



US00D671663S

(12) **United States Design Patent**  
**Matsuda et al.**

(10) **Patent No.:** **US D671,663 S**  
(45) **Date of Patent:** **\*\* Nov. 27, 2012**

(54) **LIGHT EMITTING DIODE LAMP**

(75) Inventors: **Tsugihiko Matsuda**, Kyoto (JP);  
**Yoshinori Kakuno**, Osaka (JP); **Toshio Mori**, Hyogo (JP); **Nobuyuki Mase**, Nara (JP)

(73) Assignee: **Panasonic Corporation**, Osaka (JP)

(\*\*) Term: **14 Years**

(21) Appl. No.: **29/417,025**

(22) Filed: **Mar. 29, 2012**

(30) **Foreign Application Priority Data**

Feb. 22, 2012 (JP) ..... 2012-003604  
Feb. 22, 2012 (JP) ..... 2012-003605

(51) **LOC (9) Cl.** ..... **26-04**

(52) **U.S. Cl.** ..... **D26/2**

(58) **Field of Classification Search** ..... D26/1-4;  
313/313, 315, 316, 317, 318, 493; 315/52,  
315/53, 56, 57, 58

See application file for complete search history.

(56) **References Cited**

**U.S. PATENT DOCUMENTS**

D340,295 S \* 10/1993 Beauchamp ..... D26/2  
D422,099 S \* 3/2000 Kracke ..... D26/2  
D443,703 S \* 6/2001 Sood ..... D26/2  
D549,360 S \* 8/2007 An ..... D26/2  
D550,864 S \* 9/2007 Hernandez et al. .... D26/2  
D565,755 S \* 4/2008 Uemoto et al. .... D26/24  
D629,929 S \* 12/2010 Chen et al. .... D26/2  
D646,810 S \* 10/2011 Takeuchi et al. .... D26/2  
D646,811 S \* 10/2011 Takeuchi et al. .... D26/2  
D655,024 S \* 2/2012 deBetak ..... D26/2  
D664,682 S \* 7/2012 Matsuda et al. .... D26/2

**FOREIGN PATENT DOCUMENTS**

JP D1425093 10/2011

**OTHER PUBLICATIONS**

CBS Interactive, CNET Reviews, "Acoustic Research HDP100 HDMI Powerlink System", obtained from the internet at <http://reviews.cnet.com/home-entertainment/acoustic-research-hdp100-hdmi/4505-6449\_7-33408746.html>, on Mar. 21, 2012, 3 pages.  
D-Link Corporation/D-Link Systems, Inc., "DAP-1513 Wireless N Dual Band MediaBridge", obtained from the internet at <http://www.dlink.com/products/?pid=819>, on Mar. 21, 2012, 2 pages.

\* cited by examiner

*Primary Examiner* — Marcus Jackson

(74) *Attorney, Agent, or Firm* — Brinks Hofer Gilson & Lione

(57) **CLAIM**

We claim the ornamental design for a light emitting diode lamp, as shown and described.

**DESCRIPTION**

FIG. 1 is a top perspective view of a first embodiment of a light emitting diode lamp of the present invention;  
FIG. 2 is a front view thereof;  
FIG. 3 is a rear view thereof;  
FIG. 4 is a first side view thereof;  
FIG. 5 is a second side view thereof;  
FIG. 6 is a top view thereof;  
FIG. 7 is a bottom view thereof;  
FIG. 8 is a top perspective view of a second embodiment of a light emitting diode lamp of the present invention;  
FIG. 9 is a front view thereof;  
FIG. 10 is a rear view thereof;  
FIG. 11 is a first side view thereof;  
FIG. 12 is a second side view thereof;  
FIG. 13 is a top view thereof; and,  
FIG. 14 is a bottom view thereof.

The broken lines shown represent unclaimed subject matter and form no part of the claimed design. Additionally, the unevenly broken lines in the drawings define the limits of the claimed design.

**1 Claim, 14 Drawing Sheets**

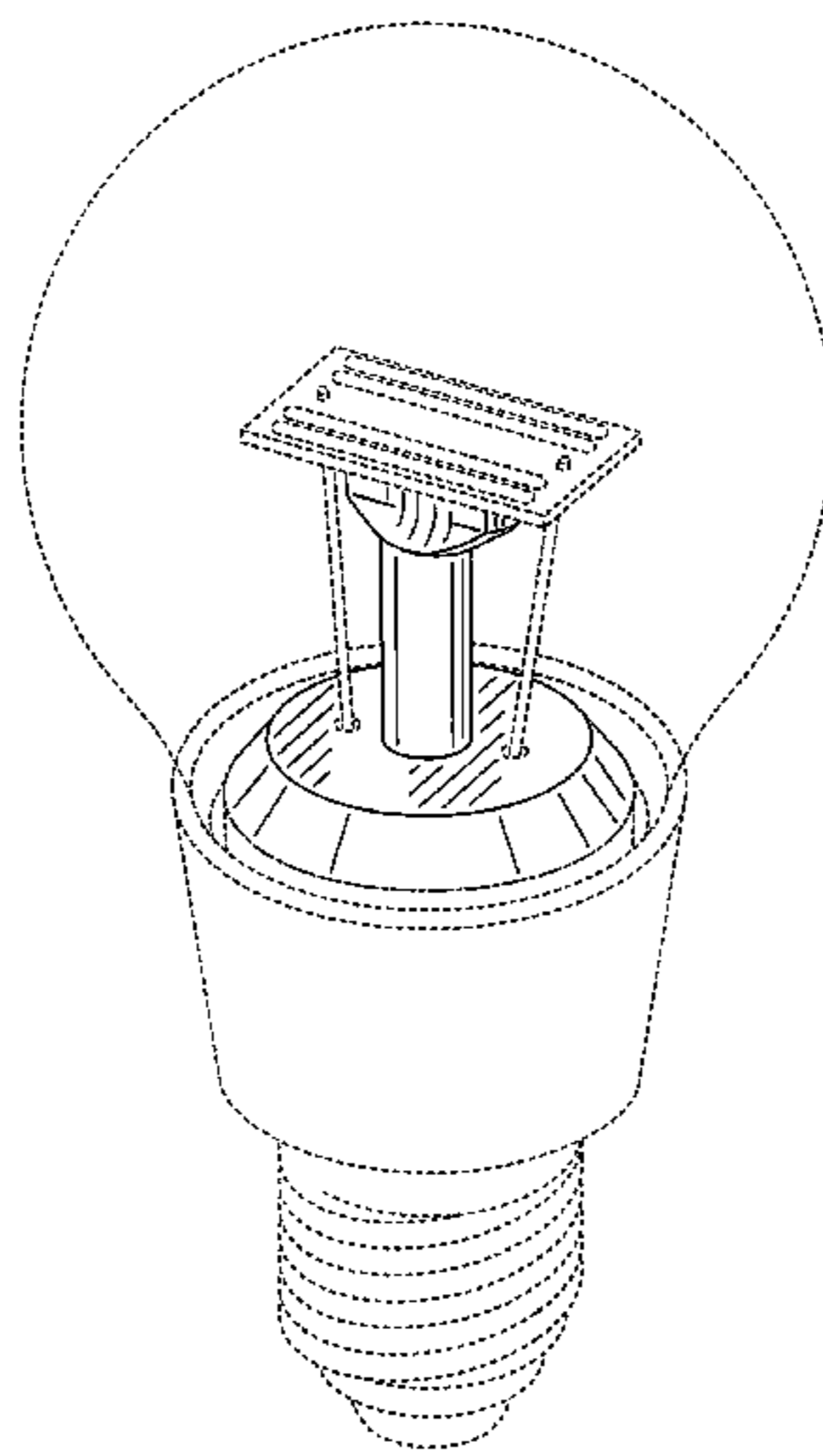


FIG.1

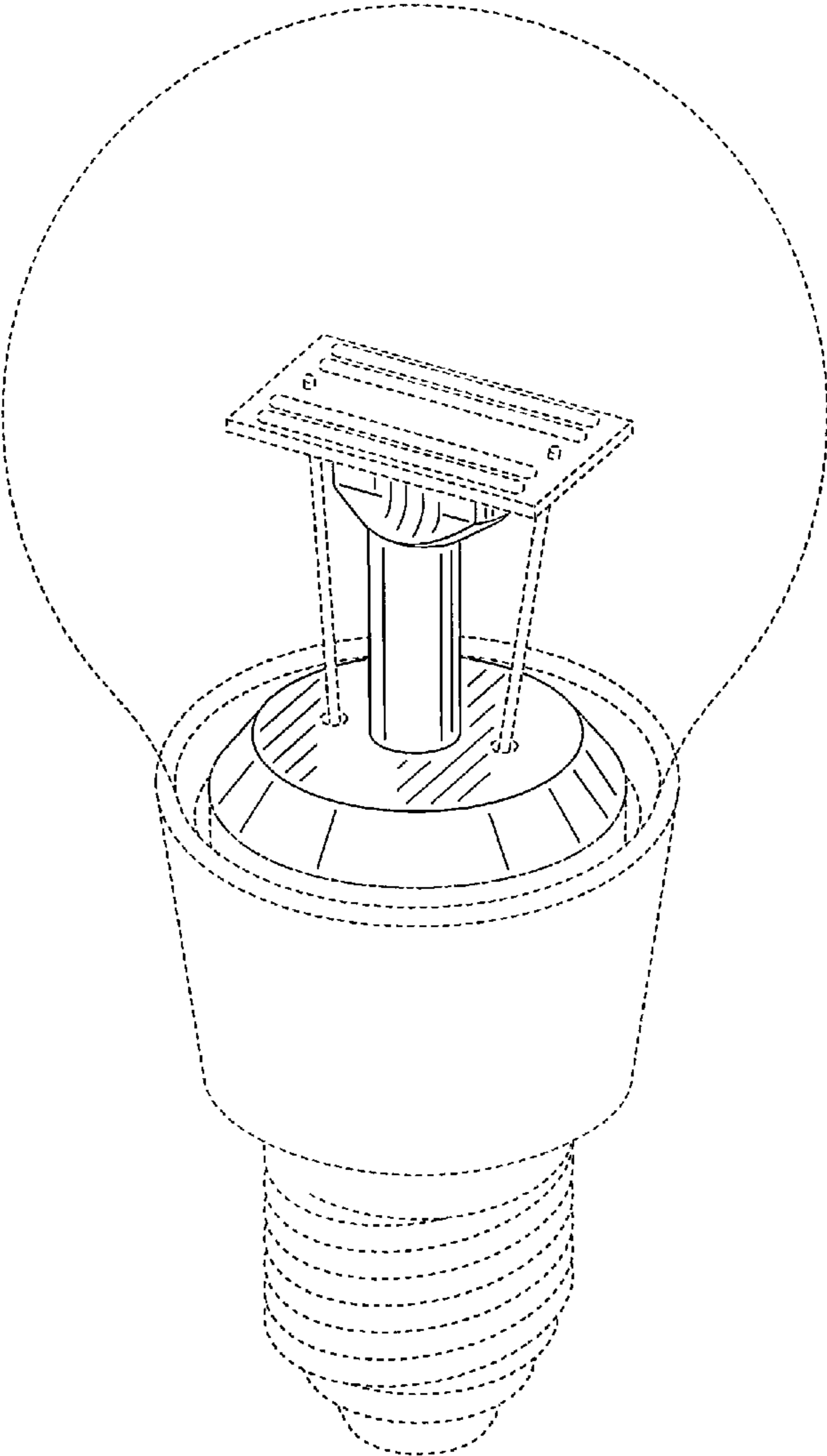


FIG.2

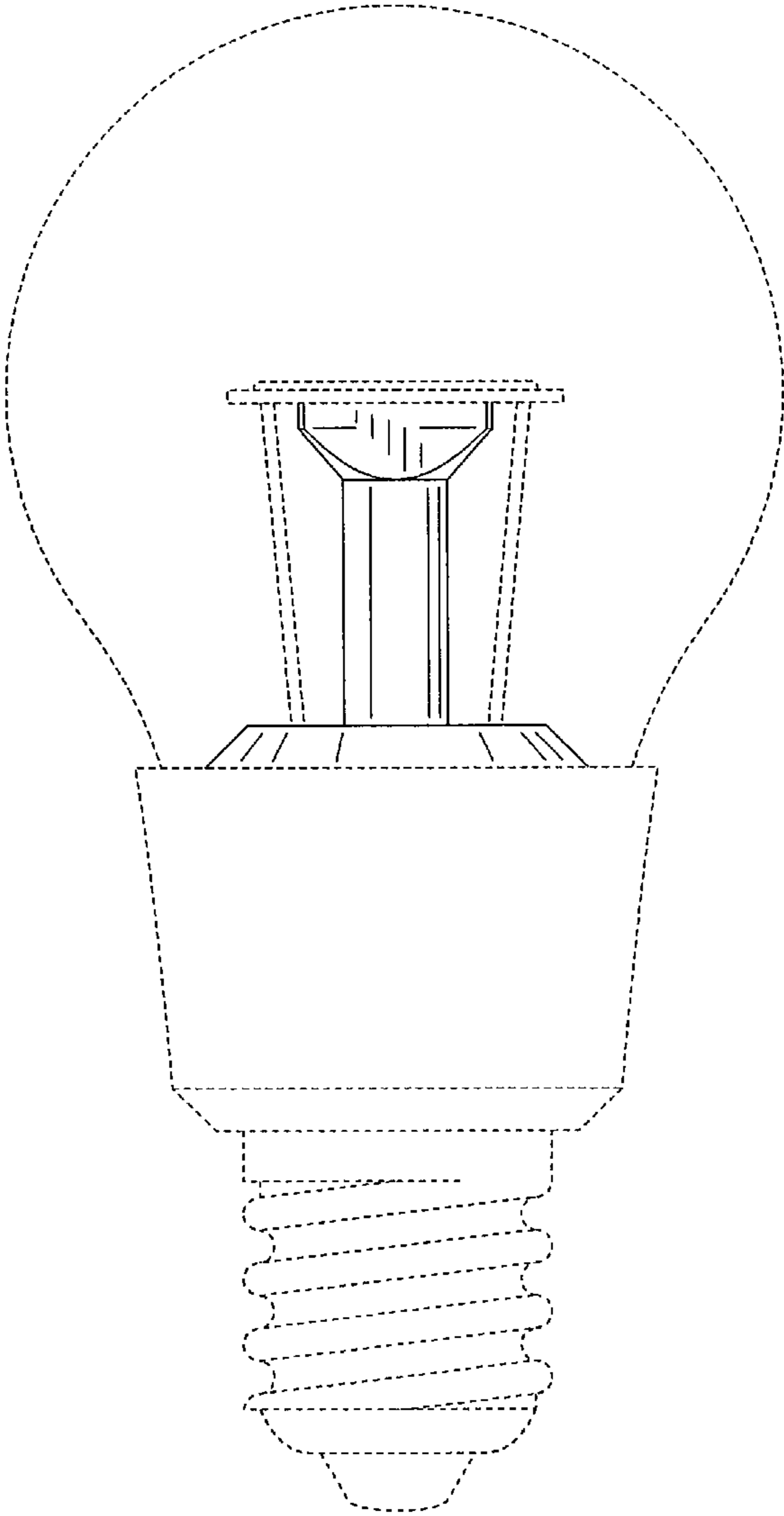


FIG.3

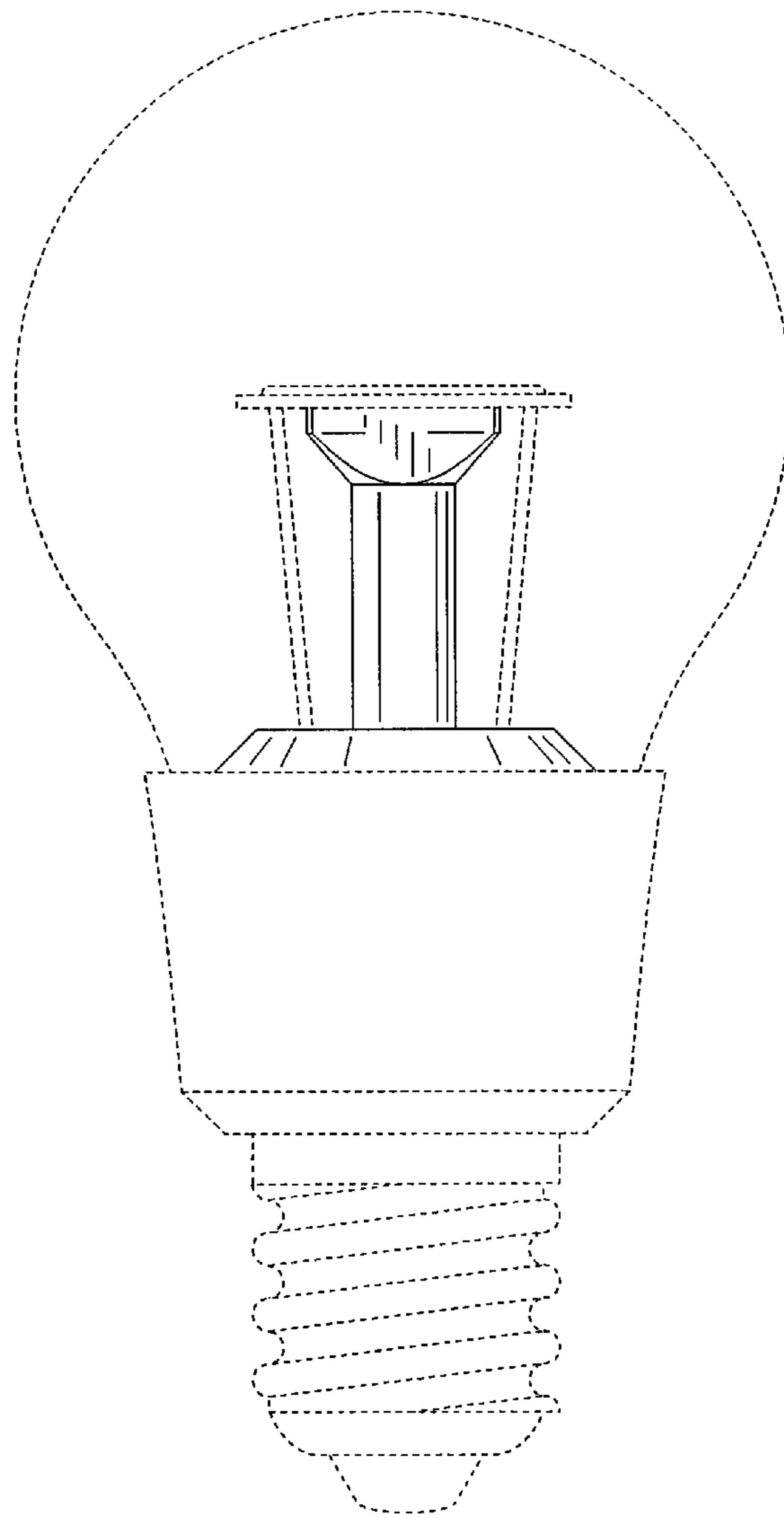


FIG.4

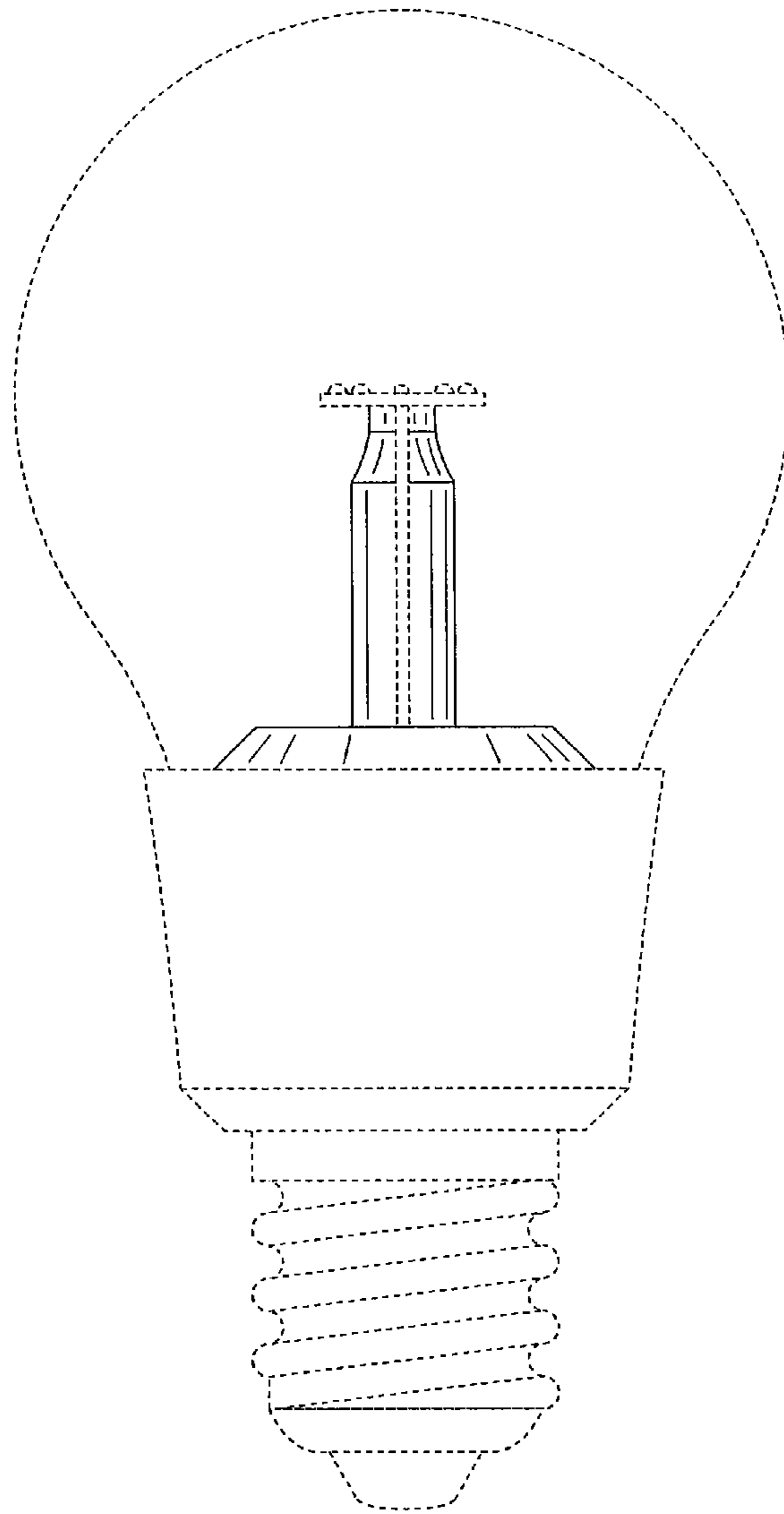


FIG.5

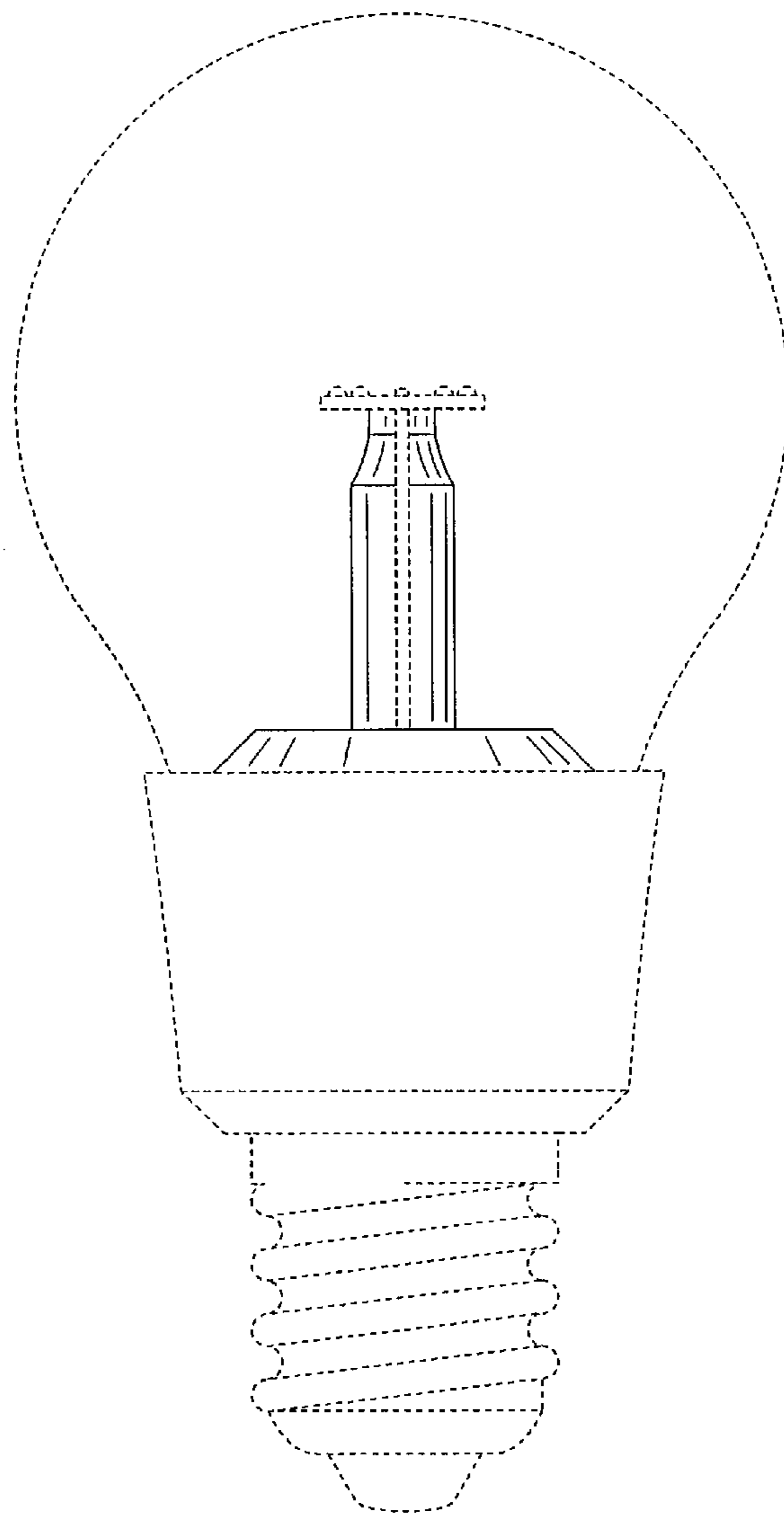


FIG.6

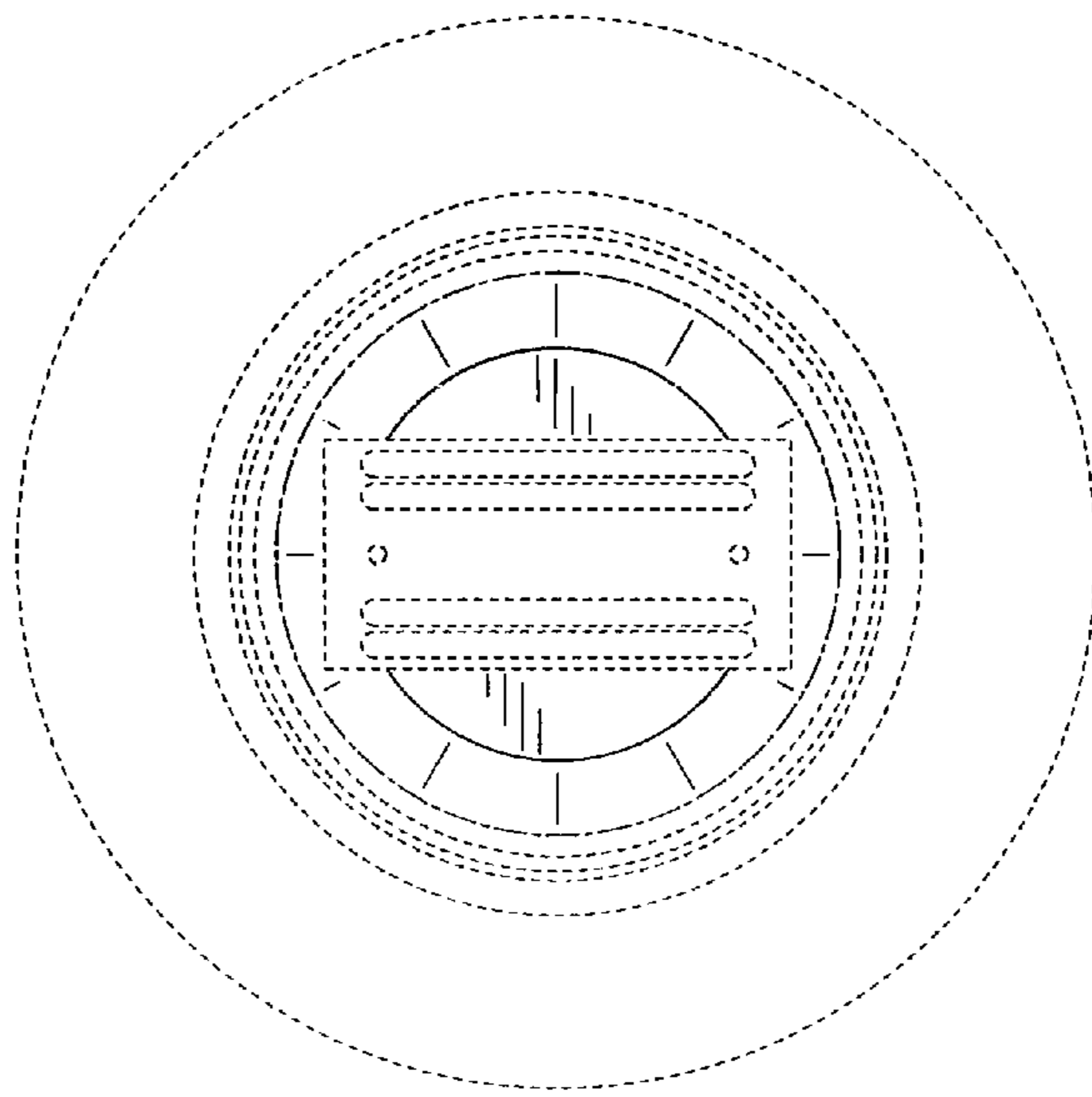


FIG.7

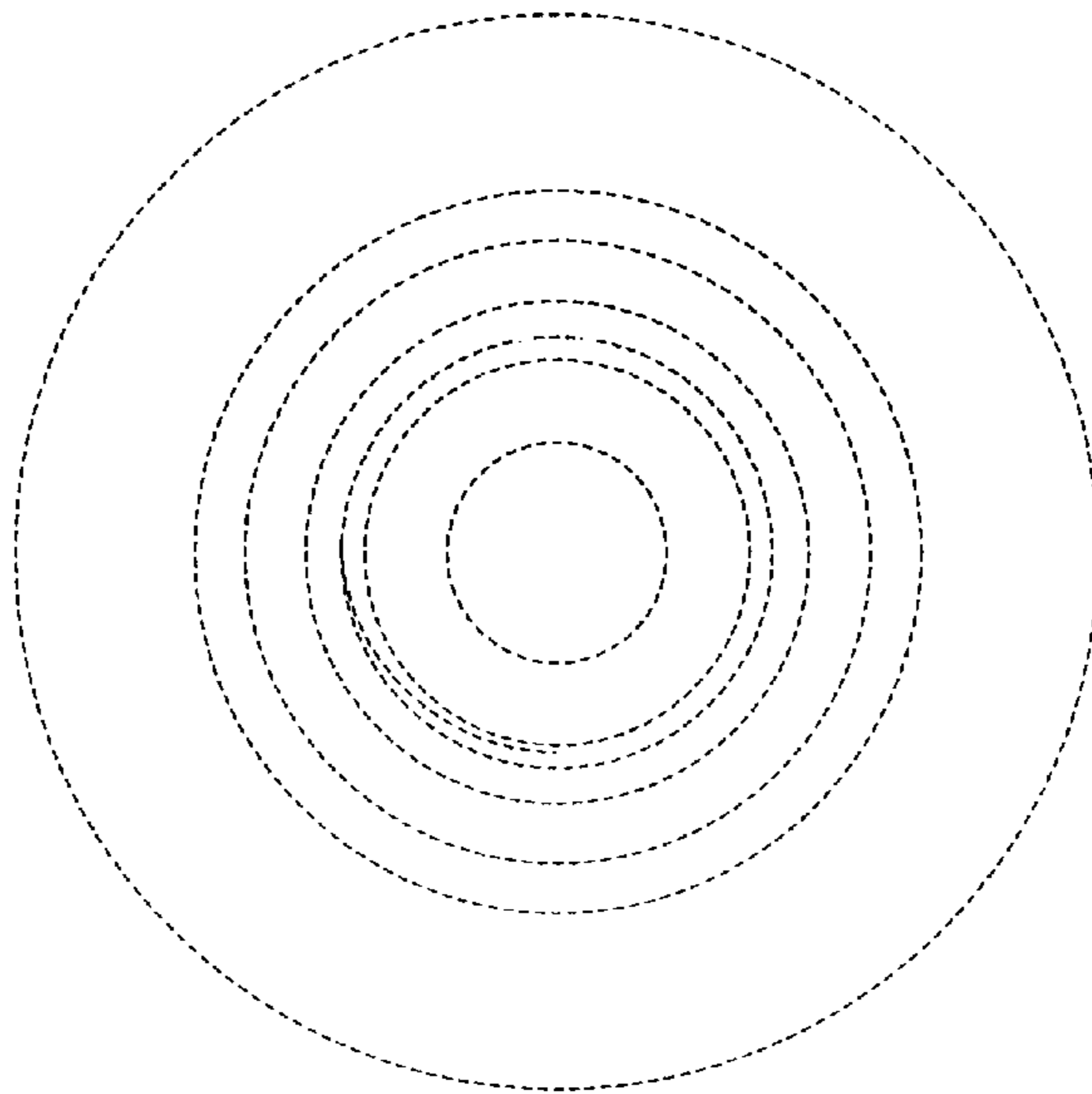




FIG.8

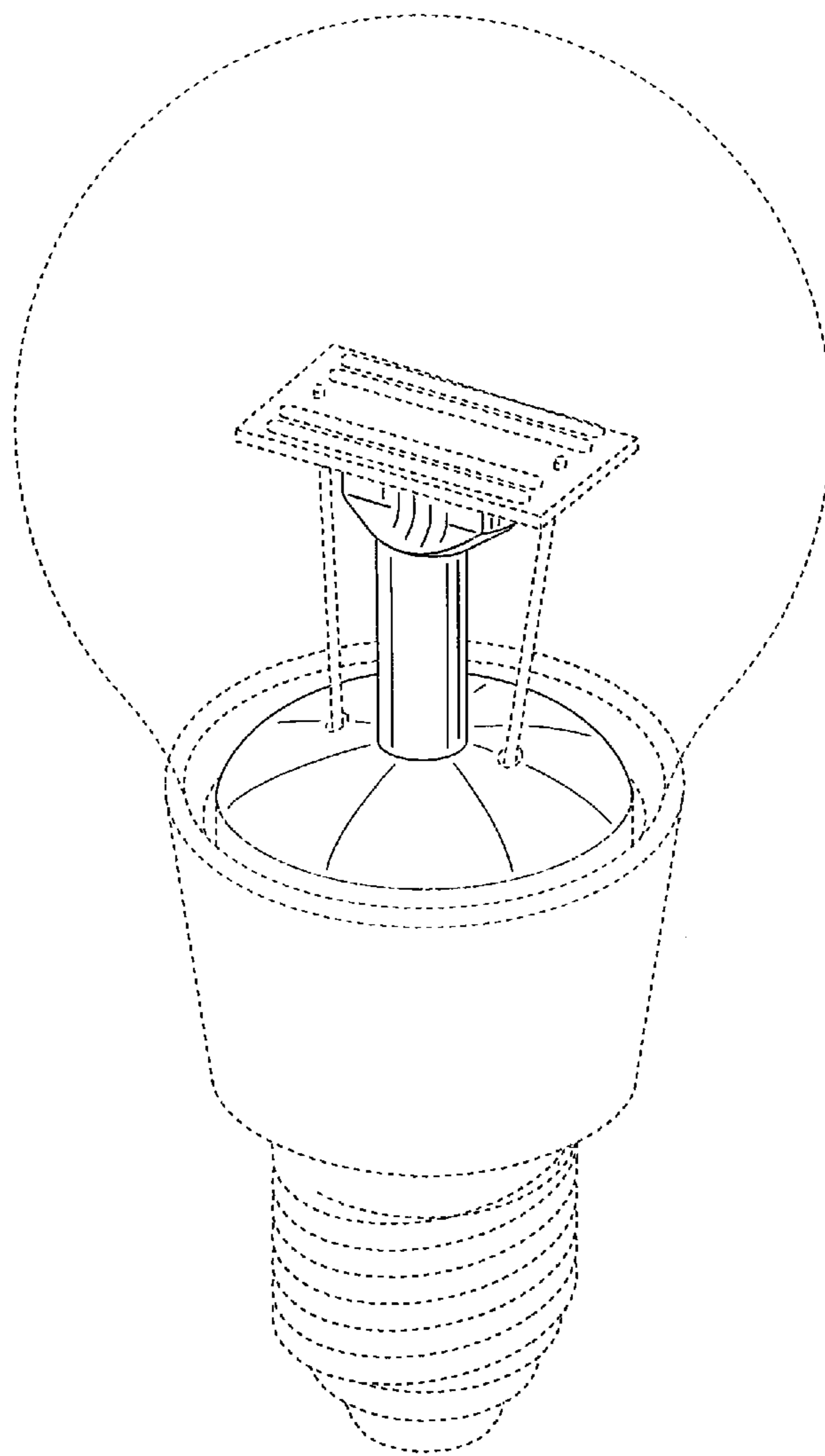


FIG.9

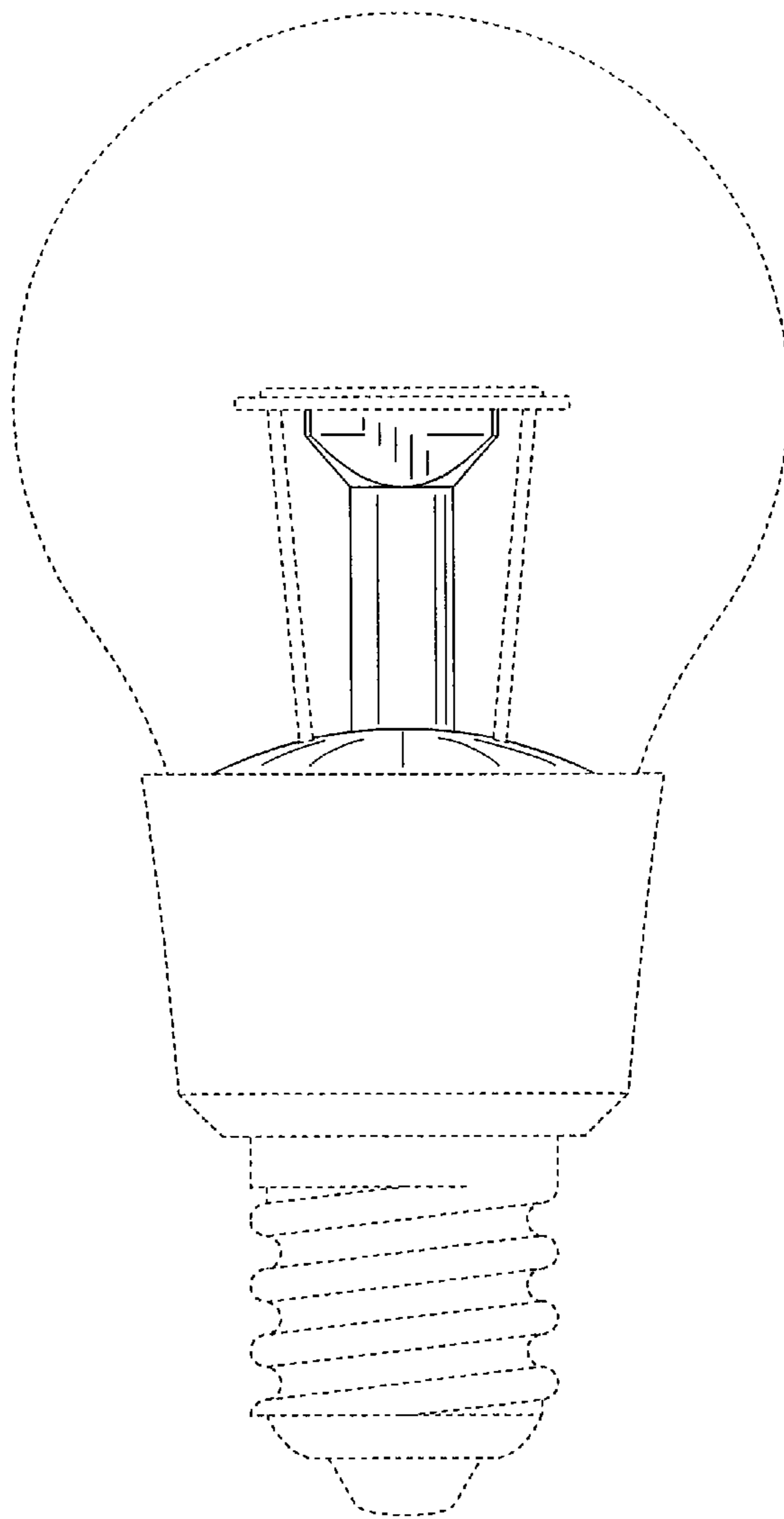


FIG.10

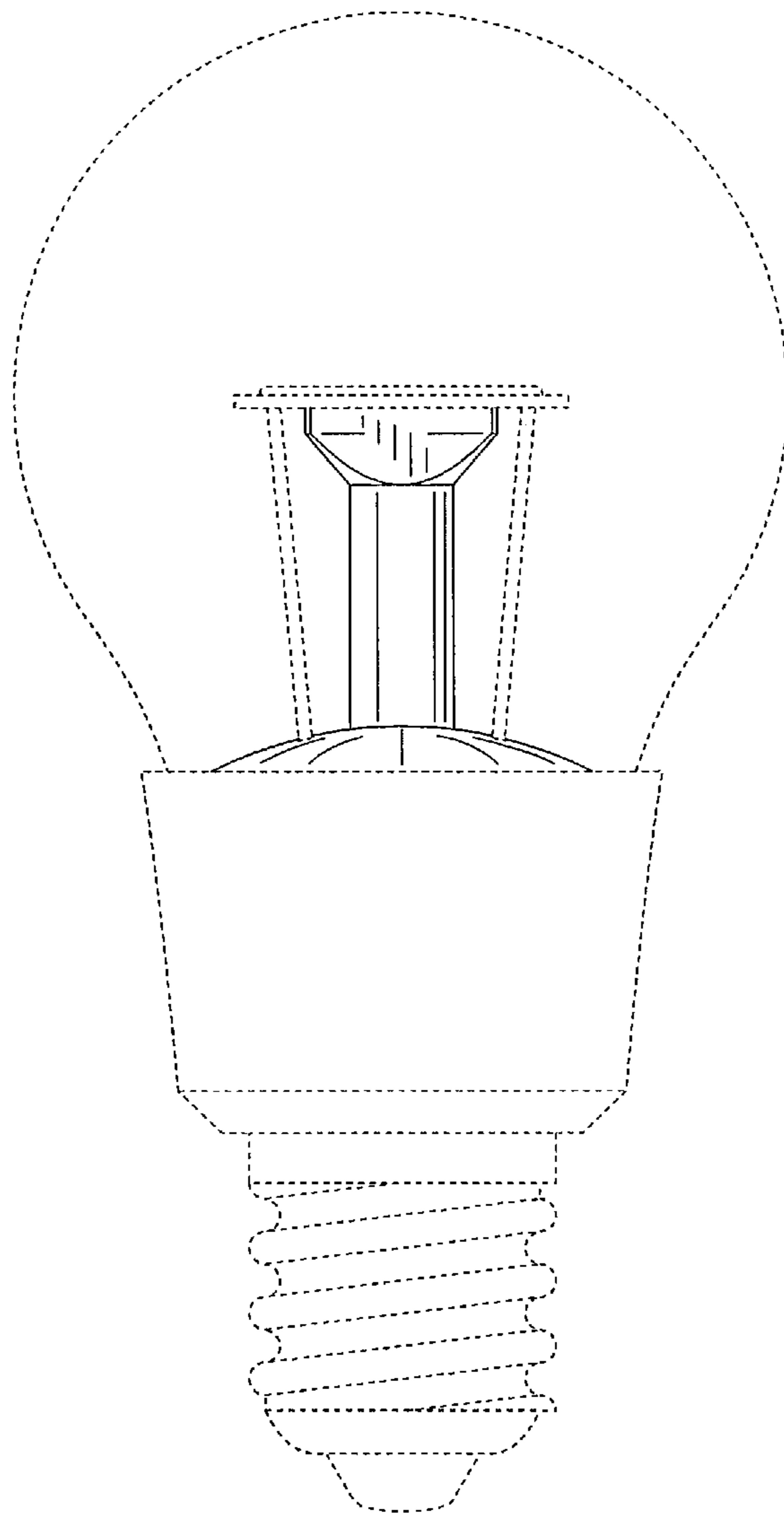


FIG.11

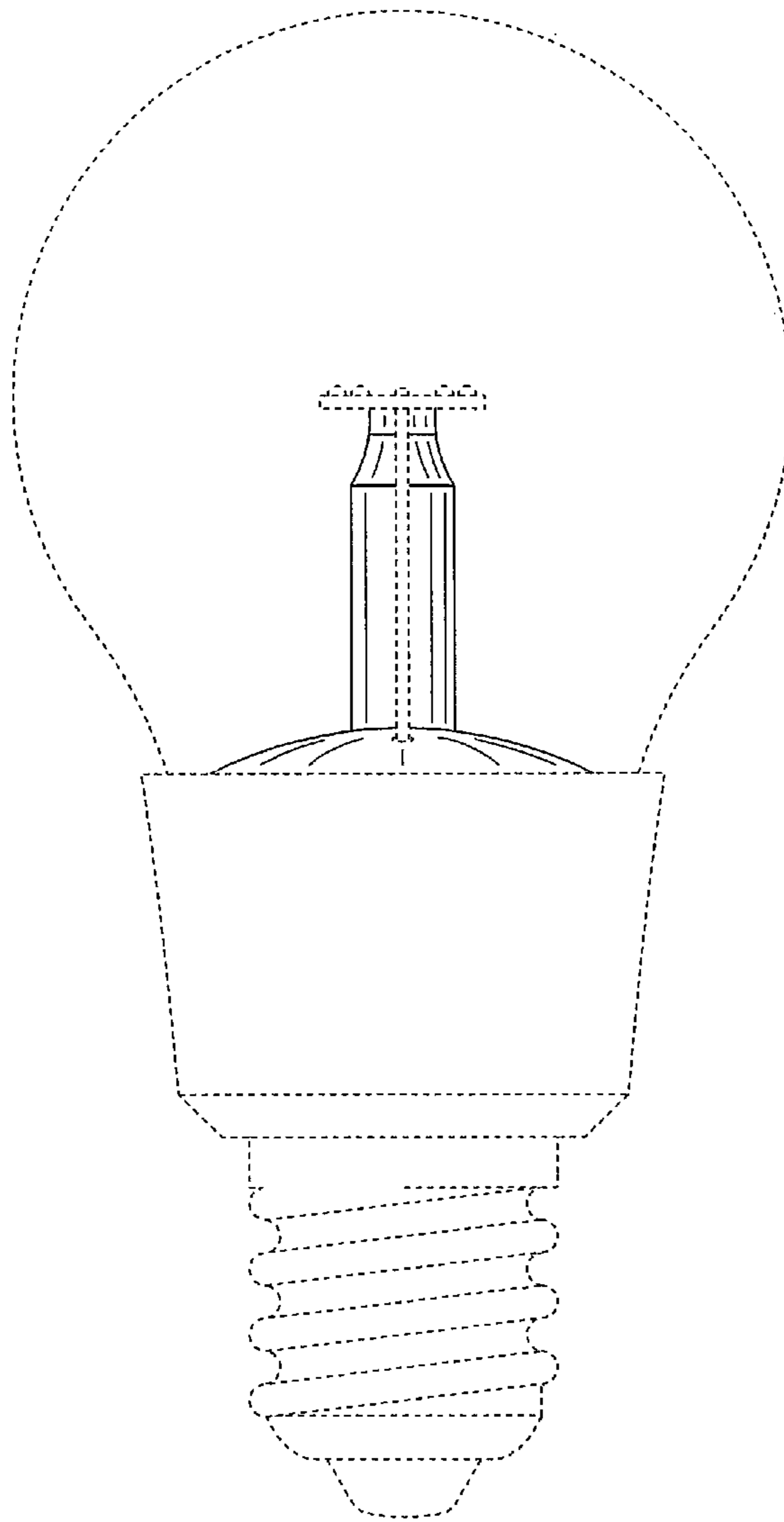


FIG.12

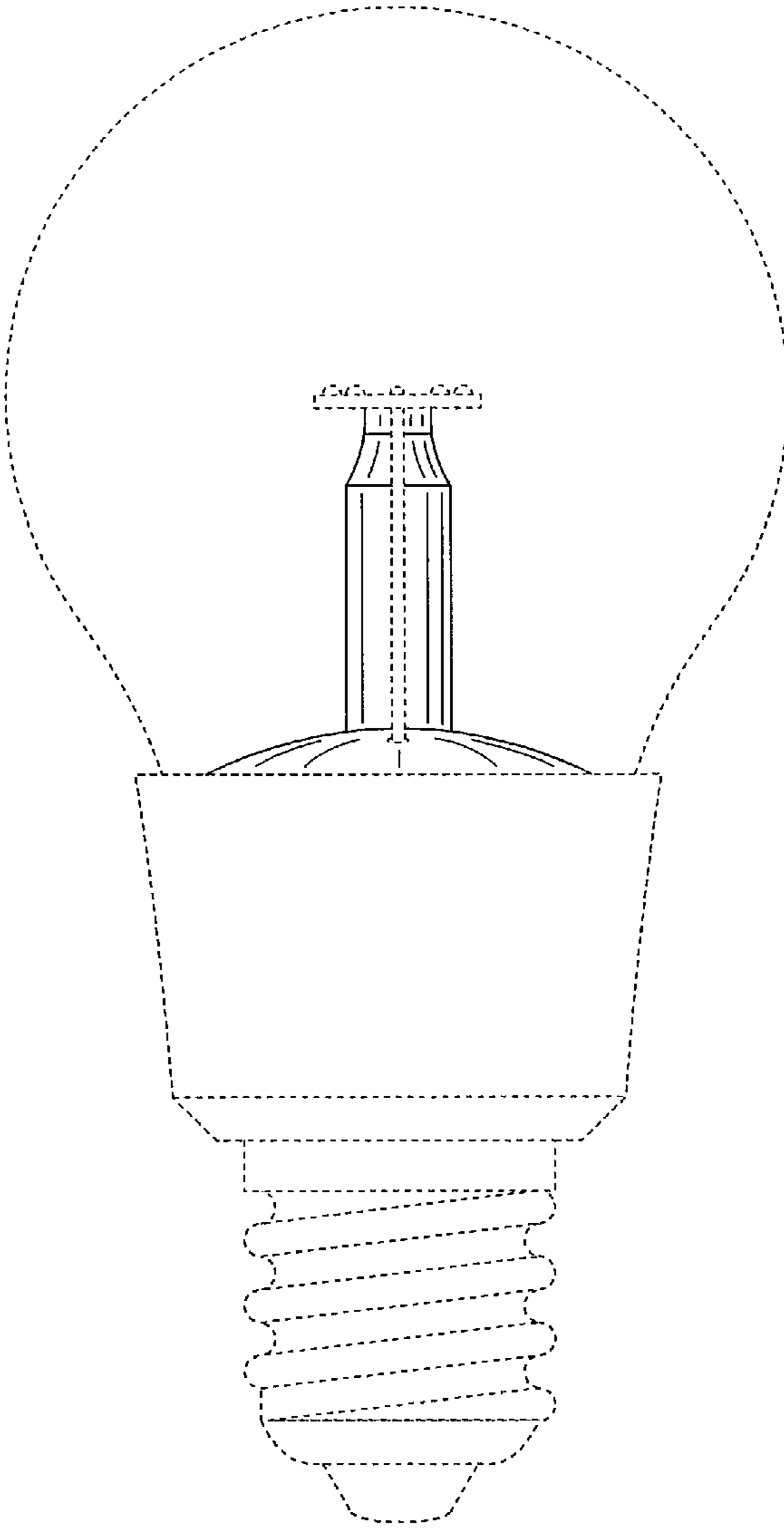


FIG.13

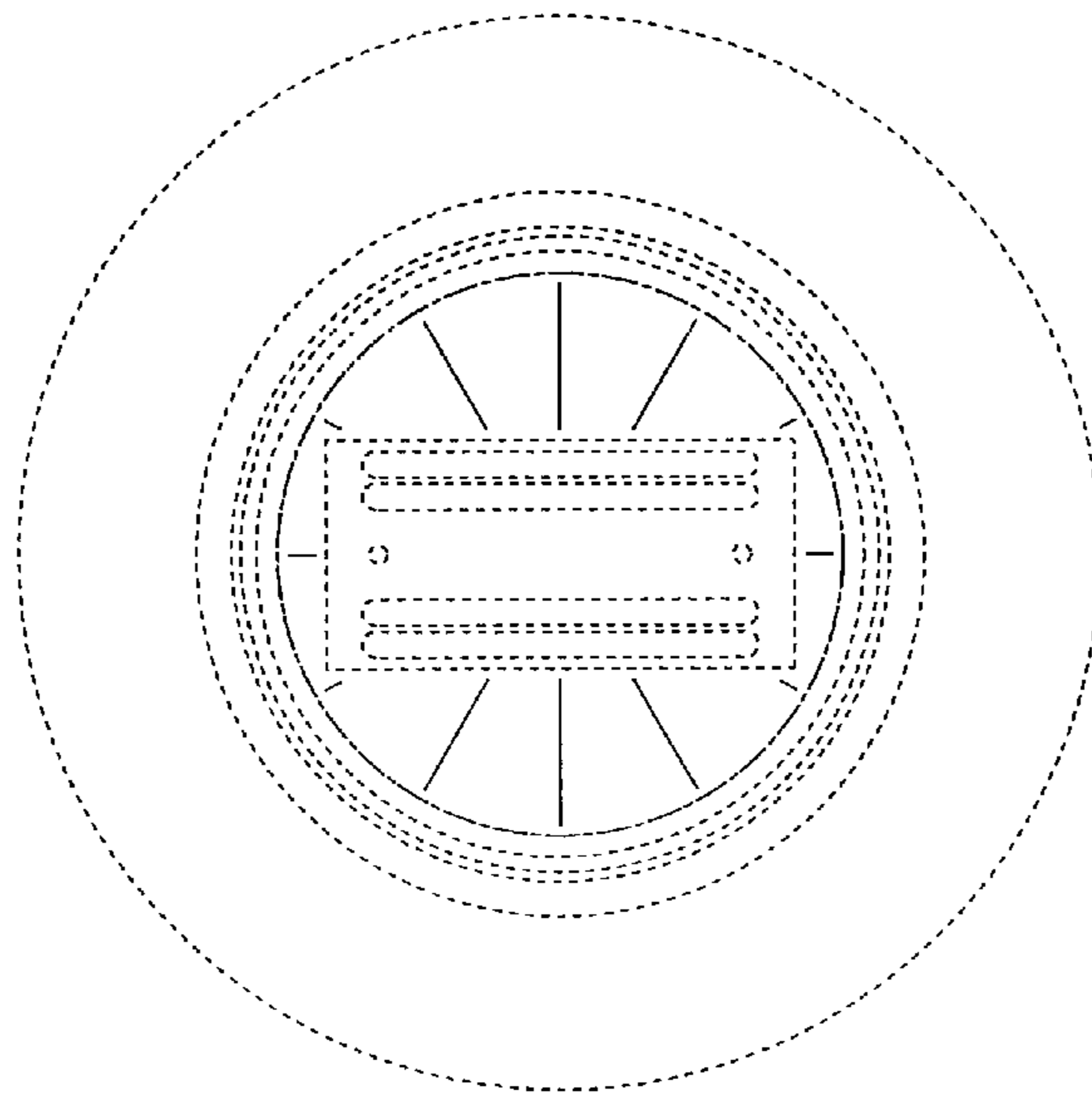


FIG.14

