

US00D671658S

(12) **United States Design Patent**
Geven

(10) **Patent No.:** **US D671,658 S**

(45) **Date of Patent:** **** Nov. 27, 2012**

(54) **EXTERIOR WALL BRACKET**

Primary Examiner — Doris Clark

(76) Inventor: **Johannes Geven**, Simcoe (CA)

(**) Term: **14 Years**

(21) Appl. No.: **29/406,668**

(22) Filed: **Nov. 17, 2011**

(30) **Foreign Application Priority Data**

Jun. 7, 2011 (CA) 140851

(51) **LOC (9) Cl.** **25-01**

(52) **U.S. Cl.** **D25/124**

(58) **Field of Classification Search** D25/122,
D25/124; 52/211, 396.1, 439, 459, 393,
52/394, 395, 396.04, 396.08, 417, 461, 465,
52/481.1, 281, 282.1; D8/384, 385, 386
See application file for complete search history.

(56) **References Cited**

U.S. PATENT DOCUMENTS

3,438,168 A * 4/1969 Tischuk 52/478
3,485,001 A * 12/1969 Miller 52/281
D432,673 S * 10/2000 Grosfillex D25/124
6,173,547 B1 * 1/2001 Lipson 52/582.1
6,505,448 B2 * 1/2003 Ito 52/474

* cited by examiner

(57) **CLAIM**

The ornamental design for an exterior wall bracket, as shown and described.

DESCRIPTION

FIG. 1 is a left side elevation view of the present design an exterior wall bracket.

FIG. 2 is a top plan view of the exterior wall bracket shown in FIG. 1.

FIG. 3 is a front elevation view of the exterior wall bracket shown in FIG. 1.

FIG. 4 is a rear elevation view of the exterior wall bracket shown in FIG. 1.

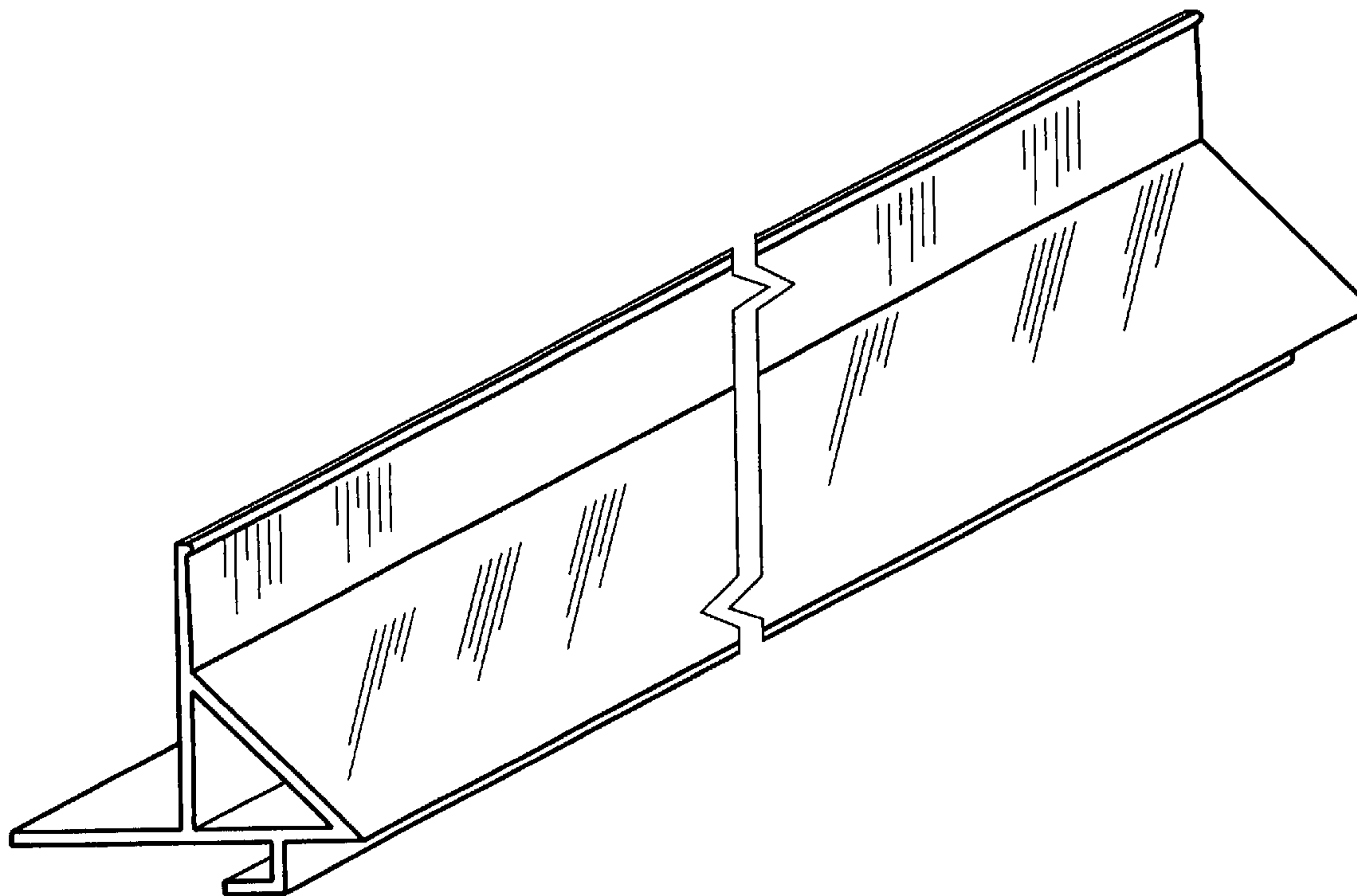
FIG. 5 is a front top left side perspective view of the exterior wall bracket shown in FIG. 1.

FIG. 6 is rear top left side perspective view of the exterior wall bracket shown in FIG. 1; and,

FIG. 7 is a front bottom left side perspective view of the exterior wall bracket shown in FIG. 1.

The parallel double zigzag lines shown in FIGS. 2 through 7 stand for the indefinite lengths of the exterior wall bracket of the present design.

1 Claim, 4 Drawing Sheets



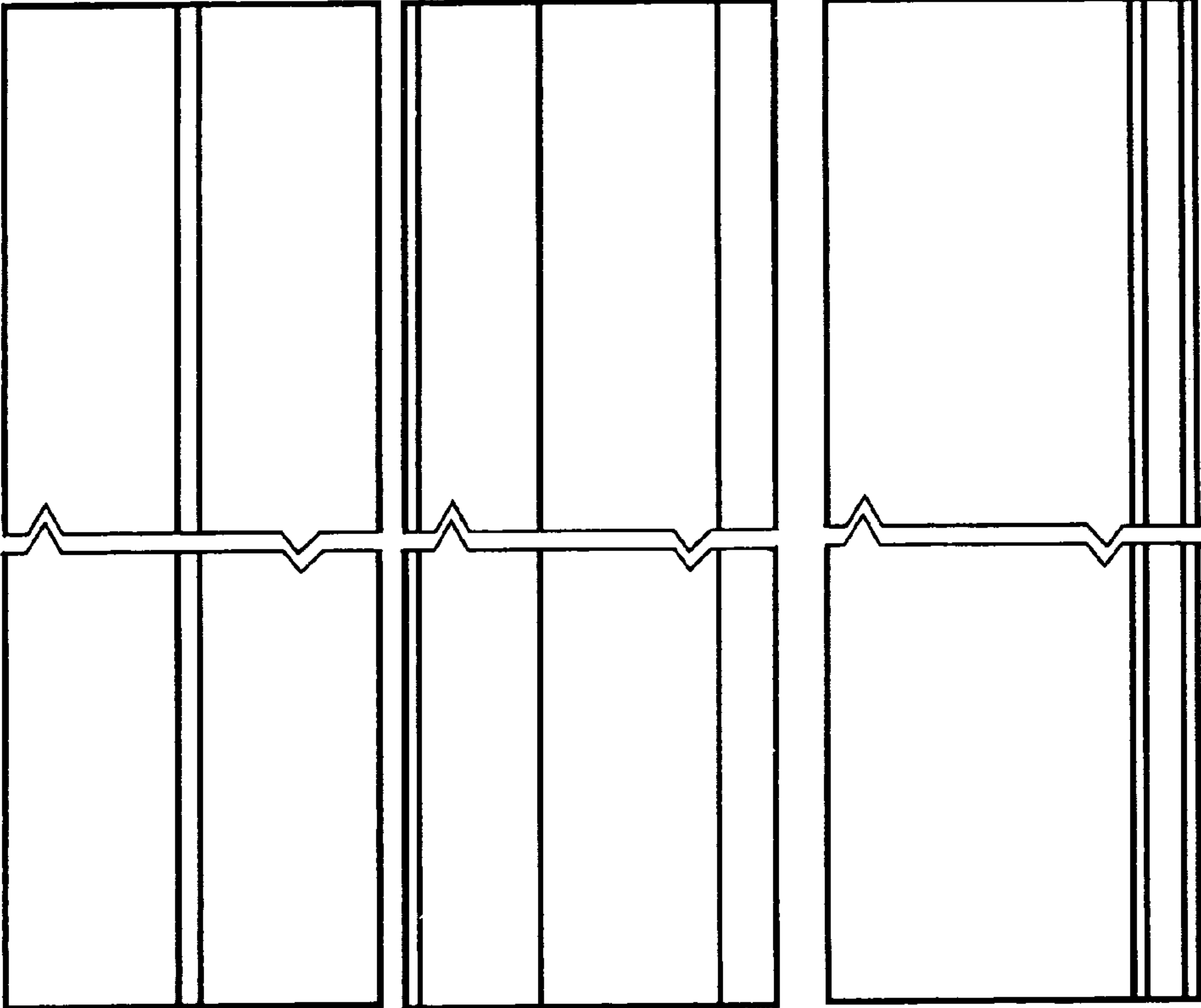


Fig.-2

Fig.-3

Fig.-4

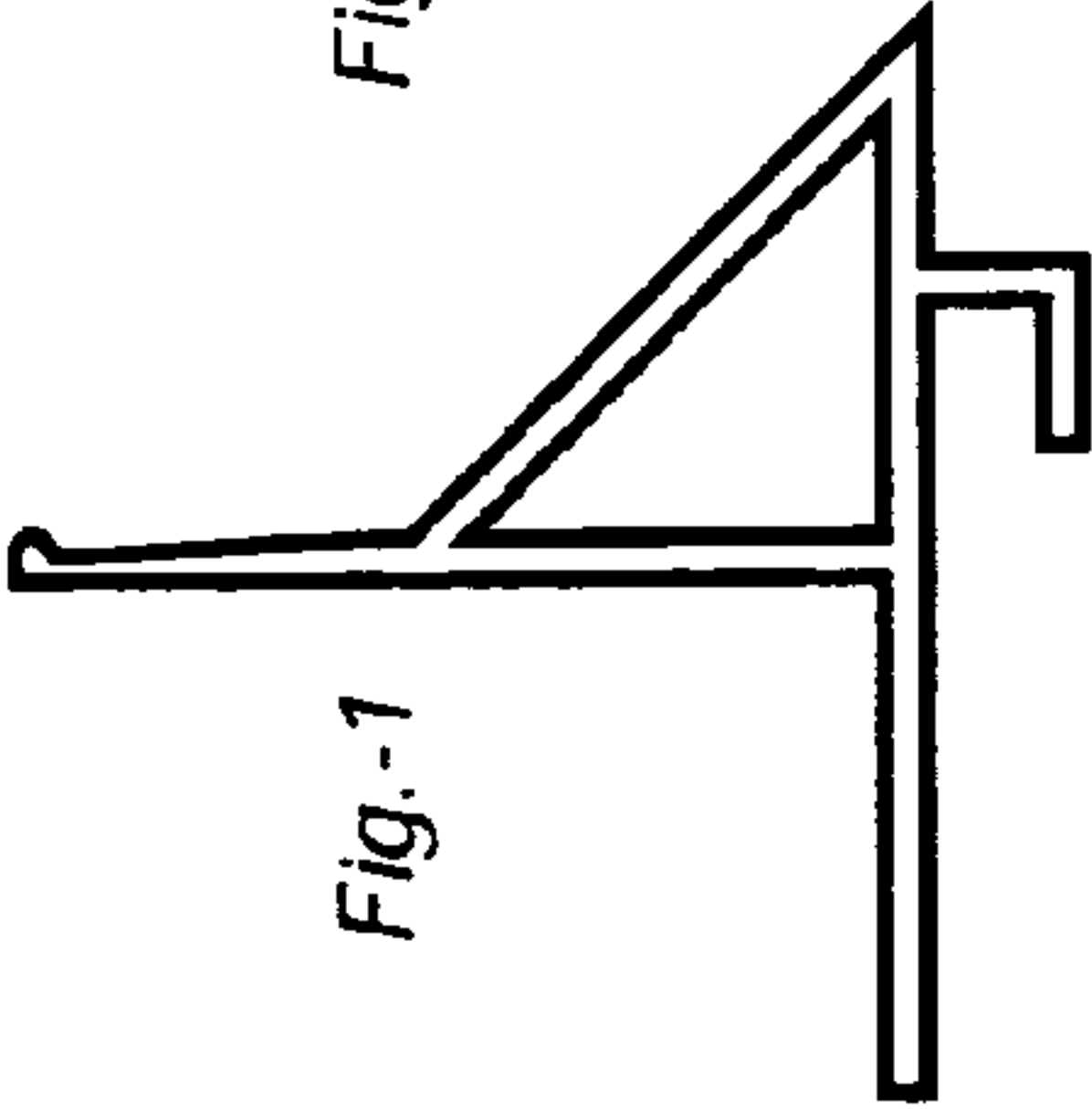


Fig.-1

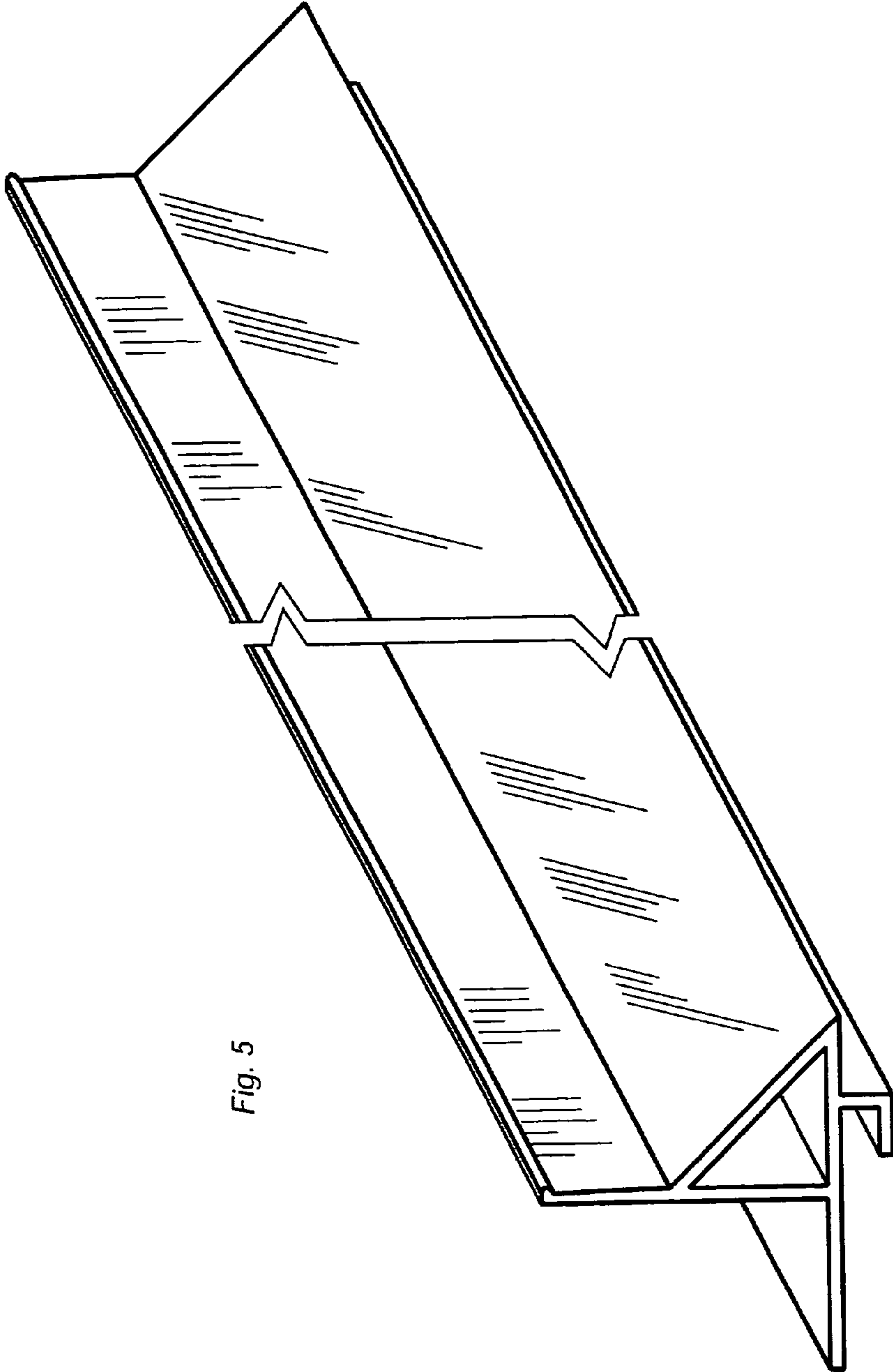


Fig. 5

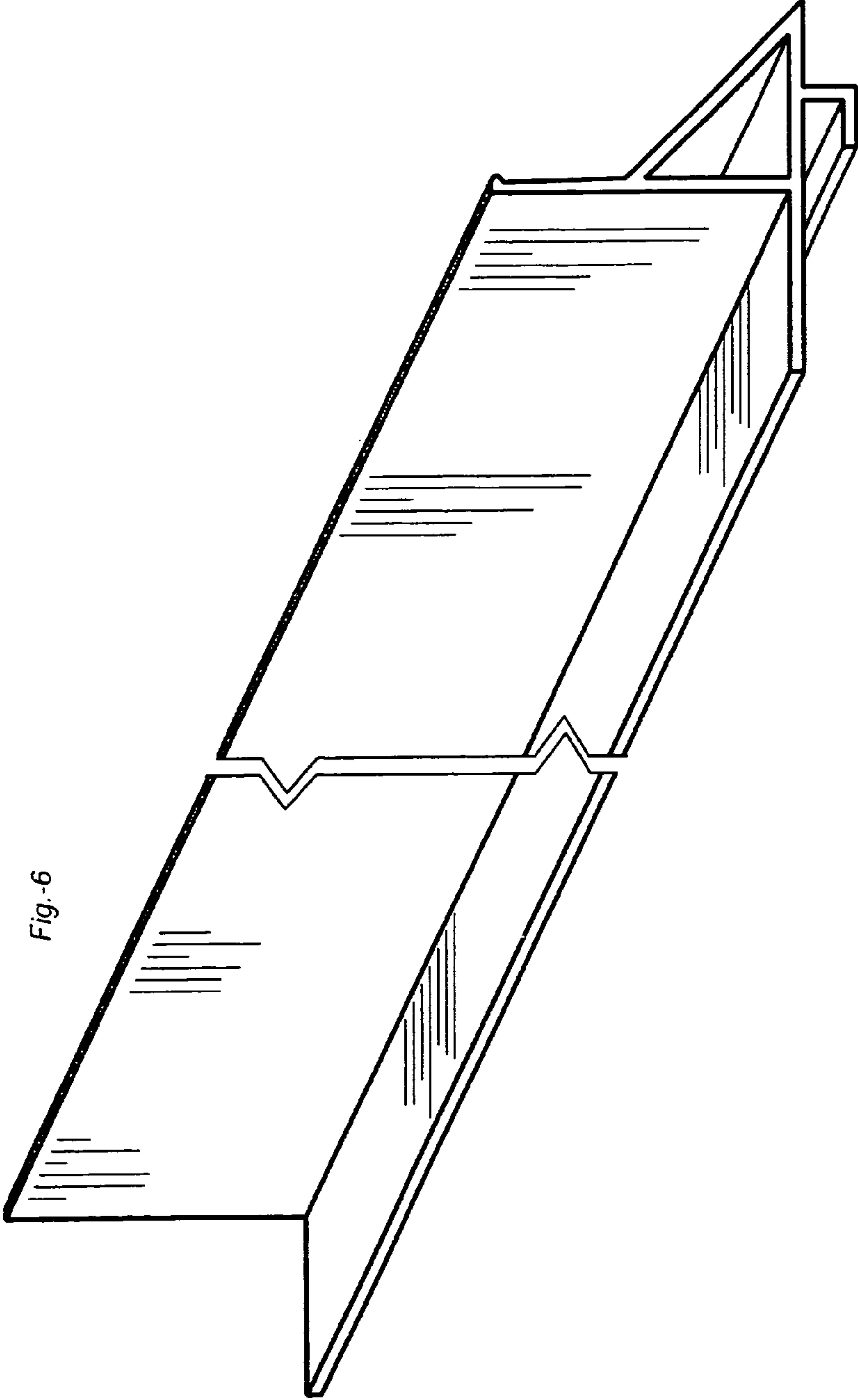


Fig.-6

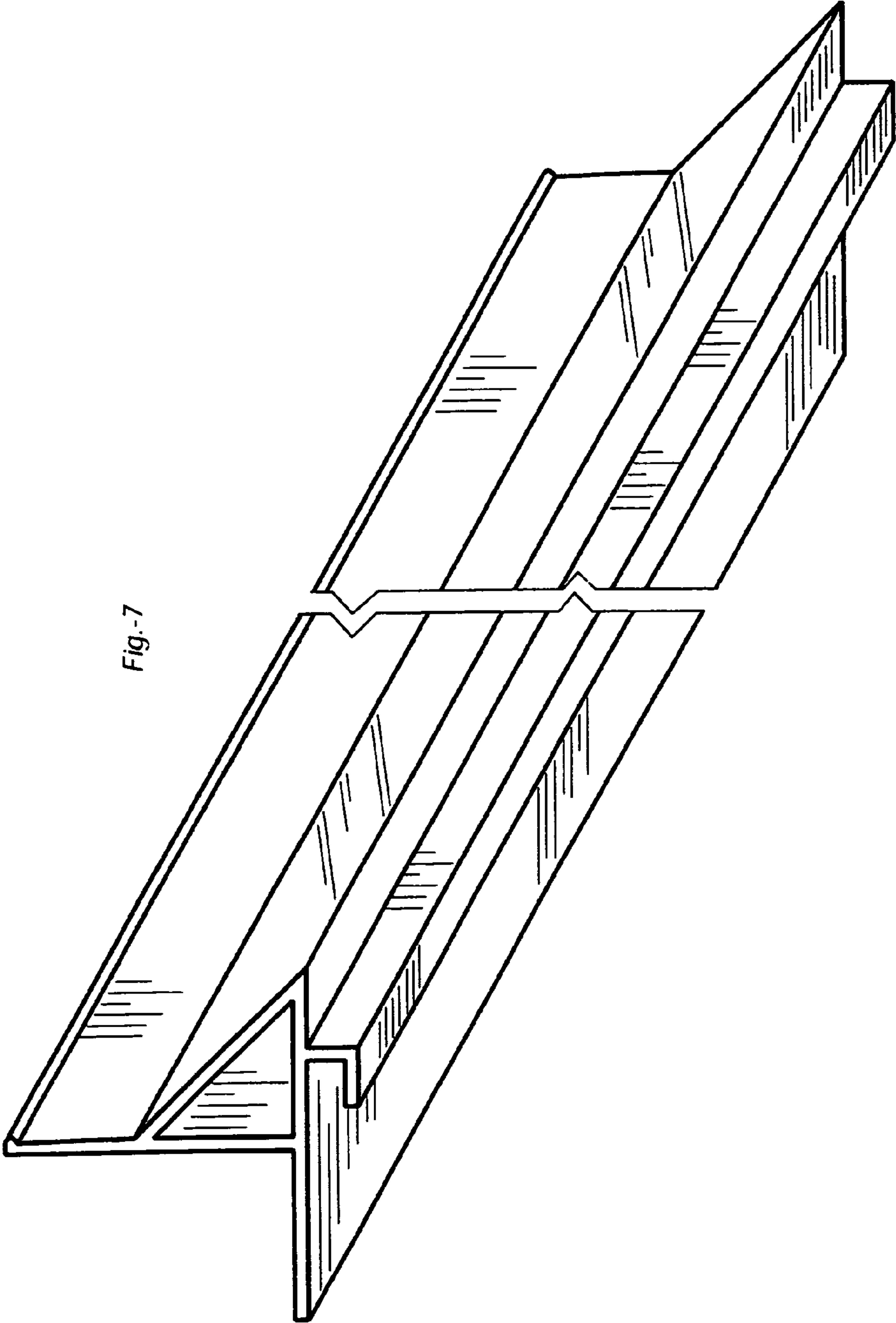


Fig.-7