



US00D671657S

(12) **United States Design Patent**
MacDonald

(10) **Patent No.:** **US D671,657 S**

(45) **Date of Patent:** **** Nov. 27, 2012**

(54) **LANDSCAPING BLOCK**

(75) **Inventor:** **Robert A. MacDonald**, Plymouth, MN (US)

(73) **Assignee:** **Keystone Retaining Wall Systems, Inc.**, Bloomington, MN (US)

(**) **Term:** **14 Years**

(21) **Appl. No.:** **29/404,851**

(22) **Filed:** **Oct. 26, 2011**

Related U.S. Application Data

(62) Division of application No. 29/366,124, filed on Jul. 20, 2010.

(51) **LOC (9) Cl.** **25-01**

(52) **U.S. Cl.** **D25/113**

(58) **Field of Classification Search** D25/102-118, D25/136, 138, 140, 151, 152, 153, 156-162, D25/164; D21/484-491, 499-504; 405/16, 405/284, 286; 52/503-505, 574, 575, 596-612; 404/27-42

See application file for complete search history.

(56) **References Cited**

U.S. PATENT DOCUMENTS

| | | |
|-------------|---------|------------------|
| D296,007 S | 5/1988 | Forsberg |
| D301,064 S | 5/1989 | Forsberg |
| 4,920,712 A | 5/1990 | Dean, Jr. |
| D319,885 S | 9/1991 | Blomquist et al. |
| D321,060 S | 10/1991 | Blomquist et al. |
| 5,062,610 A | 11/1991 | Woolford et al. |
| 5,161,918 A | 11/1992 | Hodel |
| 5,214,898 A | 6/1993 | Beretta |
| 5,252,017 A | 10/1993 | Hodel |
| D341,215 S | 11/1993 | Blomquist et al. |
| D346,667 S | 5/1994 | Blomquist et al. |
| D347,070 S | 5/1994 | Anderson et al. |
| D350,402 S | 9/1994 | Pribyl et al. |
| D352,789 S | 11/1994 | Adam |
| D363,787 S | 10/1995 | Powell |
| 5,507,599 A | 4/1996 | Anderson et al. |
| 5,568,994 A | 10/1996 | Dawson |
| 5,601,384 A | 2/1997 | Dawson |

| | | |
|-------------|---------|-------------------|
| 5,619,835 A | 4/1997 | Bailey, II et al. |
| 5,624,211 A | 4/1997 | Anderson et al. |
| D380,560 S | 7/1997 | Forsberg |
| D381,086 S | 7/1997 | Forsberg |
| D384,168 S | 9/1997 | Stevenson |
| D387,434 S | 12/1997 | Dawson |
| 5,707,184 A | 1/1998 | Anderson et al. |
| D391,376 S | 2/1998 | Strand et al. |
| D397,230 S | 8/1998 | Forsberg |
| D397,451 S | 8/1998 | Stevenson |
| D397,808 S | 9/1998 | Dawson |
| 5,827,015 A | 10/1998 | Woolford et al. |
| 5,865,006 A | 2/1999 | Dawson |
| 5,913,790 A | 6/1999 | Dawson |
| 5,941,042 A | 8/1999 | Dueck |
| 5,984,589 A | 11/1999 | Ciccarello |
| 6,019,550 A | 2/2000 | Wrigley et al. |
| 6,035,599 A | 3/2000 | Sonnentag |
| D429,004 S | 8/2000 | Strand et al. |

(Continued)

Primary Examiner — Anhdao Doan

(74) *Attorney, Agent, or Firm* — Popovich, Wiles & O'Connell, P.A.

(57) **CLAIM**

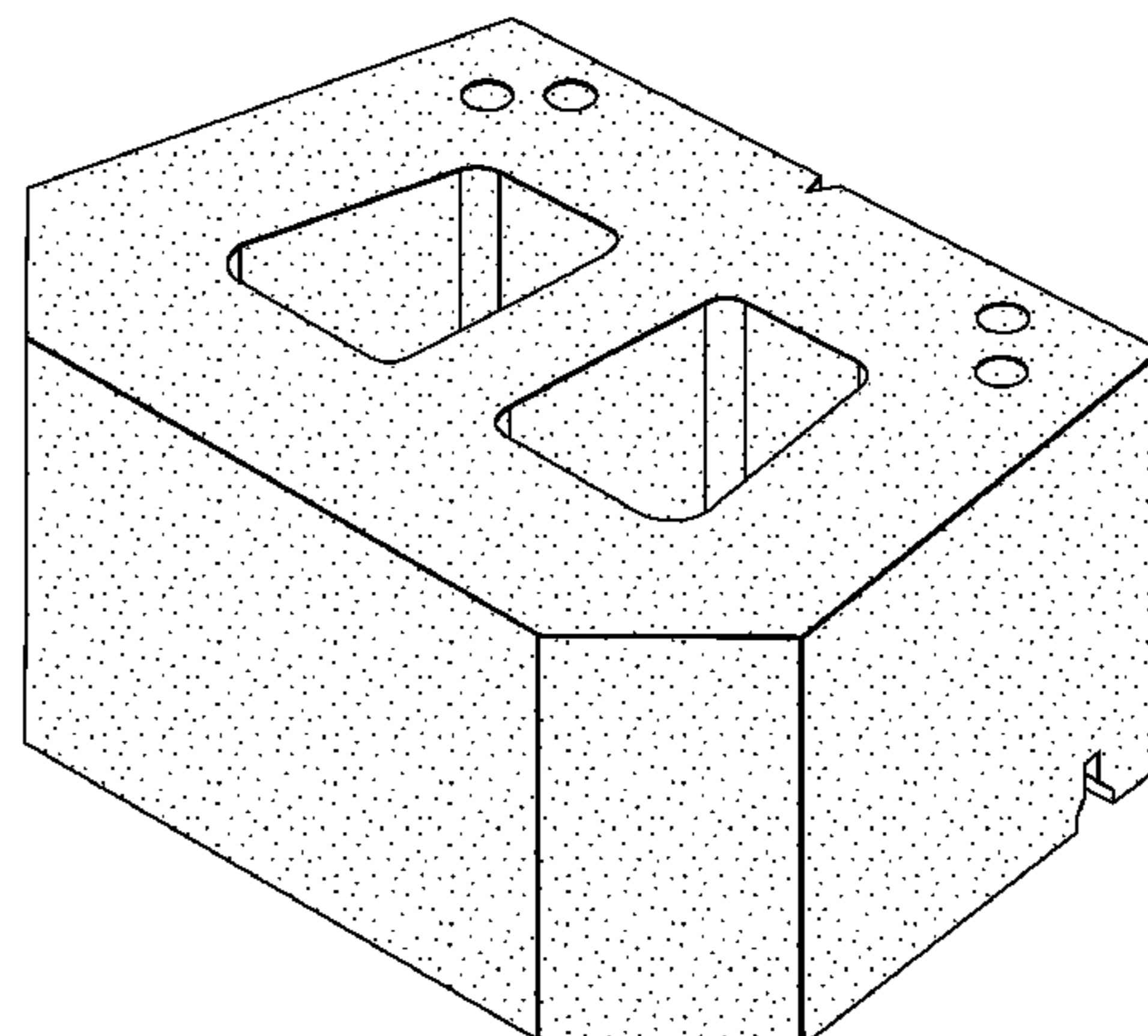
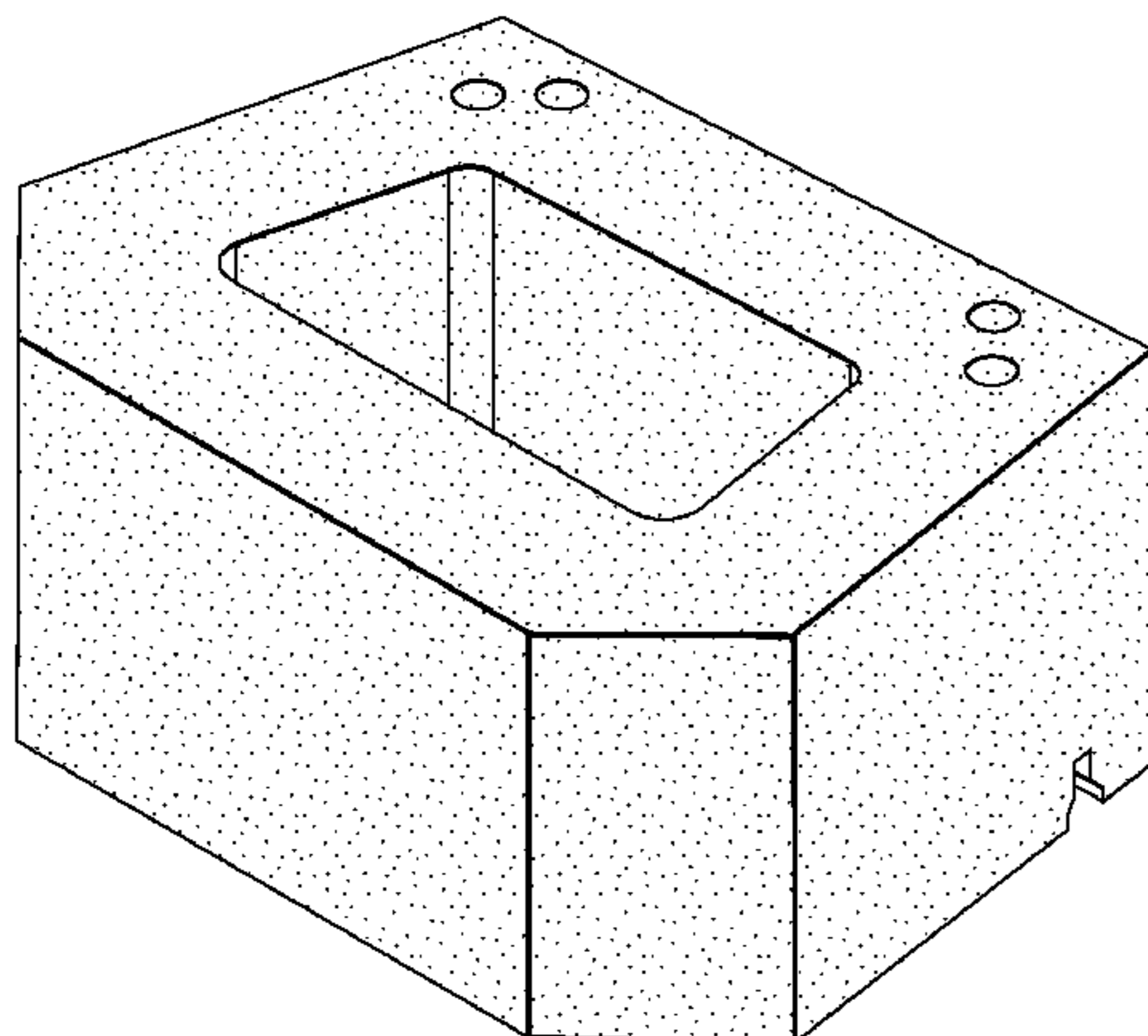
The ornamental design for a landscaping block, as shown and described.

DESCRIPTION

FIG. 1 is a front perspective view of a first embodiment of a landscaping block;
 FIG. 2 is a top plan view thereof;
 FIG. 3 is a bottom plan view thereof;
 FIG. 4 is a left side elevational view thereof;
 FIG. 5 is a right side elevational view thereof;
 FIG. 6 is a rear elevational view thereof;
 FIG. 7 is a front elevational view thereof;
 FIG. 8 is a front perspective view of a second embodiment of a landscaping block;
 FIG. 9 is a top plan view thereof;
 FIG. 10 is a bottom plan view thereof;
 FIG. 11 is a left side elevational view thereof;
 FIG. 12 is a right side elevational view thereof;
 FIG. 13 is a rear elevational view thereof; and,
 FIG. 14 is a front elevational view thereof.

The portions of the landscaping block shown in broken lines form no part of the claimed design.

1 Claim, 14 Drawing Sheets



US D671,657 S

Page 2

U.S. PATENT DOCUMENTS

| | | | | | | | |
|----------------|---------|---------------------|---------|-------------------|---------|--------------------|--|
| D430,308 S | 8/2000 | Dawson | | D551,361 S | 9/2007 | Price | |
| D433,158 S | 10/2000 | Hammer | | D556,919 S | 12/2007 | Price | |
| 6,149,352 A | 11/2000 | MacDonald | | 7,328,537 B2 | 2/2008 | Hammer | |
| D435,917 S | 1/2001 | Hammer | | 7,360,970 B2 | 4/2008 | Woolford et al. | |
| 6,168,354 B1 | 1/2001 | Martin et al. | | 7,448,830 B2 | 11/2008 | MacDonald et al. | |
| D439,678 S | 3/2001 | Blomquist et al. | | 7,641,178 B2 | 1/2010 | MacDonald et al. | |
| D458,387 S | 6/2002 | Blomquist et al. | | D610,710 S | 2/2010 | LaCroix et al. | |
| D464,149 S * | 10/2002 | Risi et al. | D25/113 | 7,654,776 B2 | 2/2010 | MacDonald et al. | |
| D466,228 S | 11/2002 | Hammer | | D615,669 S | 5/2010 | Caggiano | |
| 6,474,036 B2 | 11/2002 | Martin et al. | | D620,135 S | 7/2010 | Adam | |
| D467,009 S | 12/2002 | Agee | | D620,615 S | 7/2010 | MacDonald et al. | |
| 6,488,448 B1 | 12/2002 | Strand et al. | | D621,070 S | 8/2010 | MacDonald et al. | |
| 6,527,483 B1 | 3/2003 | Agee | | 7,780,141 B2 | 8/2010 | Dawson et al. | |
| 6,536,994 B2 | 3/2003 | Race | | 7,934,351 B2 | 5/2011 | Clarno | |
| D479,003 S | 8/2003 | Nordstrand | | 7,971,407 B2 | 7/2011 | MacDonald | |
| 6,615,561 B2 | 9/2003 | MacDonald et al. | | D645,575 S | 9/2011 | Bone | |
| 6,622,445 B1 | 9/2003 | Shillingburg et al. | | 2002/0001509 A1 | 1/2002 | Hong | |
| D485,371 S | 1/2004 | Burgess et al. | | 2005/0102949 A1 | 5/2005 | Whitson | |
| 6,701,687 B1 | 3/2004 | Shillingburg | | 2006/0110223 A1 | 5/2006 | Dawson | |
| 6,709,201 B2 | 3/2004 | Race | | 2006/0171784 A1 * | 8/2006 | Shaw 405/286 | |
| D488,242 S | 4/2004 | MacDonald | | 2008/0277561 A1 | 11/2008 | MacDonald | |
| D488,568 S | 4/2004 | MacDonald | | 2008/0289282 A1 | 11/2008 | MacDonald | |
| D488,569 S | 4/2004 | Dawson | | 2008/0302350 A1 | 12/2008 | LaCroix | |
| D490,542 S | 5/2004 | MacDonald | | 2008/0307740 A1 | 12/2008 | MacDonald | |
| 6,803,002 B2 | 10/2004 | Suto et al. | | 2008/0313988 A1 | 12/2008 | MacDonald | |
| 6,821,058 B1 | 11/2004 | Dawson | | 2008/0313988 A1 | 12/2008 | MacDonald | |
| D501,935 S | 2/2005 | Dawson et al. | | 2008/0313988 A1 | 12/2008 | MacDonald | |
| 6,854,231 B2 | 2/2005 | MacDonald et al. | | 2009/0120029 A1 | 5/2009 | LaCroix et al. | |
| 6,871,468 B2 * | 3/2005 | Whitson | 52/604 | 2009/0151281 A1 | 6/2009 | MacDonald et al. | |
| 6,912,823 B2 | 7/2005 | MacDonald et al. | | 2009/0188196 A1 | 7/2009 | MacDonald | |
| 7,048,472 B2 | 5/2006 | Woolford et al. | | 2009/0308015 A1 | 12/2009 | MacDonald et al. | |
| 7,096,634 B2 | 8/2006 | Dean, Jr. | | 2009/0313936 A1 | 12/2009 | MacDonald et al. | |
| D530,830 S | 10/2006 | Collison et al. | | 2010/0308502 A1 | 12/2010 | Lacroix et al. | |
| 7,168,892 B1 | 1/2007 | MacDonald et al. | | 2010/0310695 A1 | 12/2010 | Lacroix et al. | |
| 7,244,079 B1 | 7/2007 | Blomquist et al. | | 2011/0072753 A1 | 3/2011 | MacDonald | |
| D551,360 S | 9/2007 | Price | | 2011/0217127 A1 | 9/2011 | MacDonald | |
| | | | | 2011/0243669 A1 | 10/2011 | Friederichs et al. | |

* cited by examiner

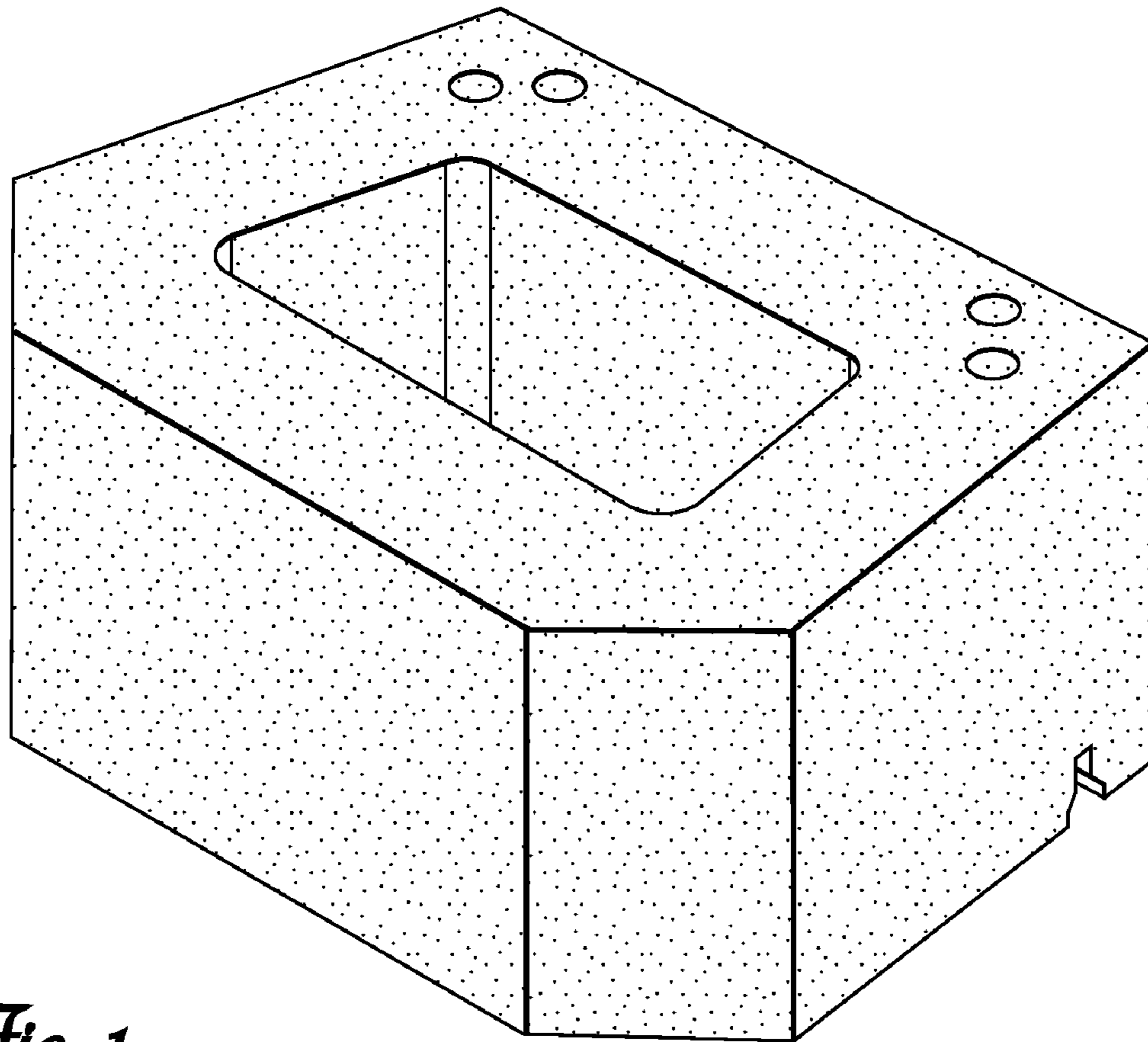


Fig. 1

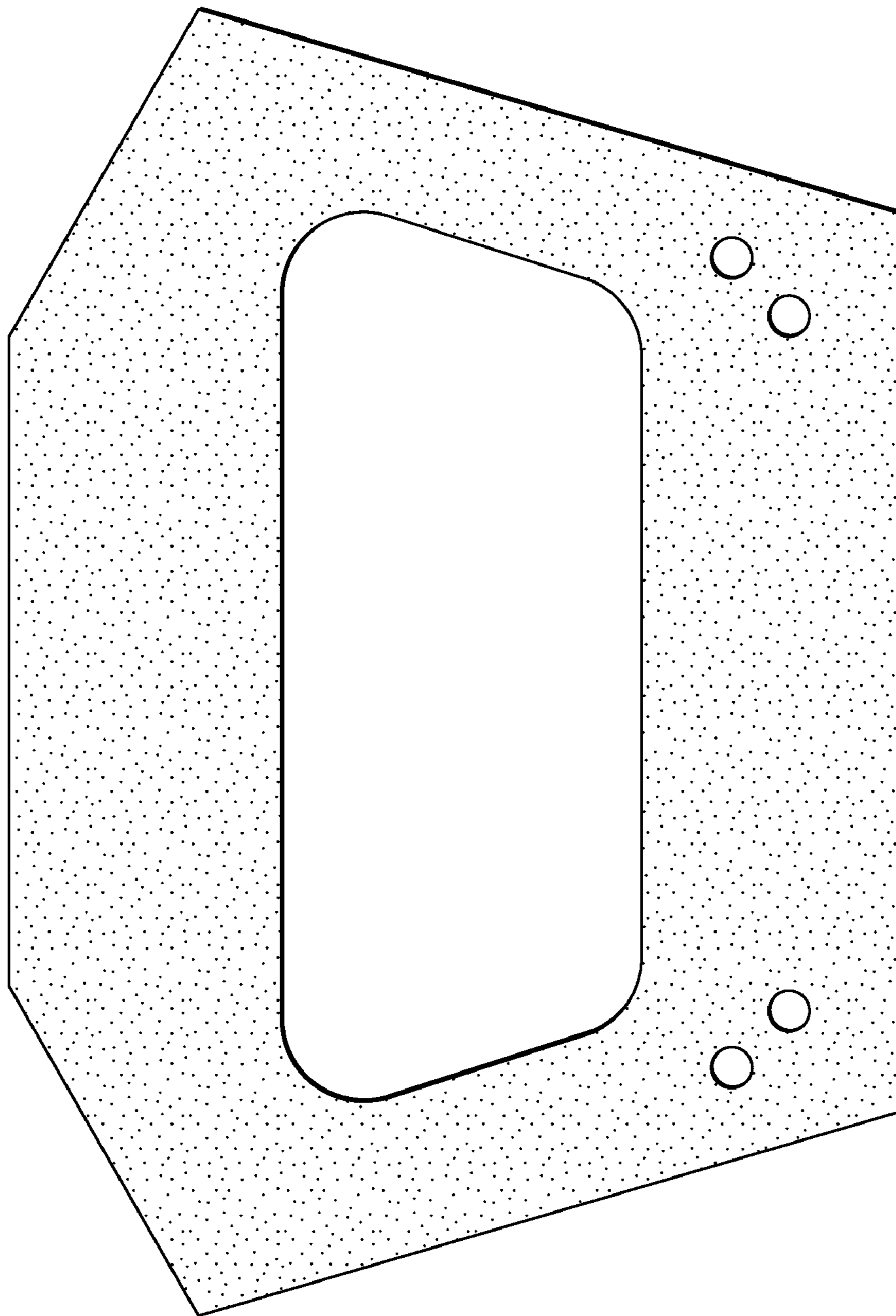


Fig. 2

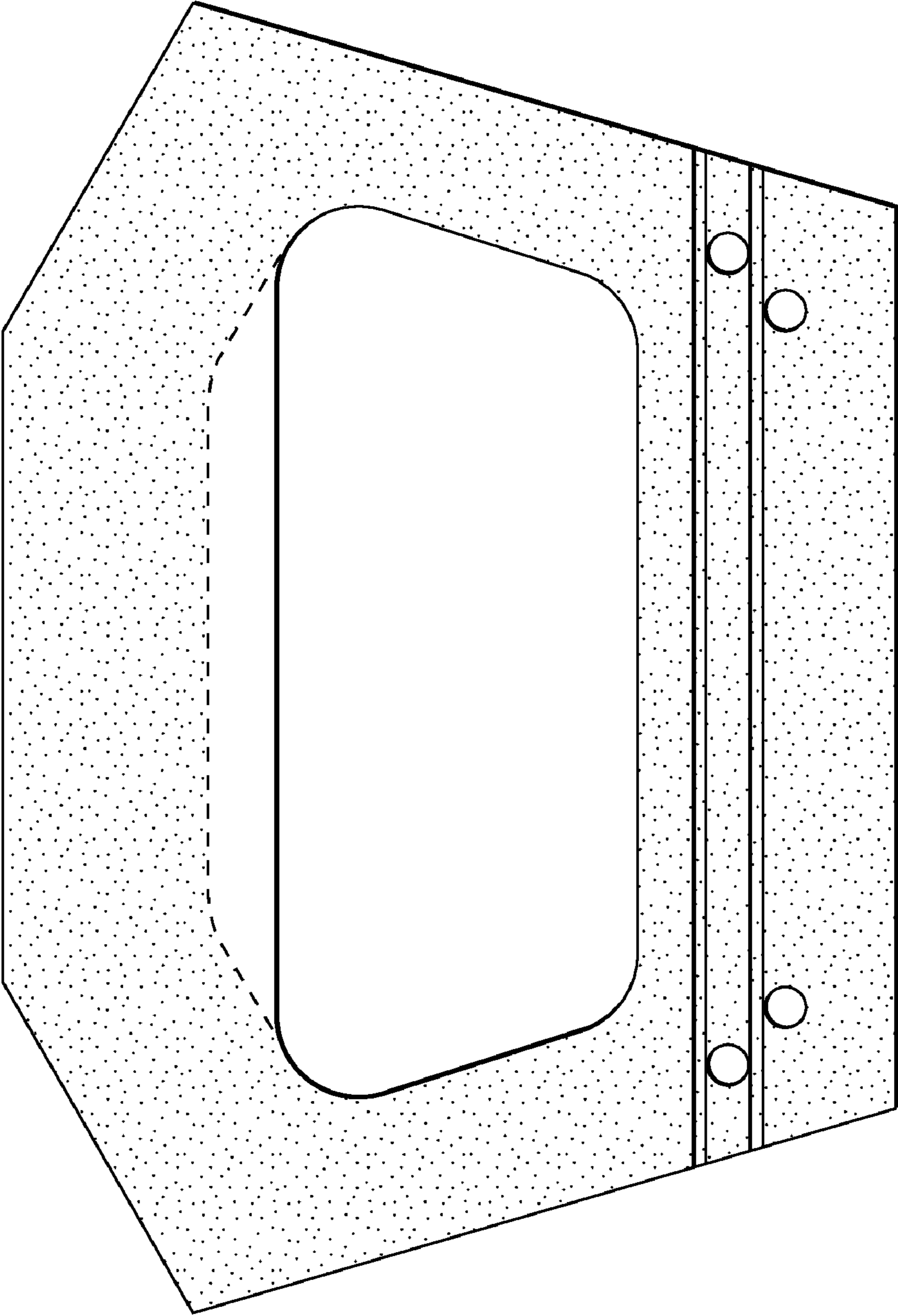


Fig. 3

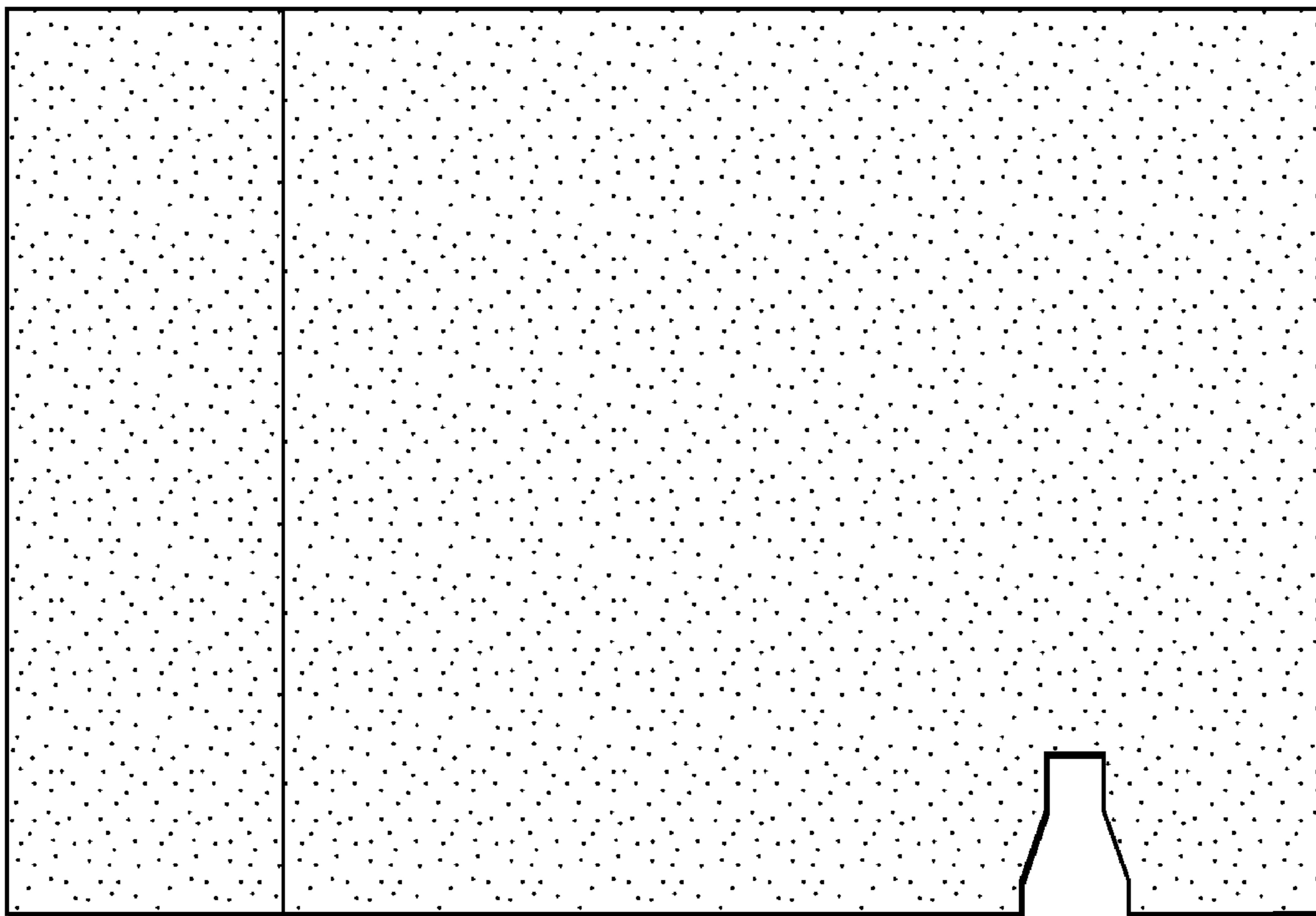


Fig. 4

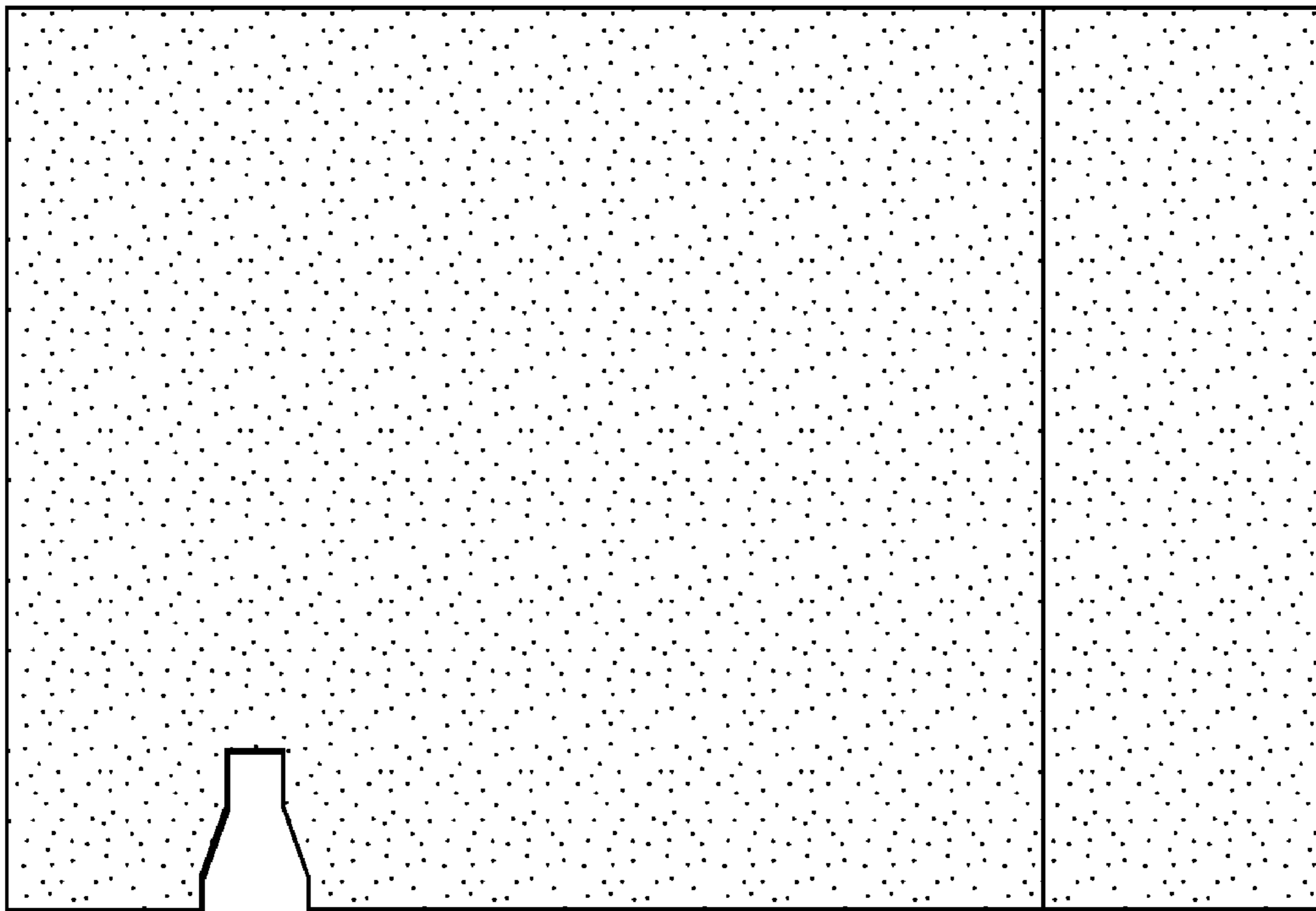


Fig. 5

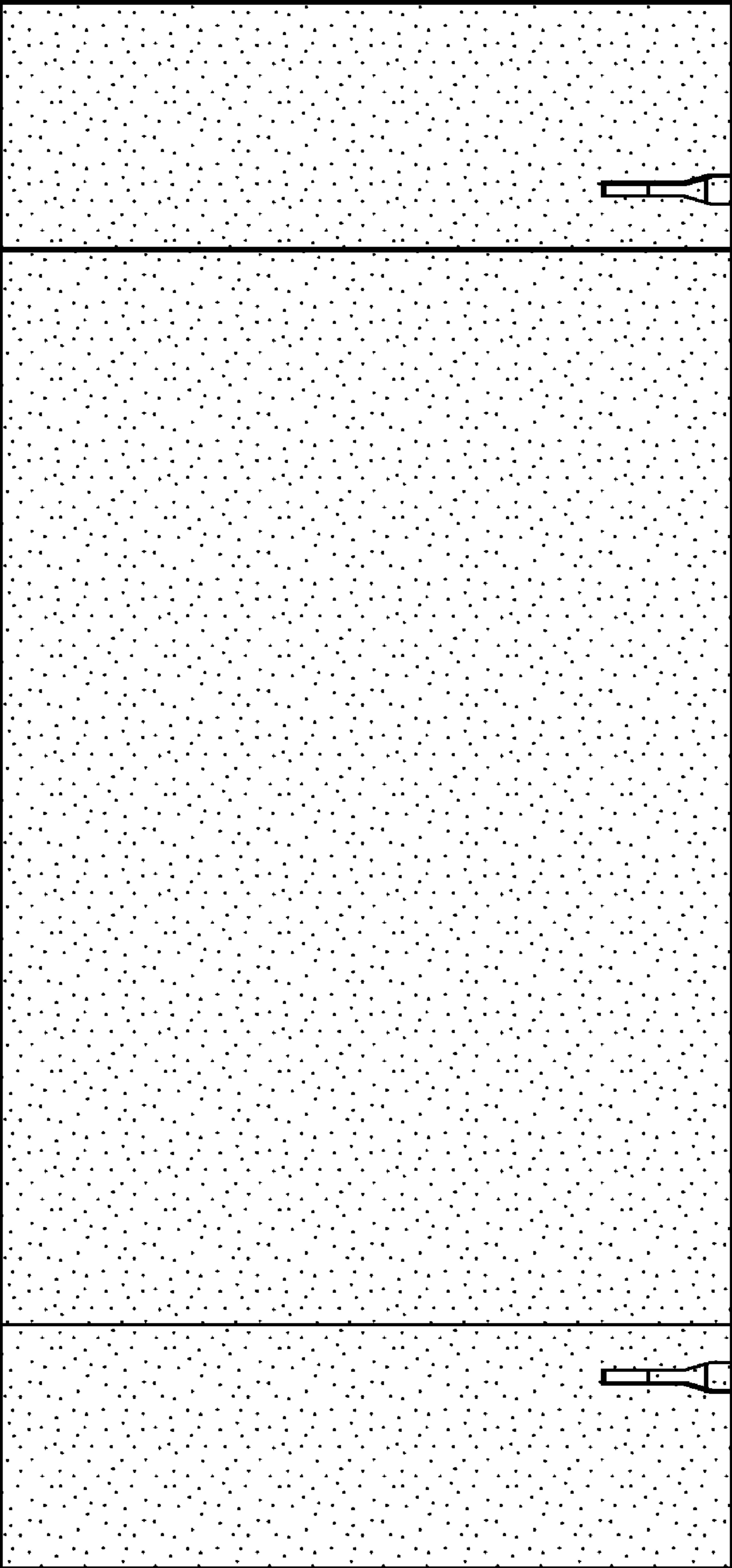


Fig. 6

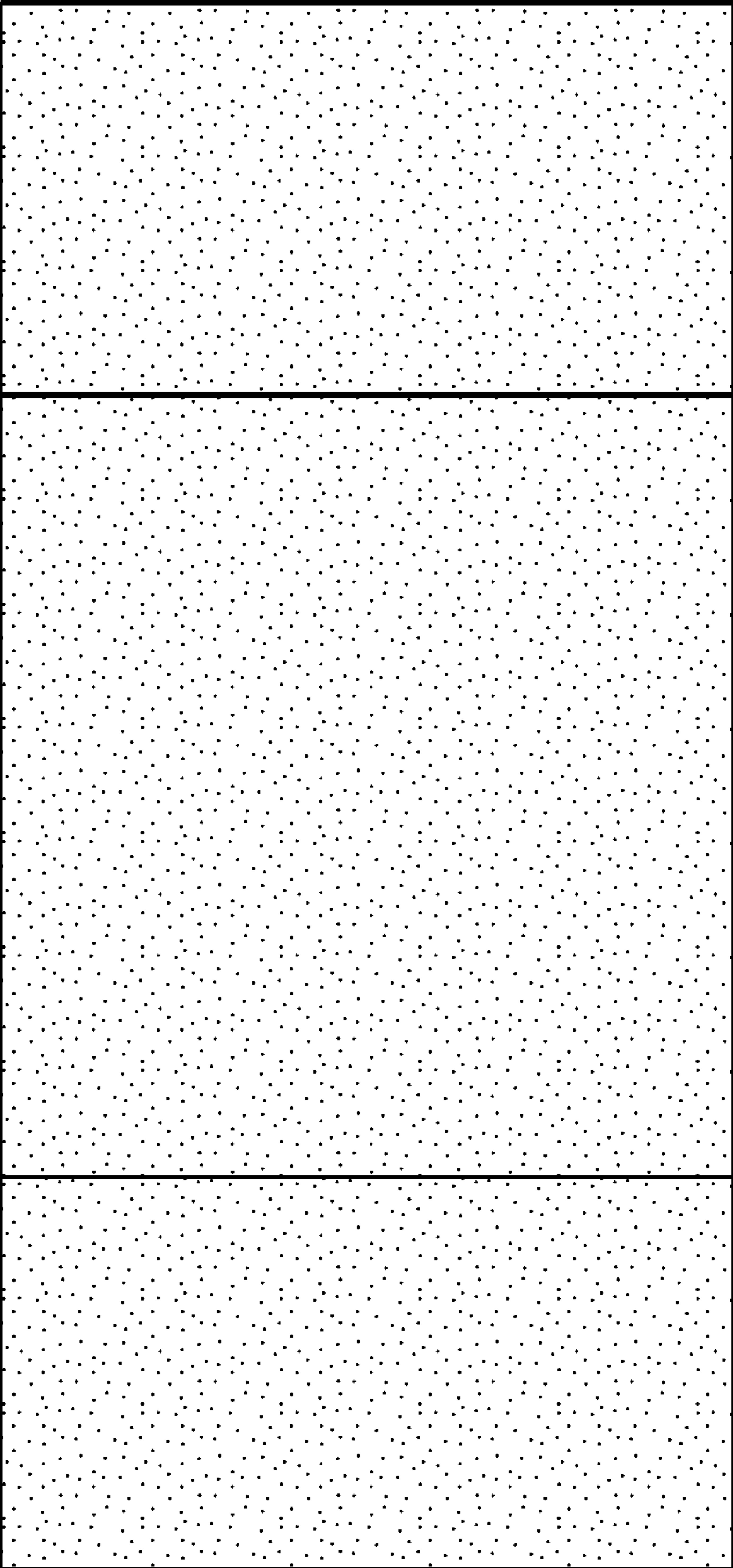


Fig. 7

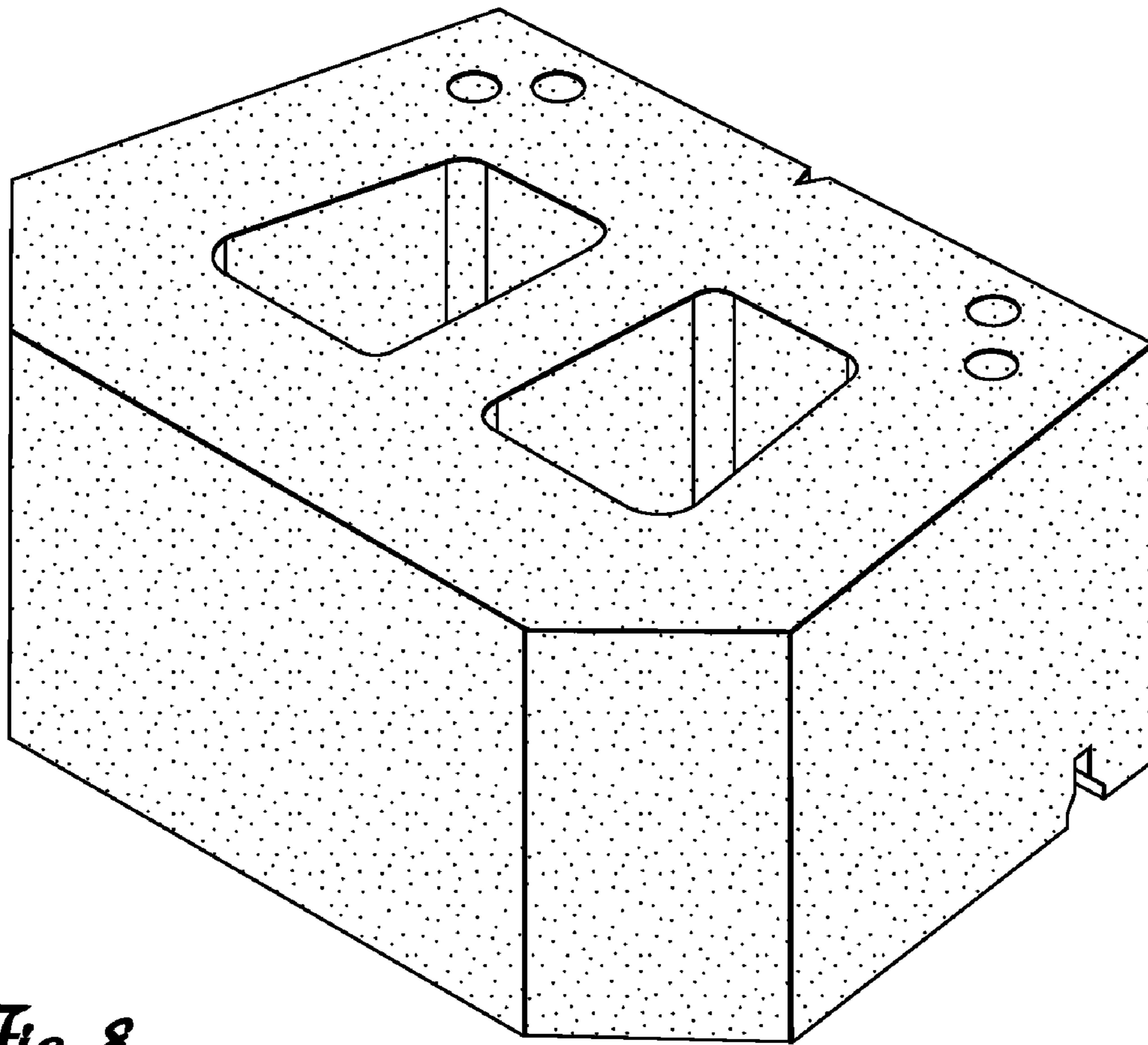


Fig. 8

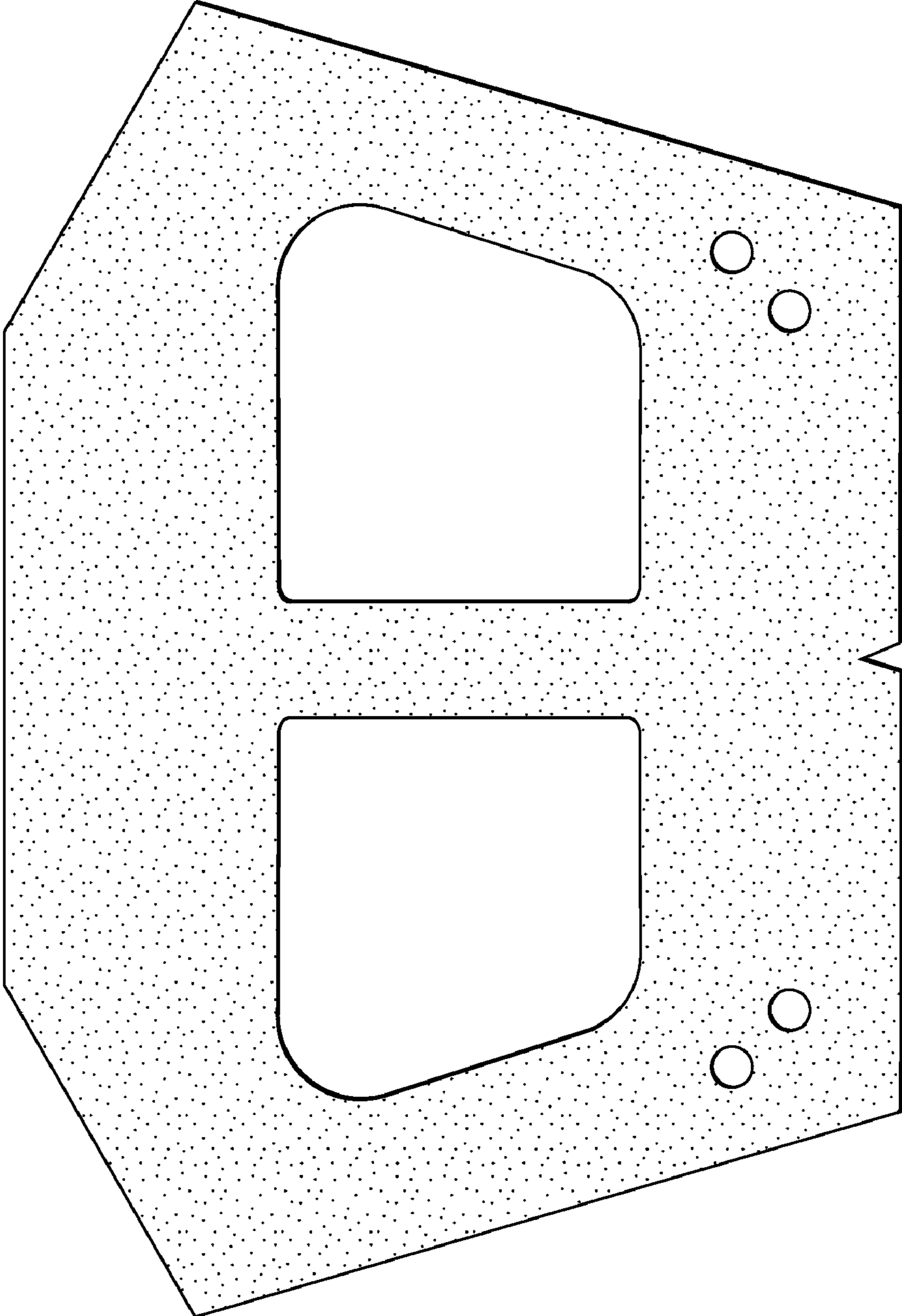


Fig. 9

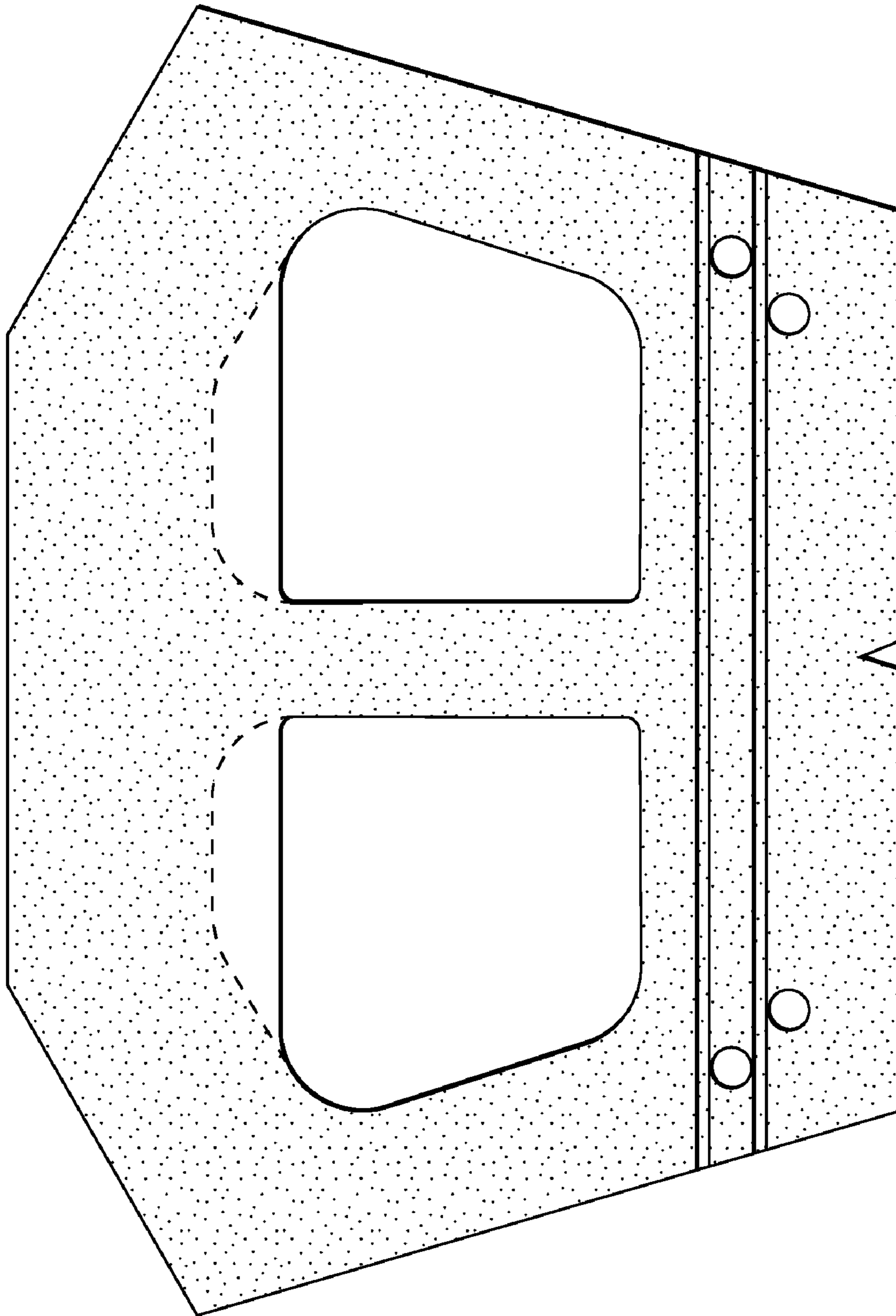


Fig. 10

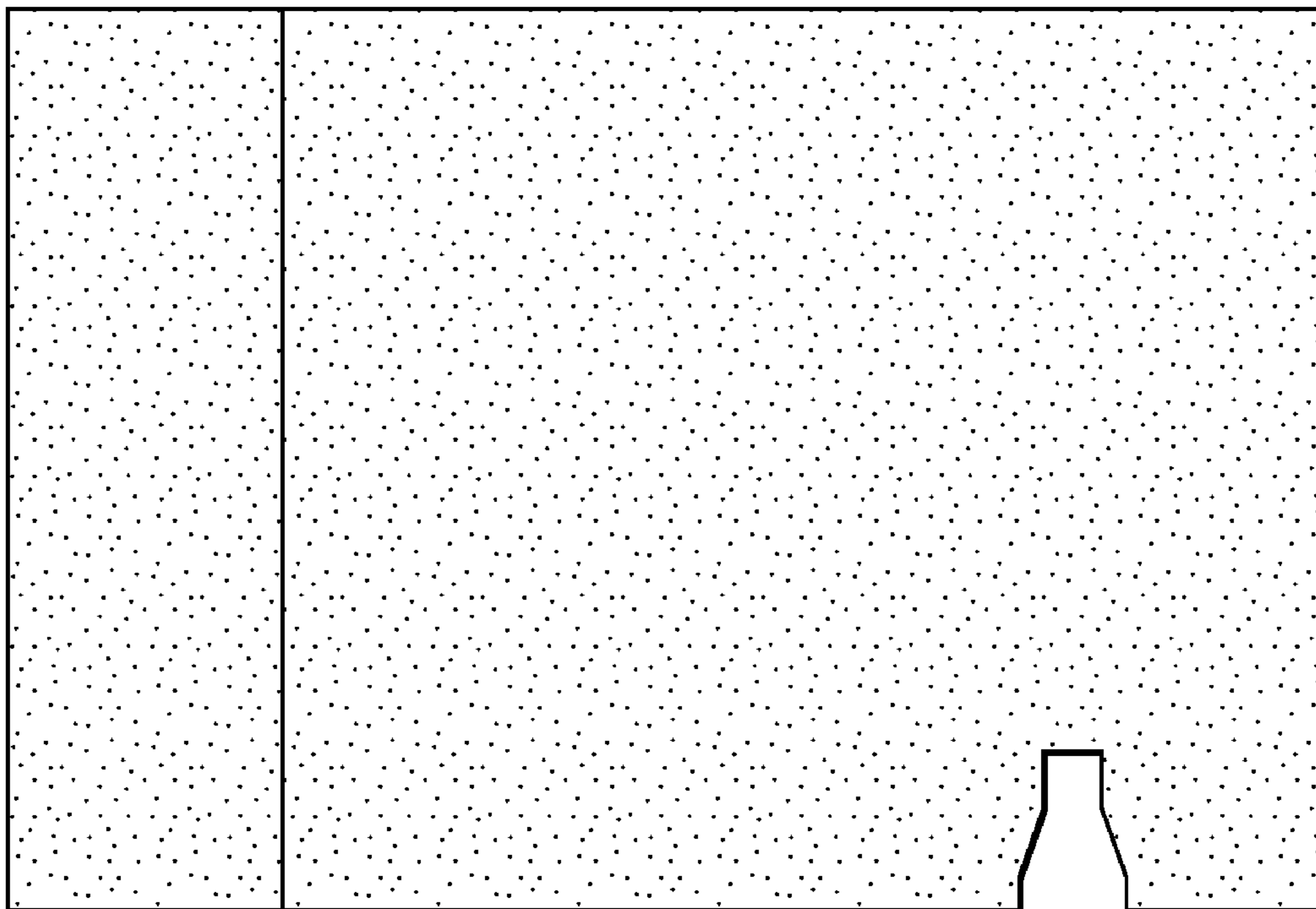


Fig. 11

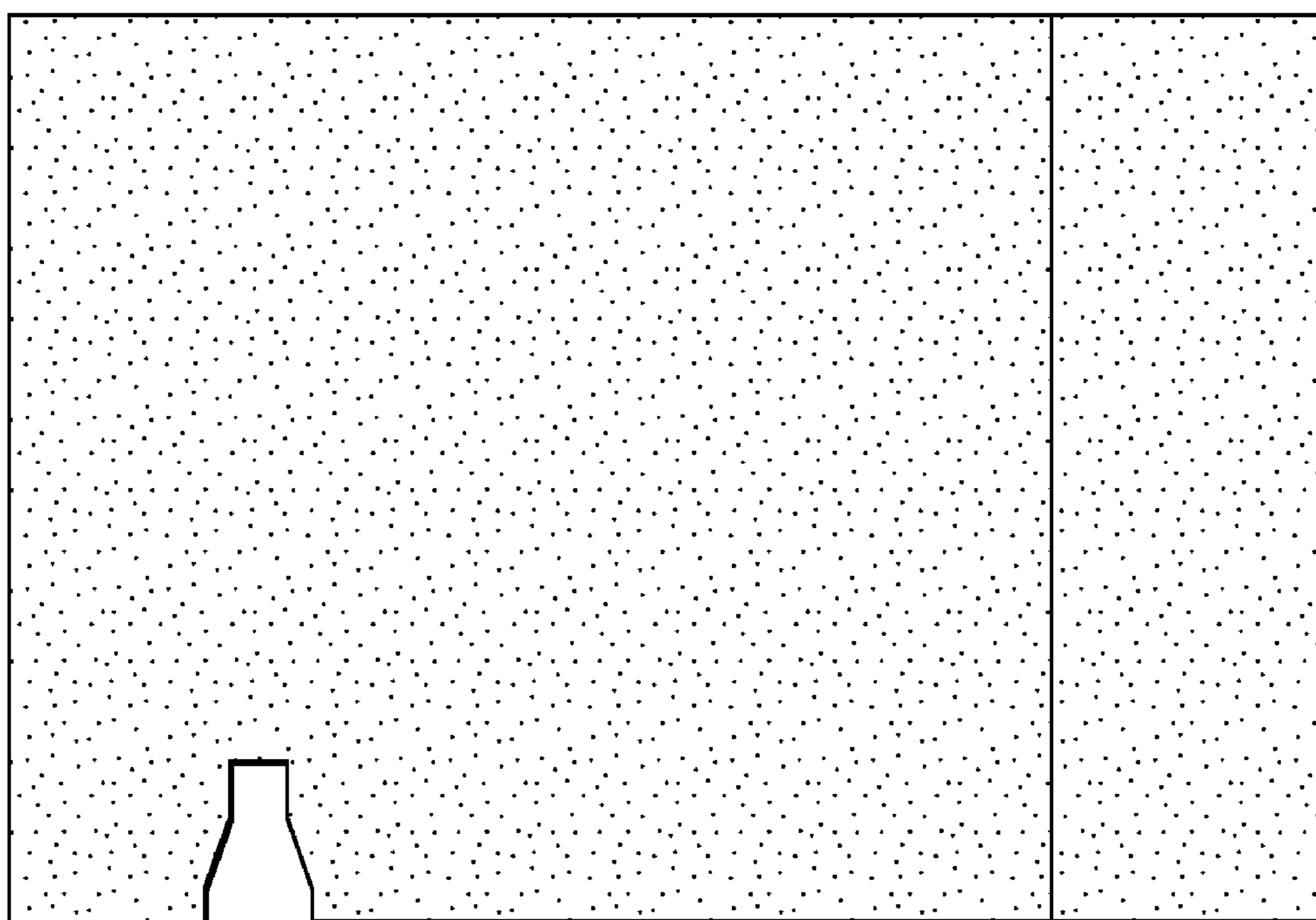


Fig. 12

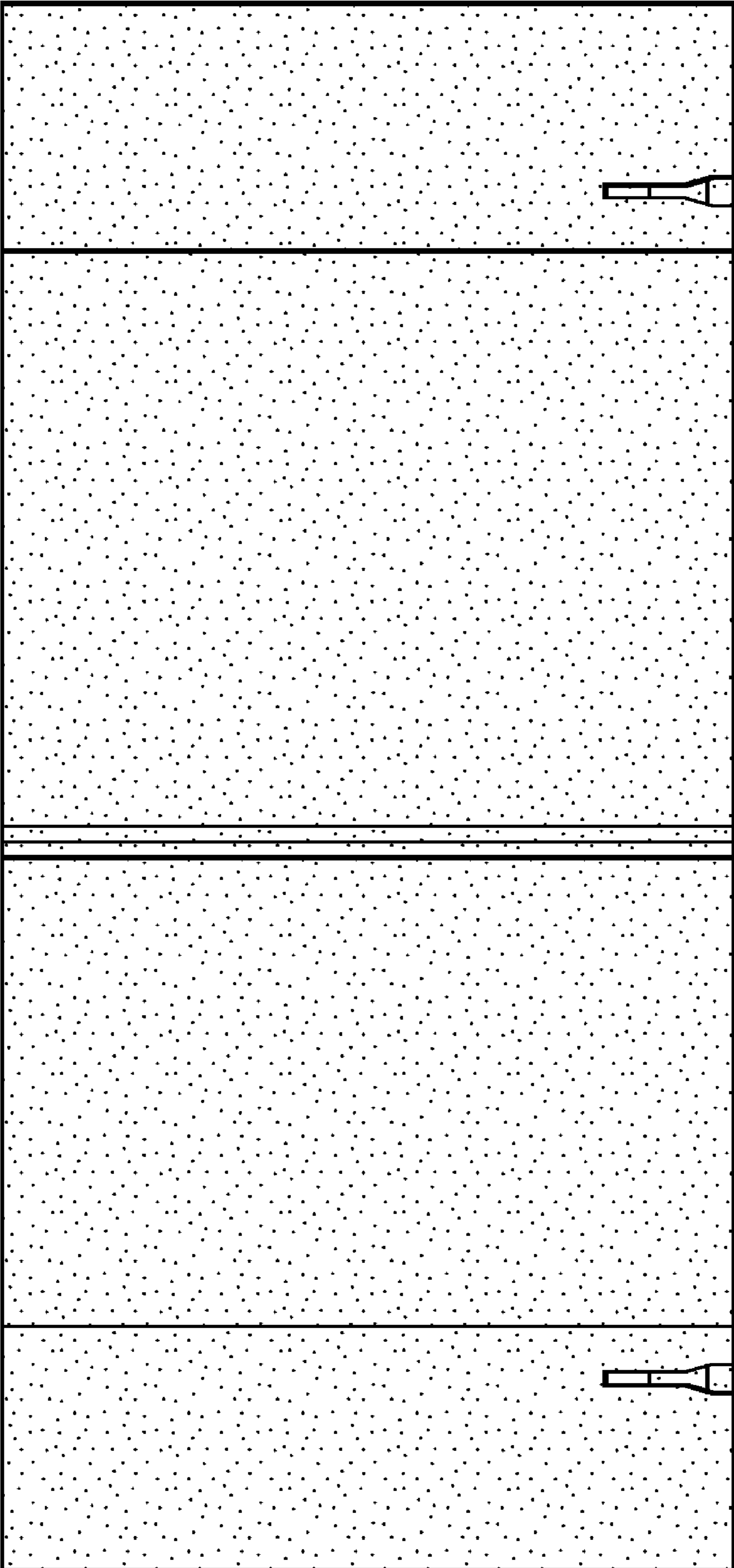


Fig. 13

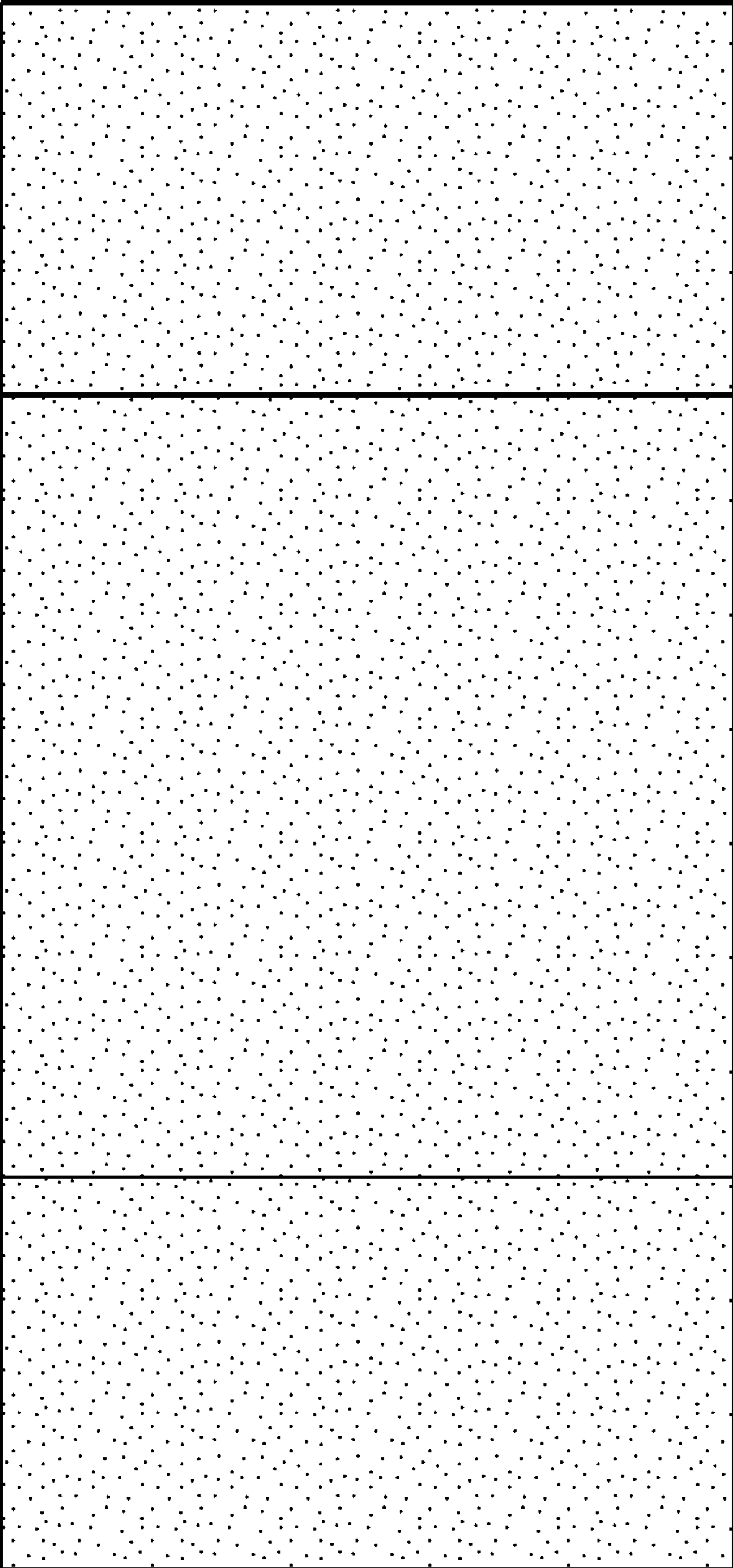


Fig. 14