



US00D671654S

(12) **United States Design Patent**
Akamatsu et al.

(10) **Patent No.:** **US D671,654 S**

(45) **Date of Patent:** **** Nov. 27, 2012**

(54) **COMPOUND CHARGED PARTICLE BEAM DEVICE**

(75) Inventors: **Kenichi Akamatsu**, Chiba (JP); **Hiroto Muto**, Chiba (JP)

(73) Assignee: **Sii Nano Technology Inc.**, Chiba (JP)

(**) Term: **14 Years**

(21) Appl. No.: **29/342,164**

(22) Filed: **Aug. 19, 2009**

(30) **Foreign Application Priority Data**

Feb. 20, 2009	(JP)	2009-003469
Feb. 20, 2009	(JP)	2009-003474
Feb. 20, 2009	(JP)	2009-003475

(51) **LOC (9) Cl.** **24-03**

(52) **U.S. Cl.** **D24/232; D16/131**

(58) **Field of Classification Search** D24/176,
D24/232, 233; 359/359; 430/30; 250/369 R,
250/440.11, 311; D16/130, 131, 136
See application file for complete search history.

(56) **References Cited**

U.S. PATENT DOCUMENTS

3,835,320	A *	9/1974	Helwig	250/311
4,963,748	A *	10/1990	Szilagyi	250/396 R
D381,031	S *	7/1997	Miyata et al.	D16/131
6,084,239	A *	7/2000	Miyata et al.	250/440.11
D472,484	S *	4/2003	Connolly et al.	D10/81
7,443,577	B2 *	10/2008	Gorrell et al.	359/359
D638,046	S *	5/2011	Noda et al.	D16/131
D639,980	S *	6/2011	Davis et al.	D24/233
D644,258	S *	8/2011	Noda et al.	D16/131
2003/0077530	A1 *	4/2003	Fujiwara et al.	430/30

* cited by examiner

Primary Examiner — Ian Simmons

Assistant Examiner — Charles Hanson

(74) *Attorney, Agent, or Firm* — Finnegan, Henderson, Farabow, Garrett & Dunner, L.L.P.

(57) **CLAIM**

The ornamental design for a compound charged particle beam device, as shown and described.

DESCRIPTION

FIG. 1 is a perspective view of the top, front and left side of a compound charged particle beam device showing our new design;

FIG. 2 is a front view thereof;

FIG. 3 is a rear view thereof;

FIG. 4 is a left side view thereof;

FIG. 5 is a right side view thereof;

FIG. 6 is a top plan view thereof;

FIG. 7 is a bottom view thereof;

FIG. 8 is a perspective view of the top, front and left side of a compound charged particle beam device showing our new design of a second embodiment;

FIG. 9 is front view thereof;

FIG. 10 is a rear view thereof;

FIG. 11 is a left side view thereof;

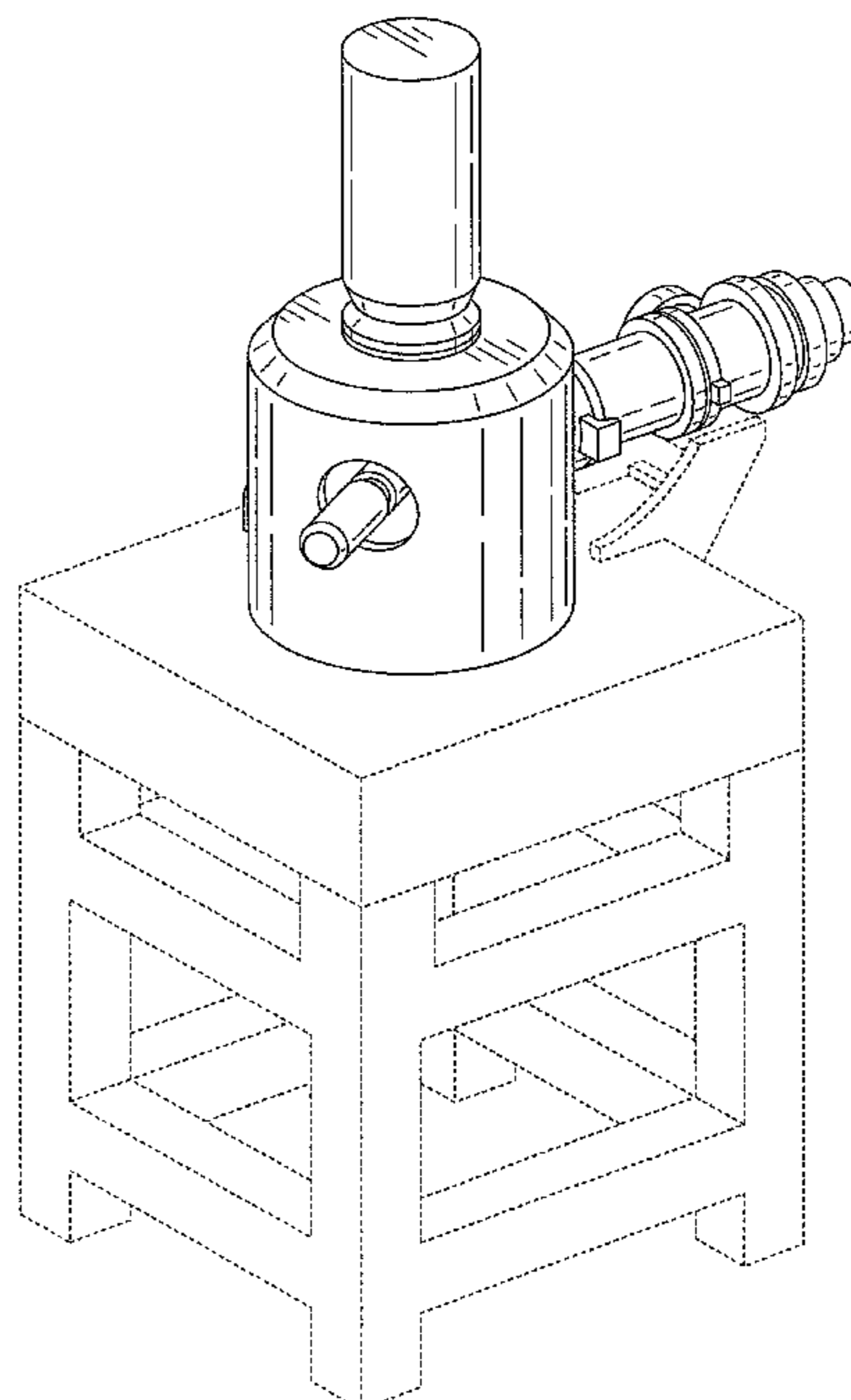
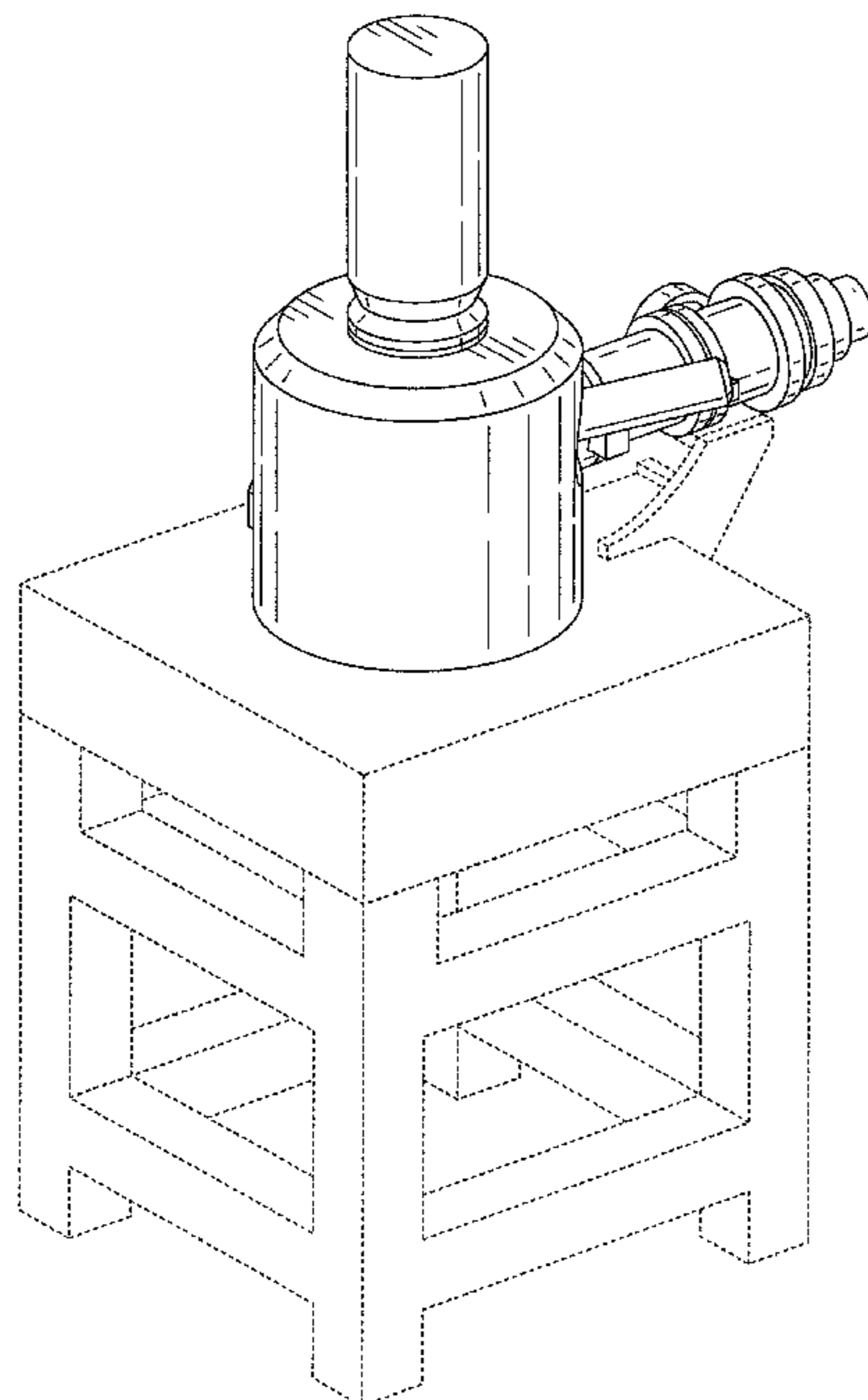
FIG. 12 is a right side view thereof;

FIG. 13 is a top plan view thereof; and,

FIG. 14 is a bottom view thereof.

The portion shown in broken lines are for illustrative purposes only and form no part of the claimed design.

1 Claim, 12 Drawing Sheets



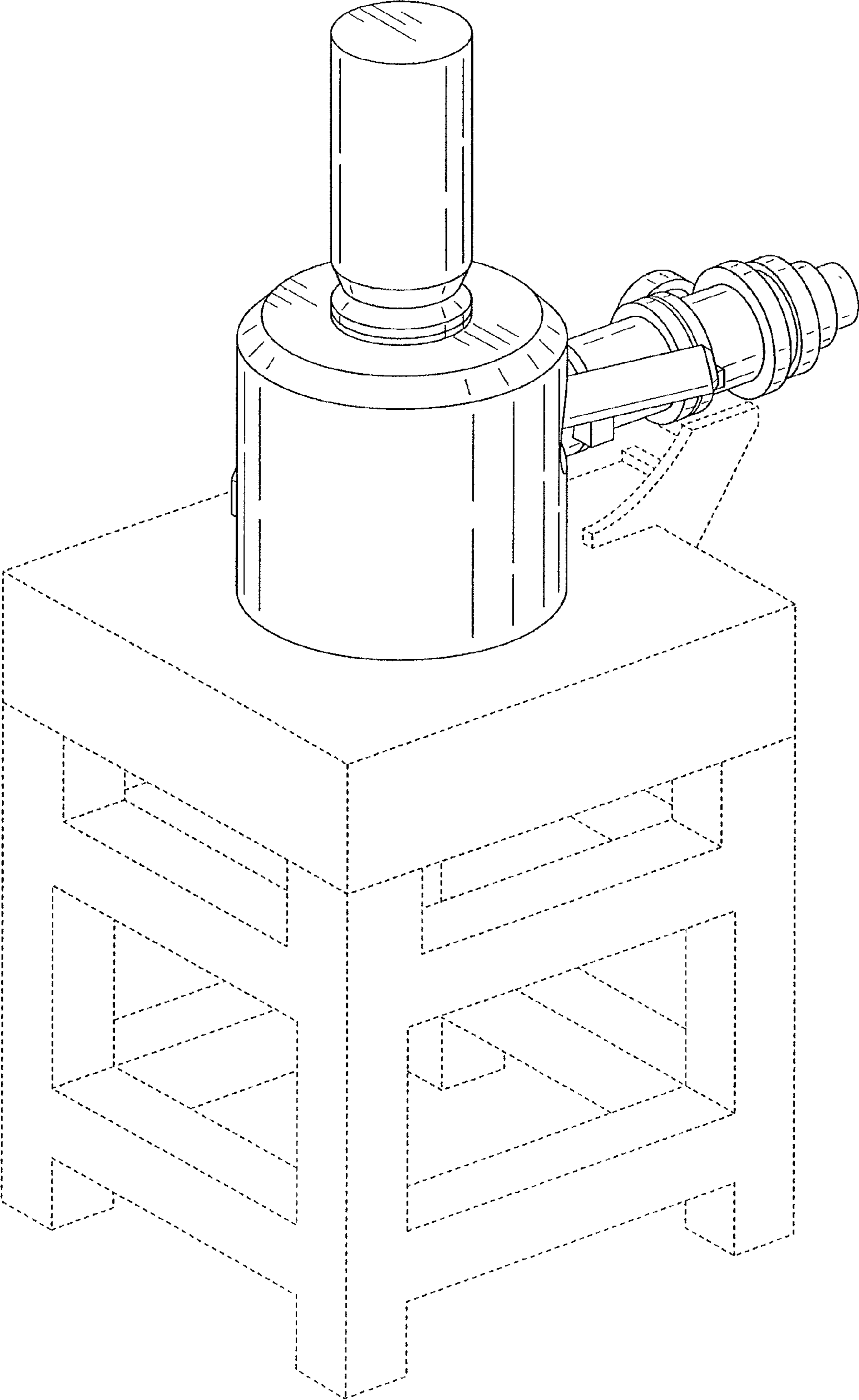


FIG. 1

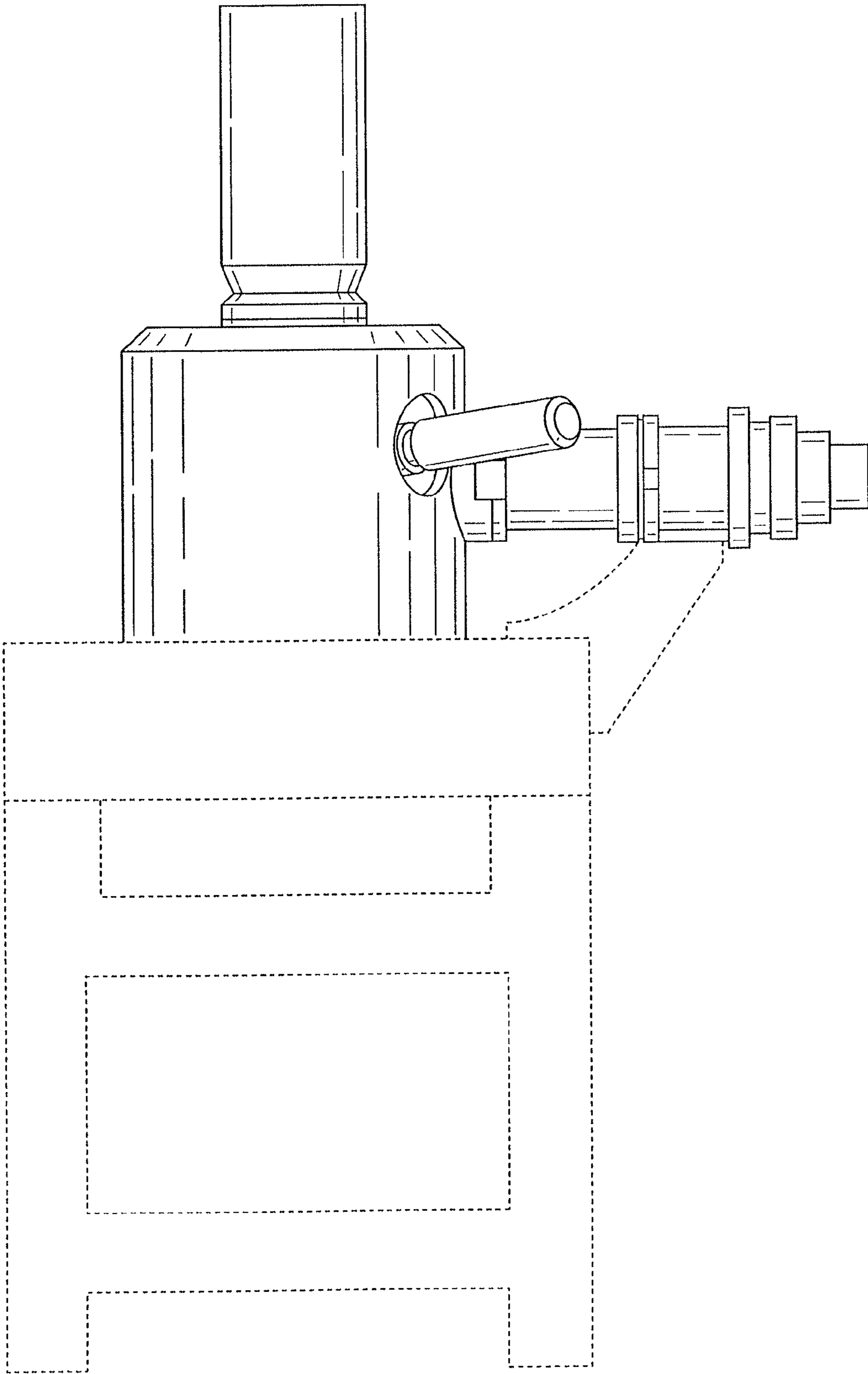


FIG. 2

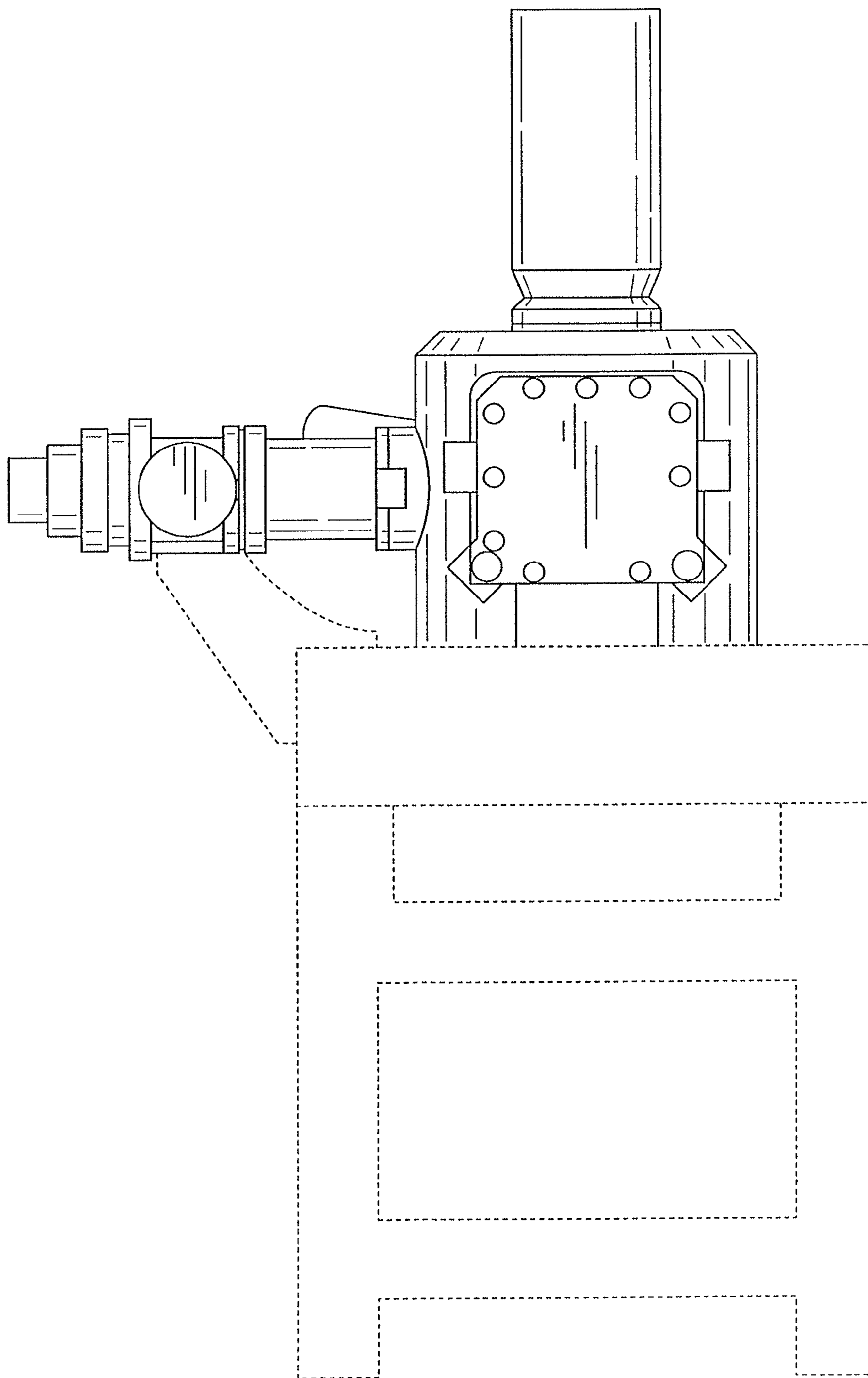


FIG. 3

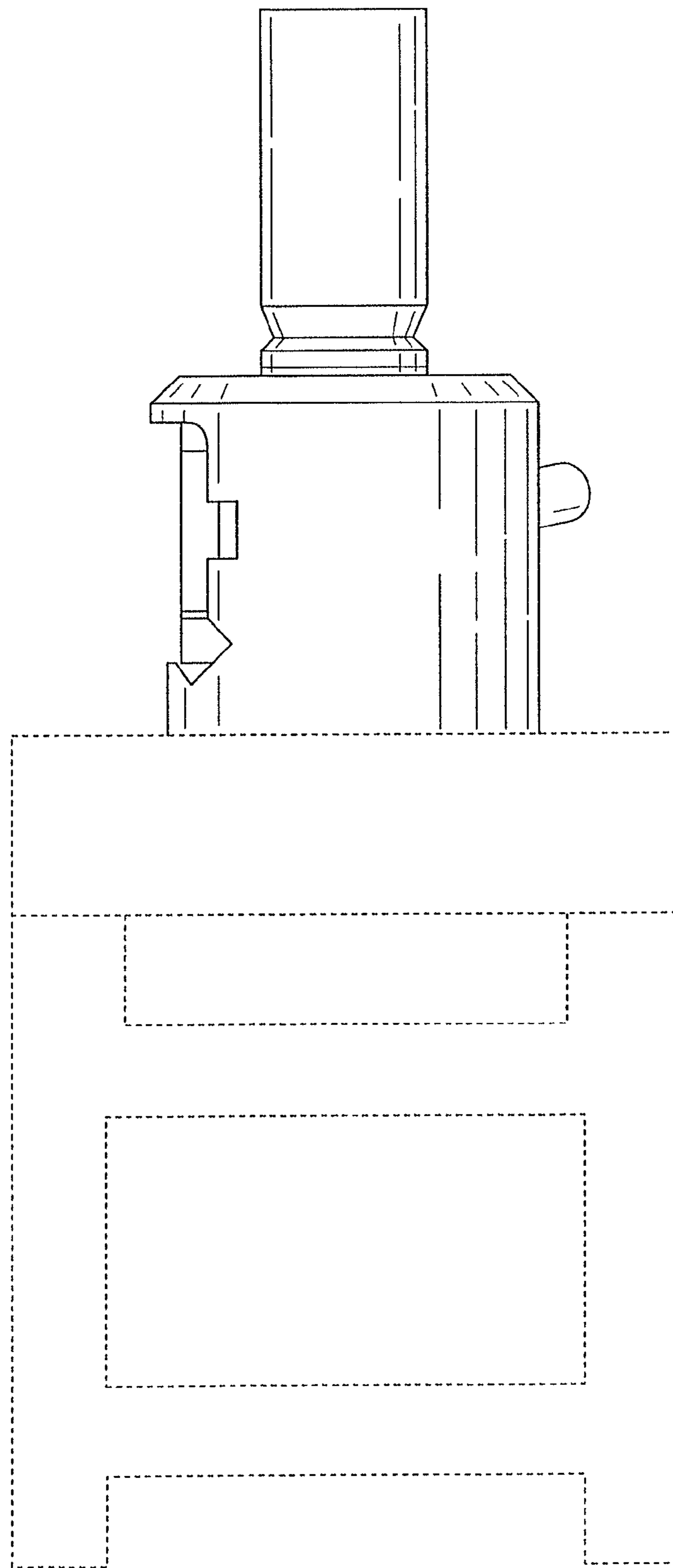


FIG. 4

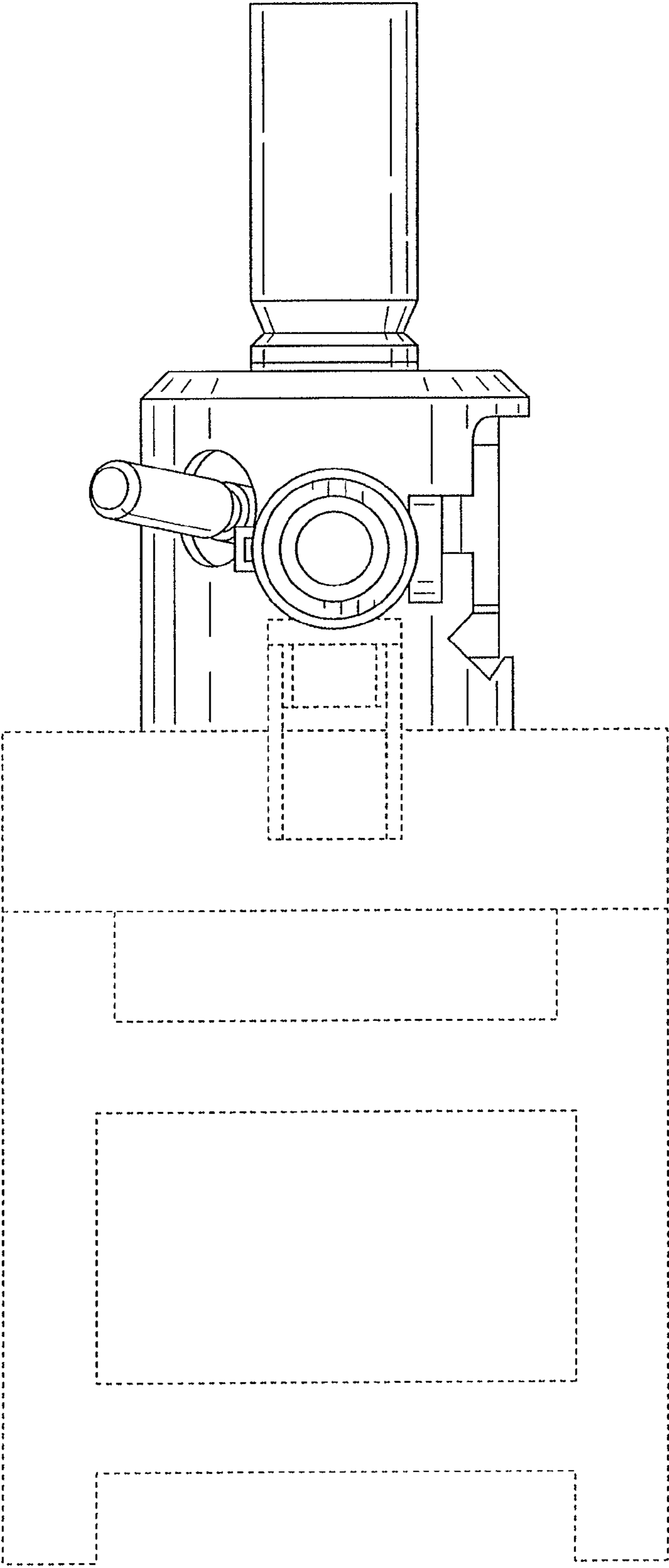


FIG. 5

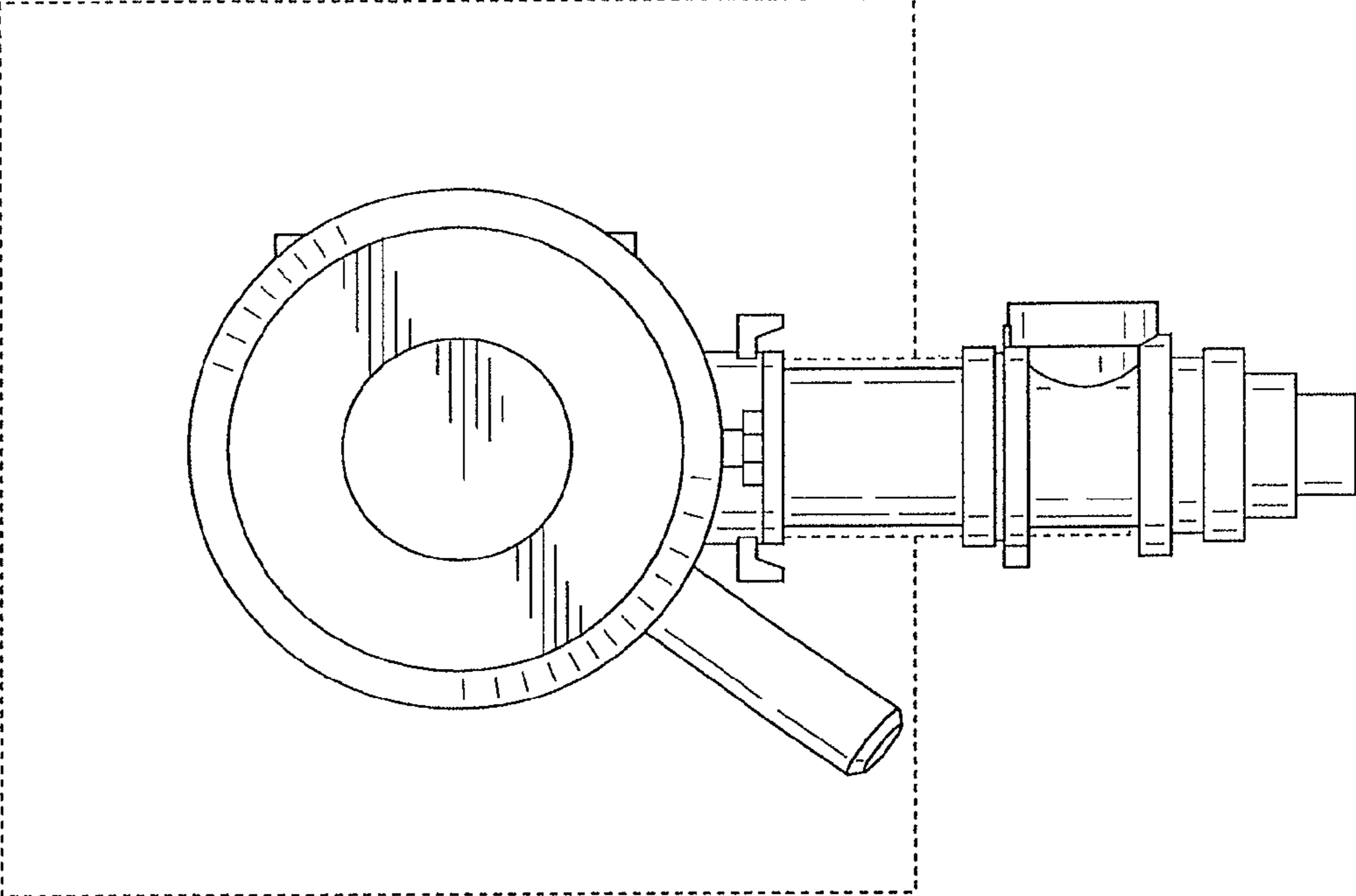


FIG. 6

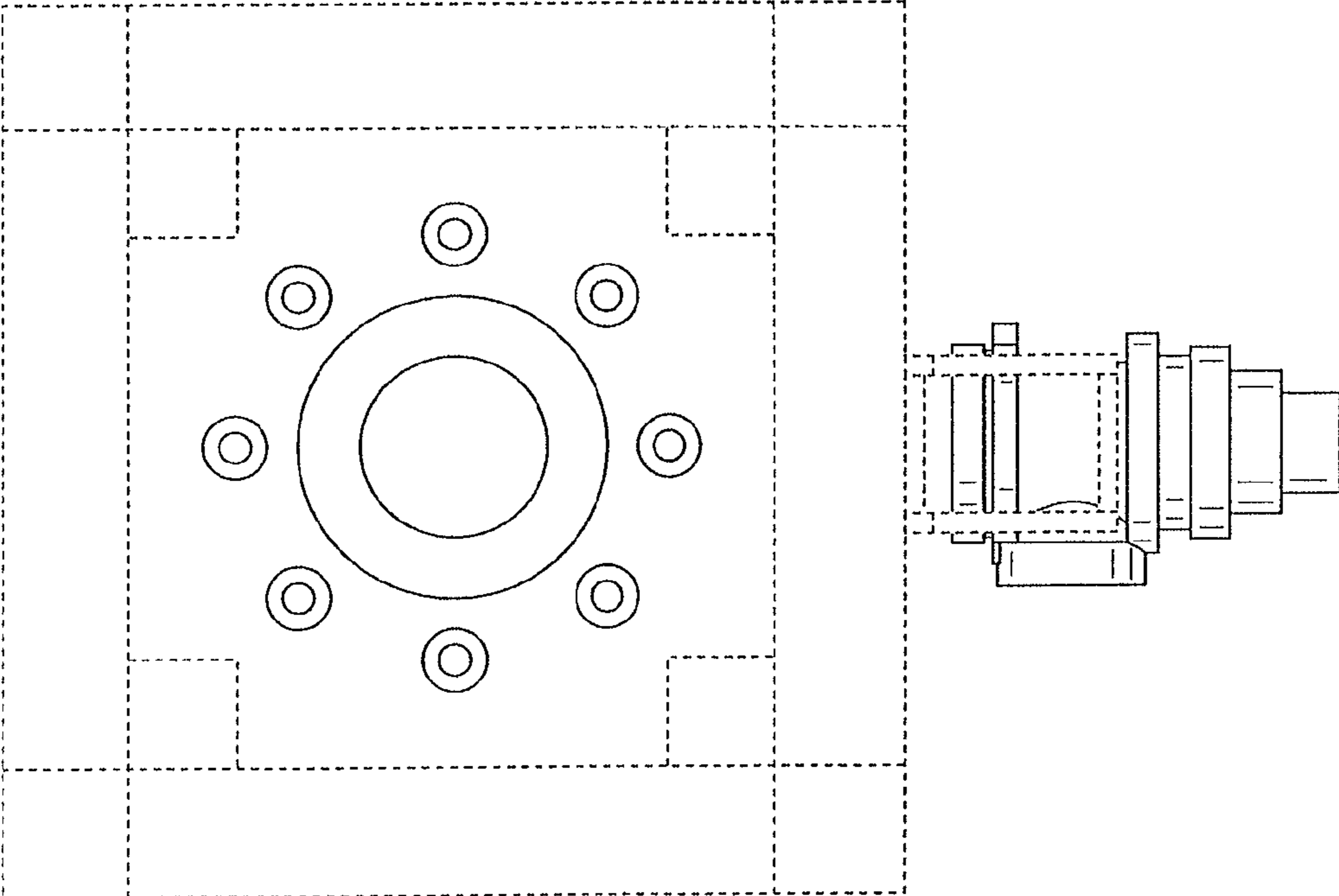


FIG. 7

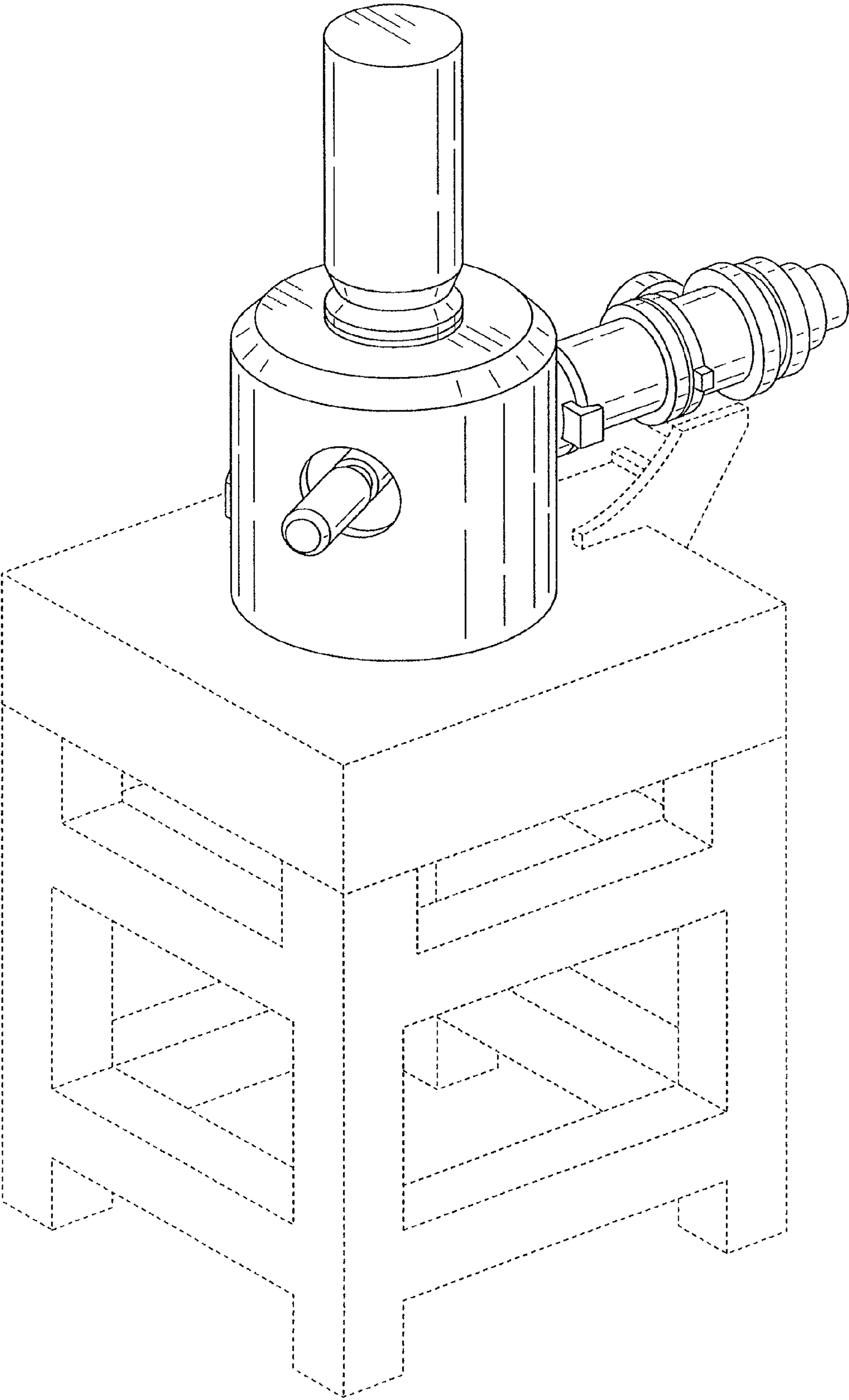


FIG. 8

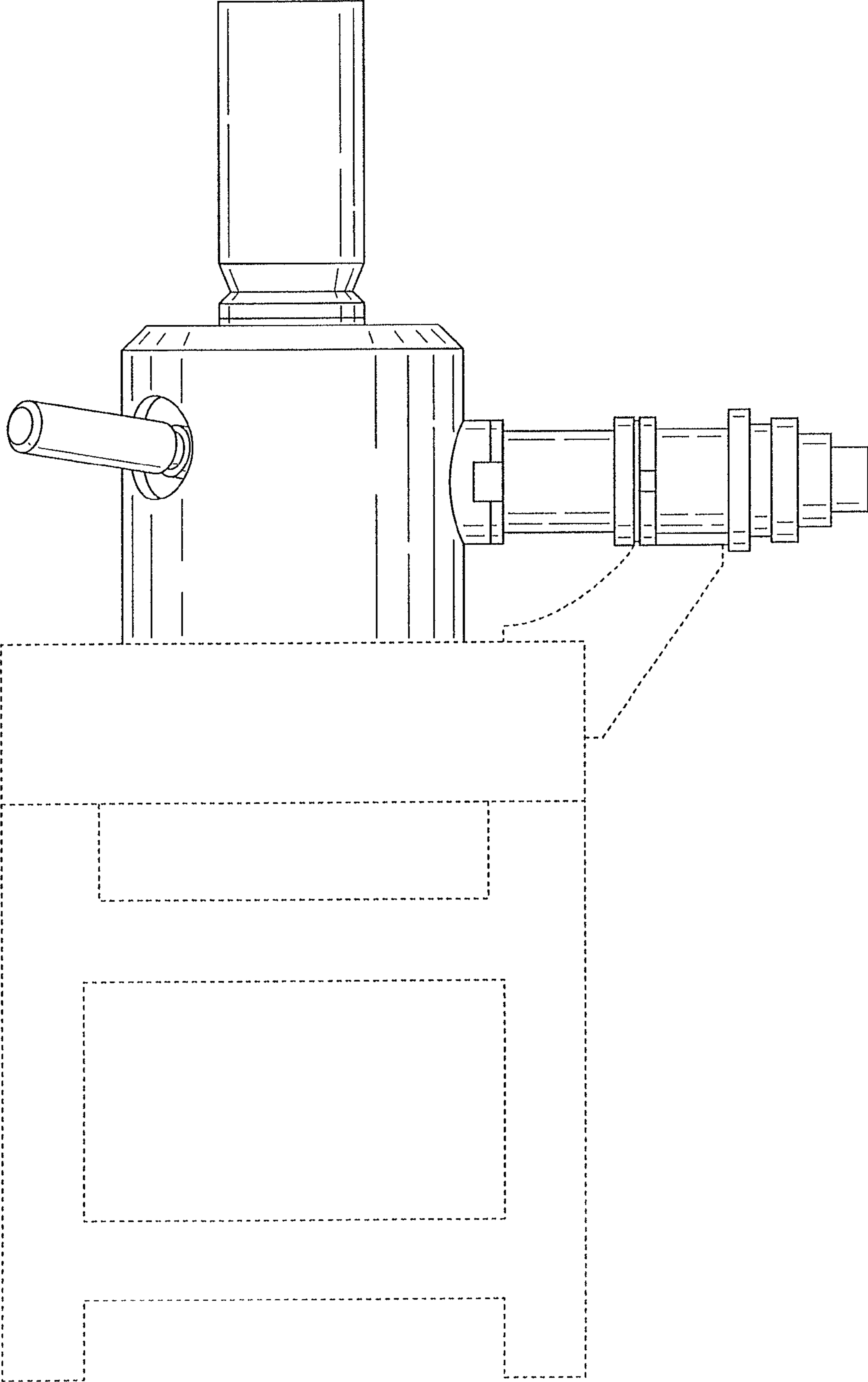


FIG. 9

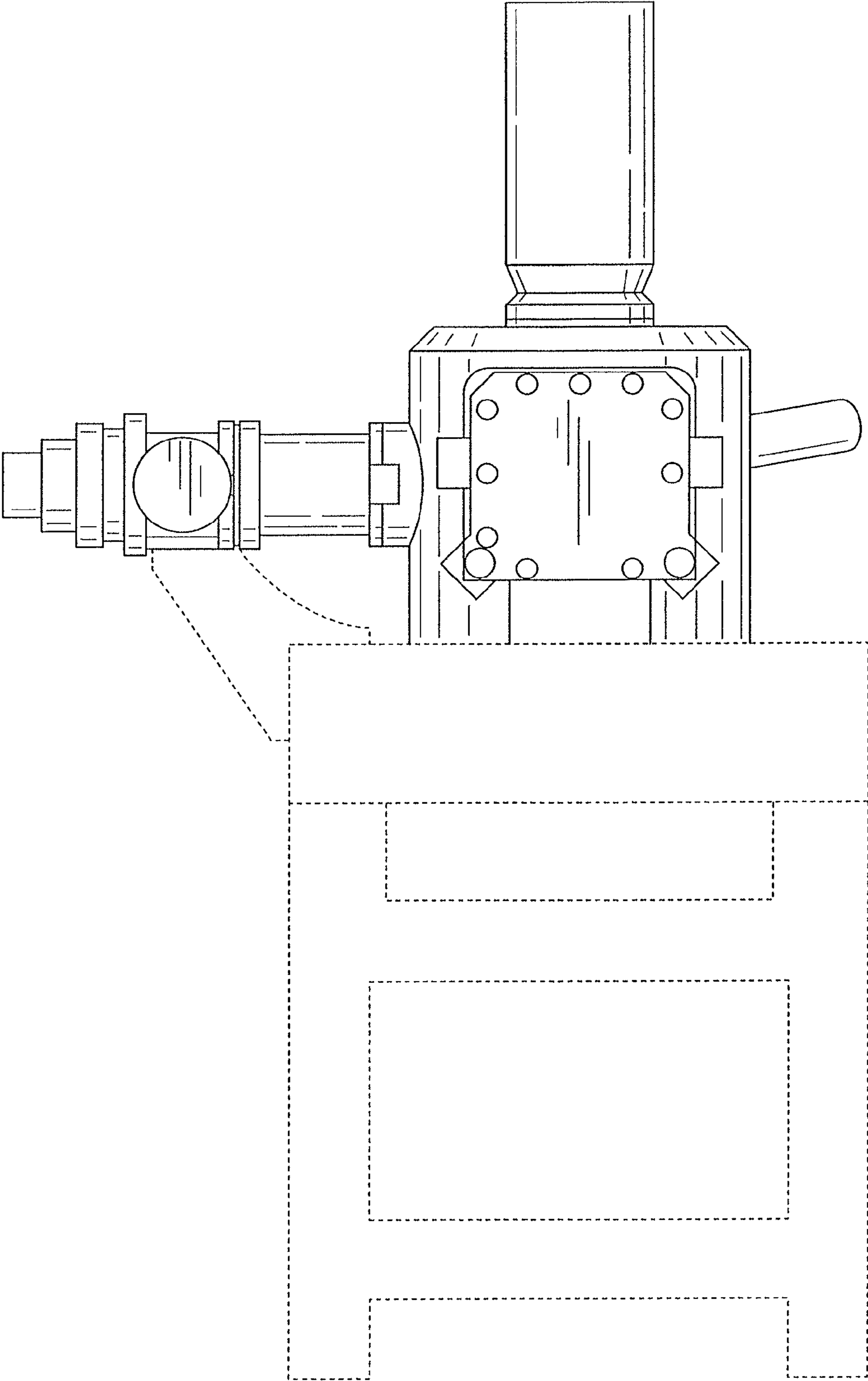


FIG. 10

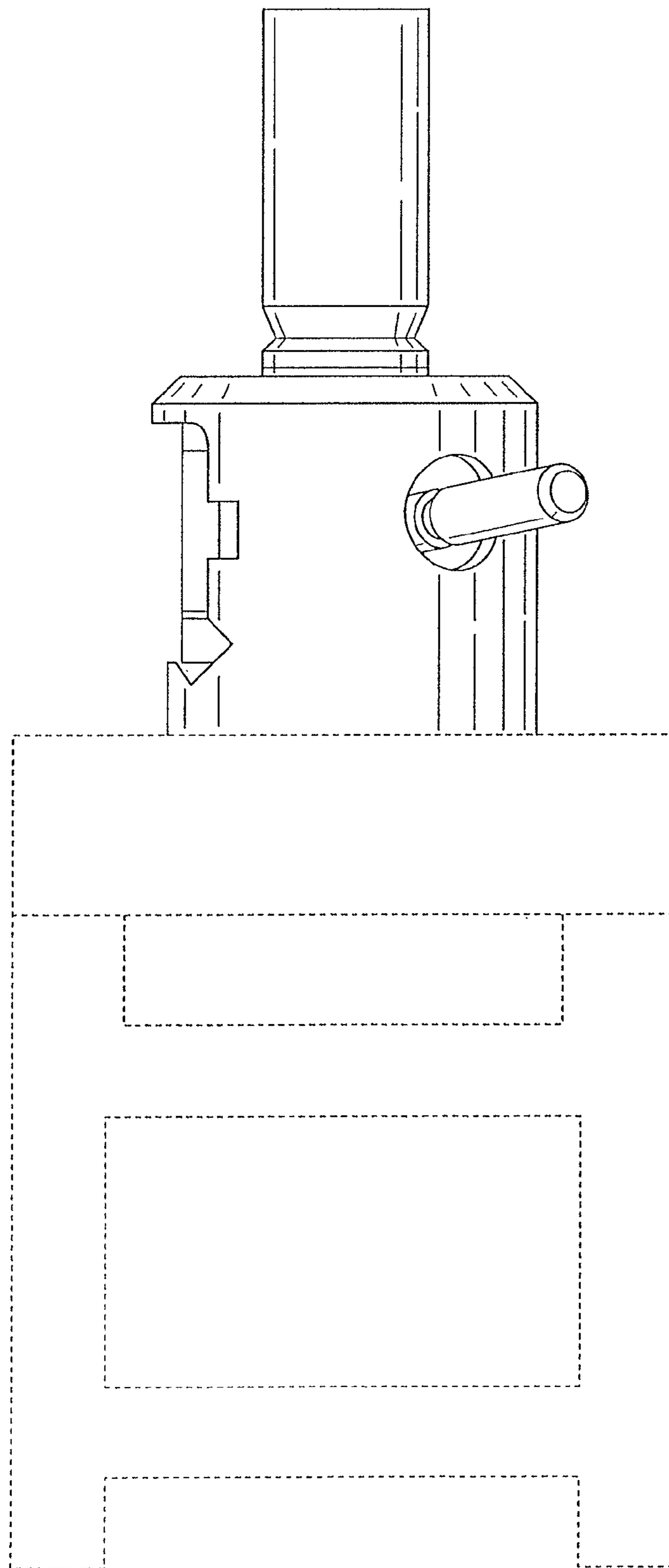


FIG. 11

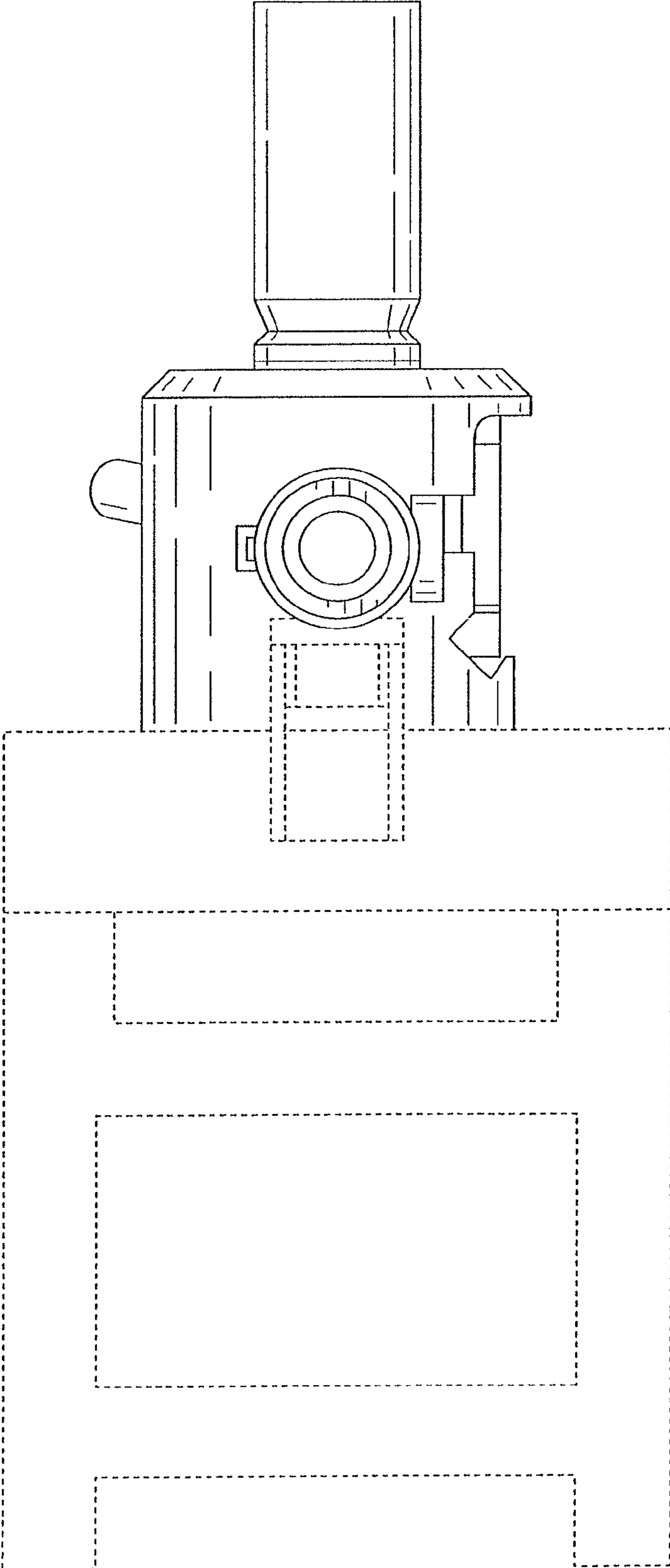


FIG. 12

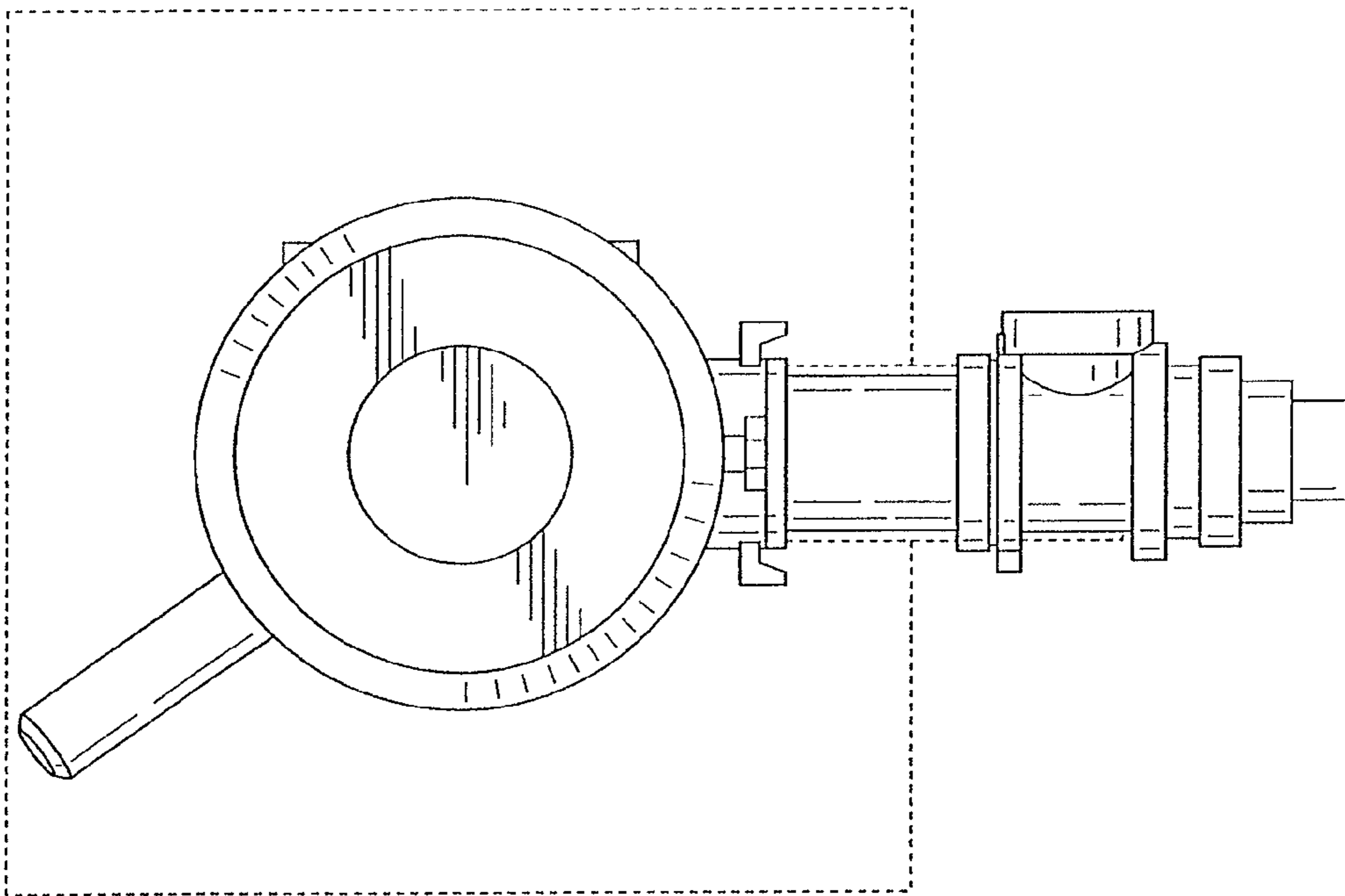


FIG. 13

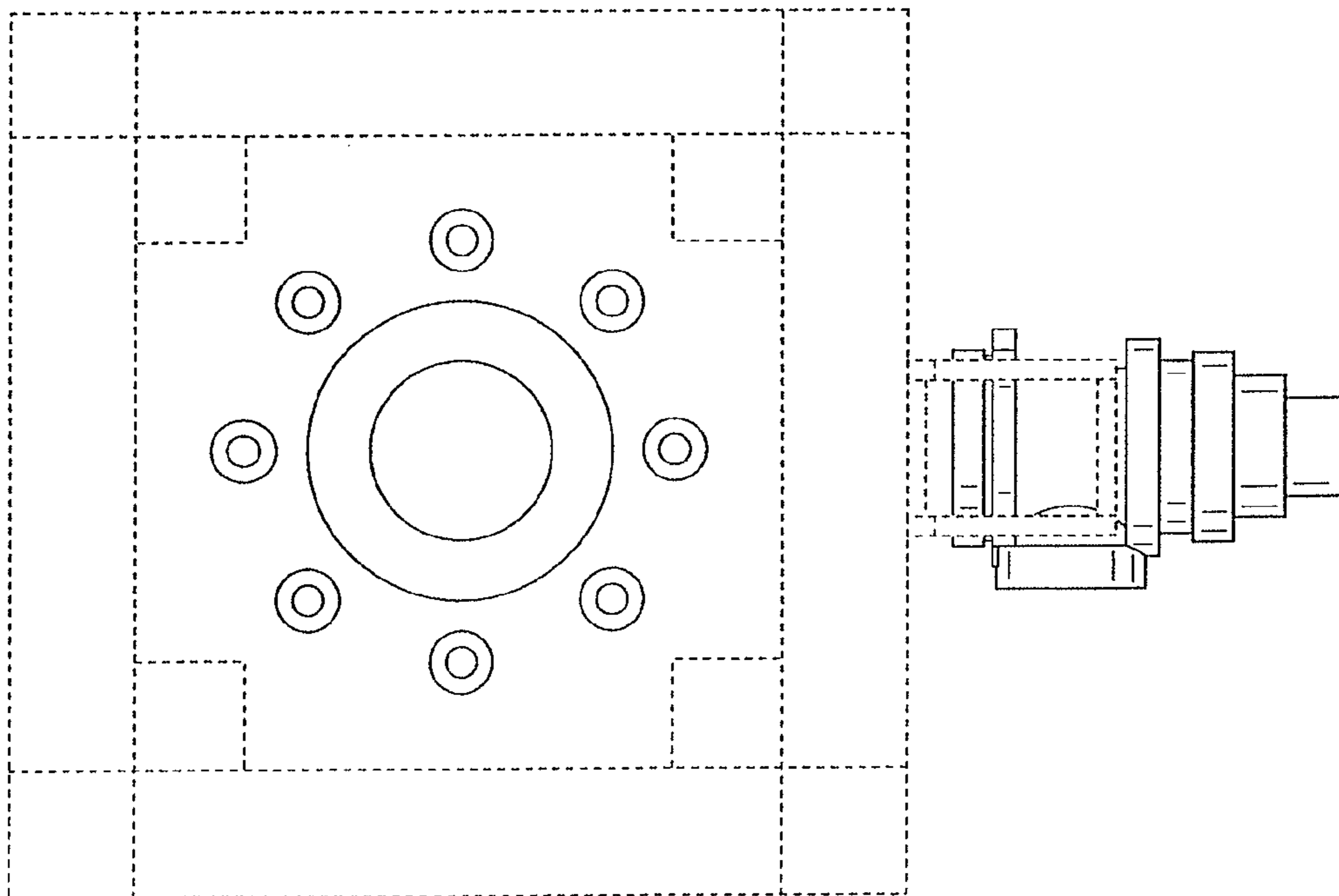


FIG. 14