



US00D671652S

(12) **United States Design Patent**
Middleton

(10) **Patent No.:** **US D671,652 S**

(45) **Date of Patent:** **** Nov. 27, 2012**

(54) **PACIFIER DISPENSER**

(76) Inventor: **Elroy Middleton**, Nashville, TN (US)

(**) Term: **14 Years**

(21) Appl. No.: **29/407,901**

(22) Filed: **Dec. 3, 2011**

(51) **LOC (9) Cl.** **24-04**

(52) **U.S. Cl.** **D24/194**

(58) **Field of Classification Search** D24/115,
D24/117, 193-196, 199, 200, 211, 214;
606/234-236; 215/11.1-11.6; D30/160;
604/77; 119/707, 710, 711; 24/3.1, 3.4,
24/3.13, 301

See application file for complete search history.

(56) **References Cited**

U.S. PATENT DOCUMENTS

2,520,773	A *	8/1950	Muller	215/11.1
2,612,165	A	9/1952	Szuderski		
4,545,378	A *	10/1985	Chrones	606/236
D286,071	S *	10/1986	Fuller	D24/196
5,078,734	A	1/1992	Noble		
D326,151	S	5/1992	Wallace et al.		
5,123,915	A	6/1992	Miller et al.		
5,127,903	A	7/1992	Mailot et al.		
5,176,705	A	1/1993	Noble		
D370,976	S *	6/1996	Lin	D24/194
5,810,886	A	9/1998	Hassan		
D418,604	S *	1/2000	Burym et al.	D24/194
6,110,193	A	8/2000	Chen		
D476,085	S	6/2003	Dumont et al.		
D559,391	S *	1/2008	Kliegman et al.	D24/194

D567,383	S *	4/2008	Rohrig	D24/194
D571,017	S *	6/2008	Rohrig	D24/194
D575,405	S	8/2008	Spalding		
D582,046	S *	12/2008	Rohrig	D24/194
D616,557	S *	5/2010	Roehrig	D24/196
D659,253	S *	5/2012	Valderrama et al.	D24/194
2011/0004244	A1 *	1/2011	Brown et al.	606/234
2012/0143126	A1 *	6/2012	Stewart	604/77

* cited by examiner

Primary Examiner — Susan E Krakower

(74) *Attorney, Agent, or Firm* — James Addison Barry, Jr.

(57) **CLAIM**

The ornamental design for a pacifier dispenser, as shown and described.

DESCRIPTION

FIG. 1 is a front and top isometric view of a pacifier dispenser showing my new design;

FIG. 2 is a side and rear isometric view of the pacifier dispenser shown in FIG. 1;

FIG. 3 is a top plan view of the pacifier dispenser shown in FIG. 1;

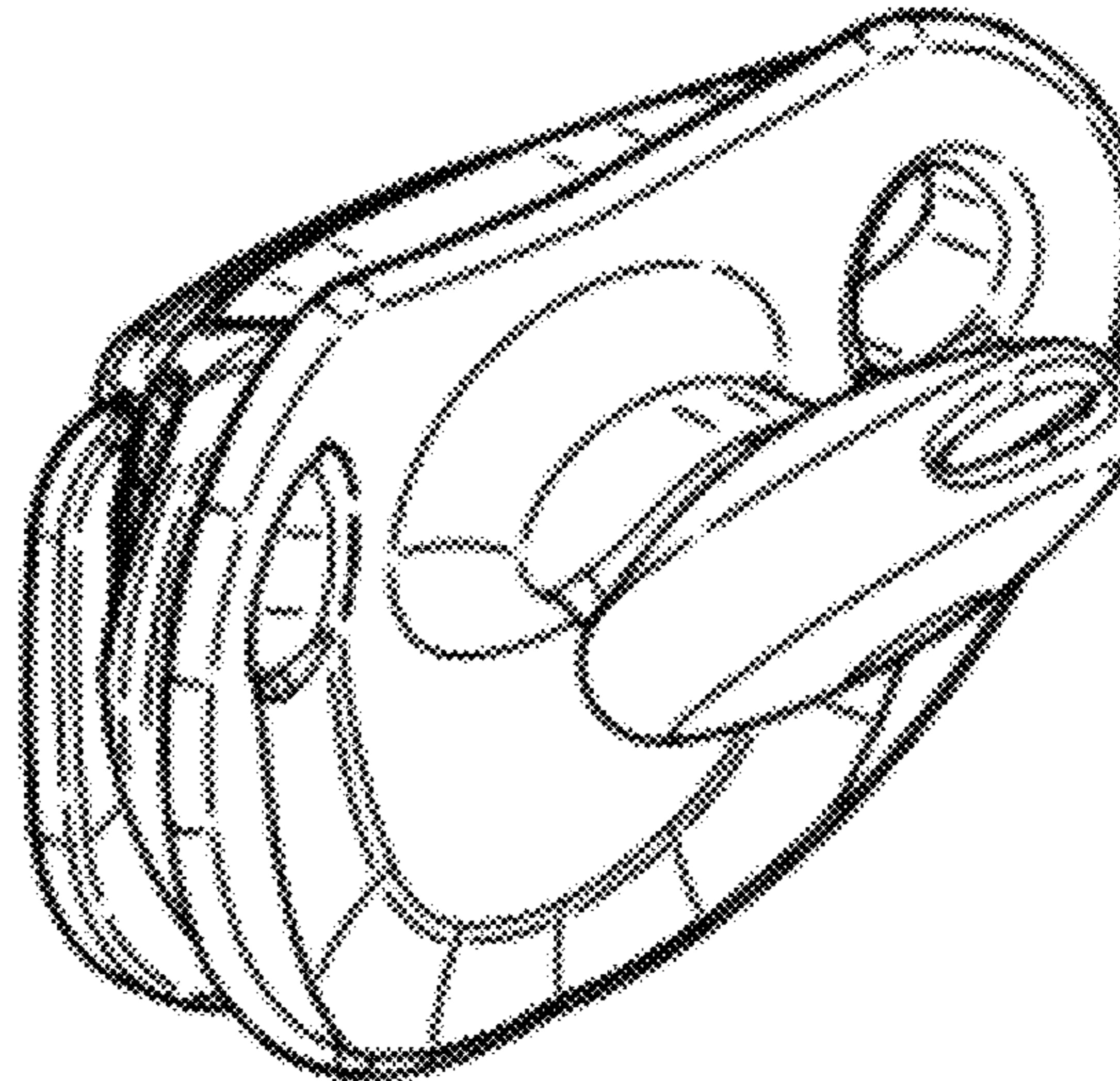
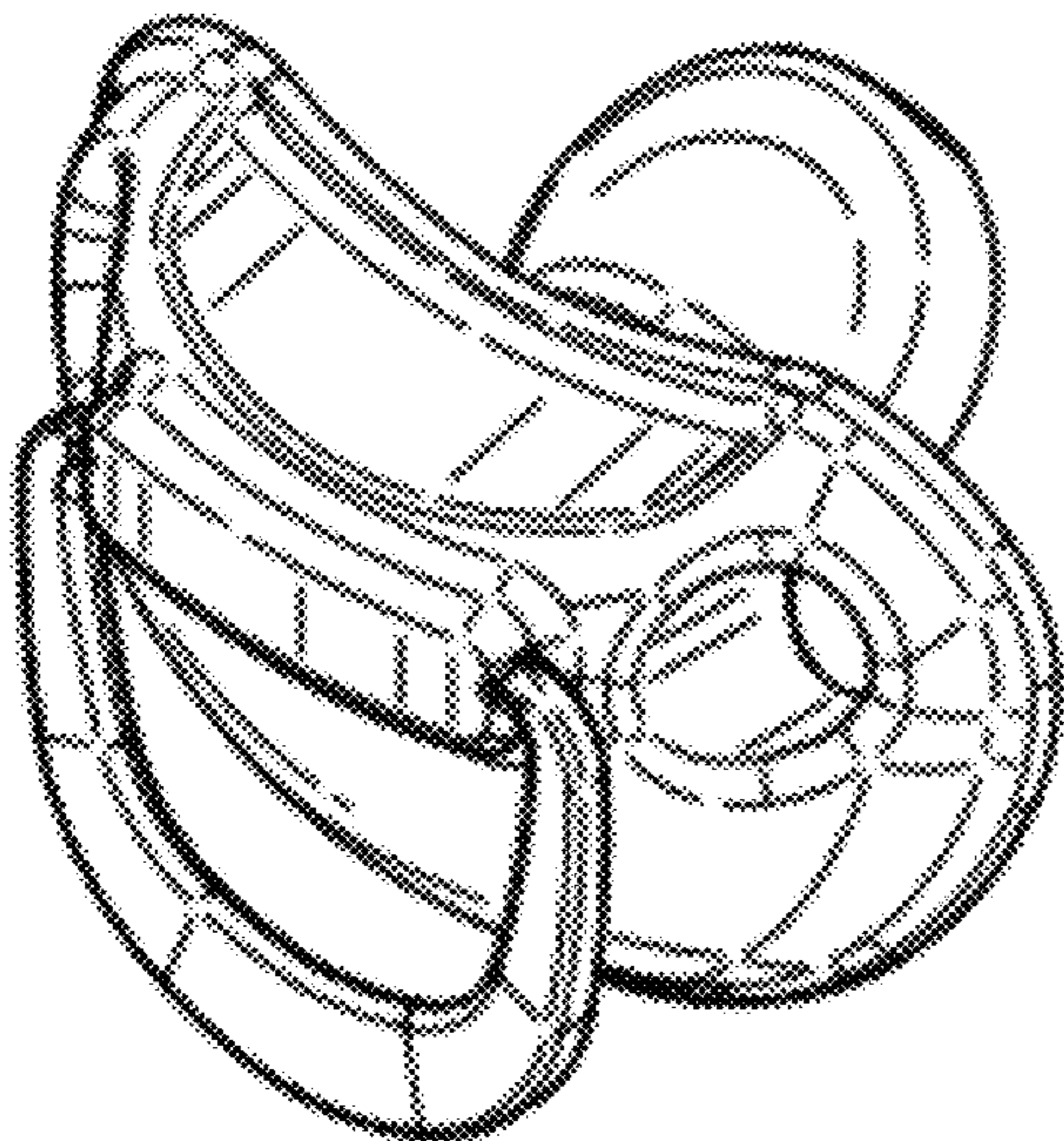
FIG. 4 is a front elevation view of the pacifier dispenser shown in FIG. 1;

FIG. 5 is a right side elevation view of the pacifier dispenser shown in FIG. 1, the left side elevation view being a mirror image thereof;

FIG. 6 is a rear elevation view of the pacifier dispenser shown in FIG. 1; and,

FIG. 7 is a bottom plan view of the pacifier dispenser shown in FIG. 1.

1 Claim, 1 Drawing Sheet



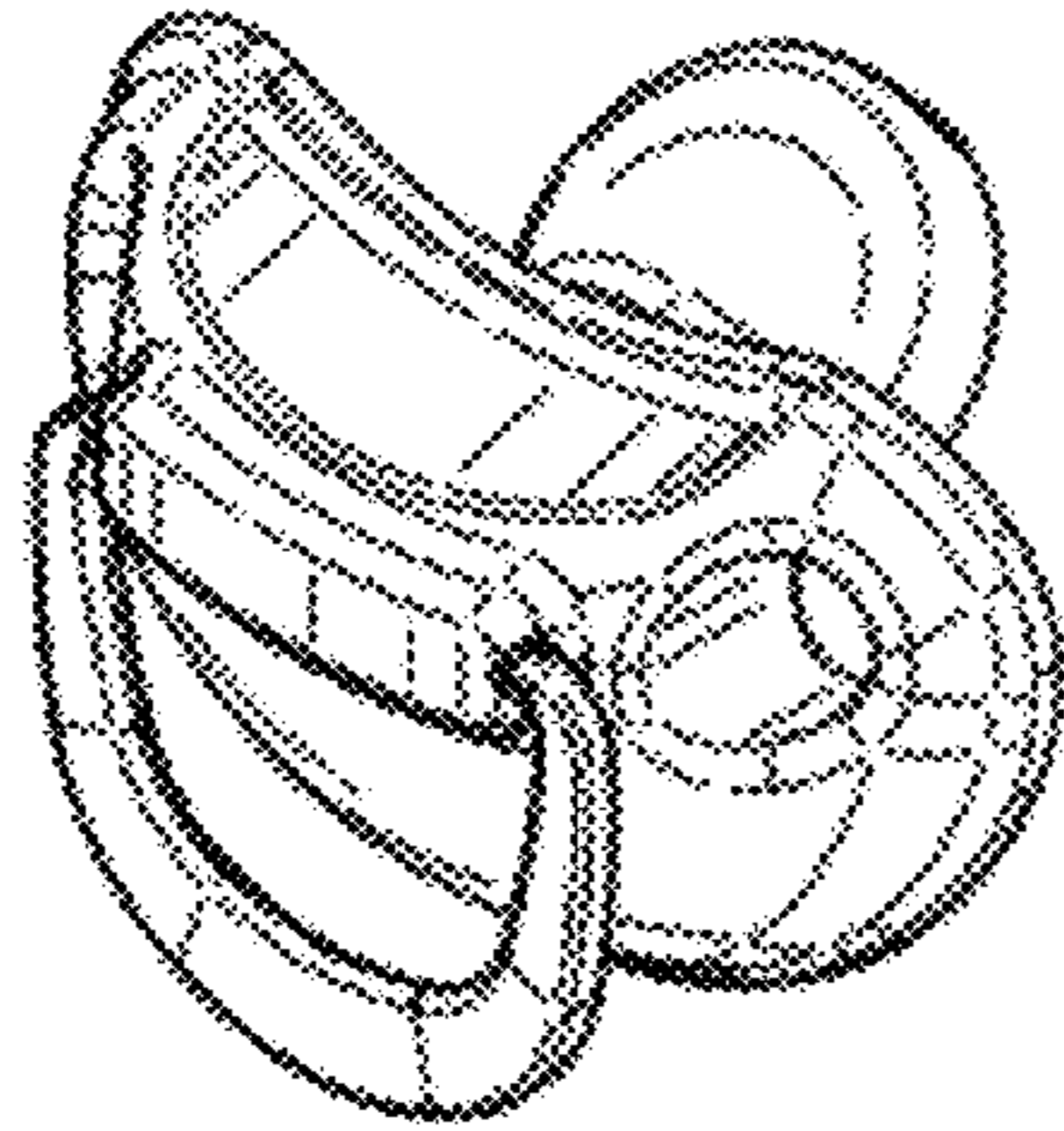


FIG. 1

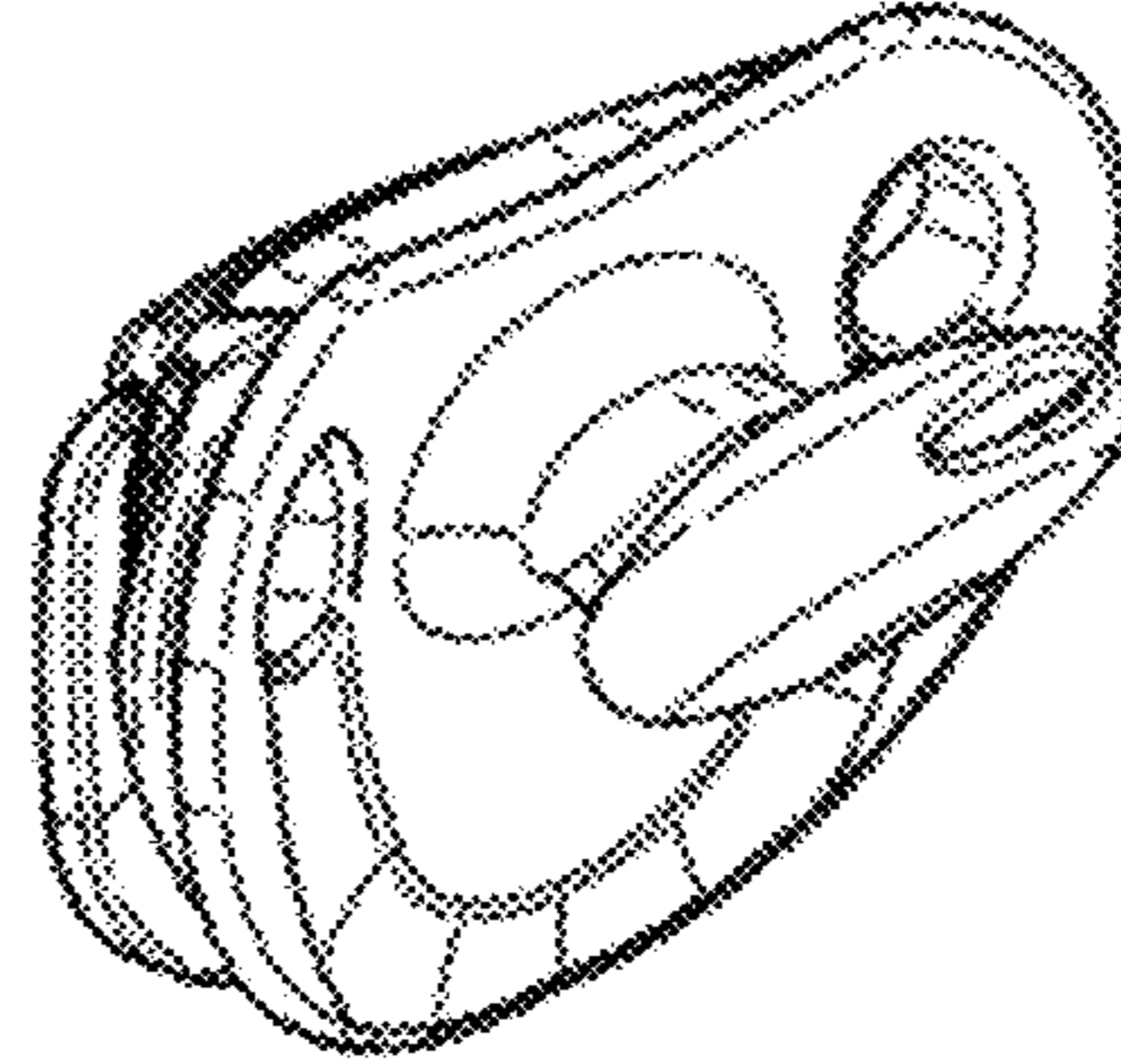


FIG. 2

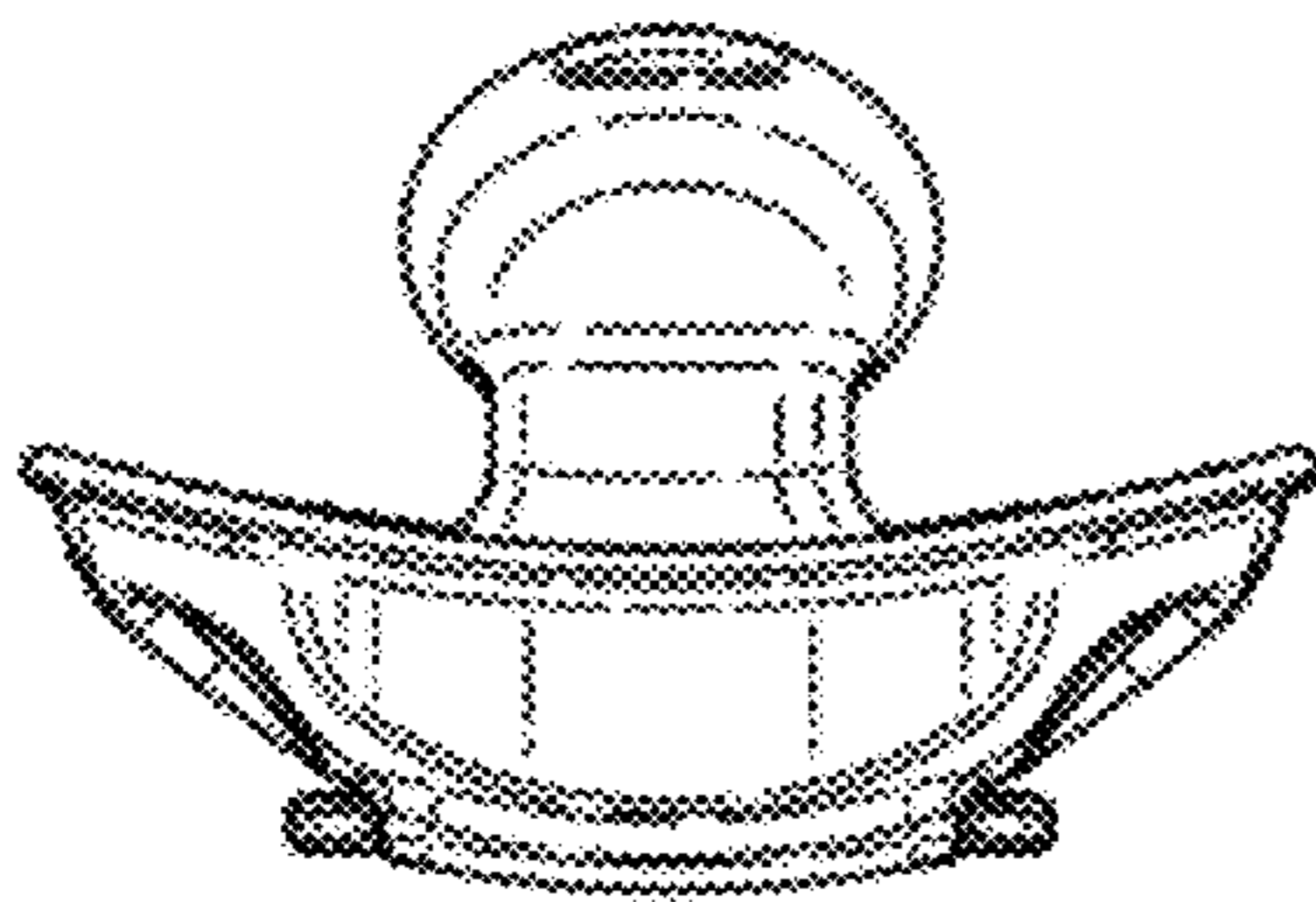


FIG. 3

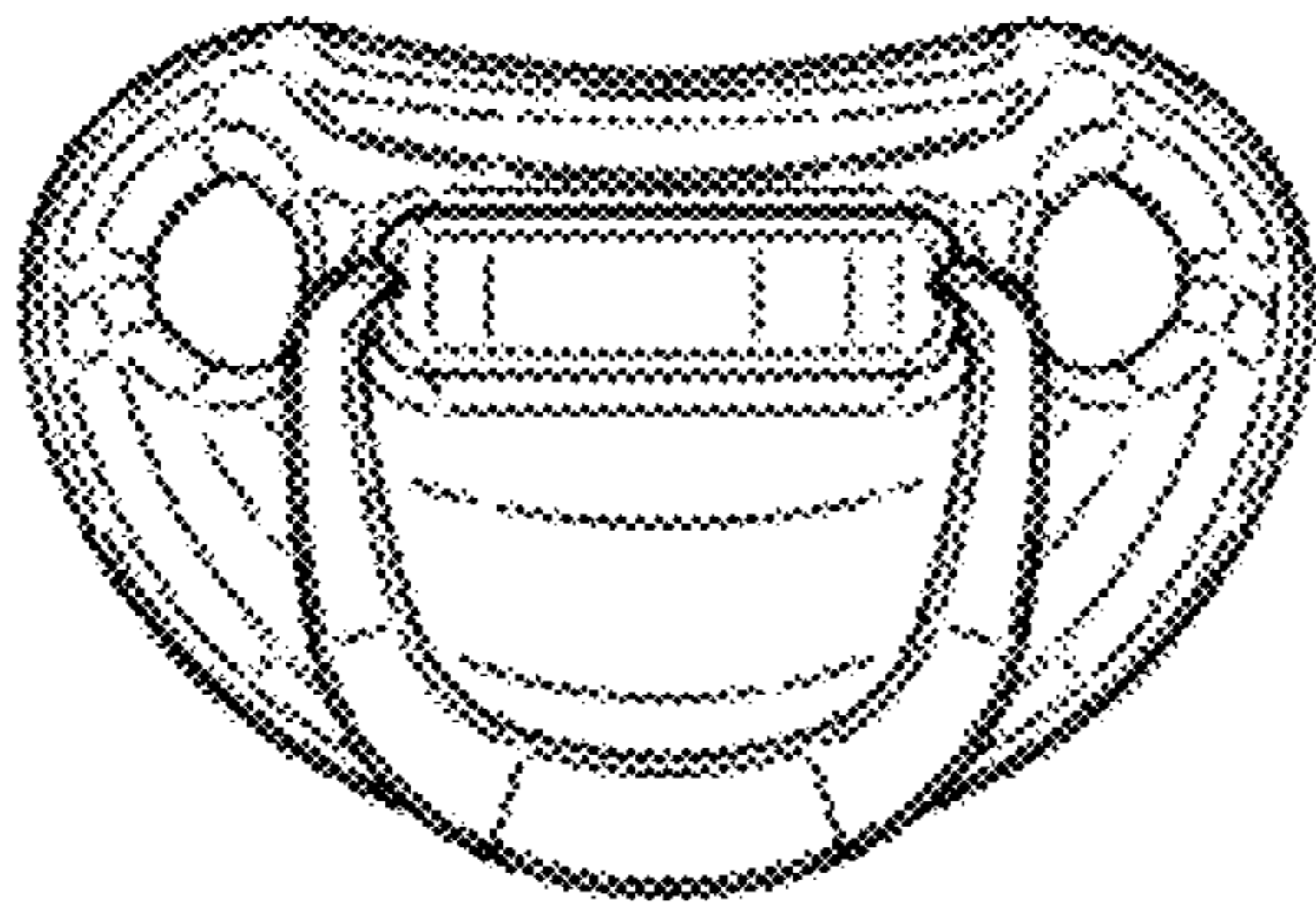


FIG. 4

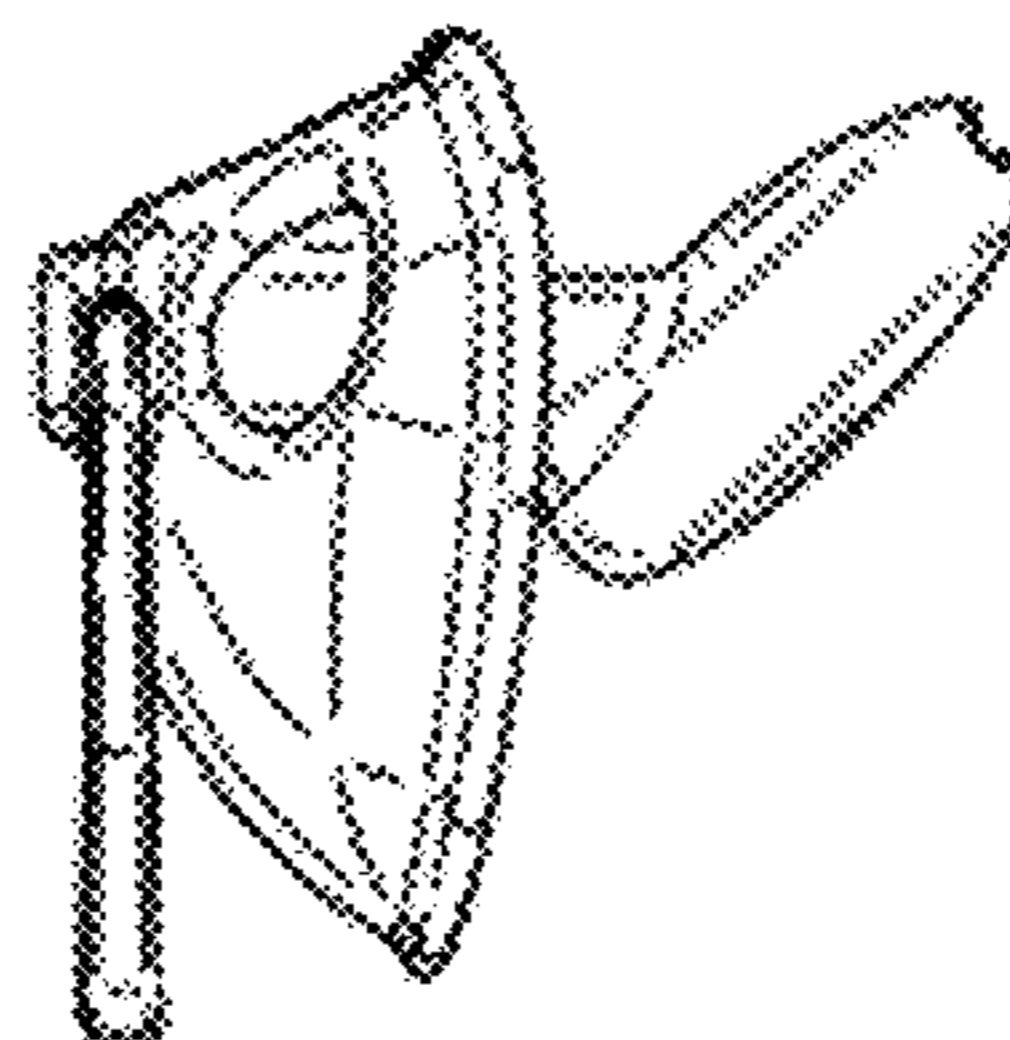


FIG. 5

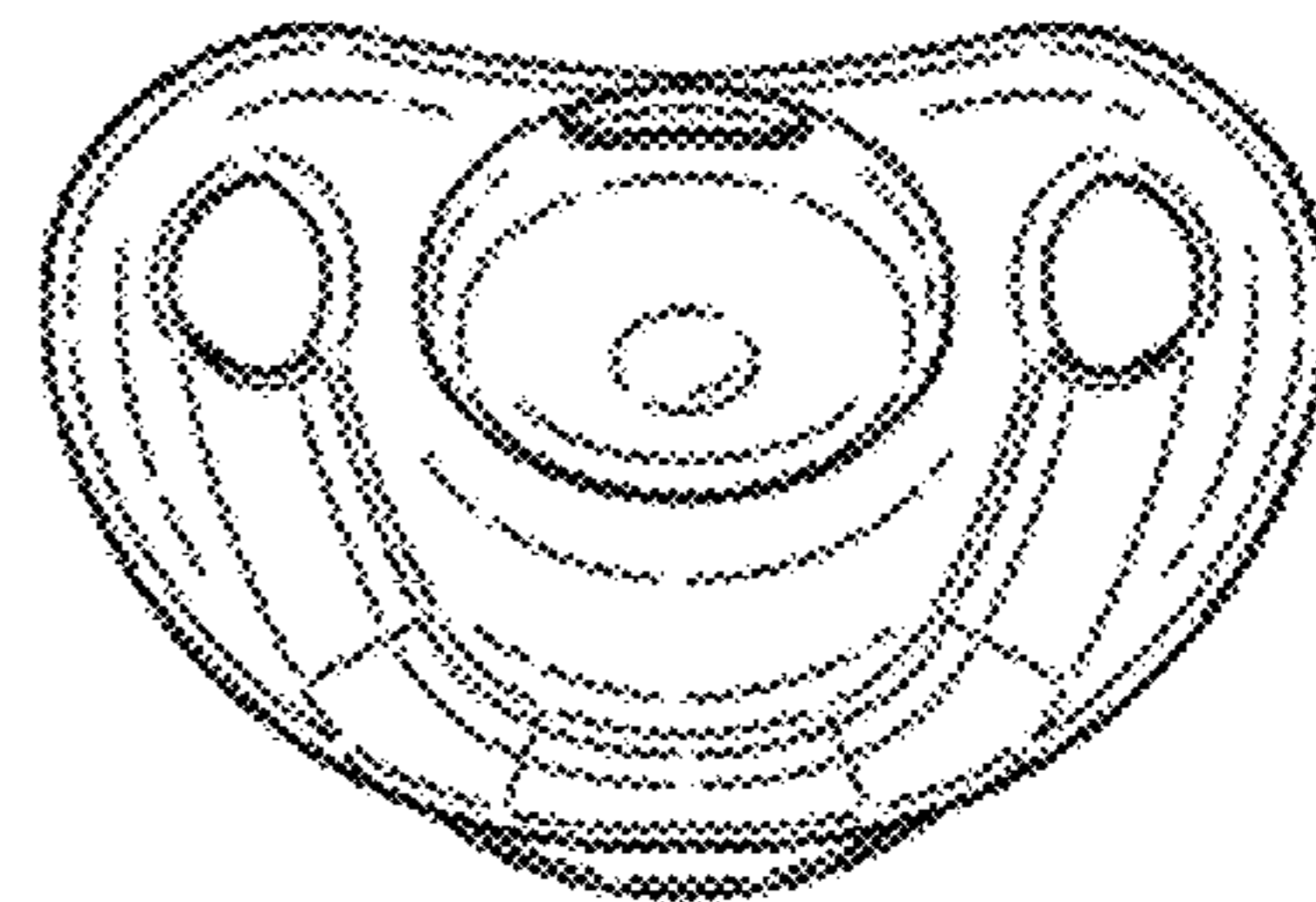


FIG. 6

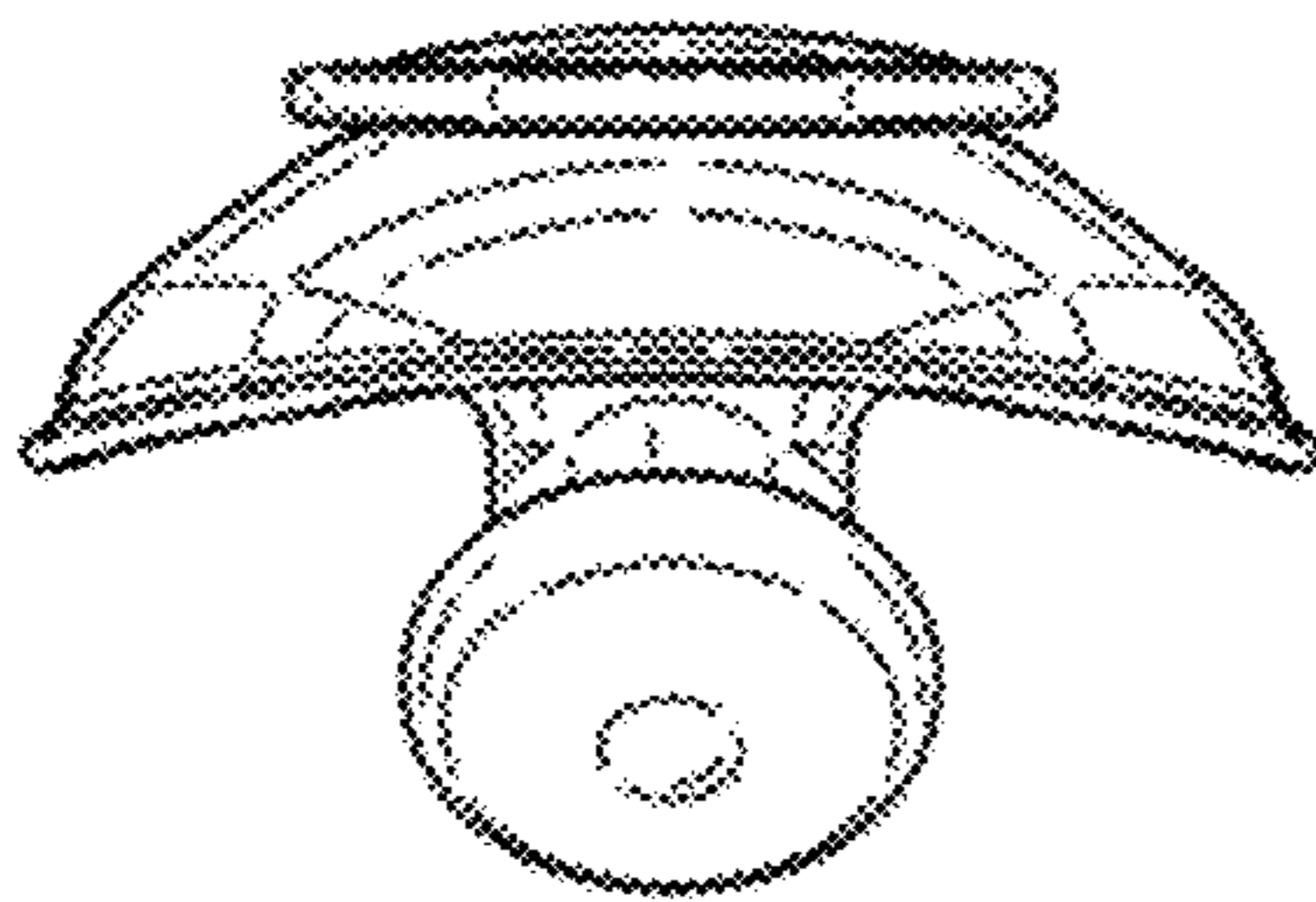


FIG. 7