



US00D671645S

(12) **United States Design Patent**
Curran et al.

(10) **Patent No.:** **US D671,645 S**

(45) **Date of Patent:** **** *Nov. 27, 2012**

- (54) **INTERVERTEBRAL IMPLANT**
- (75) Inventors: **Matthew Curran**, Carlsbad, CA (US);
William Smith, Las Vegas, NV (US)
- (73) Assignee: **NuVasive, Inc.**, San Diego, CA (US)
- (*) Notice: This patent is subject to a terminal disclaimer.
- (**) Term: **14 Years**
- (21) Appl. No.: **29/376,166**
- (22) Filed: **Oct. 1, 2010**

Related U.S. Application Data

- (63) Continuation of application No. 11/901,786, filed on Sep. 18, 2007, now abandoned.
- (51) **LOC (9) Cl.** **24-03**
- (52) **U.S. Cl.** **D24/155**
- (58) **Field of Classification Search** D24/155-157;
606/60, 61, 73, 95, 213, 246, 248, 249; 623/17.11,
623/17.12, 17.13, 17.14, 17.15, 17.16, 23.61,
623/23.56, 247, 213; D15/143, 139
See application file for complete search history.

(56) **References Cited**

U.S. PATENT DOCUMENTS

3,486,505 A	12/1969	Morrison
3,518,993 A	7/1970	Blake
3,604,487 A	9/1971	Gilbert
3,745,995 A	7/1973	Kraus
3,848,601 A	11/1974	Ma et al.
4,026,304 A	5/1977	Levy
4,026,305 A	5/1977	Brownlee et al.
4,646,738 A	3/1987	Trott
4,657,550 A	4/1987	Daher
4,743,256 A	5/1988	Brantigan
4,781,591 A	11/1988	Allen
4,834,757 A	5/1989	Brantigan
4,877,020 A	10/1989	Vich
4,878,915 A	11/1989	Brantigan

4,932,975 A	6/1990	Main et al.
4,961,740 A	10/1990	Ray et al.
4,962,766 A	10/1990	Herzon
5,026,373 A	6/1991	Ray et al.
5,055,104 A	10/1991	Ray
5,062,845 A	11/1991	Kuslich et al.
5,092,572 A	3/1992	Litwak et al.
5,133,717 A	7/1992	Chopin
5,133,755 A	7/1992	Brekke
5,171,278 A	12/1992	Pisharodi
5,192,327 A	3/1993	Brantigan
5,217,497 A	6/1993	Mehdian
5,269,785 A	12/1993	Bonutti
5,284,153 A	2/1994	Raymond et al.
5,290,494 A	3/1994	Coombes et al.
5,300,076 A	4/1994	Leriche
5,304,210 A	4/1994	Crook
5,306,307 A	4/1994	Senter et al.
5,306,309 A	4/1994	Wagner et al.
5,322,505 A	6/1994	Krause et al.
5,334,205 A	8/1994	Cain
5,336,223 A	8/1994	Rogers

(Continued)

Primary Examiner — Ian Simmons

Assistant Examiner — Charles Hanson

(74) *Attorney, Agent, or Firm* — NuVasive, Inc.; Jonathan Spangler; Jennifer Russell

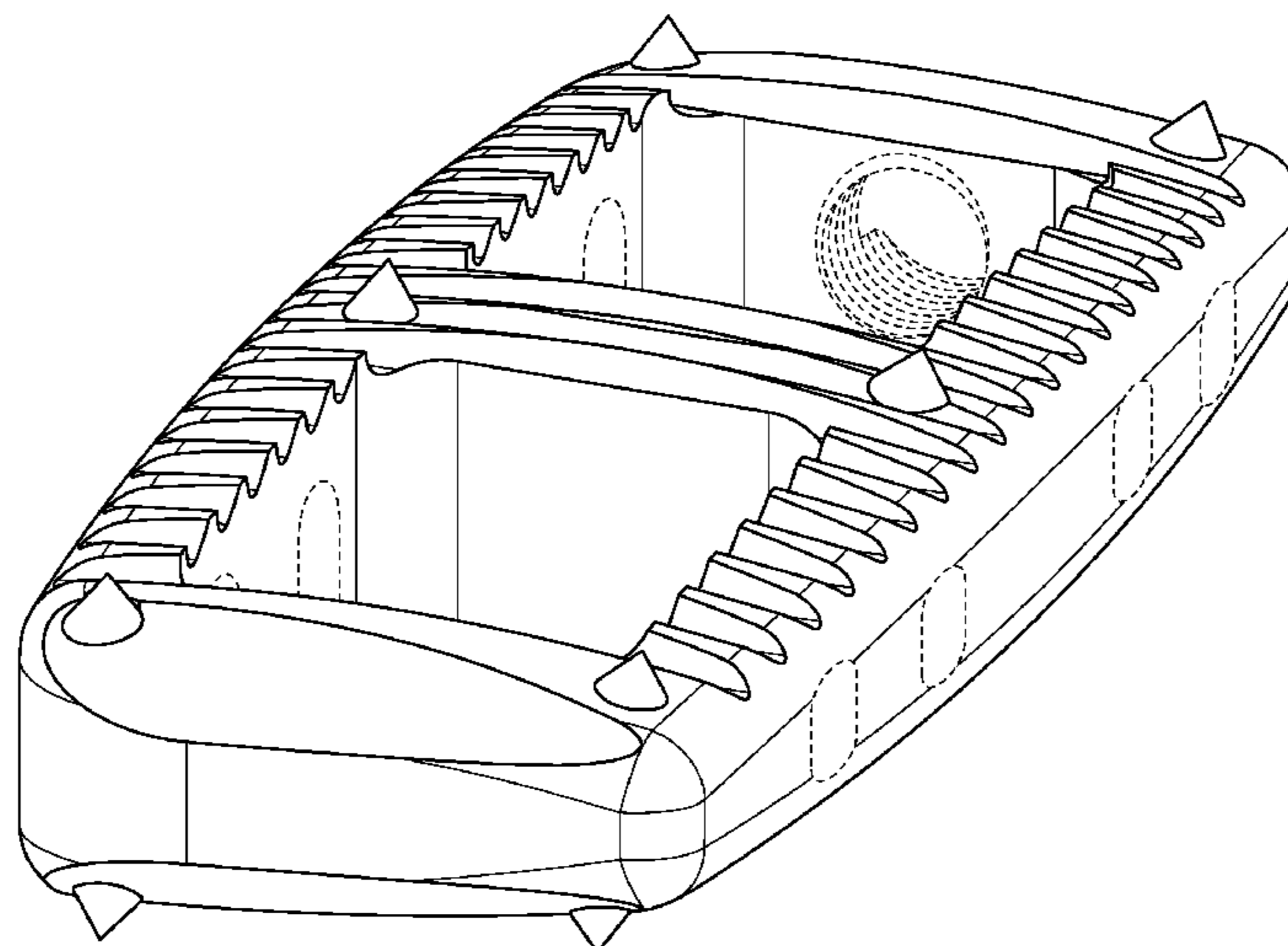
(57) **CLAIM**

The ornamental design for an intervertebral implant, substantially as shown and described.

DESCRIPTION

FIG. 1 is a perspective view of an intervertebral implant showing our new design;
 FIG. 2 is a top view thereof;
 FIG. 3 is a first side view thereof;
 FIG. 4 is a second side view thereof;
 FIG. 5 is a first end view thereof; and,
 FIG. 6 is a second end view thereof.
 The broken line showing is included for the purpose of illustrating environment and forms no part of the claimed design.

1 Claim, 4 Drawing Sheets



US D671,645 S

U.S. PATENT DOCUMENTS							
5,364,400	A	11/1994	Rego, Jr. et al.	5,851,208	A	12/1998	Trott
5,395,372	A	3/1995	Holt et al.	5,860,973	A	1/1999	Michelson
5,397,363	A	3/1995	Gelbard	5,865,845	A	2/1999	Thalgott
5,397,364	A	3/1995	Kozak et al.	5,865,848	A	2/1999	Baker
5,405,391	A	4/1995	Henderson et al.	5,885,299	A	3/1999	Winslow et al.
5,413,602	A	5/1995	Metz-Stavenhagen	5,888,219	A	3/1999	Bonutti
5,425,772	A	6/1995	Brantigan	5,888,224	A	3/1999	Beckers et al.
5,431,658	A	7/1995	Moskovich	5,893,890	A	4/1999	Pisharodi
5,443,514	A	8/1995	Steffee	5,904,719	A	5/1999	Errico et al.
5,443,515	A	8/1995	Cohen et al.	5,910,315	A	6/1999	Stevenson et al.
5,445,639	A	8/1995	Kuslich et al.	5,954,769	A	9/1999	Rosenlicht
5,454,811	A	10/1995	Huebner	5,968,098	A	10/1999	Winslow
5,458,638	A	10/1995	Kuslich et al.	5,993,474	A	11/1999	Ouchi
5,484,403	A	1/1996	Yoakum et al.	6,003,426	A	12/1999	Kobayashi et al.
5,484,437	A	1/1996	Michelson	6,004,326	A	12/1999	Castro et al.
5,489,308	A	2/1996	Kuslich et al.	6,008,433	A	12/1999	Stone
5,514,180	A	5/1996	Heggeness et al.	6,015,436	A	1/2000	Schunhuffer
5,522,879	A	6/1996	Scopelianos	6,033,405	A	3/2000	Winslow et al.
5,522,899	A	6/1996	Michelson	6,039,761	A	3/2000	Li et al.
5,524,624	A	6/1996	Tepper et al.	6,042,582	A	3/2000	Ray
5,527,312	A	6/1996	Ray	6,045,580	A	4/2000	Scarborough et al.
5,534,030	A	7/1996	Navarro et al.	6,048,342	A	4/2000	Zucherman et al.
5,540,688	A	7/1996	Navas	6,059,829	A	5/2000	Schlapfer et al.
5,545,222	A	8/1996	Bonutti	6,063,088	A	5/2000	Winslow
5,562,736	A	10/1996	Ray et al.	6,083,225	A	7/2000	Winslow et al.
5,565,005	A	10/1996	Erickson et al.	6,096,080	A	8/2000	Nicholson et al.
5,571,190	A	11/1996	Ulrich	6,102,948	A	8/2000	Brosnahan, III
5,571,192	A	11/1996	Schonhoffer	6,120,503	A	9/2000	Michelson
5,593,409	A	1/1997	Michelson	6,120,506	A	9/2000	Kohrs et al.
5,609,636	A	3/1997	Kohrs et al.	6,132,472	A	10/2000	Bonutti
5,611,800	A	3/1997	Davis et al.	6,143,033	A	11/2000	Paul et al.
5,611,810	A	3/1997	Arnold et al.	6,159,211	A	12/2000	Boriani et al.
5,632,747	A	5/1997	Scarborough et al.	6,159,215	A	12/2000	Urbahns et al.
5,645,598	A	7/1997	Brosnahan et al.	6,193,756	B1	2/2001	Studer et al.
5,653,761	A	8/1997	Pisharodi	6,200,347	B1	3/2001	Anderson et al.
5,653,762	A	8/1997	Pisharodi	6,224,607	B1	5/2001	Michelson
5,658,336	A	8/1997	Pisharodi	6,224,631	B1	5/2001	Kohrs
5,658,337	A	8/1997	Kohrs et al.	6,241,769	B1	6/2001	Nicholson et al.
5,662,710	A	9/1997	Bonutti	6,241,771	B1	6/2001	Gresser et al.
5,665,122	A	9/1997	Kambin	6,251,140	B1	6/2001	Marino et al.
5,669,909	A	9/1997	Zdeblick et al.	6,258,125	B1	7/2001	Paul et al.
5,676,703	A	10/1997	Gelbard	6,277,149	B1	8/2001	Boyle et al.
5,683,394	A	11/1997	Rinner	6,319,257	B1	11/2001	Carignan et al.
5,683,400	A	11/1997	McGuire	6,371,989	B1	4/2002	Chauvin et al.
5,683,464	A	11/1997	Wagner et al.	6,383,221	B1	5/2002	Scarborough et al.
5,690,629	A	11/1997	Asher et al.	6,409,766	B1	6/2002	Brett
5,700,264	A	12/1997	Zucherman et al.	6,432,140	B1	8/2002	Lin
5,700,291	A	12/1997	Kuslich et al.	6,440,142	B1	8/2002	Ralph et al.
5,700,292	A	12/1997	Marguiles	6,442,814	B1	9/2002	Landry et al.
5,702,449	A	12/1997	McKay	6,447,547	B1	9/2002	Michelson
5,702,451	A	12/1997	Biedermann et al.	6,454,806	B1	9/2002	Cohen et al.
5,702,453	A	12/1997	Rabbe et al.	6,468,311	B2	10/2002	Boyd et al.
5,702,454	A	12/1997	Baumgartner	6,491,724	B1	12/2002	Ferree
5,702,455	A	12/1997	Saggar	6,527,773	B1	3/2003	Lin et al.
5,703,451	A	12/1997	Yamamichi	D472,634	S	4/2003	Anderson
5,707,373	A	1/1998	Sevrain et al.	D473,650	S	4/2003	Anderson
5,711,957	A	1/1998	Patat et al.	6,547,823	B2	4/2003	Scarborough et al.
5,716,415	A	2/1998	Steffee	6,595,998	B2	7/2003	Johnson et al.
5,720,748	A	2/1998	Kuslich et al.	6,626,905	B1	9/2003	Schmiel et al.
5,720,751	A	2/1998	Jackson	6,635,086	B2	10/2003	Lin
5,728,159	A	3/1998	Stroever et al.	6,648,895	B2	11/2003	Burkus et al.
5,741,253	A	4/1998	Michelson	6,672,019	B1	1/2004	Wenz
5,741,261	A	4/1998	Moskovitz et al.	6,676,703	B2	1/2004	Biscup
5,755,797	A	5/1998	Baumgartner	6,743,255	B2	6/2004	Ferree
5,766,252	A	6/1998	Henry et al.	6,746,484	B1	6/2004	Liu et al.
5,772,661	A	6/1998	Michelson	6,755,841	B2	6/2004	Fraser et al.
5,775,331	A	7/1998	Raymond et al.	6,824,564	B2	11/2004	Crozet
5,779,642	A	7/1998	Nightengale	D503,801	S	4/2005	Jackson
5,782,830	A	7/1998	Farris	6,942,698	B1	9/2005	Jackson
5,782,919	A	7/1998	Zdeblick et al.	6,964,687	B1	11/2005	Bernard et al.
5,785,710	A	7/1998	Michelson	6,979,353	B2	12/2005	Bresina
5,797,909	A	8/1998	Michelson	6,984,245	B2	1/2006	McGahan et al.
5,800,549	A	9/1998	Bao et al.	6,986,788	B2	1/2006	Paul et al.
5,800,550	A	9/1998	Sertich	6,989,031	B2	1/2006	Michelson
5,814,084	A	9/1998	Grivas et al.	D530,423	S	10/2006	Miles et al.
				D594,986	S *	6/2009	Miles et al. D24/155
				D620,113	S *	7/2010	Courtney et al. D24/155
				D621,509	S *	8/2010	Lovell D24/155
				D625,820	S *	10/2010	Calverley et al. D24/155

US D671,645 S

Page 3

D627,467 S	*	11/2010	Pannu	D24/155	2002/0058950	A1	5/2002	Winterbottom et al.
D629,104 S	*	12/2010	Calverley et al.	D24/155	2003/0105528	A1	6/2003	Shimp et al.
D629,108 S	*	12/2010	Richter et al.	D24/155	2003/0139812	A1	7/2003	Garcia et al.
D630,749 S	*	1/2011	Tornier	D24/155	* cited by examiner			

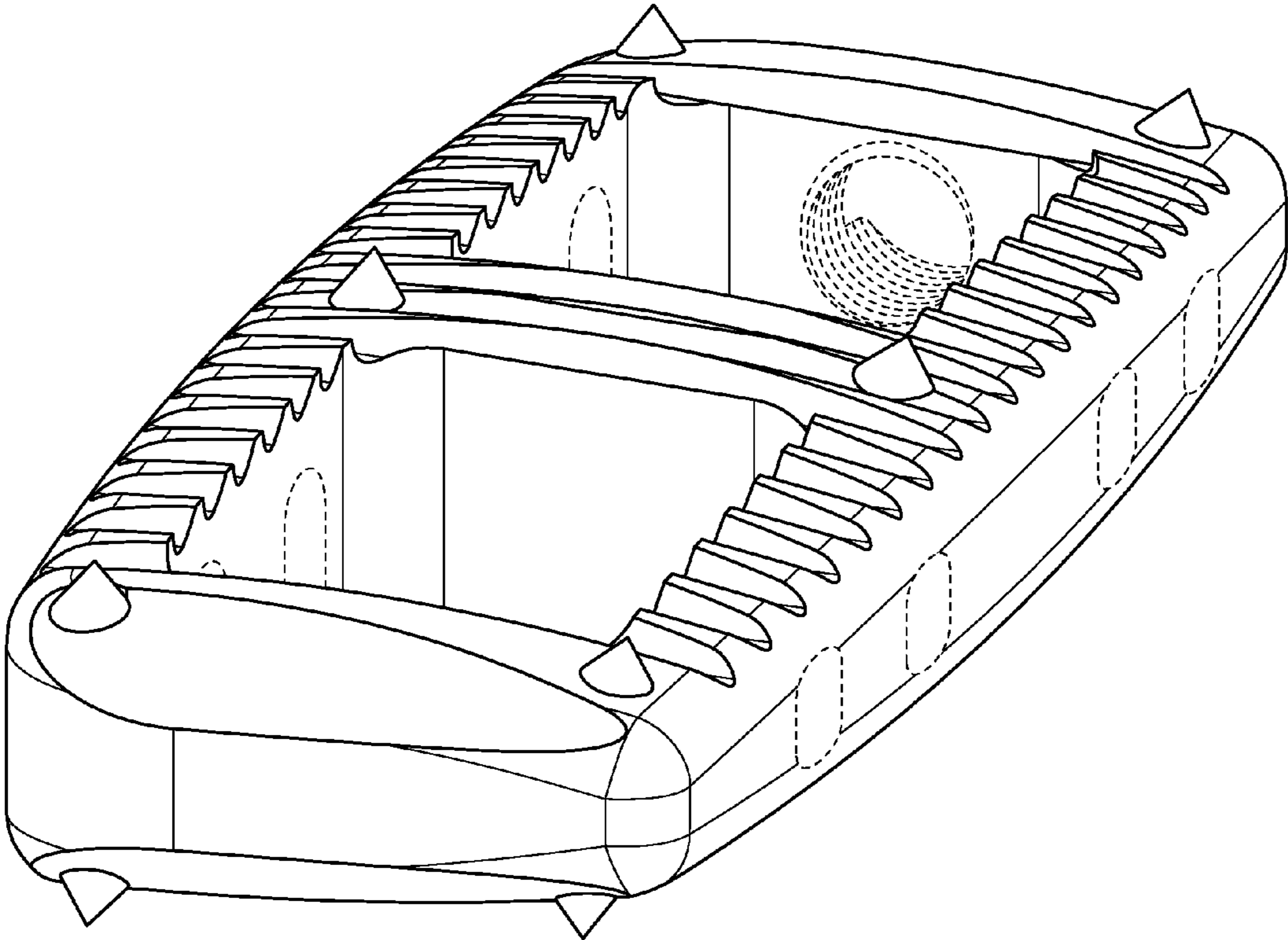


FIG. 1

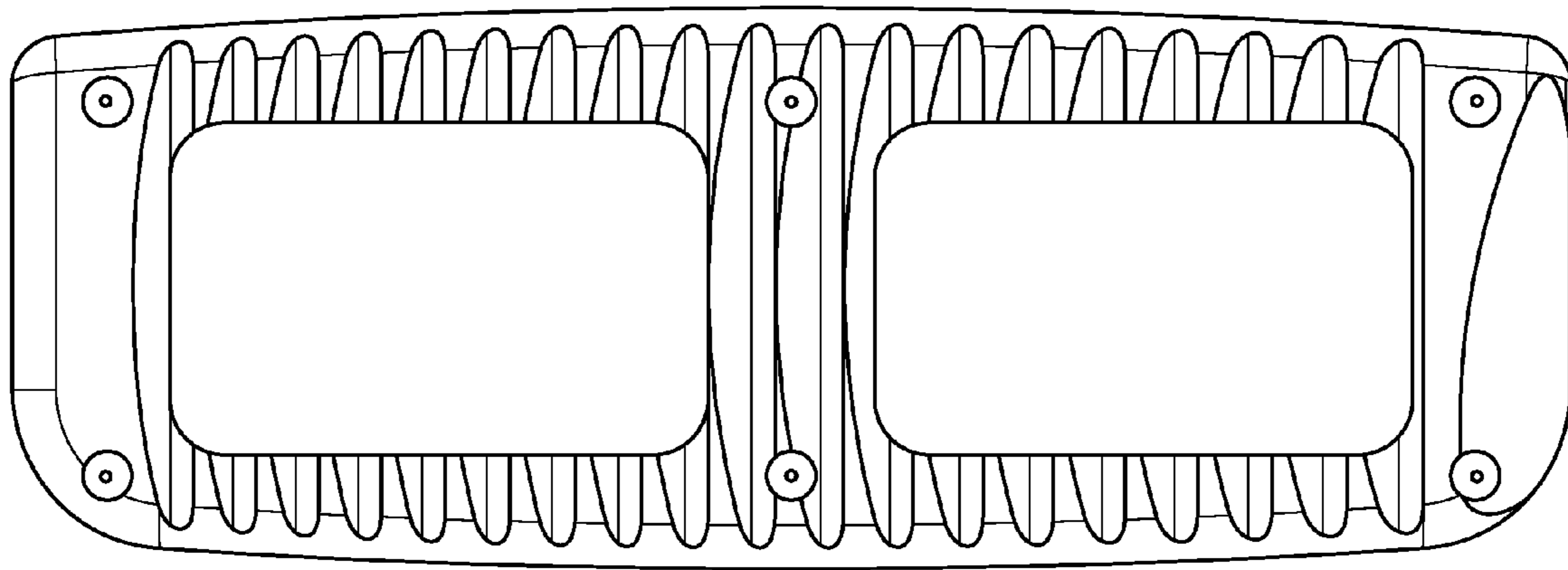


FIG. 2

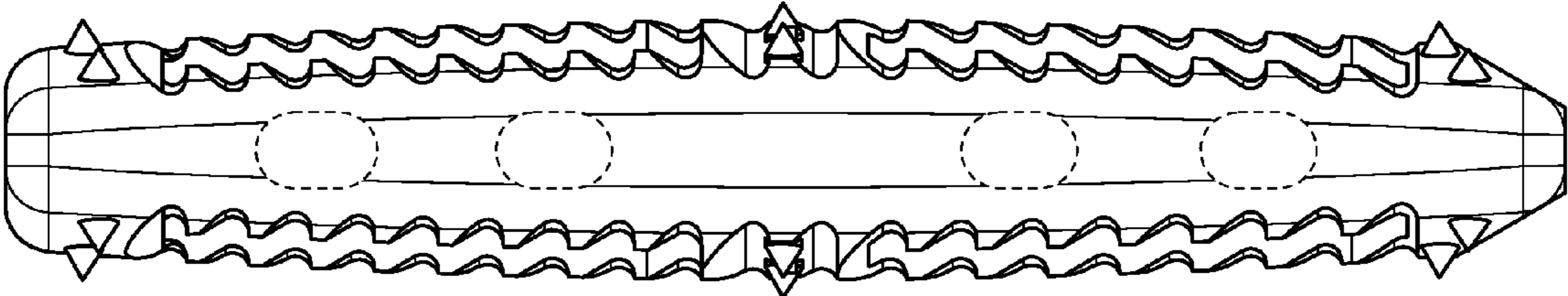


FIG. 3

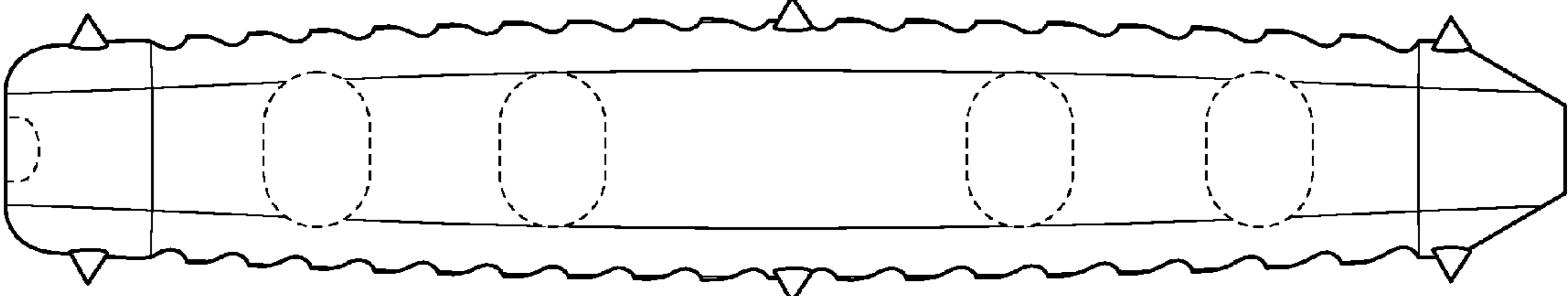


FIG. 4

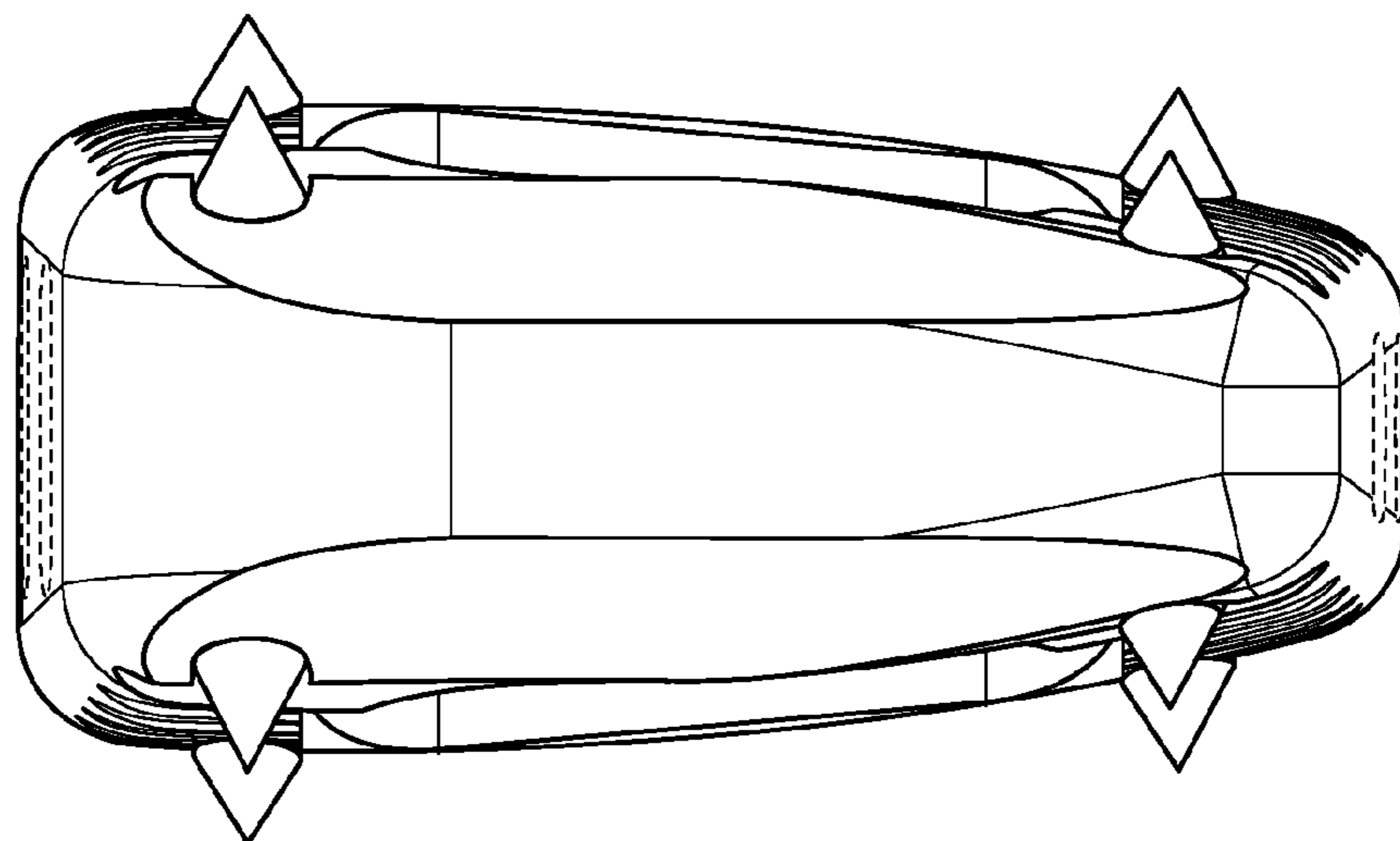


FIG. 5

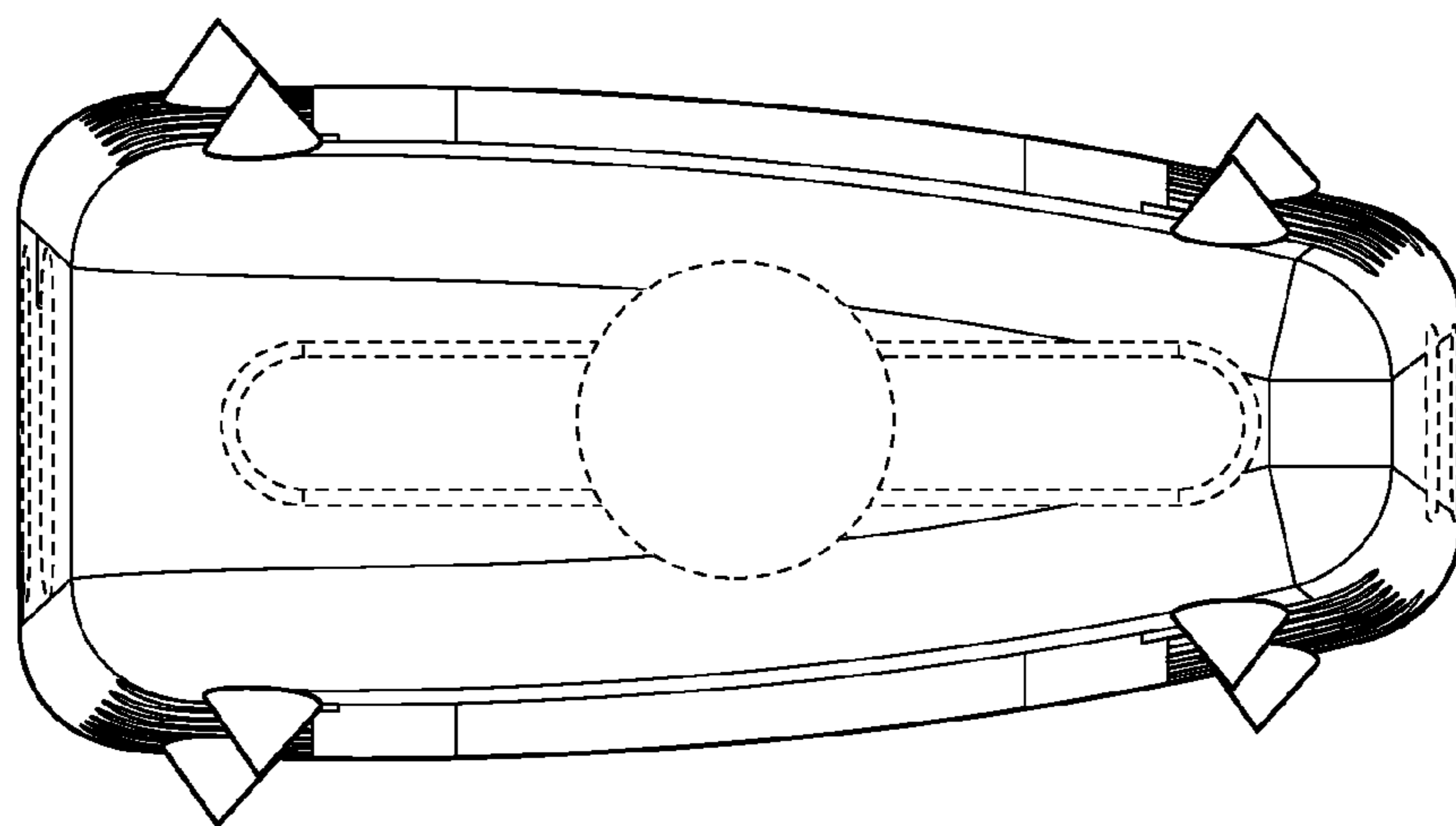


FIG. 6