



US00D671641S

(12) **United States Design Patent**  
**Fritzinger**

(10) **Patent No.:** **US D671,641 S**

(45) **Date of Patent:** **\*\* Nov. 27, 2012**

(54) **DOUBLE ENDED HOHMANN RETRACTOR**

(75) Inventor: **Daniel Fritzinger**, Warsaw, IN (US)

(73) Assignee: **Biomet Manufacturing Corp.**, Warsaw, IN (US)

(\*\*) Term: **14 Years**

(21) Appl. No.: **29/406,722**

(22) Filed: **Nov. 18, 2011**

(51) **LOC (9) Cl.** ..... **24-02**

(52) **U.S. Cl.** ..... **D24/135**

(58) **Field of Classification Search** ..... D24/135,  
D24/133, 140; 600/201, 210, 214, 226, 235;  
606/191-200

See application file for complete search history.

(56) **References Cited**

**U.S. PATENT DOCUMENTS**

D319,503	S	*	8/1991	Summers	.....	D24/136
D333,002	S	*	2/1993	Tarrson et al.	.....	D24/133
D337,158	S	*	7/1993	Summers	.....	D24/136
5,244,386	A	*	9/1993	Angelo, Jr.	.....	433/72
D344,335	S	*	2/1994	Elisha	.....	D24/136
D356,641	S	*	3/1995	Stewart et al.	.....	D24/176
D426,306	S	*	6/2000	Maissami	.....	D24/152
D463,554	S	*	9/2002	Li	.....	D24/139
D522,140	S	*	5/2006	Stalcup et al.	.....	D24/135
D523,142	S	*	6/2006	Stalcup et al.	.....	D24/135
D568,471	S	*	5/2008	Engler	.....	D24/135
D658,286	S	*	4/2012	Ryshkus et al.	.....	D24/135
2003/0055319	A1	*	3/2003	Chang	.....	600/210

**OTHER PUBLICATIONS**

Innomed, Inc., Innomed Orthopedic Instruments (2010).

\* cited by examiner

*Primary Examiner* — Bridget L Eland

(74) *Attorney, Agent, or Firm* — Harness, Dickey

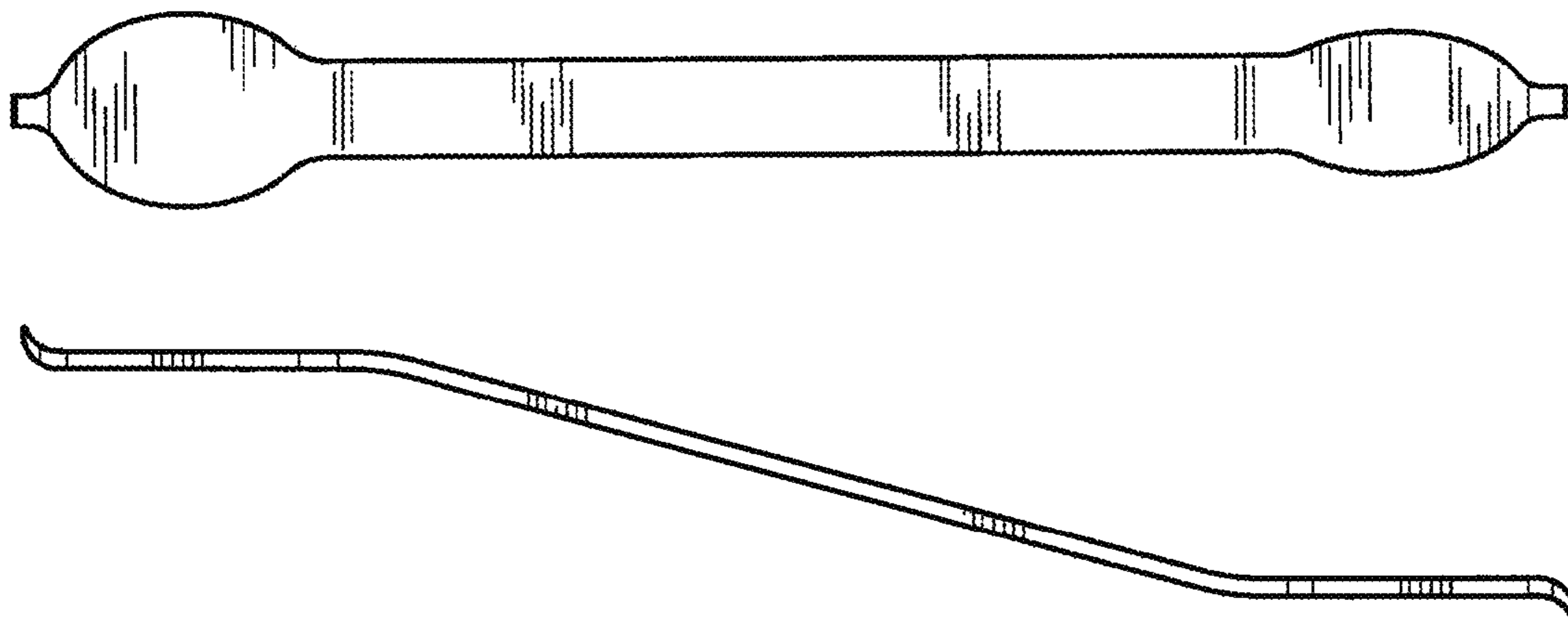
(57) **CLAIM**

The ornamental design for a double ended Hohmann retractor, as shown and described.

**DESCRIPTION**

FIG. 1 is a top perspective view of a first embodiment of a double ended Hohmann retractor showing my new design; FIG. 2 is a top plan view thereof; FIG. 3 is a bottom plan view thereof; FIG. 4 is a right side elevation view thereof, the side opposite being a mirror image; FIG. 5 is a front end elevation view thereof; FIG. 6 is a rear end elevation view thereof; FIG. 7 is a top perspective view of a second embodiment of a double ended Hohmann retractor showing my new design; FIG. 8 is a top plan view thereof; FIG. 9 is a bottom plan view thereof; FIG. 10 is a right side elevation view thereof, the side opposite being a mirror image; FIG. 11 is a front end elevation view thereof; and, FIG. 12 is a rear end elevation view thereof.

**1 Claim, 3 Drawing Sheets**



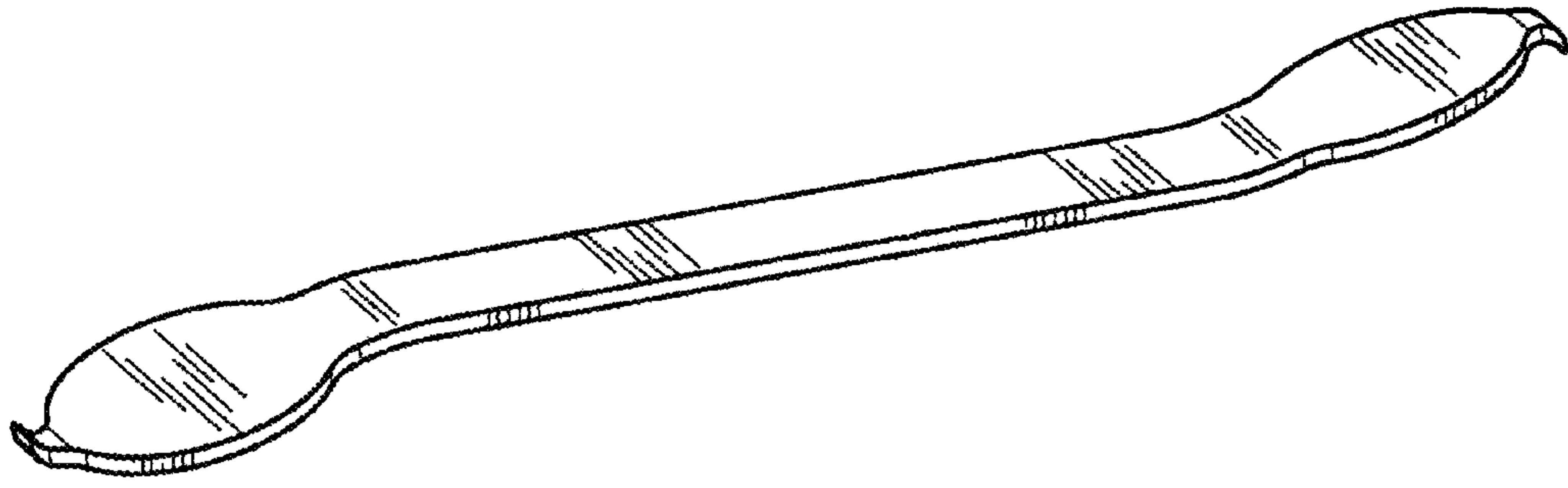


FIG - 1

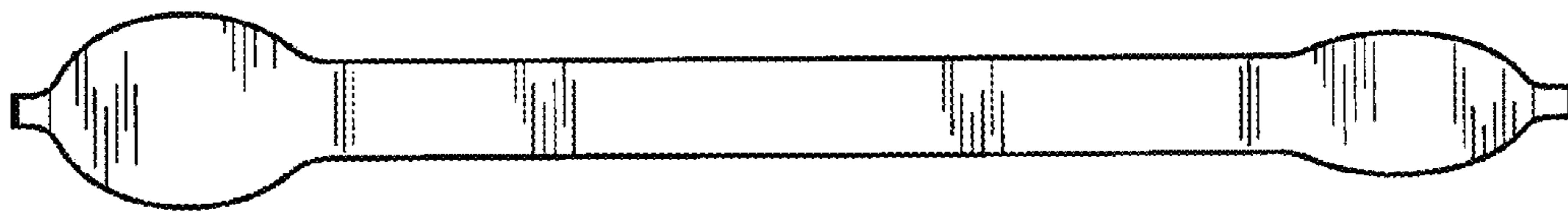


FIG - 2

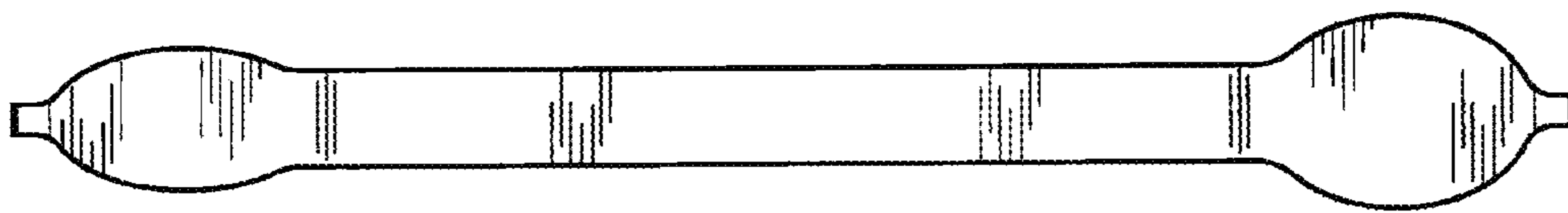


FIG - 3

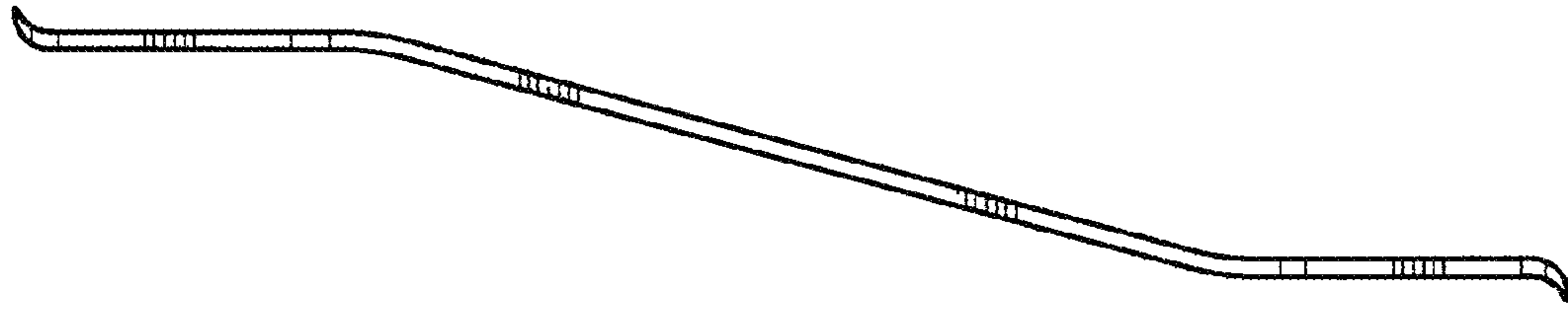


FIG - 4

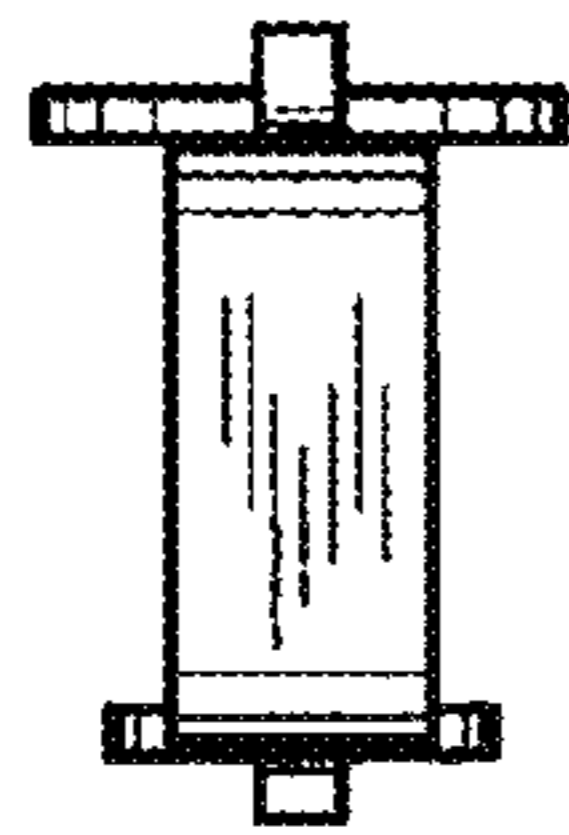


FIG - 5

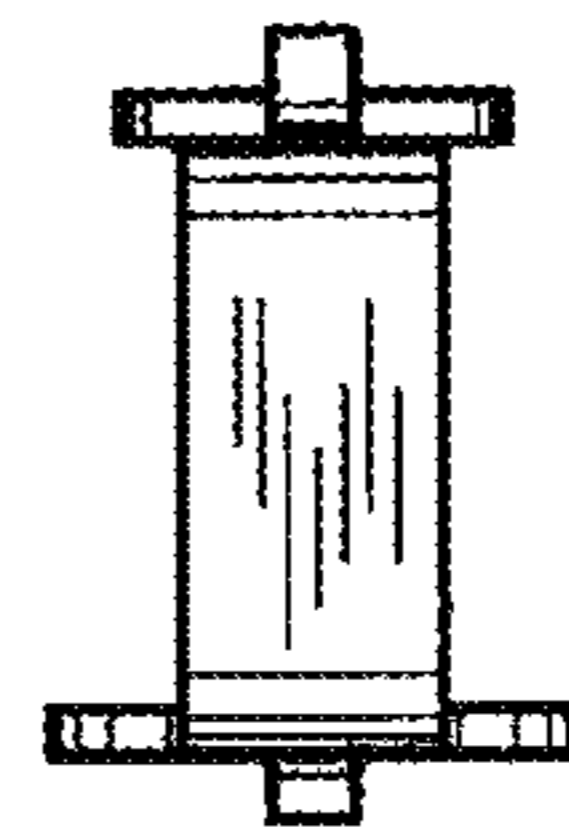


FIG - 6

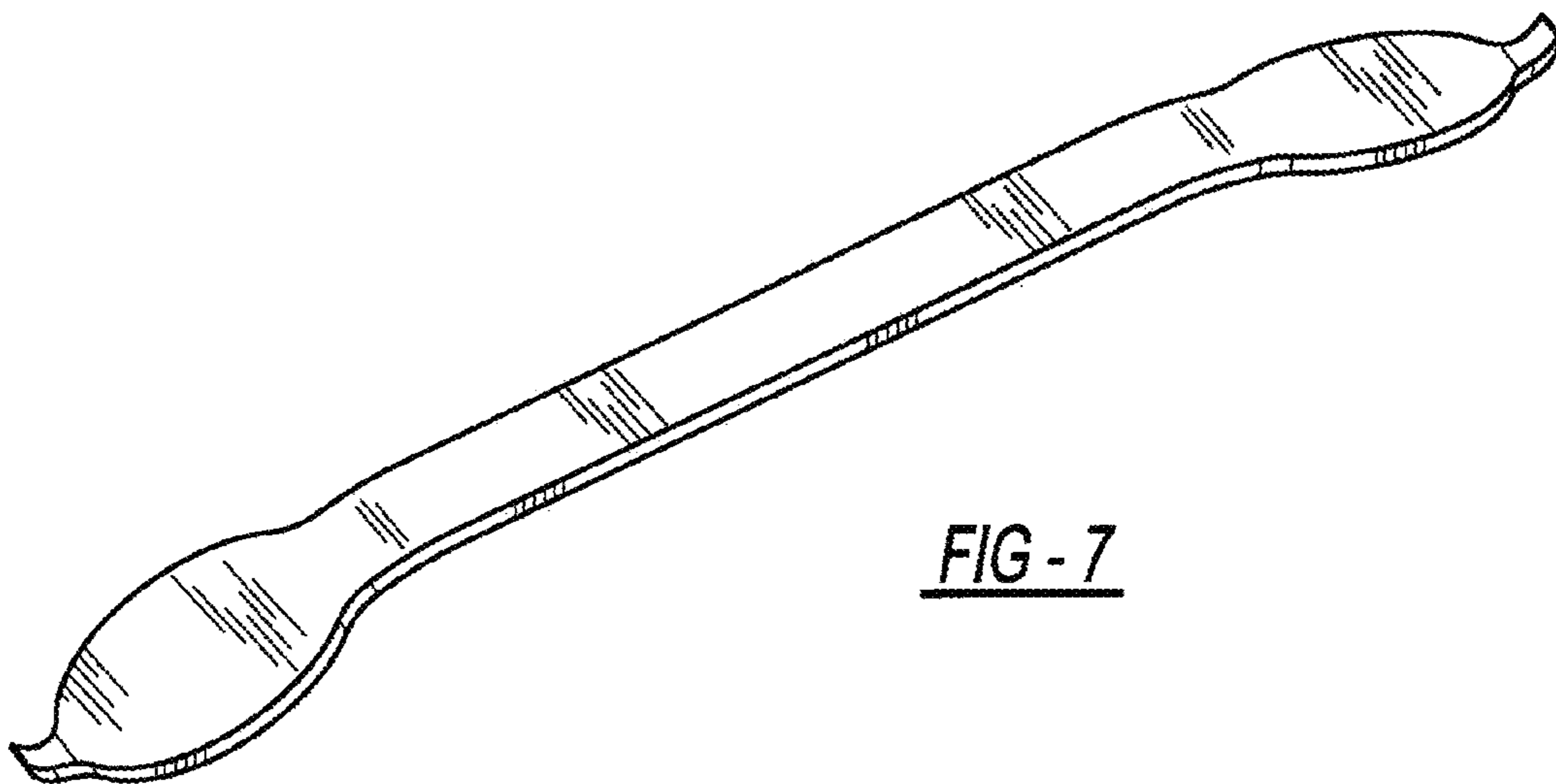


FIG - 7

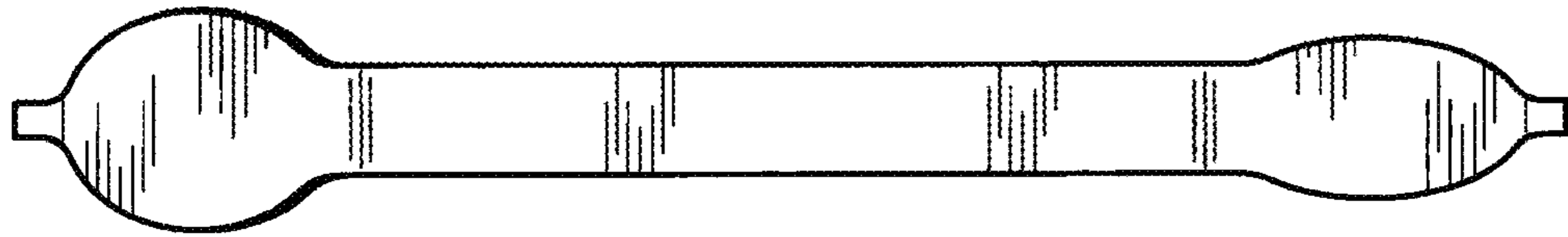


FIG - 8

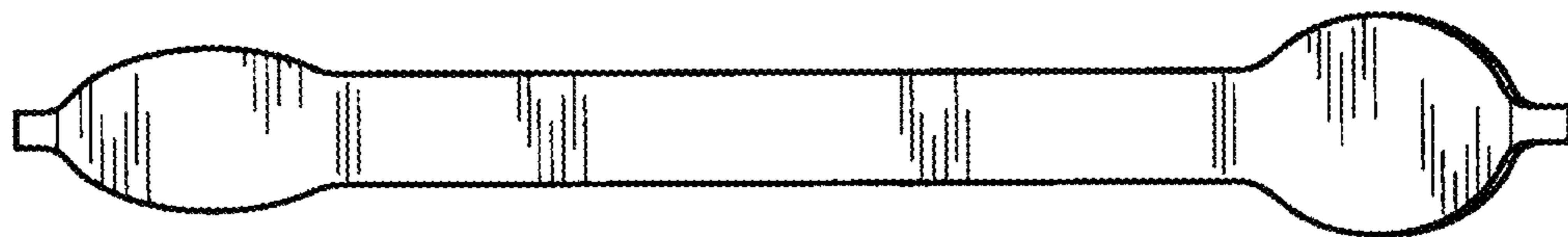


FIG - 9

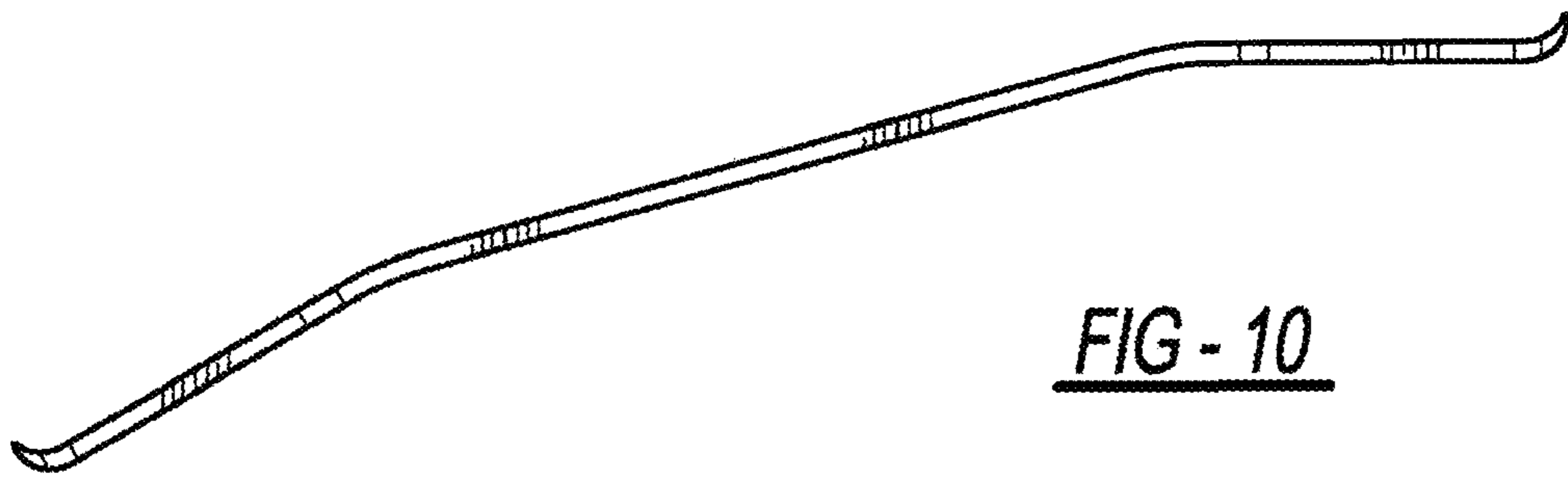


FIG - 10

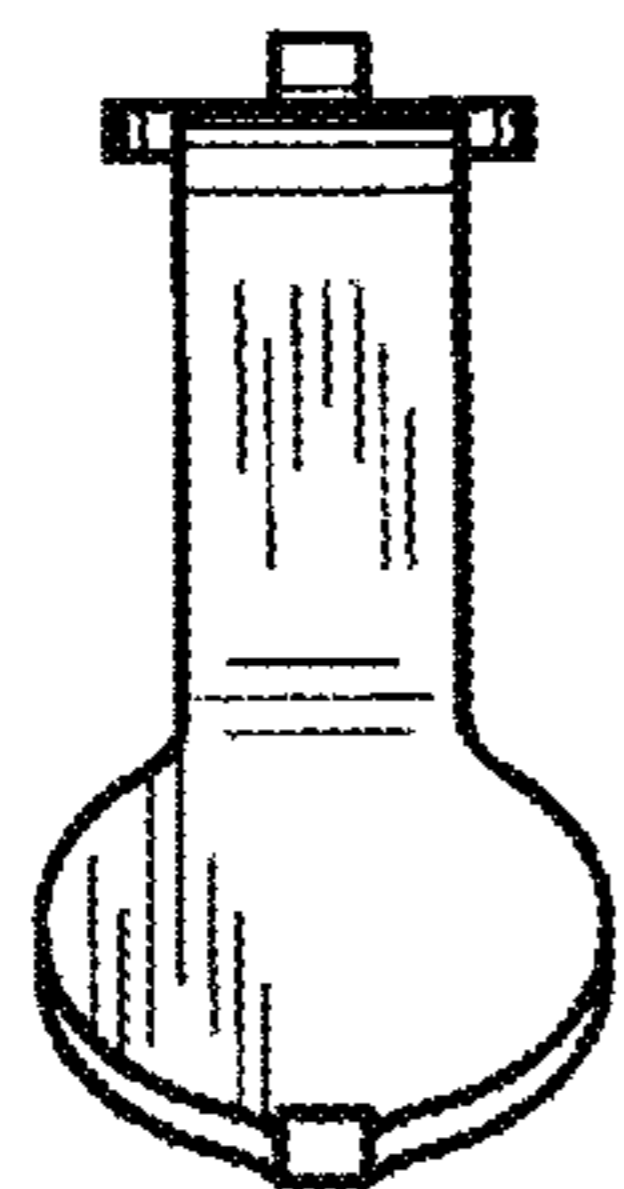


FIG - 11

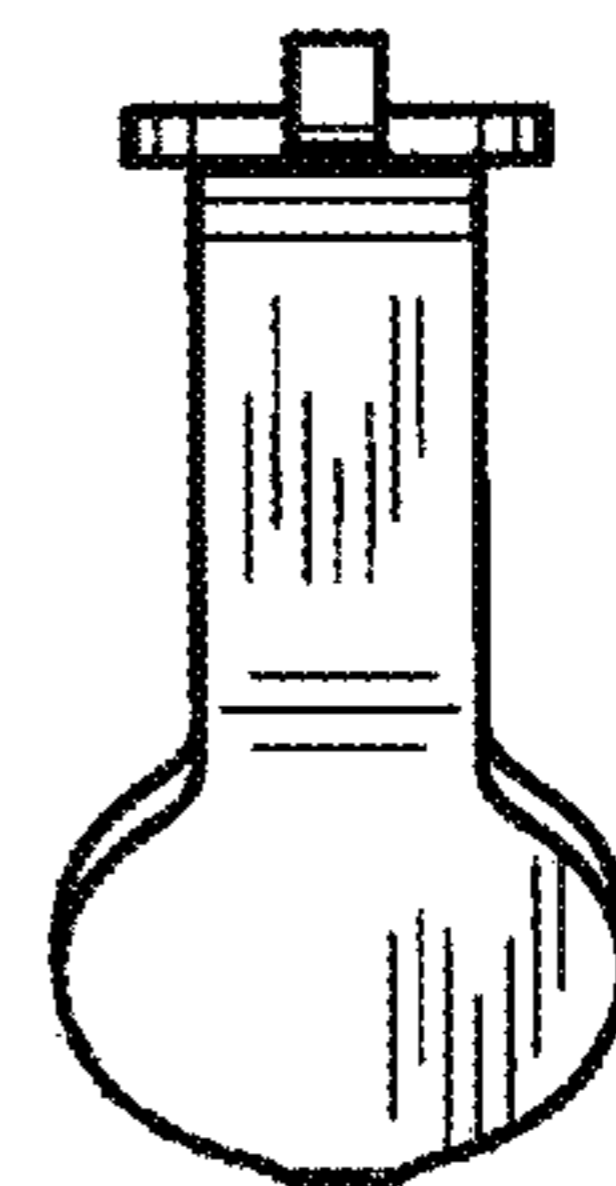


FIG - 12