



US00D671639S

(12) **United States Design Patent**
Trifilio

(10) **Patent No.:** **US D671,639 S**

(45) **Date of Patent:** **** Nov. 27, 2012**

(54) **FLUID MANAGEMENT CONNECTOR**

(75) Inventor: **Christian Trifilio**, St. Paul, MN (US)

(73) Assignee: **Circle Biologics, Inc.**, Minneapolis, MN (US)

(**) Term: **14 Years**

(21) Appl. No.: **29/411,791**

(22) Filed: **Jan. 26, 2012**

Related U.S. Application Data

(62) Division of application No. 29/316,085, filed on Aug. 21, 2009, now Pat. No. Des. 655,814.

(51) **LOC (9) Cl.** **24-02**

(52) **U.S. Cl.** **D24/128**

(58) **Field of Classification Search** D24/110,
D24/129; 604/905, 256, 246, 83, 167.01,
604/167.02, 167.03, 167.04, 533, 538, 539,
604/284, 523, 546

See application file for complete search history.

(56) **References Cited**

U.S. PATENT DOCUMENTS

D239,024 S 3/1976 D'Alo
D239,025 S 3/1976 D'Alo

3,976,073 A 8/1976 Quick et al.
5,350,080 A 9/1994 Brown et al.
5,507,535 A 4/1996 McKamey et al.
D473,941 S 4/2003 Cise et al.
6,764,467 B1 7/2004 Roby et al.
6,908,223 B2 * 6/2005 Bibbo et al. 366/333
D644,731 S * 9/2011 Fangrow, Jr. D24/129
2002/0147429 A1 10/2002 Cowan et al.
2007/0265577 A1 11/2007 Uematsu et al.
2011/0230856 A1 9/2011 Kyle et al.

* cited by examiner

Primary Examiner — Eric Goodman

(74) *Attorney, Agent, or Firm* — Kagan Binder, PLLC

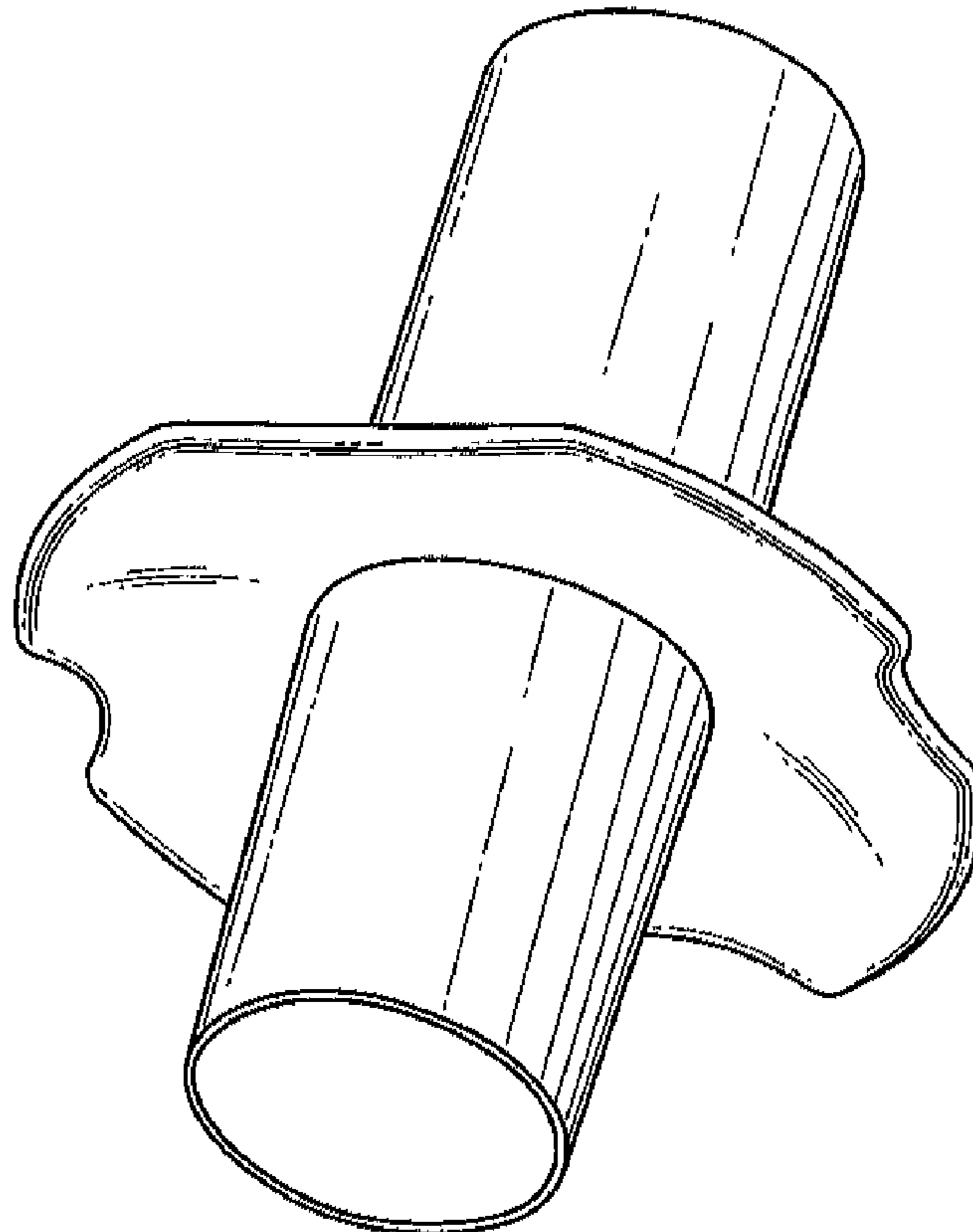
(57) **CLAIM**

The ornamental design for a fluid management connector, as shown and described.

DESCRIPTION

FIG. 1 is a perspective view of a fluid management connector showing my new design;
FIG. 2 is a right side view of our new design, the left side view being identical thereof;
FIG. 3 is a front view of our new design, the rear view being identical thereof;
FIG. 4 is a bottom view of our new design; and,
FIG. 5 is a top view of our new design.
The broken line portions of FIGS. 4-5 are for illustrative purposes only and form no part of the claimed design.

1 Claim, 3 Drawing Sheets



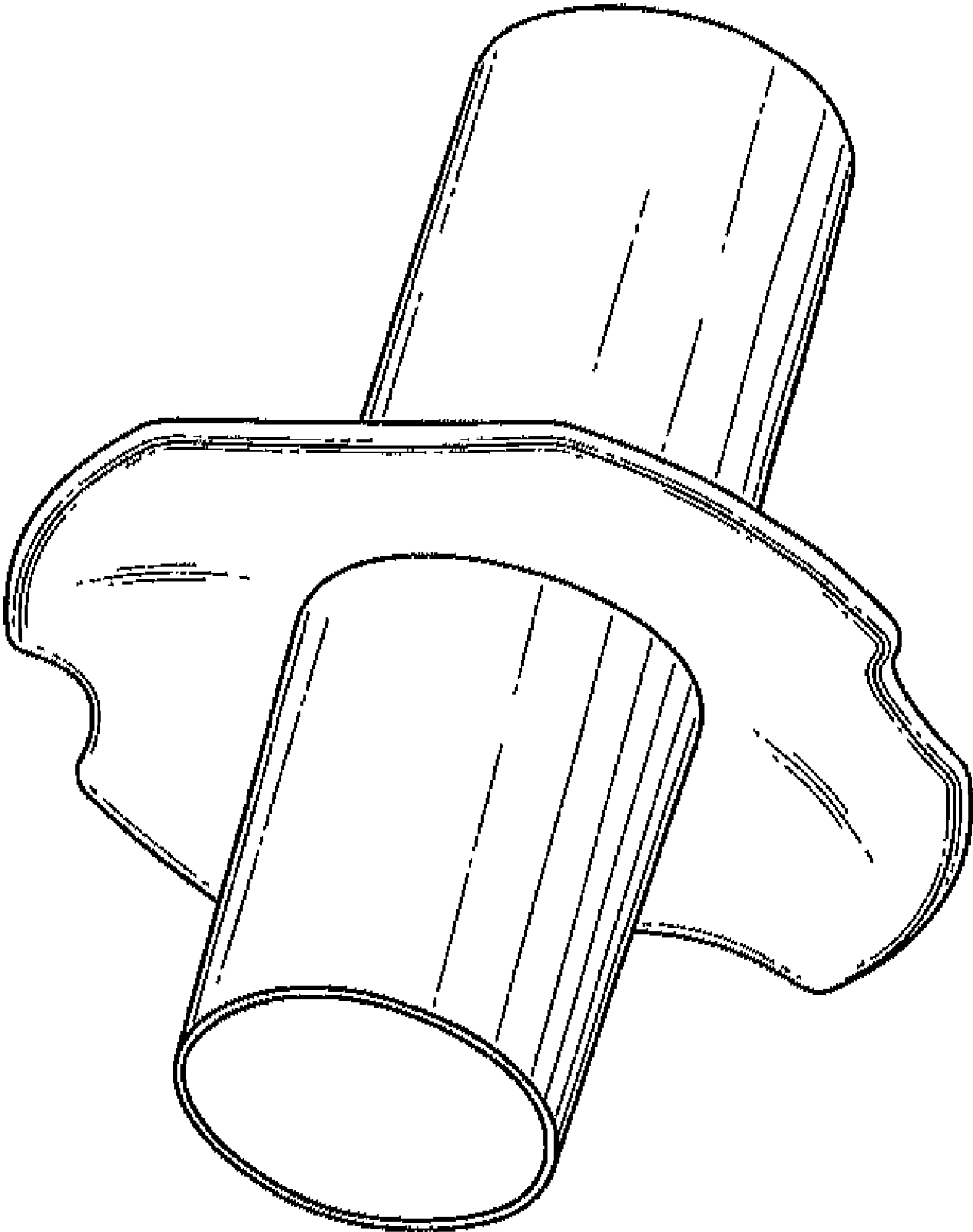


Fig. 1

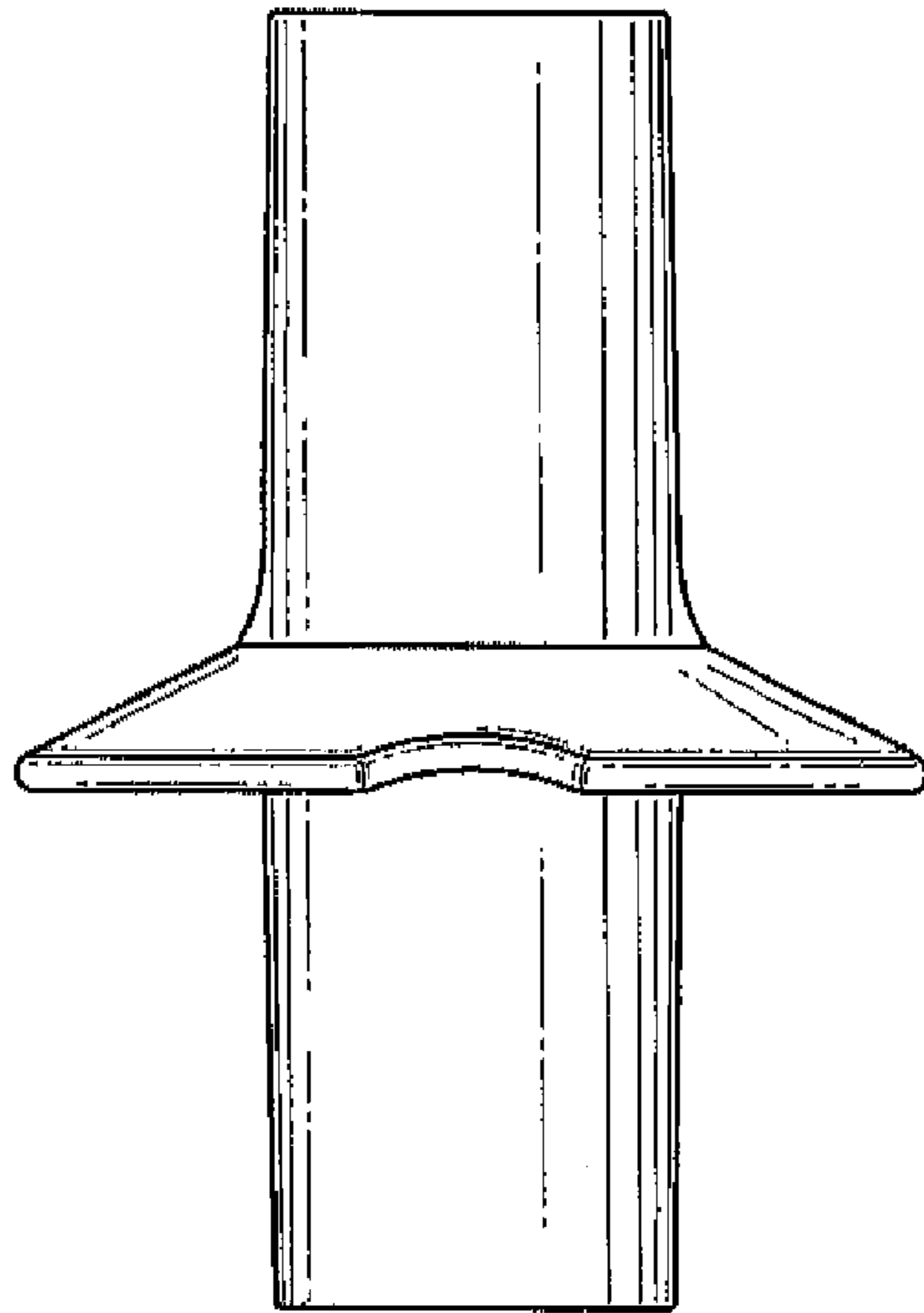


Fig. 2

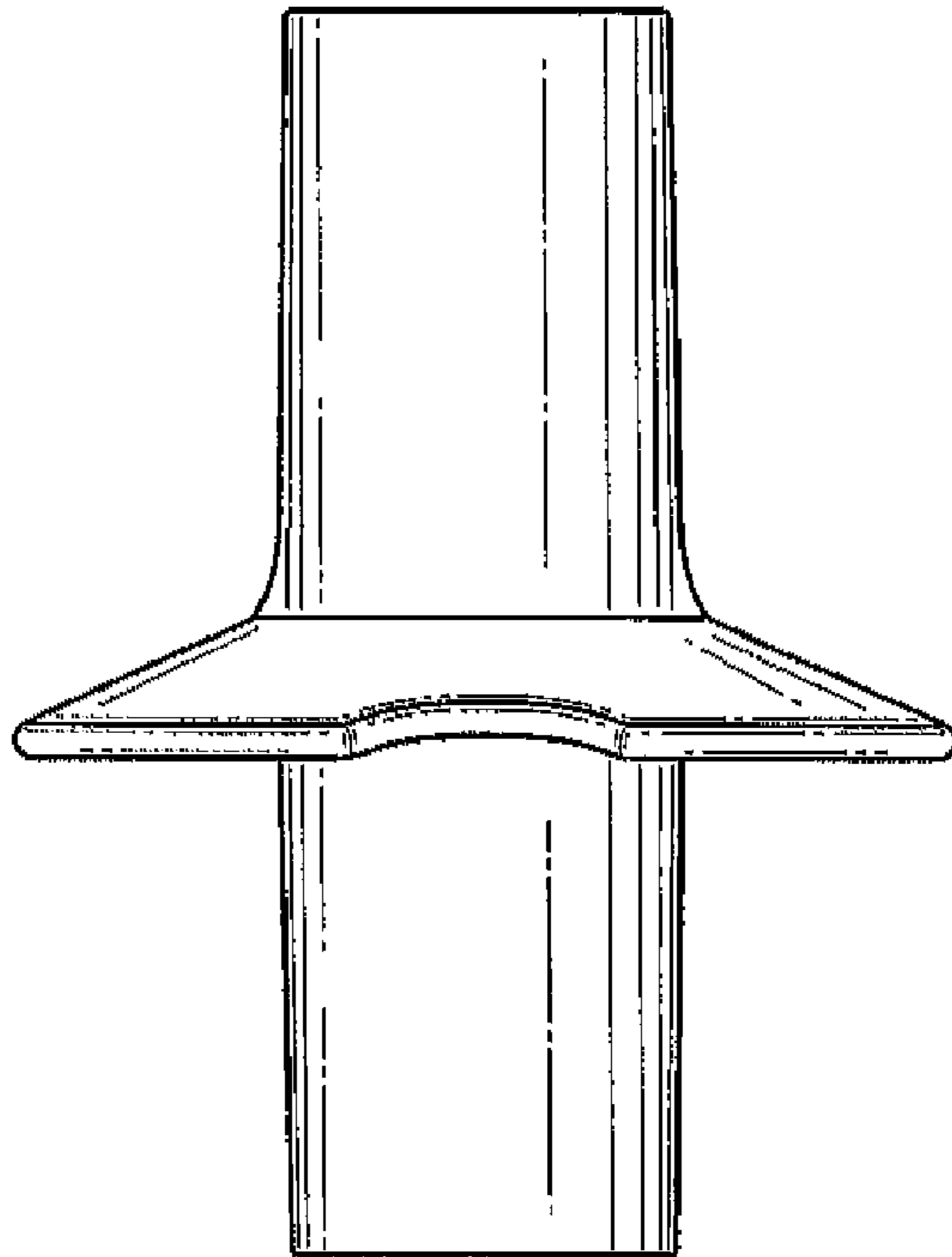


Fig. 3

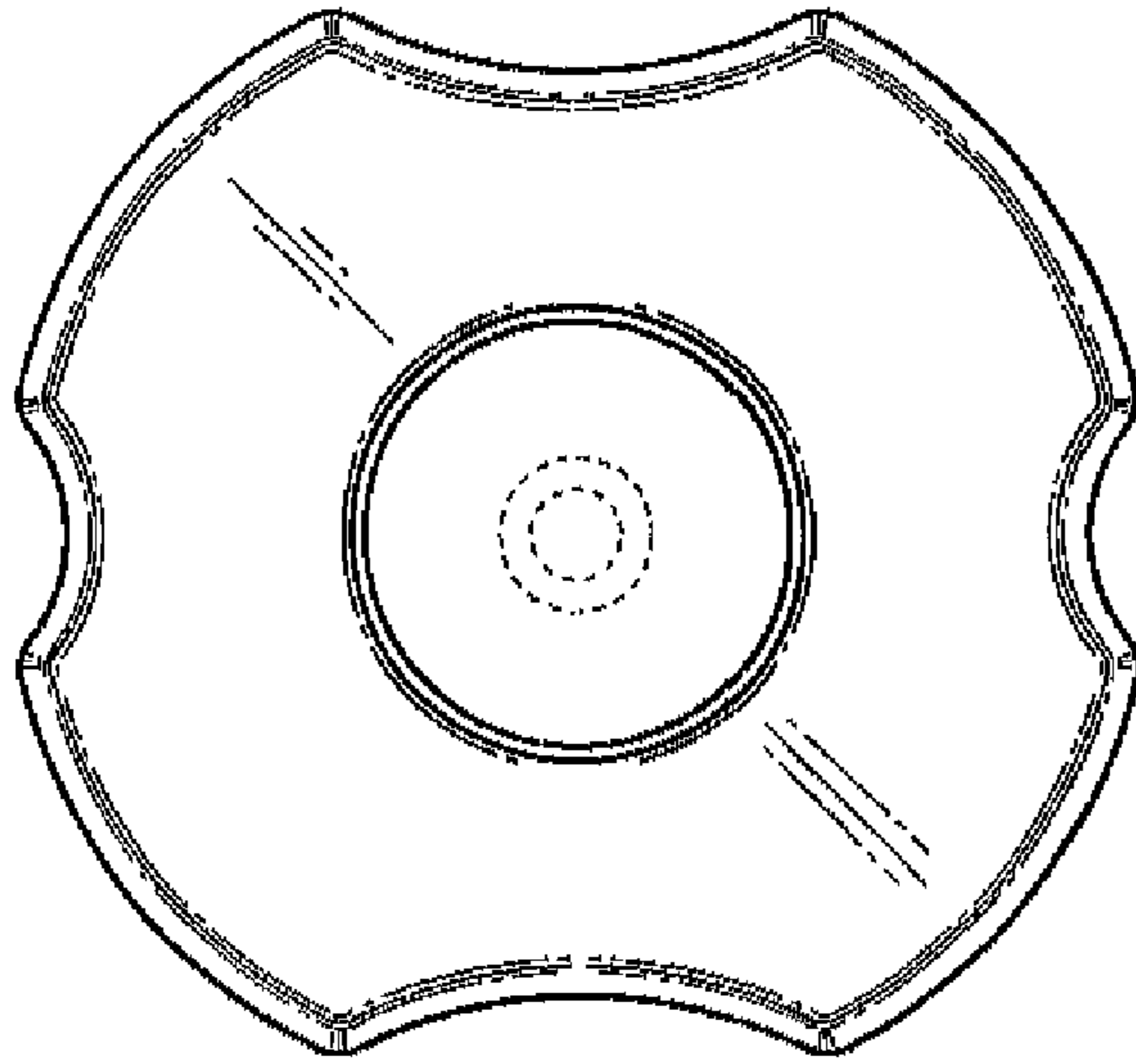


Fig. 4

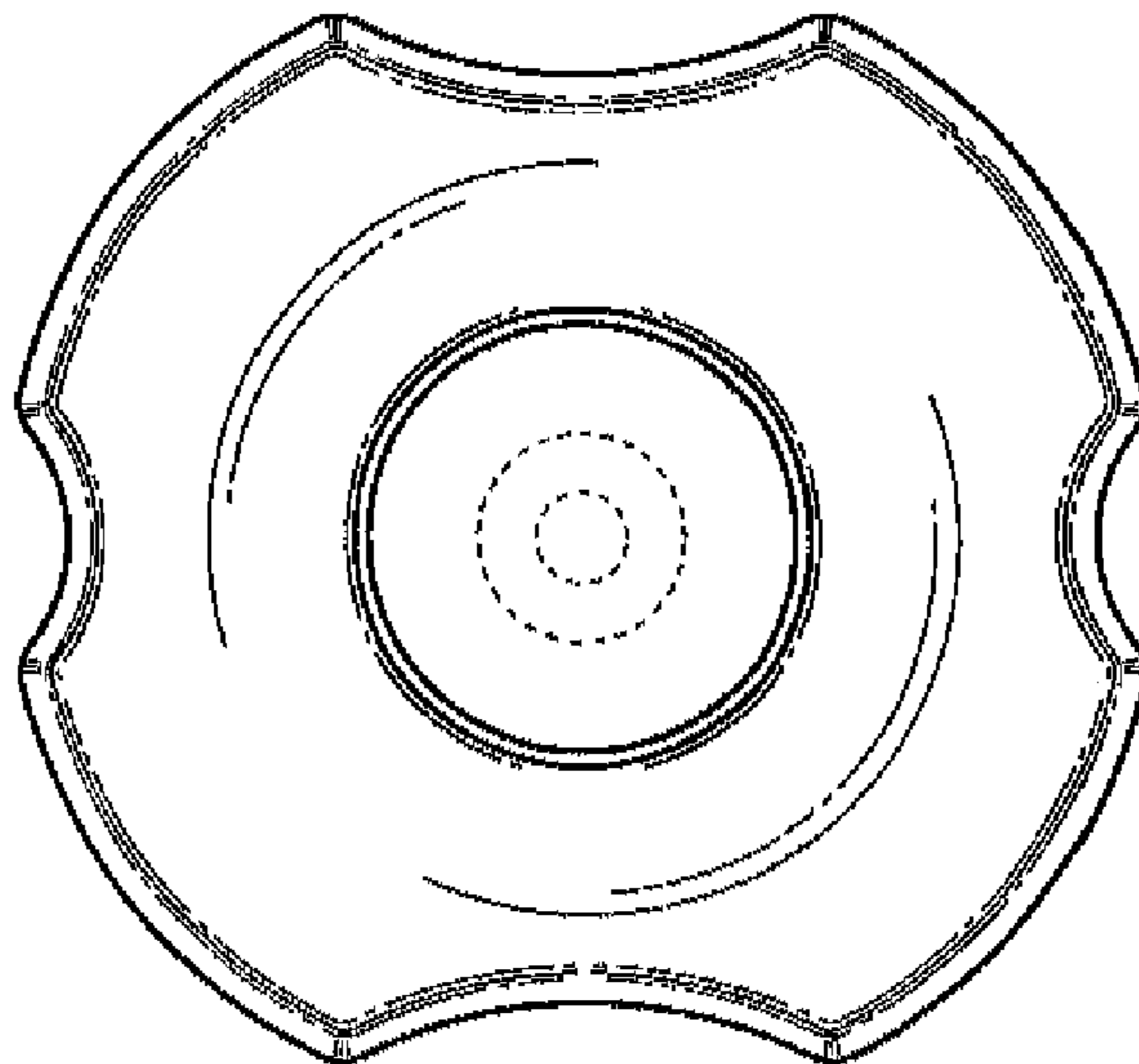


Fig. 5