



US00D671636S

(12) **United States Design Patent**
Nishino

(10) **Patent No.:** **US D671,636 S**

(45) **Date of Patent:** **** Nov. 27, 2012**

(54) **PHARMACEUTICAL TABLET**

(75) Inventor: **Hiroshi Nishino**, Kanagawa (JP)

(73) Assignee: **Daiichi Sankyo Company, Limited**,
Tokyo (JP)

(**) Term: **14 Years**

(21) Appl. No.: **29/377,435**

(22) Filed: **Oct. 21, 2010**

(30) **Foreign Application Priority Data**

Apr. 23, 2010 (JP) 2010-010204
Apr. 23, 2010 (JP) 2010-010207

(51) **LOC (9) Cl.** **24-01**

(52) **U.S. Cl.** **D24/101**

(58) **Field of Classification Search** D24/100-104;
424/451, 453, 464, 467, 474, 438, 475; D21/471,
D21/478, 499, 500, 504

See application file for complete search history.

(56) **References Cited**

U.S. PATENT DOCUMENTS

D27,746 S * 10/1897 Allen D19/54
D53,624 S * 7/1919 Woodward D9/414
D336,539 S * 6/1993 Bates D28/6
D425,614 S * 5/2000 Chen et al. D24/101
D437,407 S * 2/2001 Burrows D24/101

D450,883 S * 11/2001 Buter et al. D28/8.1
D535,020 S * 1/2007 Stawski et al. D24/101
D564,086 S * 3/2008 Nielsen et al. D24/101

FOREIGN PATENT DOCUMENTS

DK HH 04009545 4/1990

* cited by examiner

Primary Examiner — Ian Simmons

Assistant Examiner — Charles Hanson

(74) *Attorney, Agent, or Firm* — Kratz, Quintos & Hanson,
LLP

(57) **CLAIM**

The ornamental design for the pharmaceutical tablet, as shown and described.

DESCRIPTION

FIG. 1 is a front view of the pharmaceutical tablet of the present invention;
FIG. 2 is a top view thereof;
FIG. 3 is a rear view thereof;
FIG. 4 is a bottom side view thereof;
FIG. 5 is a left side view thereof;
FIG. 6 is a right side view thereof;
FIG. 7 is a perspective view thereof;
FIG. 8 is a perspective view with shading lines thereof; and,
FIG. 9 is a cross-sectional end view taken along IX-IX of FIG. 2.

1 Claim, 5 Drawing Sheets

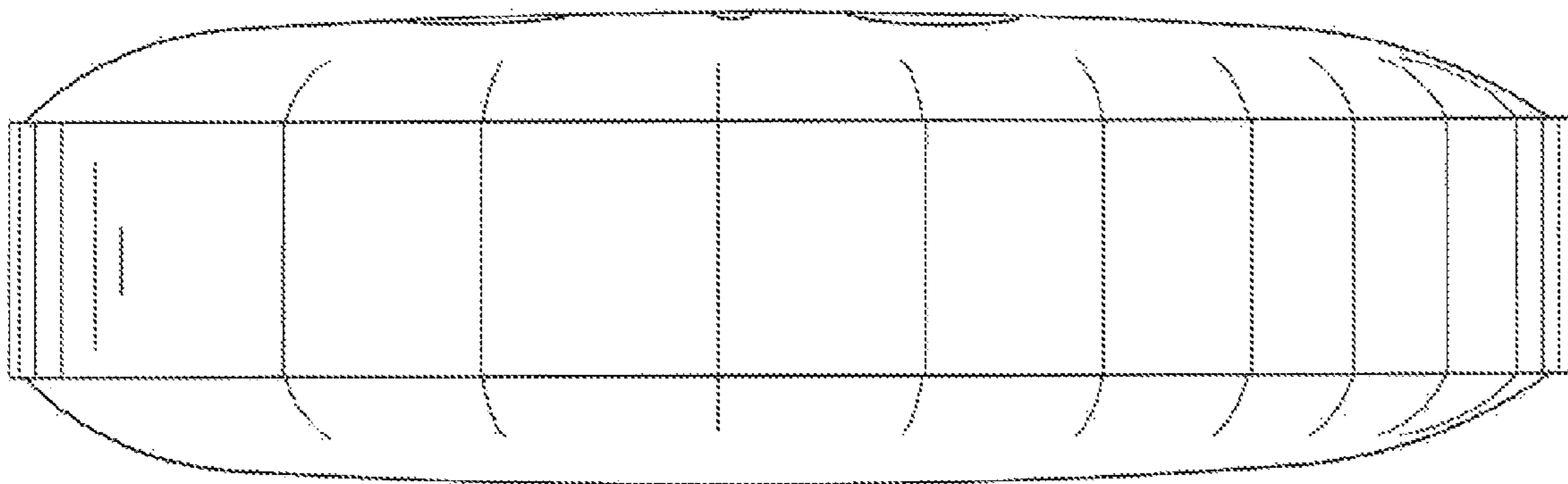


FIG.1

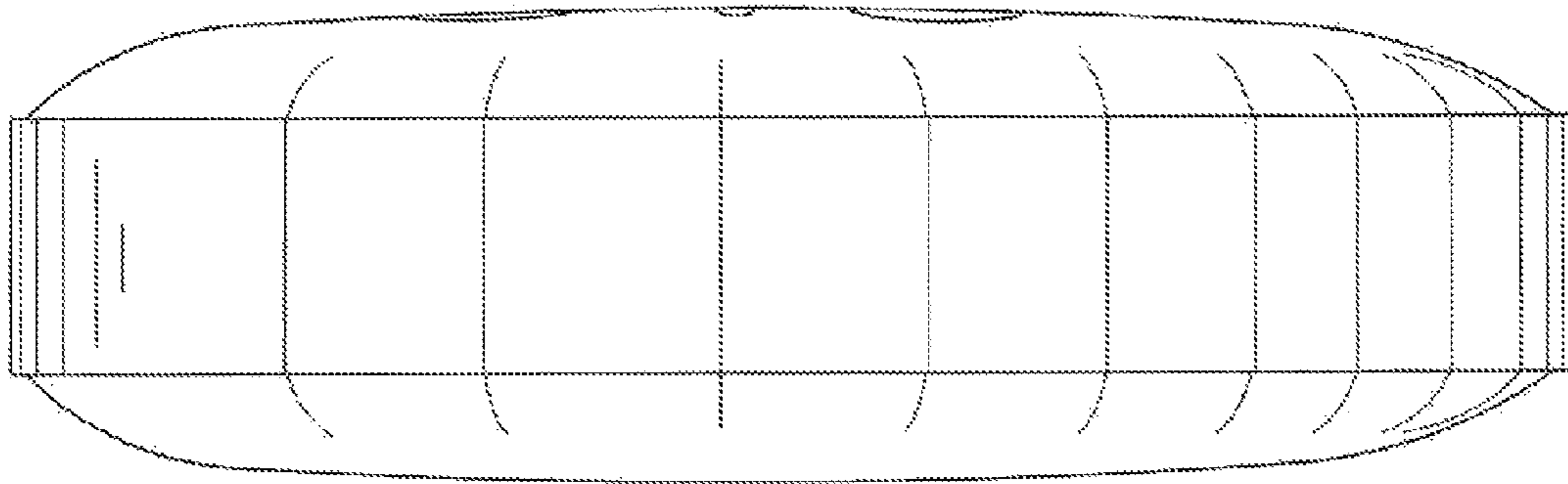


FIG.2

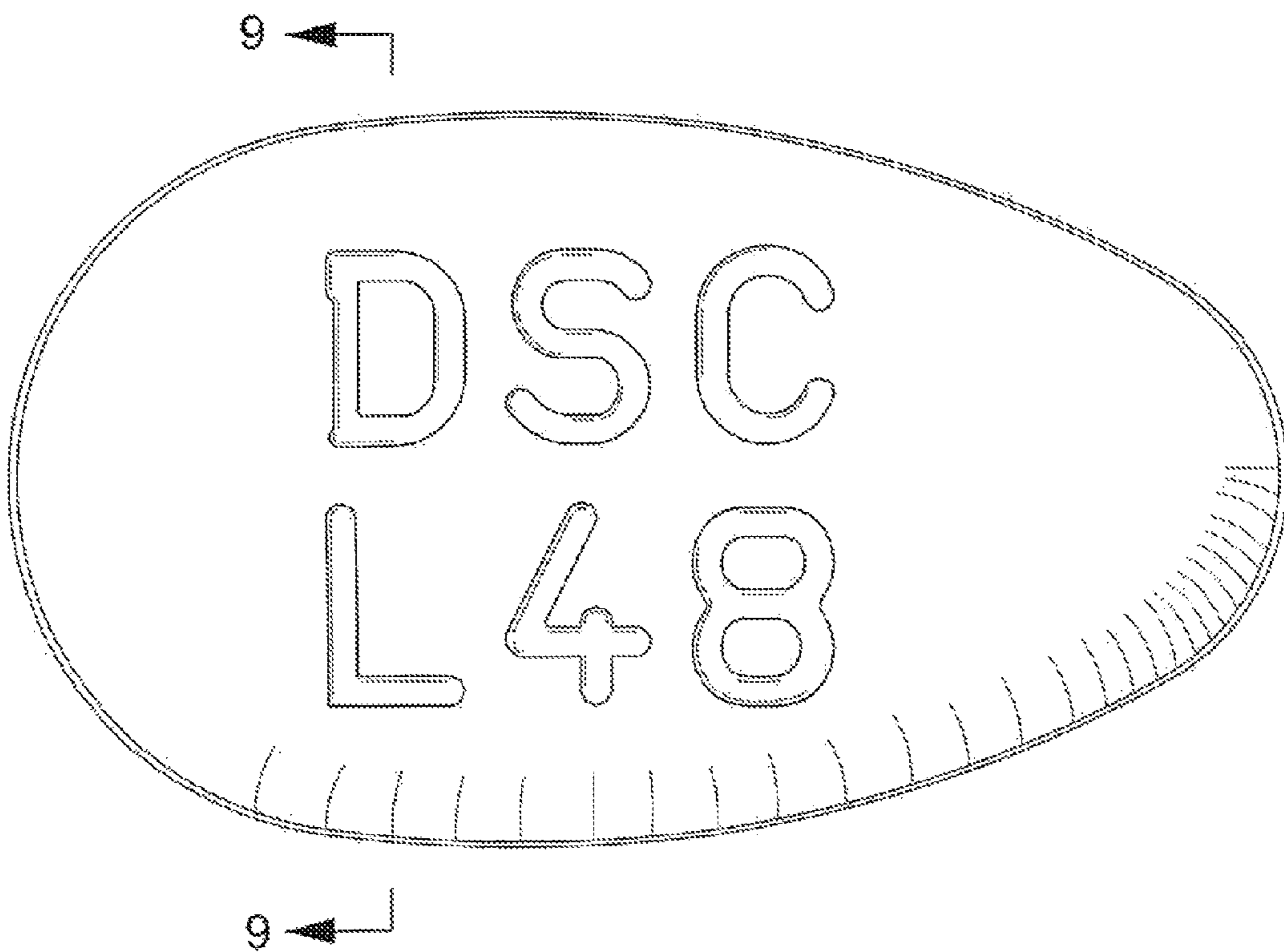


FIG.3

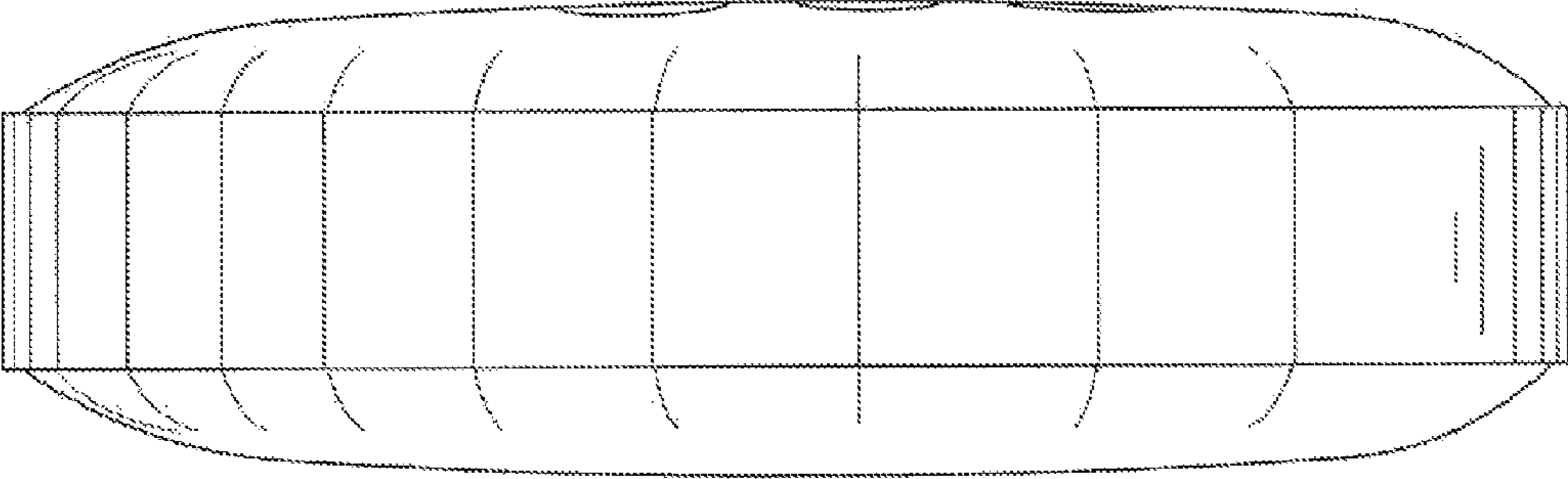


FIG.4

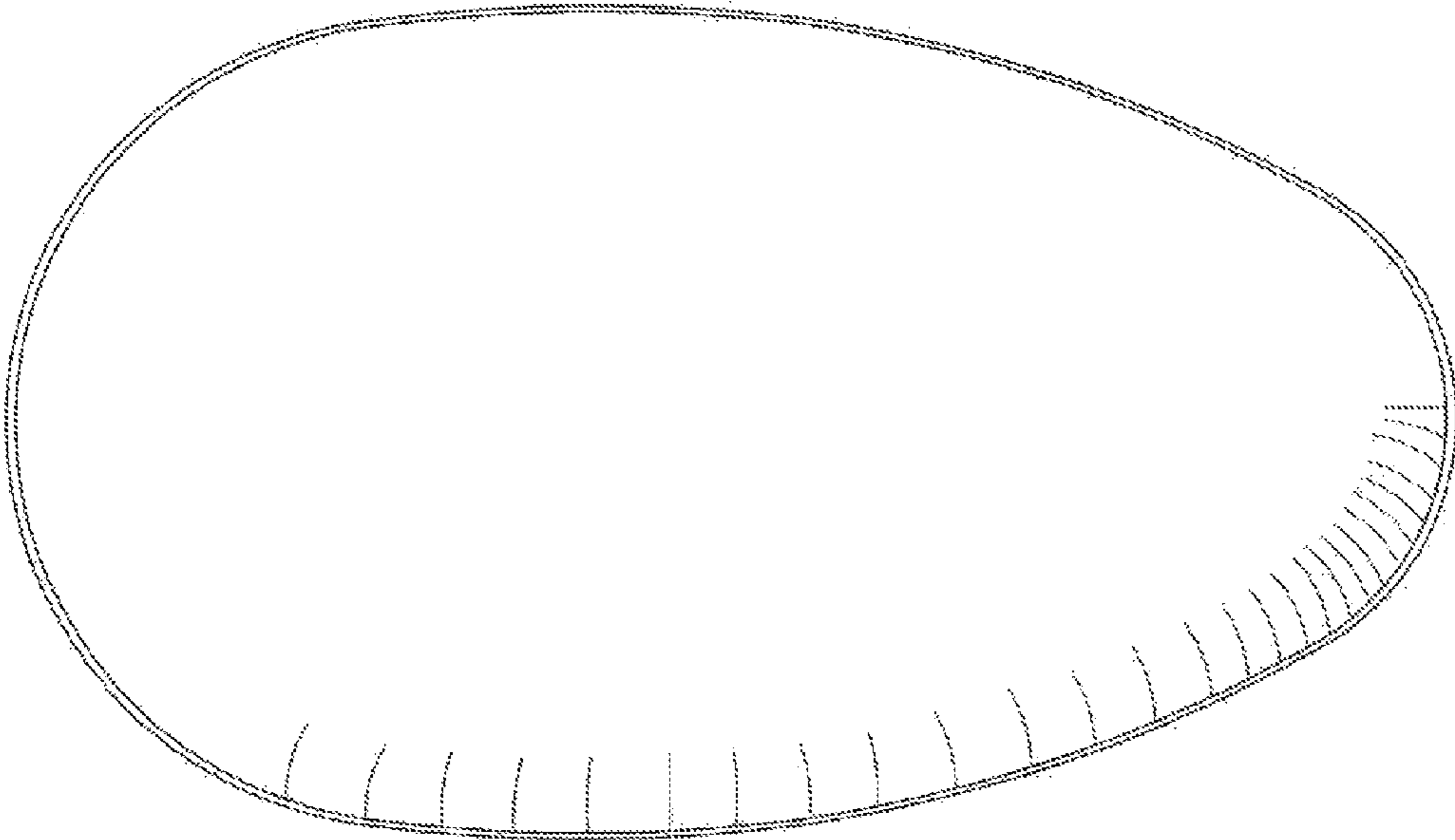


FIG.5

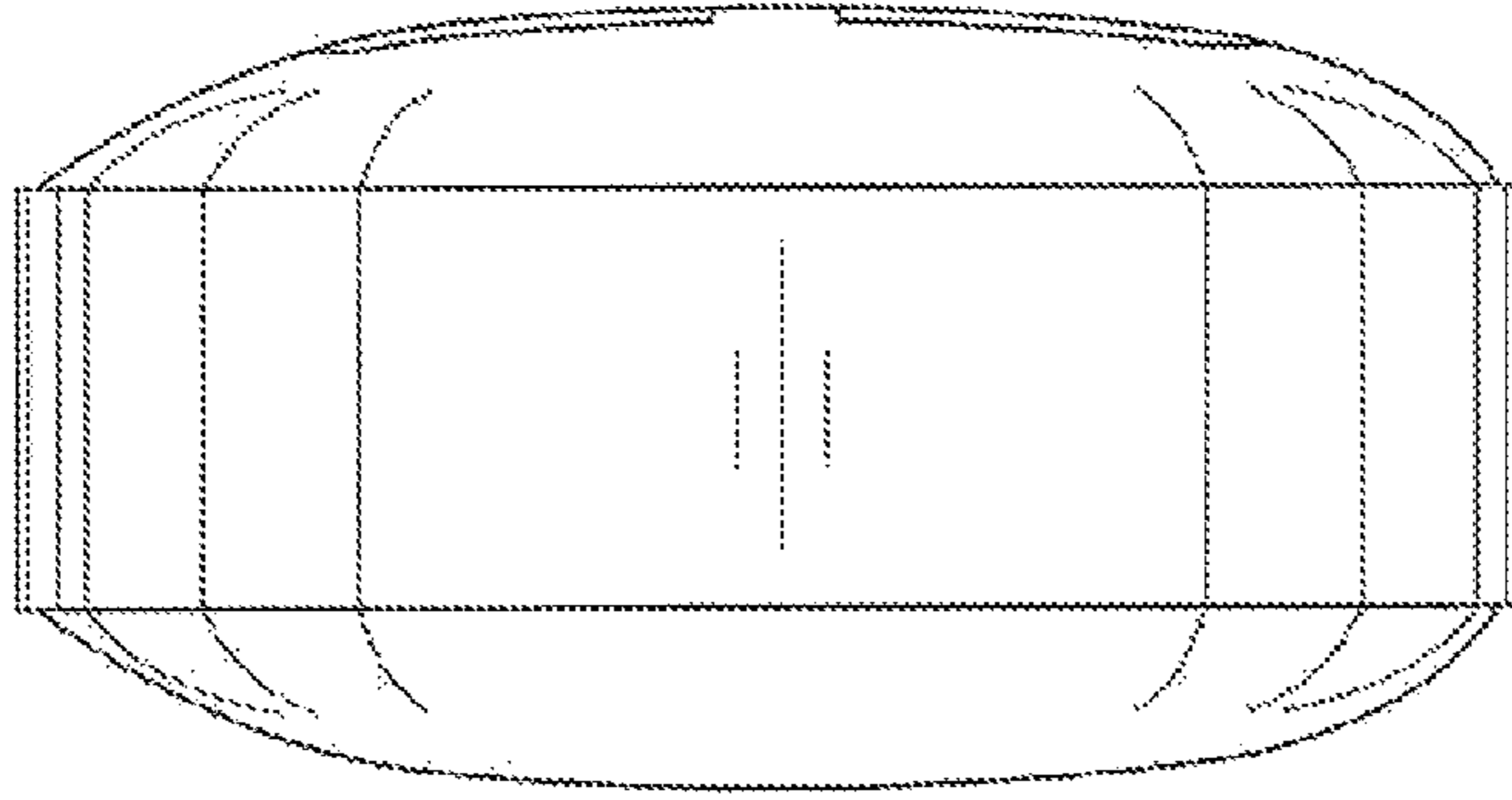


FIG.6

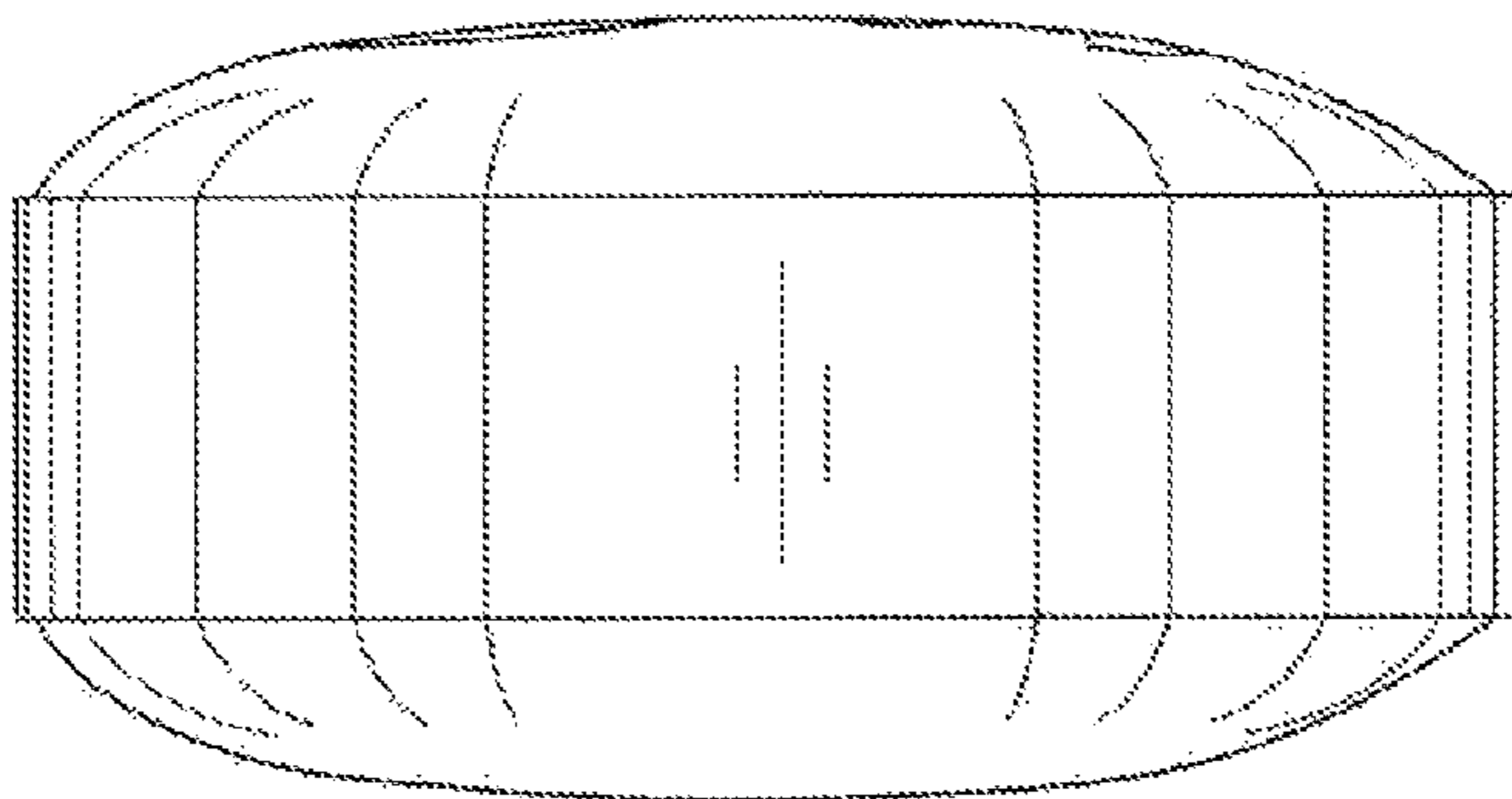


FIG.7

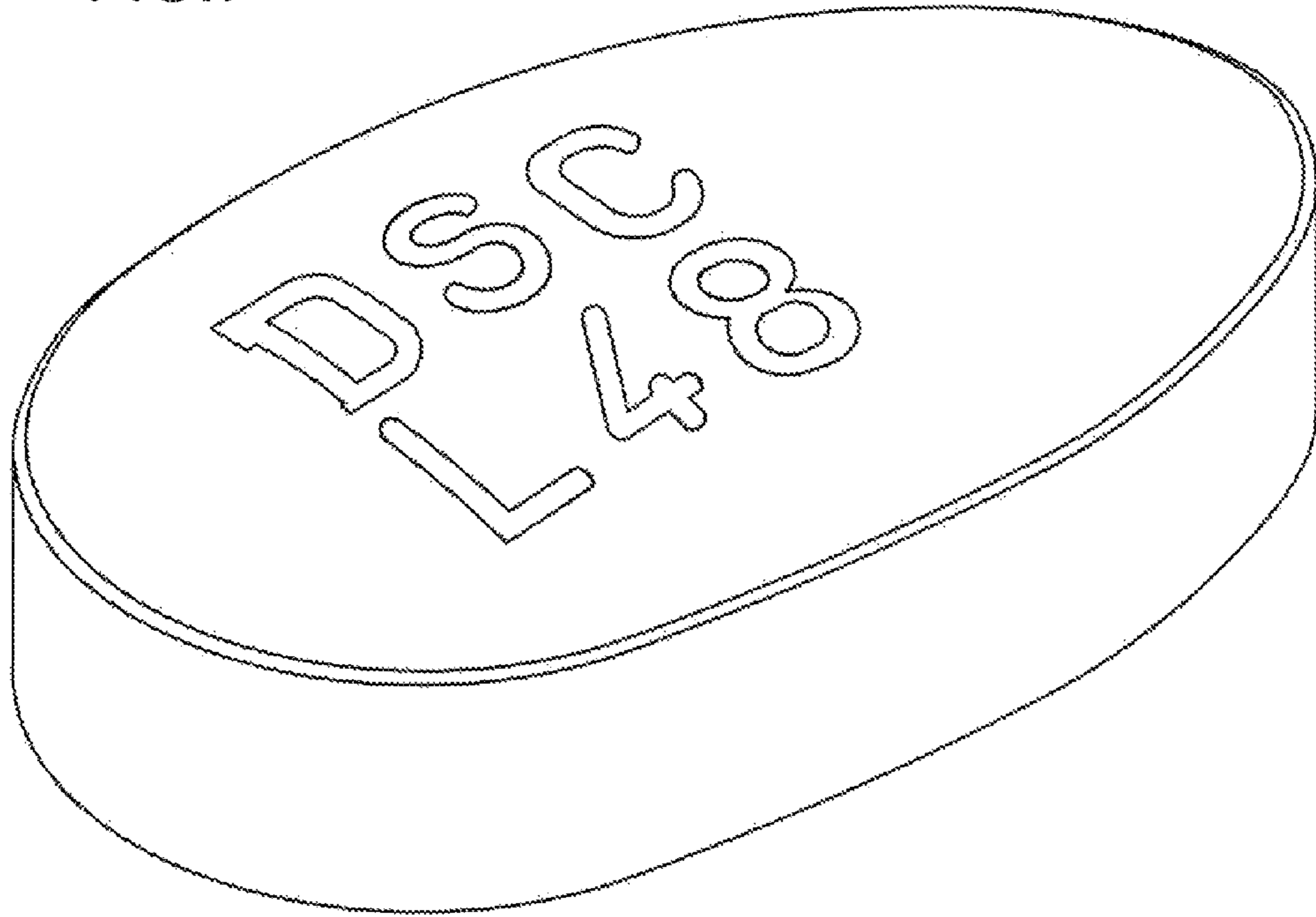


FIG.8

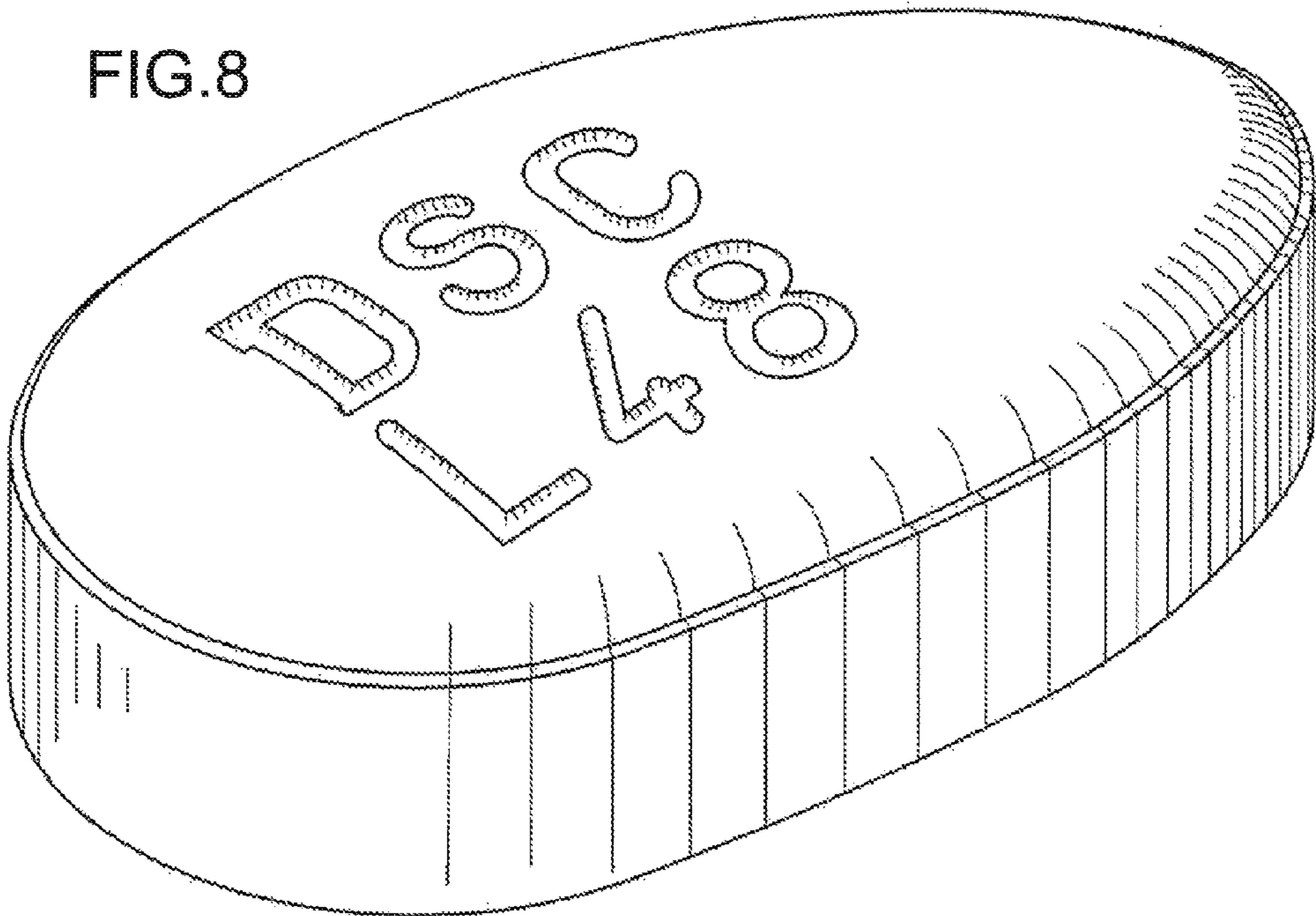


FIG.9

