



US00D671635S

(12) **United States Design Patent**  
**Pan**

(10) **Patent No.:** **US D671,635 S**

(45) **Date of Patent:** **\*\* Nov. 27, 2012**

(54) **CEILING FAN BLADE**

(75) Inventor: **Peter Pan**, Taichung (TW)

(73) Assignee: **Air Cool Industrial Co., Ltd.**, Taichung (TW)

(\*\*) Term: **14 Years**

(21) Appl. No.: **29/408,126**

(22) Filed: **Dec. 7, 2011**

(51) **LOC (9) Cl.** ..... **23-04**

(52) **U.S. Cl.** ..... **D23/413; D23/377**

(58) **Field of Classification Search** ..... D23/328,  
D23/355, 370, 377, 385, 386, 411, 413; D26/59;  
362/96, 555; 416/5, 93 R, 132 R, 170 R,  
416/210 R, 223 R, 240, 242, 243; D21/769  
See application file for complete search history.

(56) **References Cited**

**U.S. PATENT DOCUMENTS**

D206,506	S	*	12/1966	Lambach	.....	D21/769
3,406,760	A	*	10/1968	Weir	.....	416/240
3,759,630	A	*	9/1973	Freeman et al.	.....	416/132 R
D235,021	S	*	4/1975	Fulton	.....	D23/413
D237,972	S	*	12/1975	Bonifant	.....	D23/413
D246,794	S	*	12/1977	Bonifant	.....	D23/413
5,082,422	A	*	1/1992	Wang	.....	416/5
5,437,540	A	*	8/1995	Blocker et al.	.....	416/5

6,036,331	A	*	3/2000	Acquisto	.....	362/96
6,893,138	B1	*	5/2005	Jones	.....	362/96
D634,805	S	*	3/2011	Cushing	.....	D21/769
D645,135	S	*	9/2011	Orozco	.....	D23/413
8,221,077	B2	*	7/2012	Pelshak et al.	.....	416/5

\* cited by examiner

*Primary Examiner* — Janice Seeger

*Assistant Examiner* — Martie K Holtje

(74) *Attorney, Agent, or Firm* — Ming Chow; Sinorica, LLC

(57) **CLAIM**

I claim the ornamental design for a ceiling fan blade, as shown and described.

**DESCRIPTION**

FIG. 1 is a front perspective view of a ceiling fan blade showing my new design;

FIG. 2 is a front elevational view thereof;

FIG. 3 is a rear elevational view thereof.

FIG. 4 is a left side elevational view thereof;

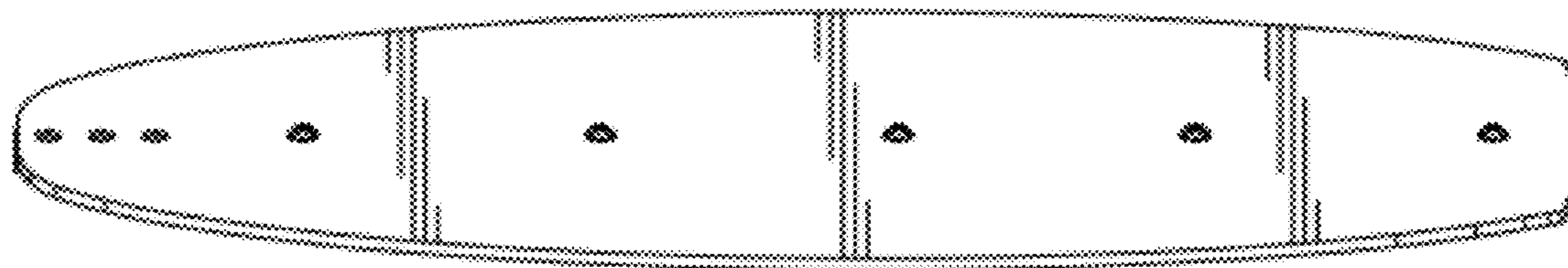
FIG. 5 is a right side elevational view thereof;

FIG. 6 is a top plan view thereof; and,

FIG. 7 is a bottom plan view thereof.

The broken line showing of openings and protrusions is included for the purpose of illustrating portions of the ceiling fan blade and forms no part of the claimed design.

**1 Claim, 4 Drawing Sheets**



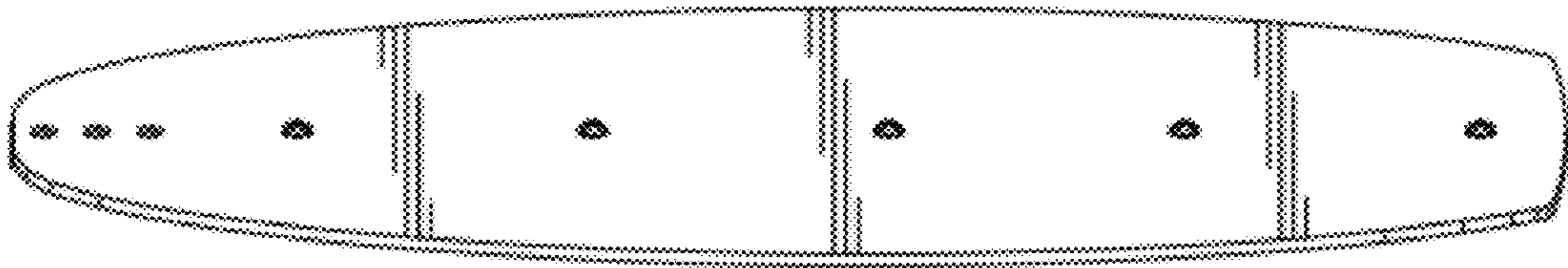


FIG. 1

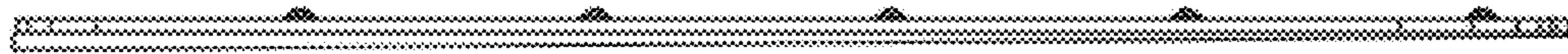


FIG. 2

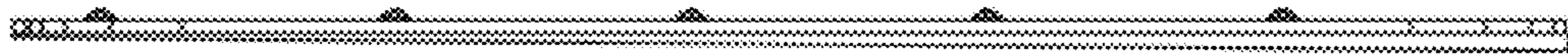


FIG. 3



FIG. 4



FIG. 5

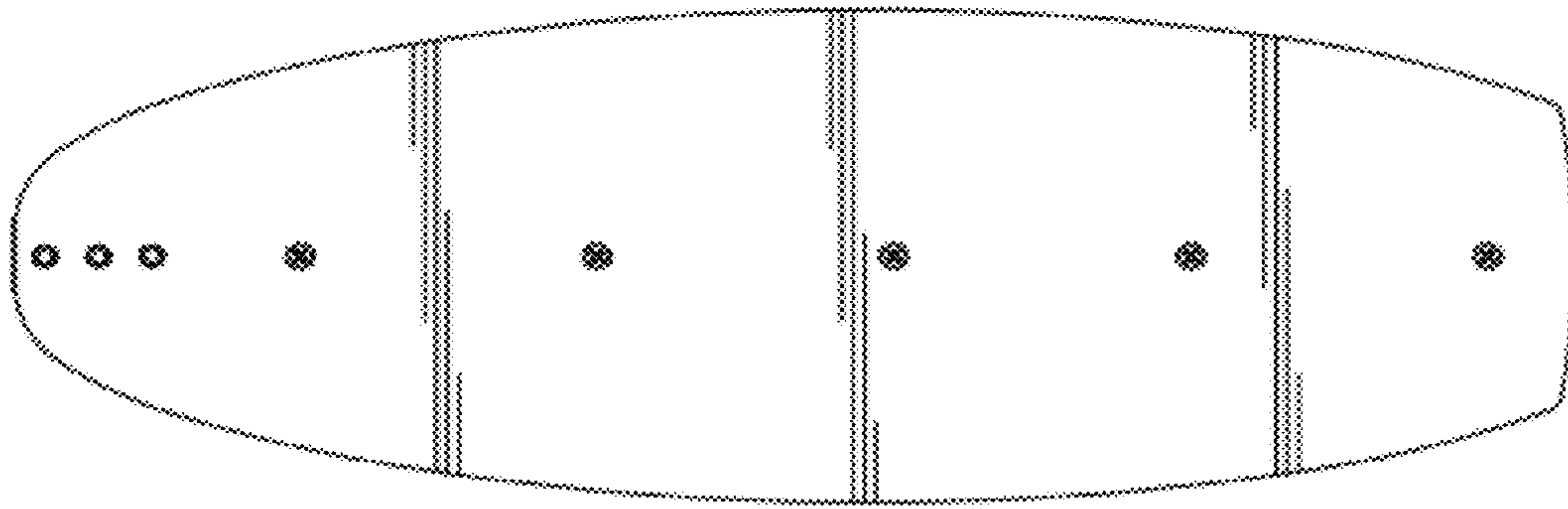


FIG. 6

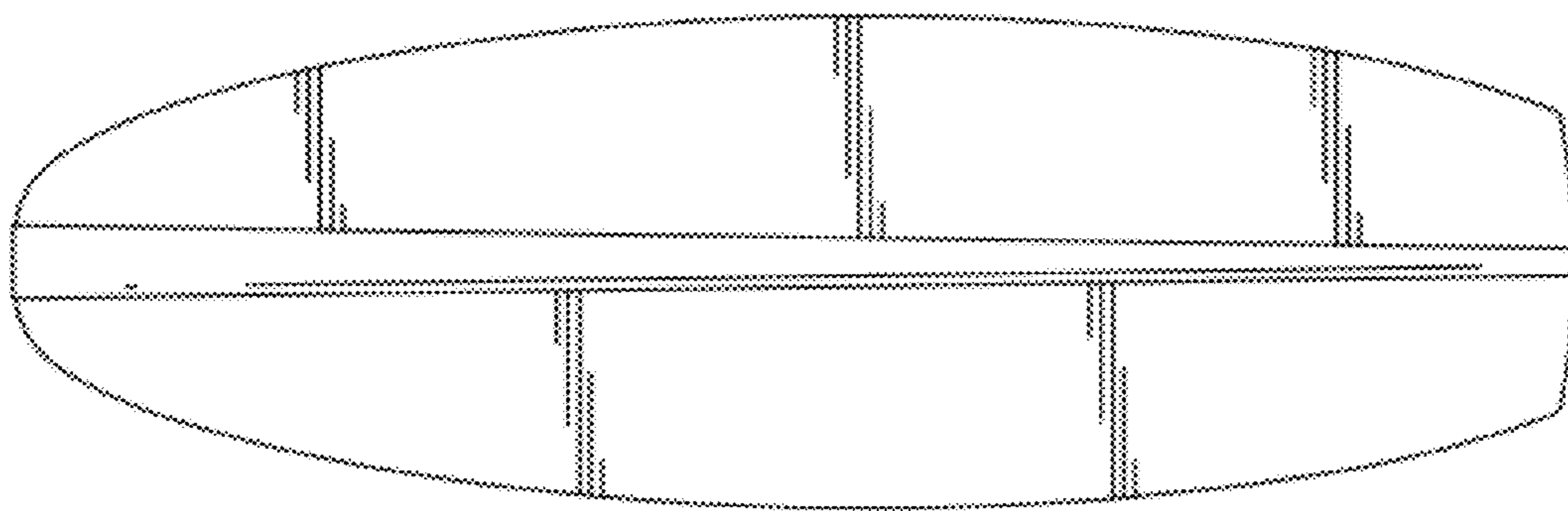


FIG. 7