



US00D671634S

(12) **United States Design Patent**  
**Glasbrenner**

(10) **Patent No.:** **US D671,634 S**

(45) **Date of Patent:** **\*\* Nov. 27, 2012**

(54) **FAN BLADE BRACKET**

(75) Inventor: **Brian Glasbrenner**, Smyrna, GA (US)

(73) Assignee: **Air Cool Industrial Co., Ltd.**, Taichung (TW)

(\*\*) Term: **14 Years**

(21) Appl. No.: **29/402,245**

(22) Filed: **Sep. 22, 2011**

(51) **LOC (9) Cl.** ..... **23-04**

(52) **U.S. Cl.** ..... **D23/411; D23/413**

(58) **Field of Classification Search** ..... D23/355,  
D23/370, 379, 385, 386, 411, 413; 416/5,  
416/62, 93 R, 170 R, 210 R, 223 R, 242,  
416/243

See application file for complete search history.

(56) **References Cited**

**U.S. PATENT DOCUMENTS**

D354,804 S *	1/1995	Tsuji	.....	D23/377
D382,955 S *	8/1997	Liu	.....	D23/411
D395,497 S *	6/1998	Zuege	.....	D23/411
D456,892 S *	5/2002	Hsieh	.....	D23/411
D478,382 S *	8/2003	Burns	.....	D23/411
D483,857 S *	12/2003	Stauffer	.....	D23/411
6,884,035 B2 *	4/2005	Young	.....	416/5
D523,137 S *	6/2006	Wang	.....	D23/411

D531,302 S *	10/2006	Glasbrenner	.....	D23/411
D545,422 S *	6/2007	Glasbrenner	.....	D23/377
D546,439 S *	7/2007	Glasbrenner	.....	D23/411
7,402,025 B2 *	7/2008	Wang	.....	416/62
D595,404 S *	6/2009	Pan	.....	D23/411
D642,673 S *	8/2011	Orozco	.....	D23/411

\* cited by examiner

*Primary Examiner* — Janice Seeger

*Assistant Examiner* — Martie K Holtje

(74) *Attorney, Agent, or Firm* — Ming Chow; Sinorica, LLC

(57) **CLAIM**

I claim the ornamental design for a fan blade bracket, as shown and described.

**DESCRIPTION**

FIG. 1 is a front perspective view of a fan blade bracket showing my new design;

FIG. 2 is a front elevational view thereof;

FIG. 3 is a rear elevational view thereof.

FIG. 4 is a left side elevational view thereof;

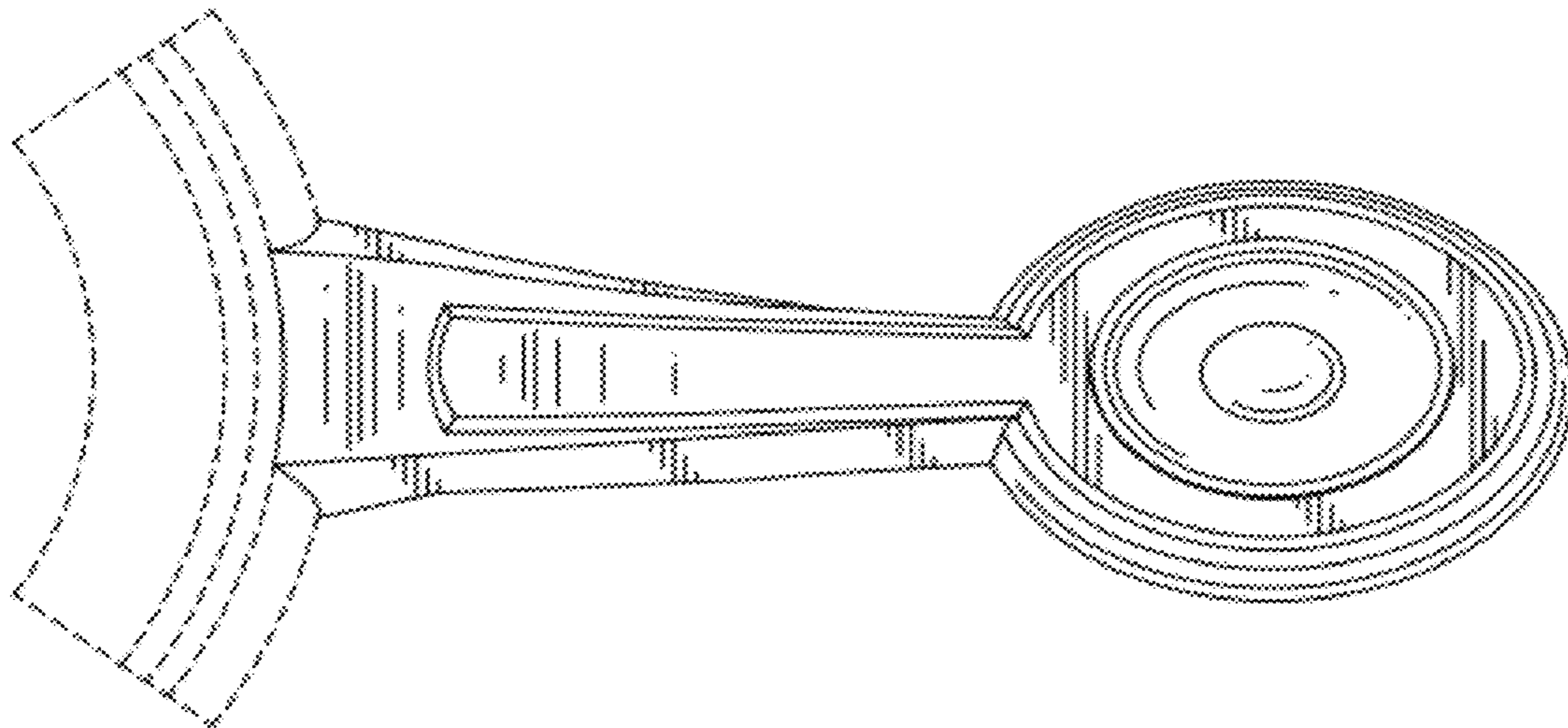
FIG. 5 is a right side elevational view thereof;

FIG. 6 is a top plan view thereof; and,

FIG. 7 is a bottom plan view thereof.

The broken line showing of structural elements is included for the purpose of illustrating portions of the fan blade bracket and forms no part of the claimed design.

**1 Claim, 4 Drawing Sheets**



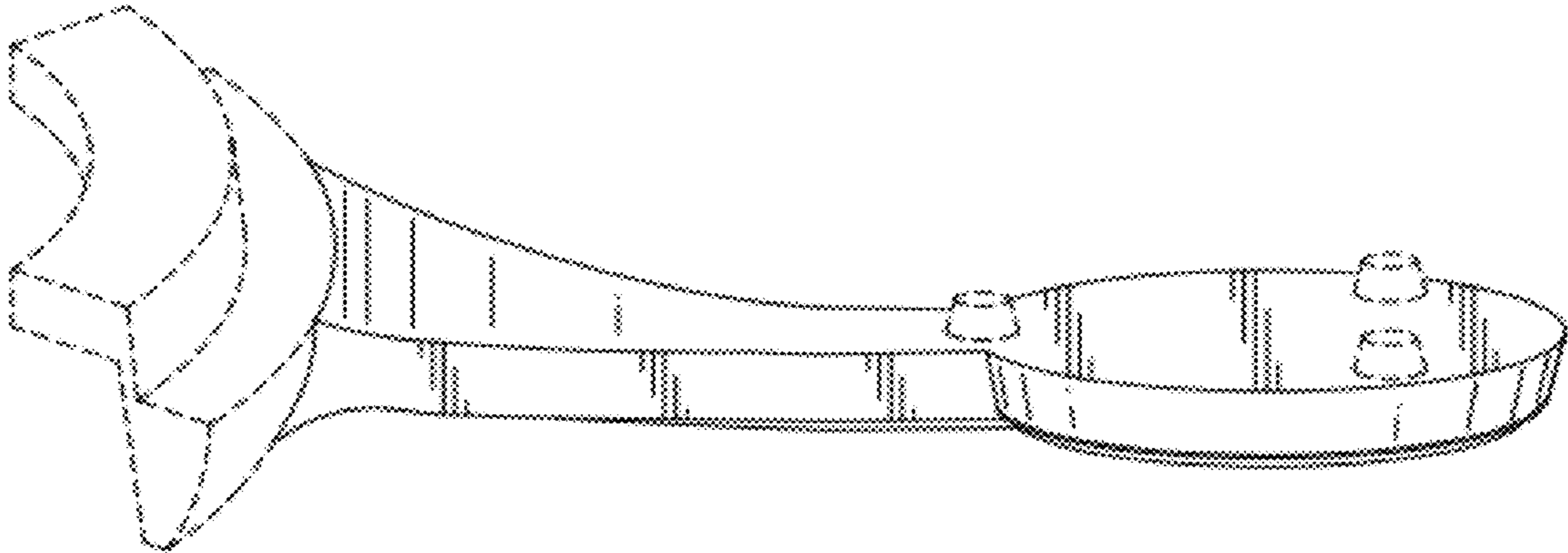


FIG. 1

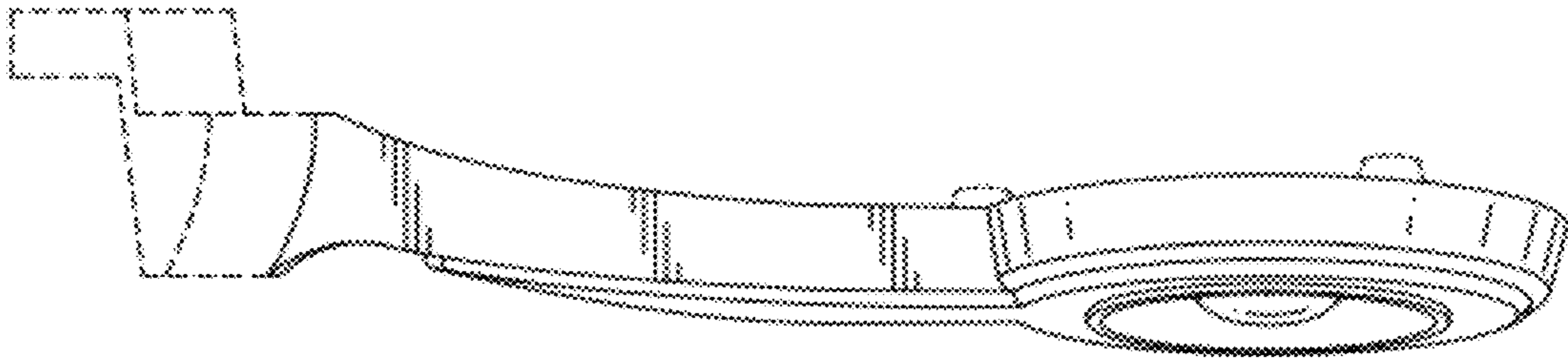


FIG. 2

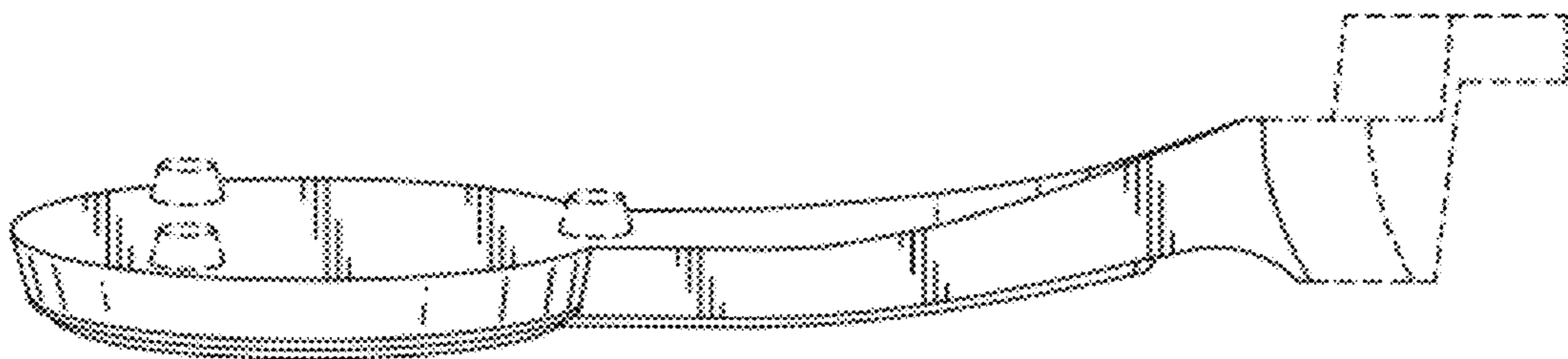


FIG. 3

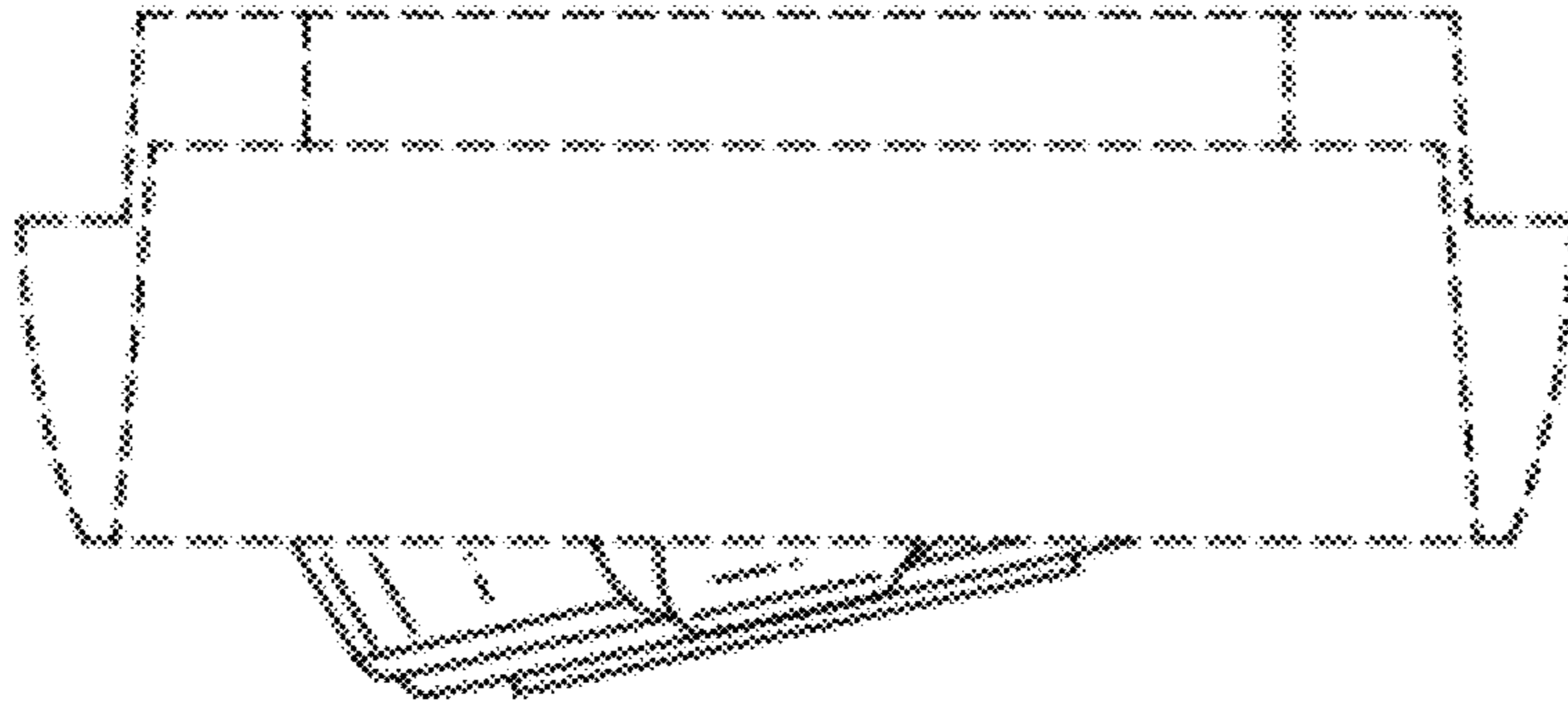


FIG. 4

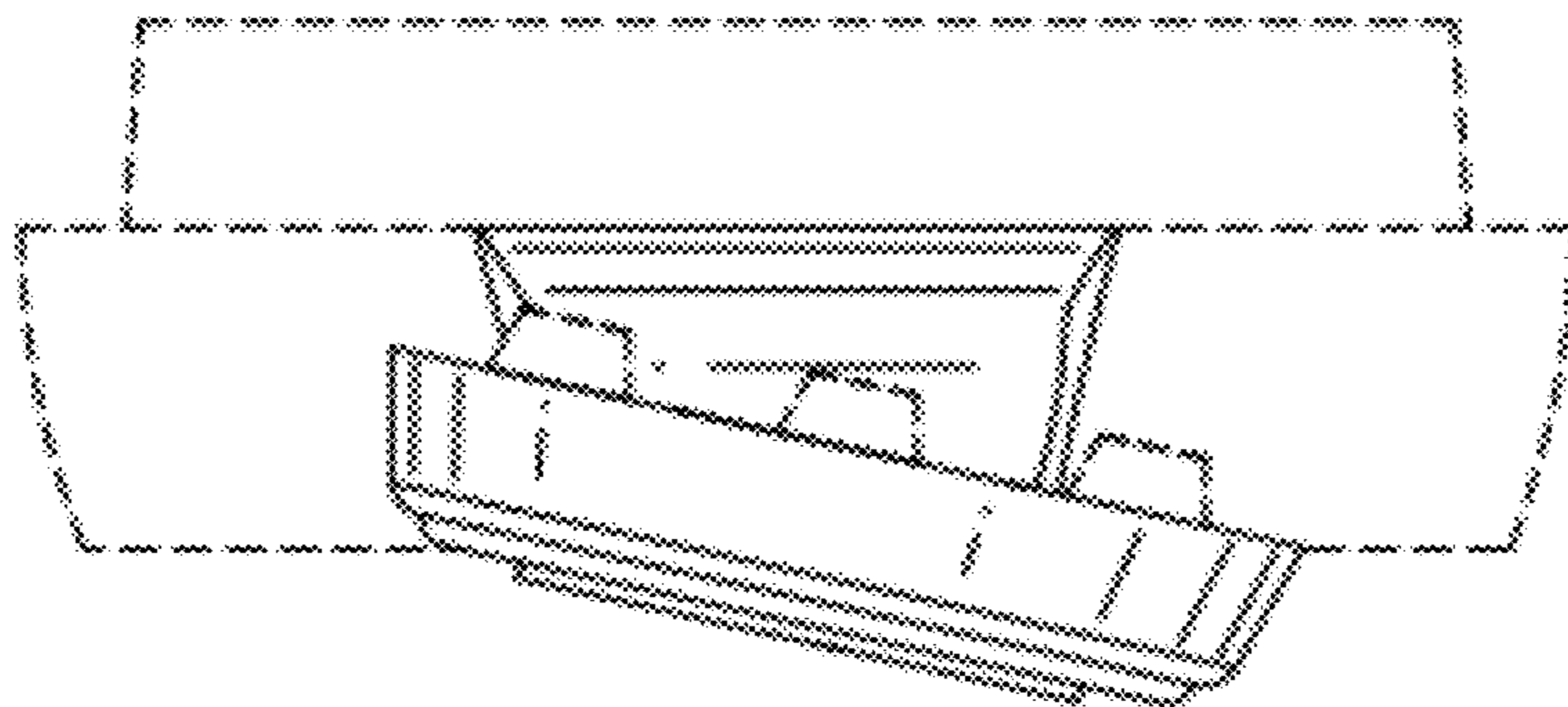


FIG. 5



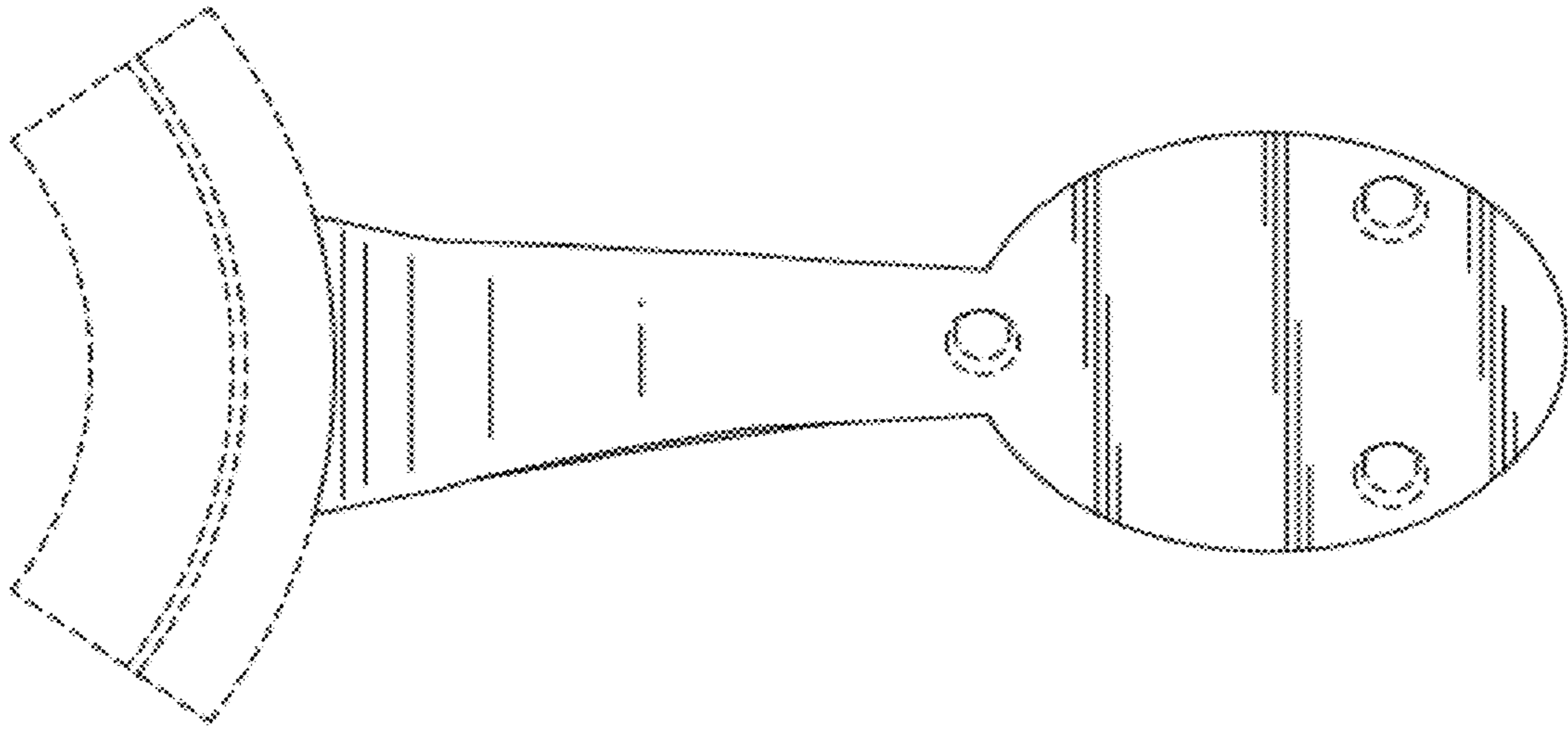


FIG. 6

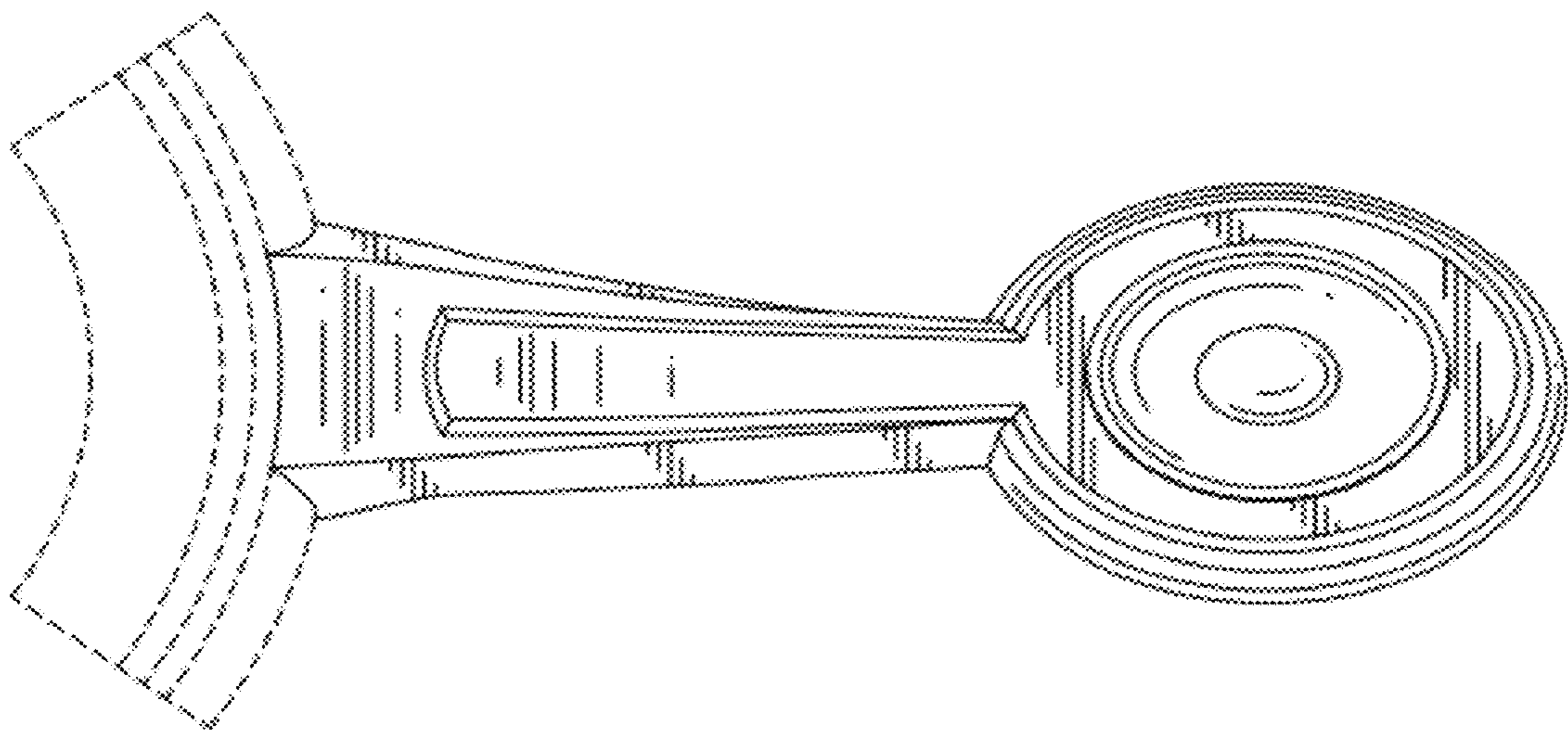


FIG. 7