



US00D671633S

(12) **United States Design Patent**
Glasbrenner

(10) **Patent No.:** **US D671,633 S**

(45) **Date of Patent:** **** Nov. 27, 2012**

(54) **CEILING FAN MOTOR HOUSING**

(75) Inventor: **Brian Glasbrenner**, Smyrna, GA (US)

(73) Assignee: **Air Cool Industrial Co., Ltd.**, Taichung (TW)

(**) Term: **14 Years**

(21) Appl. No.: **29/402,243**

(22) Filed: **Sep. 22, 2011**

(51) **LOC (9) Cl.** **23-04**

(52) **U.S. Cl.** **D23/411; D23/385**

(58) **Field of Classification Search** D23/355,
D23/370, 377, 385, 386, 411; 416/5, 42,
416/93 R, 170 R, 210 R, 223 R, 242, 243;
362/147

See application file for complete search history.

(56) **References Cited**

U.S. PATENT DOCUMENTS

5,097,398	A *	3/1992	Dye	362/147
D347,056	S *	5/1994	Bucher et al.	D23/411
D363,345	S *	10/1995	Wang	D23/377
5,632,599	A *	5/1997	Townsend	416/42
D485,345	S *	1/2004	Bucher	D23/377
D507,646	S *	7/2005	Young	D23/413

D596,737	S *	7/2009	Pan	D23/411
D667,104	S *	9/2012	Shiraichi et al.	D23/413
2009/0208333	A1 *	8/2009	Smith et al.	416/5

* cited by examiner

Primary Examiner — Janice Seeger

Assistant Examiner — Martie K Holtje

(74) *Attorney, Agent, or Firm* — Ming Chow; Sinorica, LLC

(57) **CLAIM**

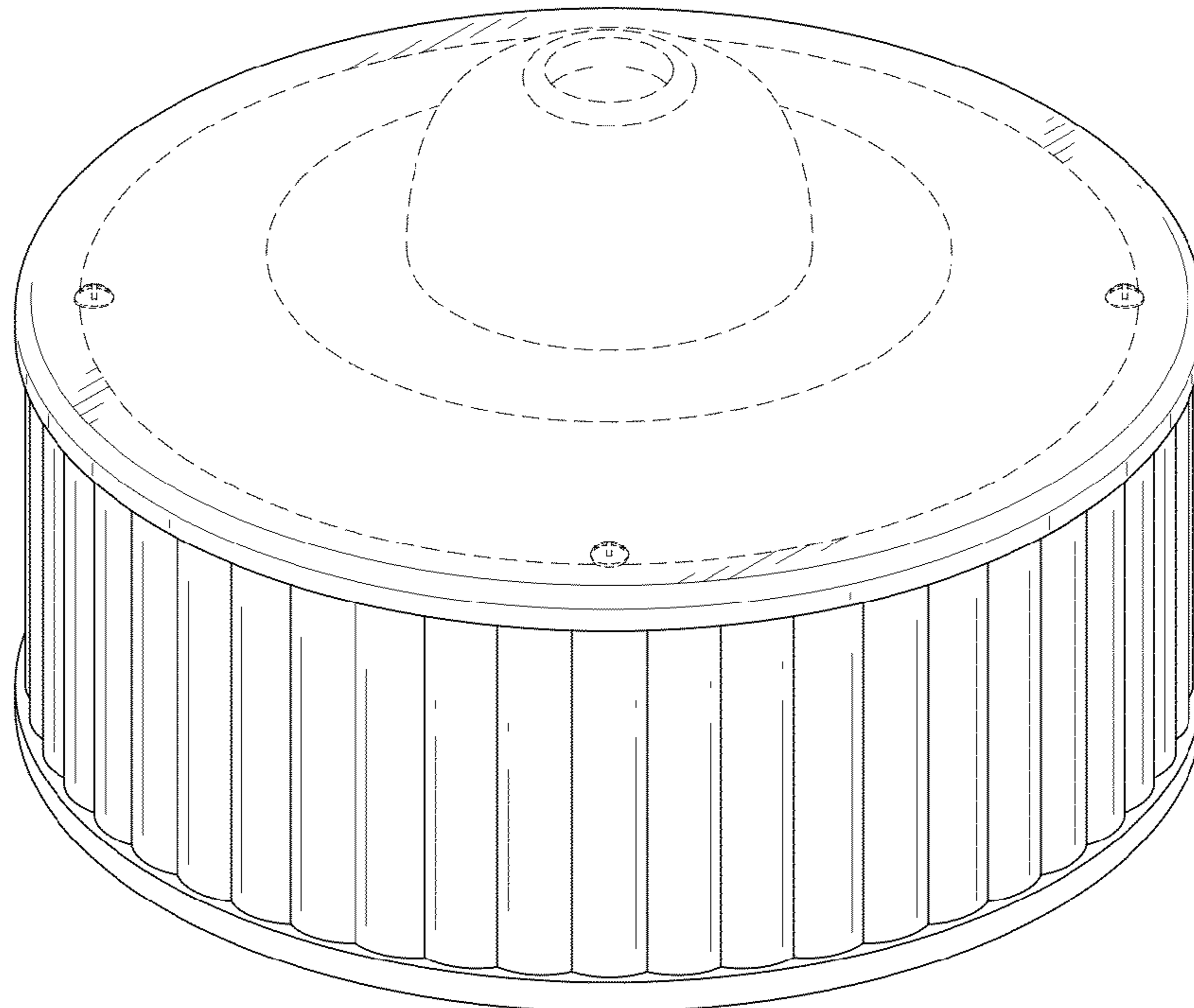
I claim the ornamental design for a ceiling fan motor housing, as shown and described.

DESCRIPTION

FIG. 1 is a front perspective view of a ceiling fan motor housing showing my new design; FIG. 2 is a front elevational view thereof; FIG. 3 is a rear elevational view thereof; FIG. 4 is a left side elevational view thereof; FIG. 5 is a right side elevational view thereof; FIG. 6 is a top plan view thereof; and, FIG. 7 is a bottom plan view thereof.

The broken line showing of upper and lower structural elements is included for the purpose of illustrating portions of the ceiling fan motor housing and forms no part of the claimed design.

1 Claim, 5 Drawing Sheets



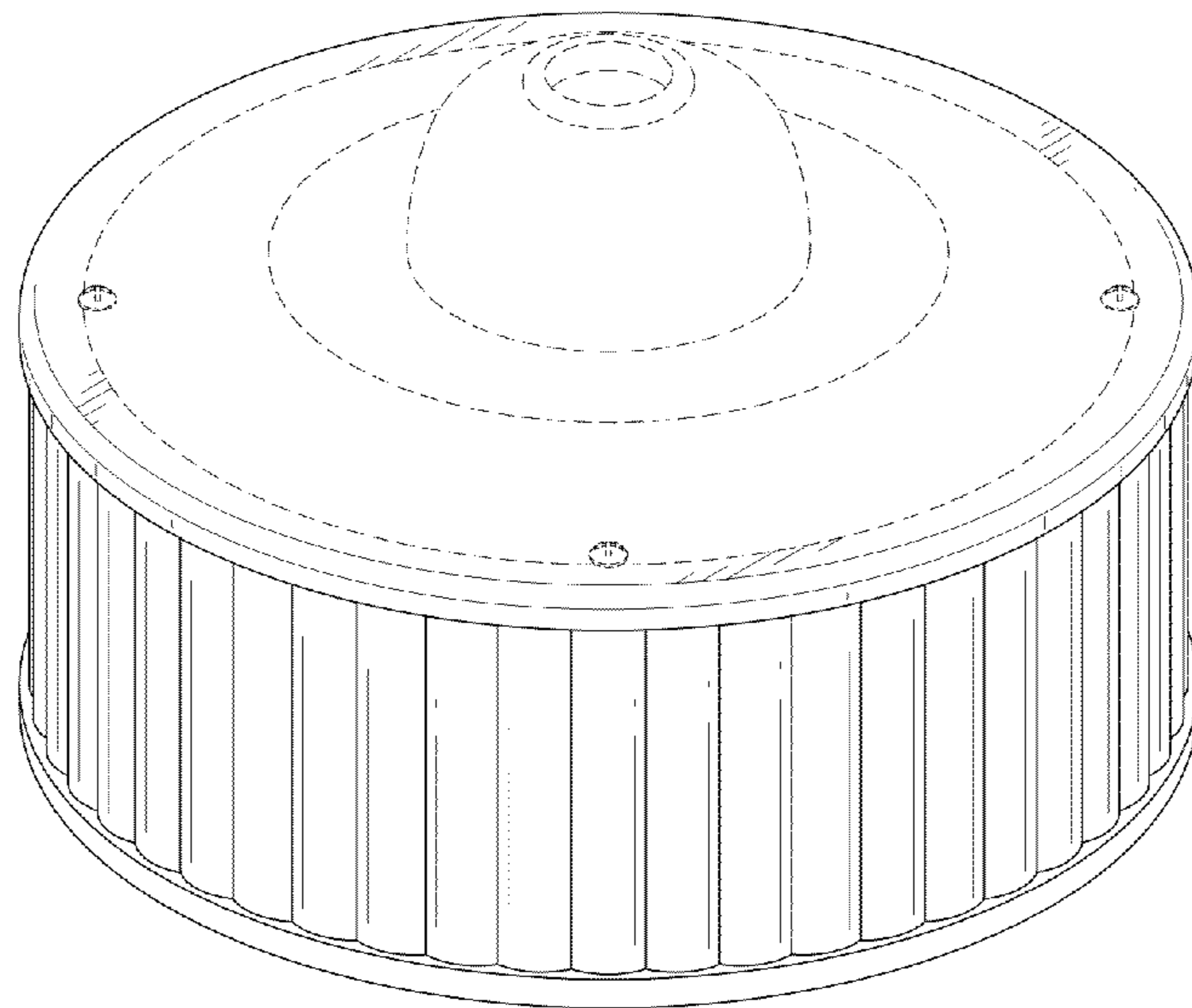


FIG. 1

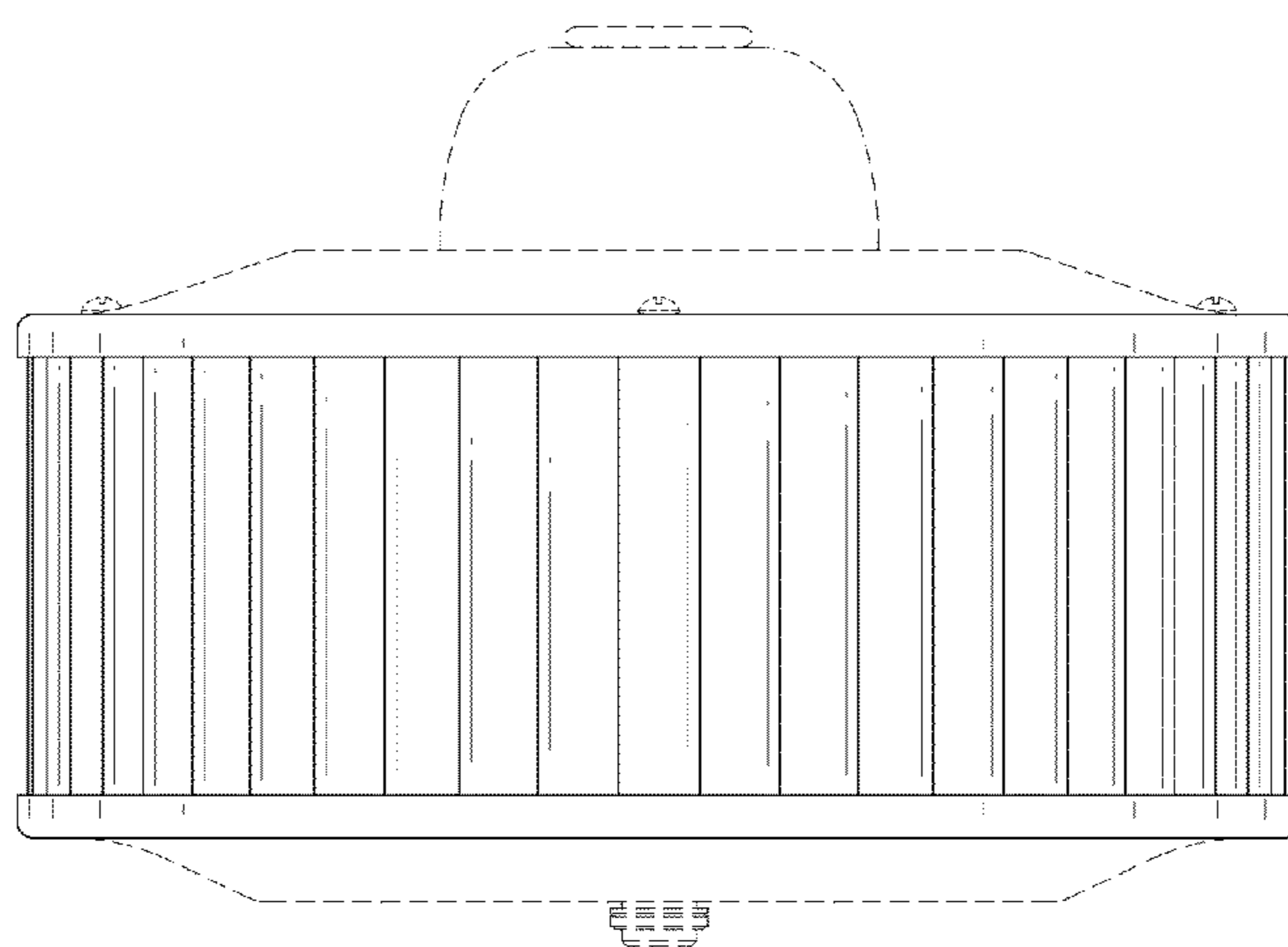


FIG. 2

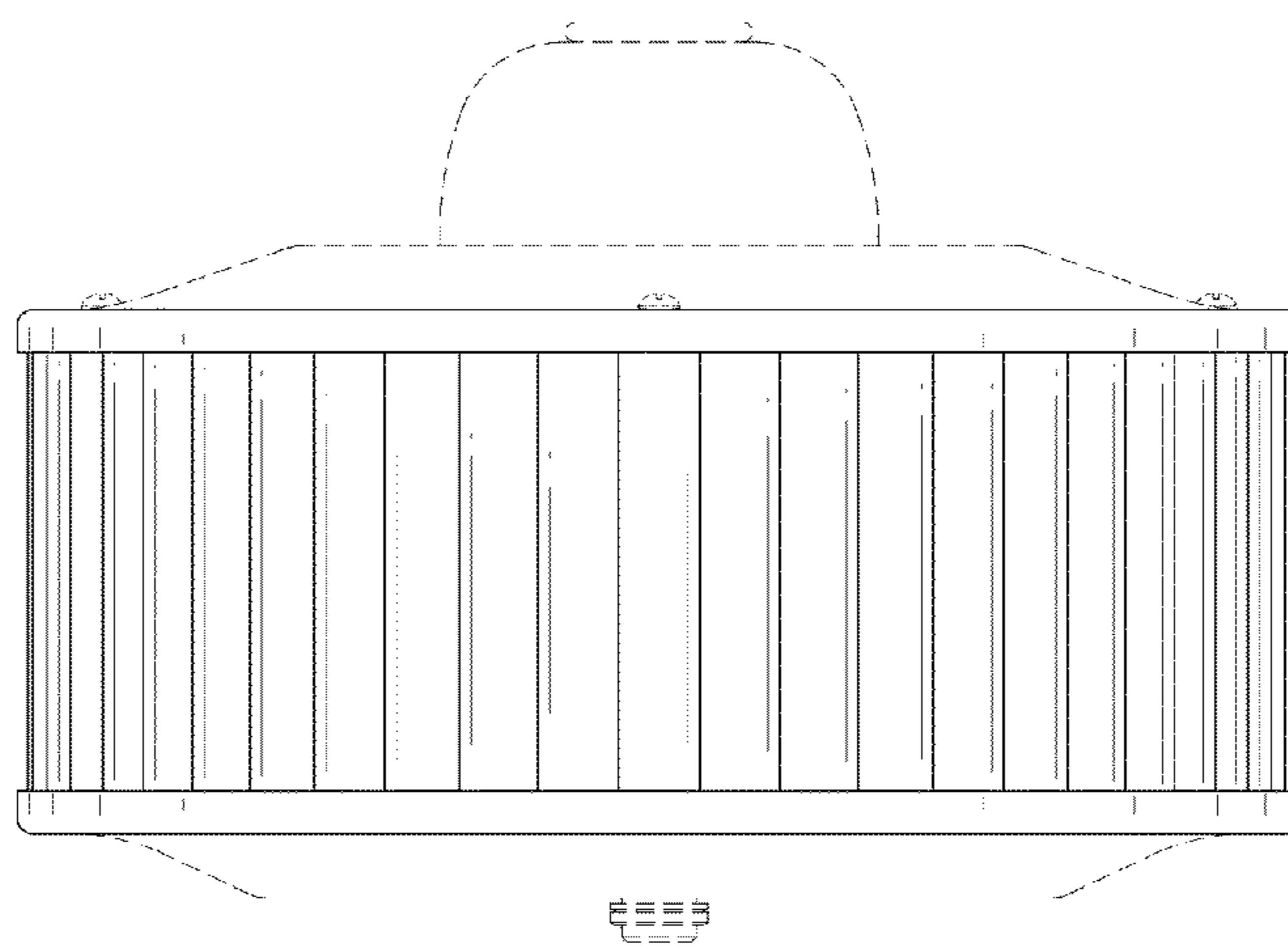


FIG. 3

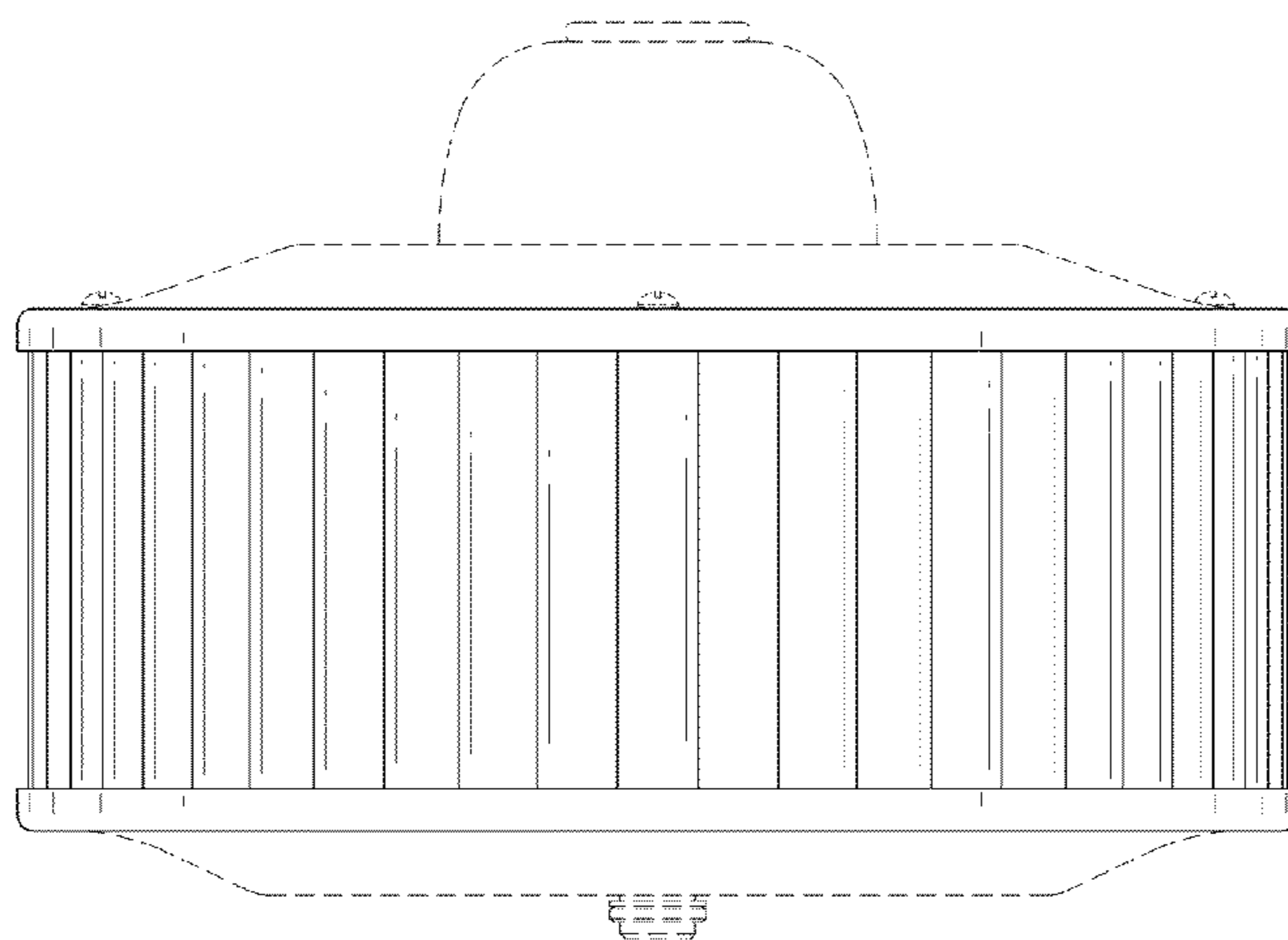


FIG. 4

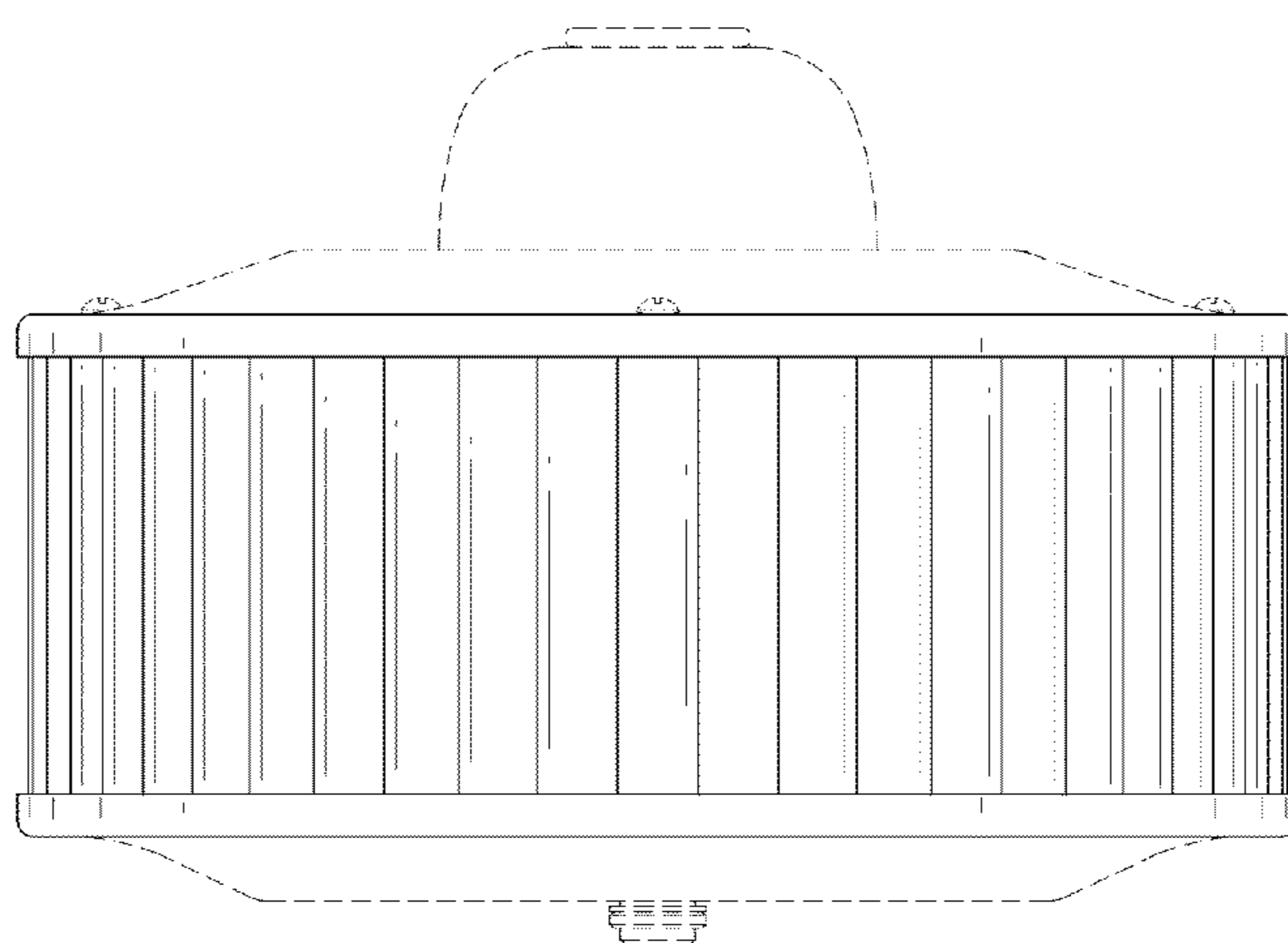


FIG. 5

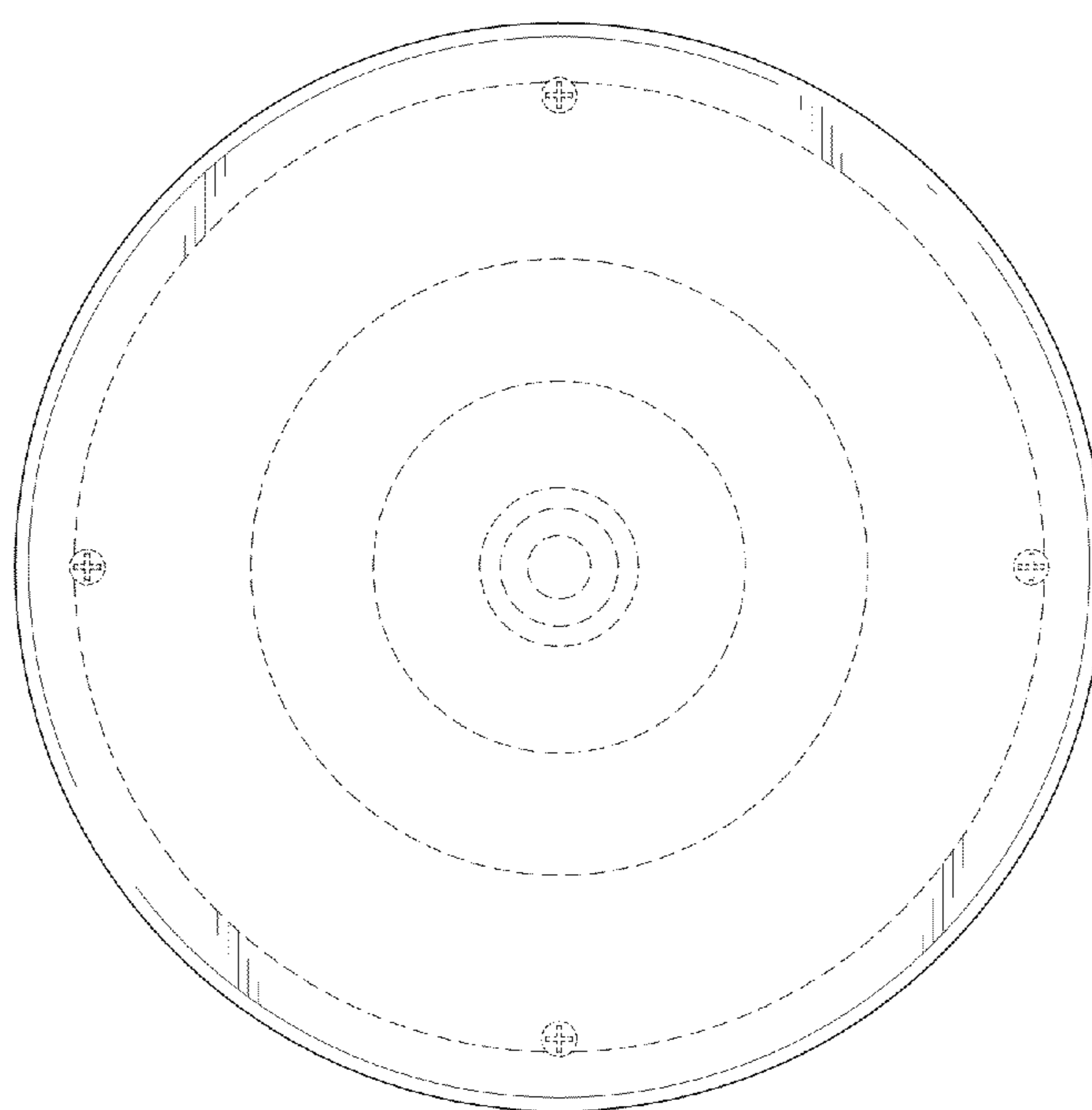


FIG. 6

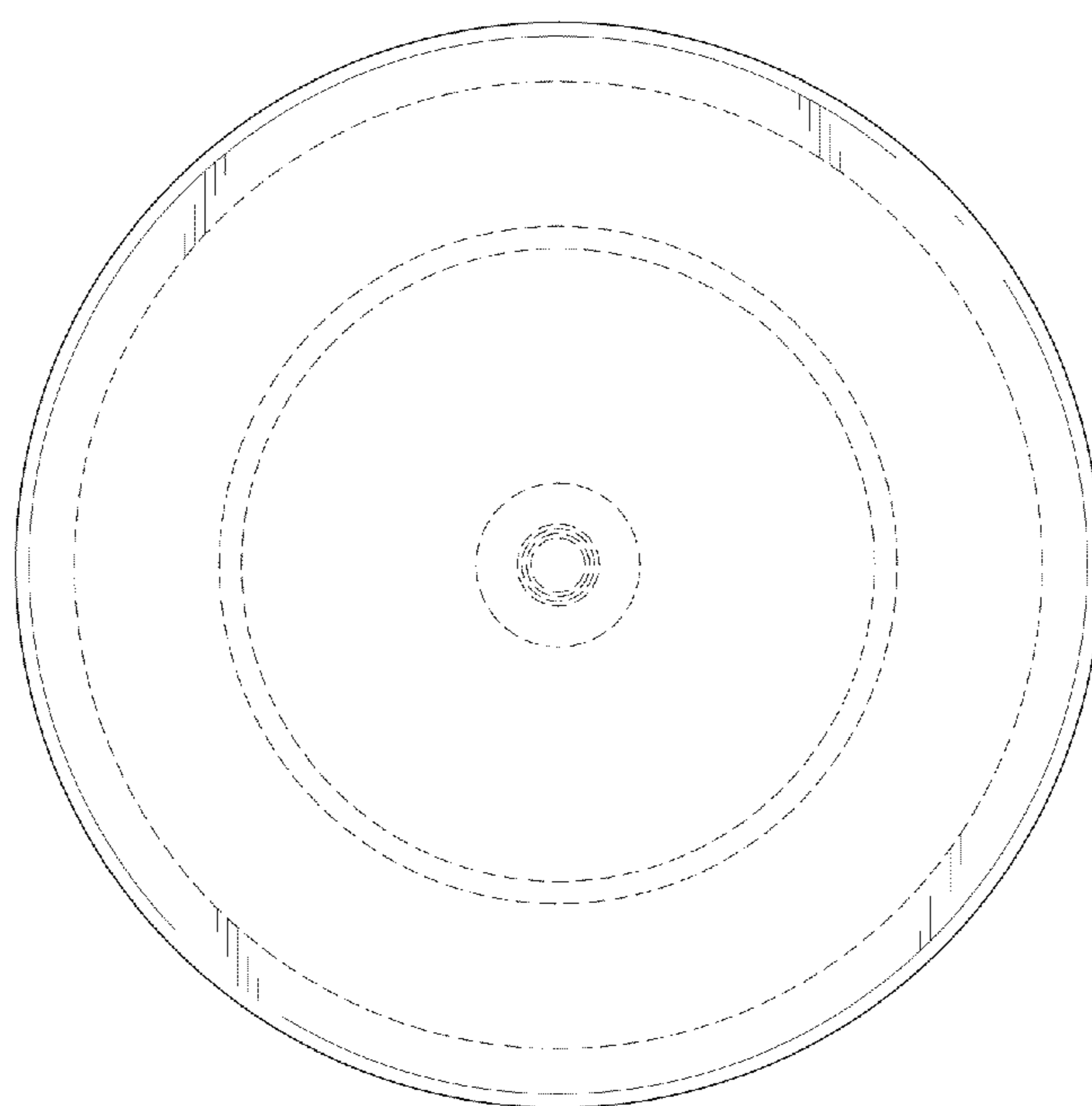


FIG. 7