



US00D671632S

(12) **United States Design Patent**
Jones et al.

(10) **Patent No.:** **US D671,632 S**

(45) **Date of Patent:** **** Nov. 27, 2012**

(54) **CEILING FAN**

(75) Inventors: **Jimmy J. Jones**, Crowley, TX (US);
Dennis D. Davenport, Weatherford, TX
(US)

(73) Assignee: **Sea Gull Lighting Products, LLC**,
Riverside, NJ (US)

(**) Term: **14 Years**

(21) Appl. No.: **29/392,399**

(22) Filed: **May 20, 2011**

(51) **LOC (9) Cl.** **23-04**

(52) **U.S. Cl.** **D23/411**

(58) **Field of Classification Search** D13/179;
D23/370-394, 411-414; D26/51, 59, 72,
D26/81-86; 34/169; 52/302.1, 302.7; 55/DIG. 36;
123/41.7; 126/58, 60, 61, 64-66, 84, 299 D-299 F,
126/299 R, 300, 301, 312, 531; 138/118,
138/121, 172, 173, 177; 165/54, 59; 285/133.6;
392/364; 415/126, 127, 213.1, 214.1; 416/5,
416/204 R, 210 R, 234, 237, 244 R, 247 R;
454/41, 42, 233, 236, 250-253, 275-277,
454/284, 309, 367, 368

See application file for complete search history.

(56) **References Cited**

U.S. PATENT DOCUMENTS

D384,739 S *	10/1997	Dolan	D23/411
D389,908 S *	1/1998	Dolan	D23/411
D505,721 S *	5/2005	Pickett	D23/411
D569,494 S *	5/2008	Pan	D23/411
D594,543 S *	6/2009	Pan	D23/377
D595,403 S *	6/2009	Hidalgo	D23/411
D627,052 S *	11/2010	Pan	D23/411
D627,455 S *	11/2010	Pan	D23/411
D628,286 S *	11/2010	Yang	D23/411
D648,843 S *	11/2011	Chen	D23/411

* cited by examiner

Primary Examiner — Garth Rademaker

(74) *Attorney, Agent, or Firm* — Marshall, Gerstein & Borun
LLP; Randall G. Rueth

(57) **CLAIM**

The ornamental design for a ceiling fan, as shown and
described.

DESCRIPTION

FIG. 1 is a perspective view of a ceiling fan showing the new
design;
FIG. 2 is a front view thereof;
FIG. 3 is a rear view thereof;
FIG. 4 is a right side view thereof;
FIG. 5 is a left side view thereof;
FIG. 6 is a top view thereof; and,
FIG. 7 is a bottom view thereof.
The broken lines depict environmental subject matter only
and form no part of the claimed design.

1 Claim, 5 Drawing Sheets

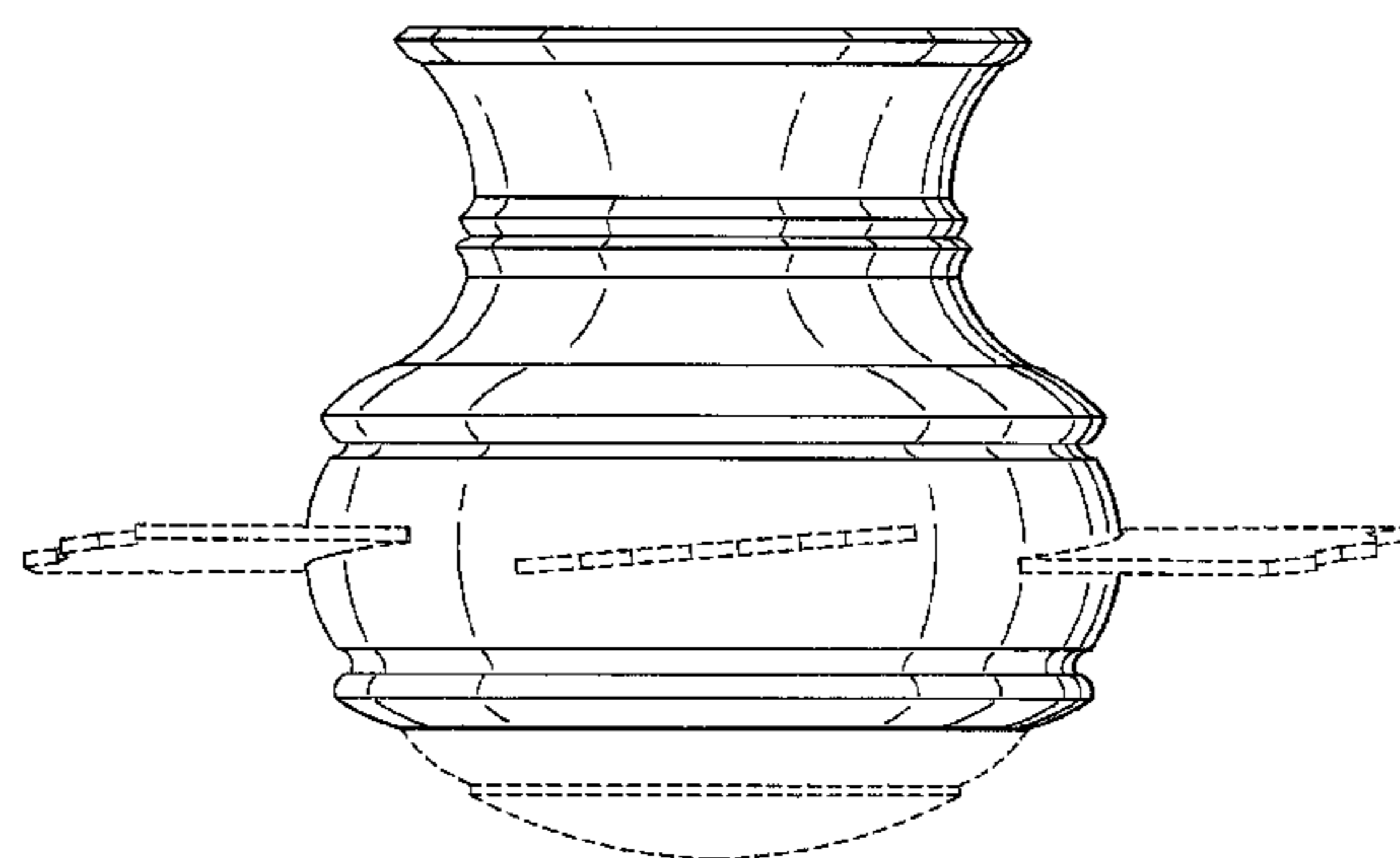
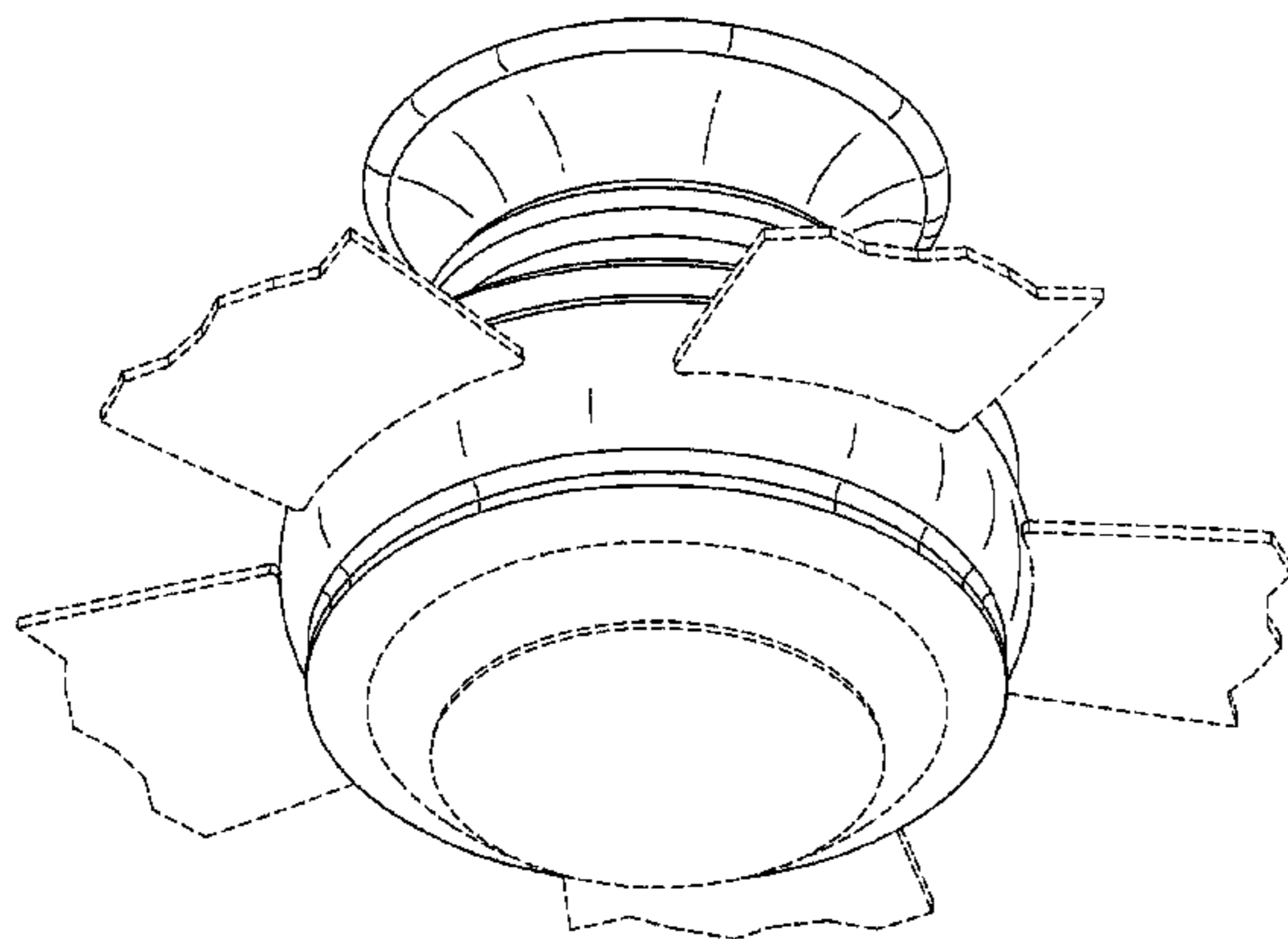


FIG. 1

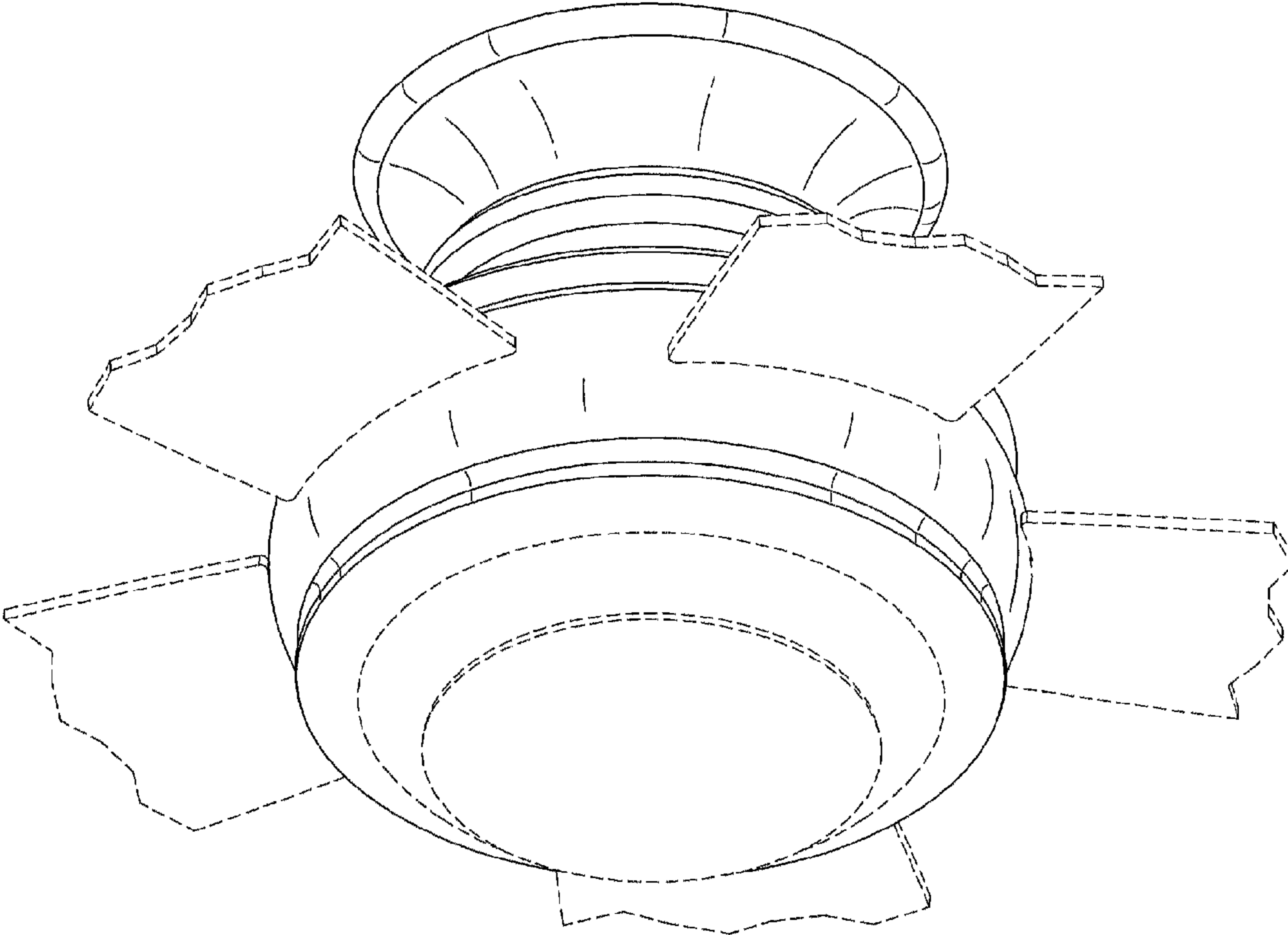


FIG. 2

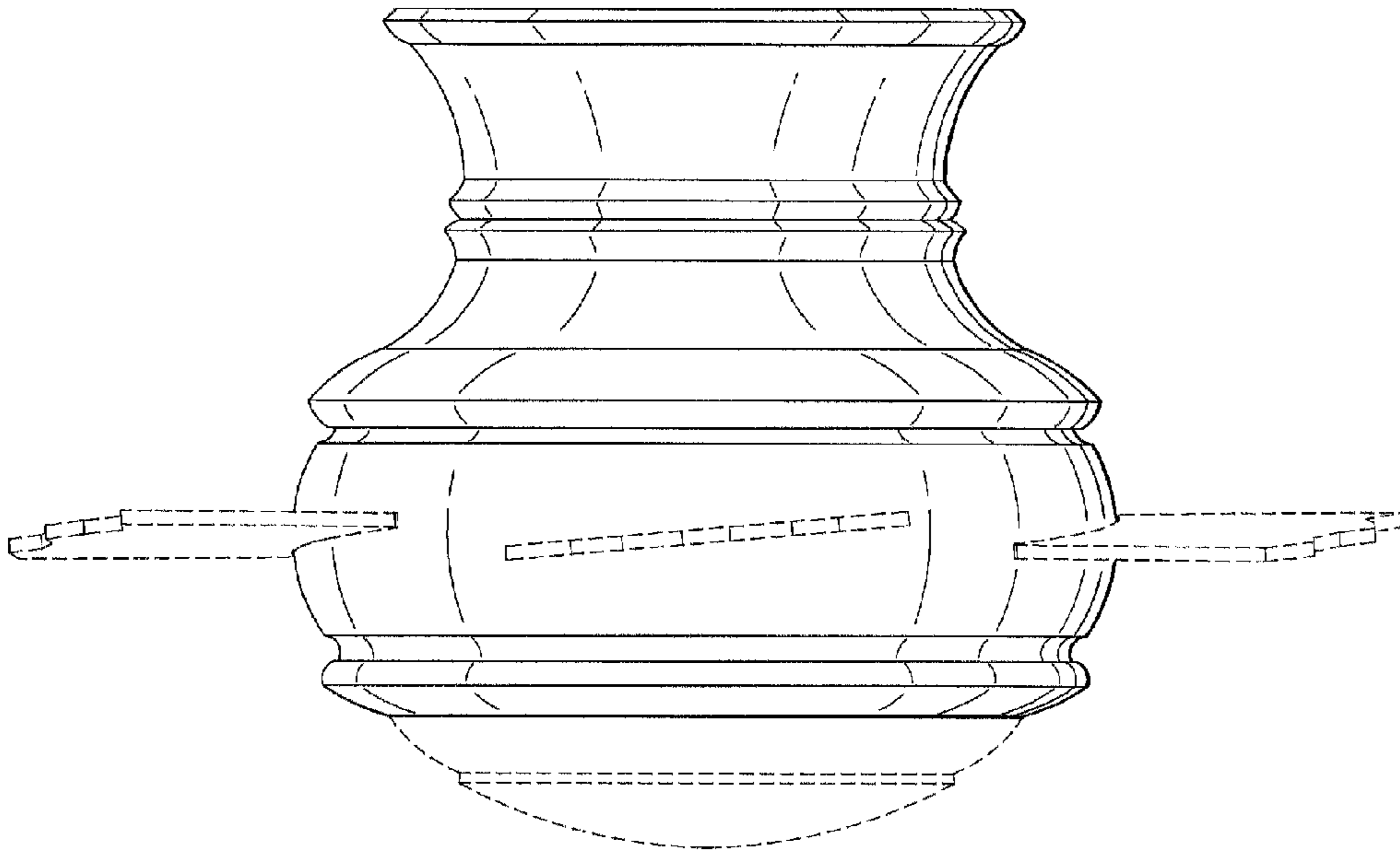


FIG. 3

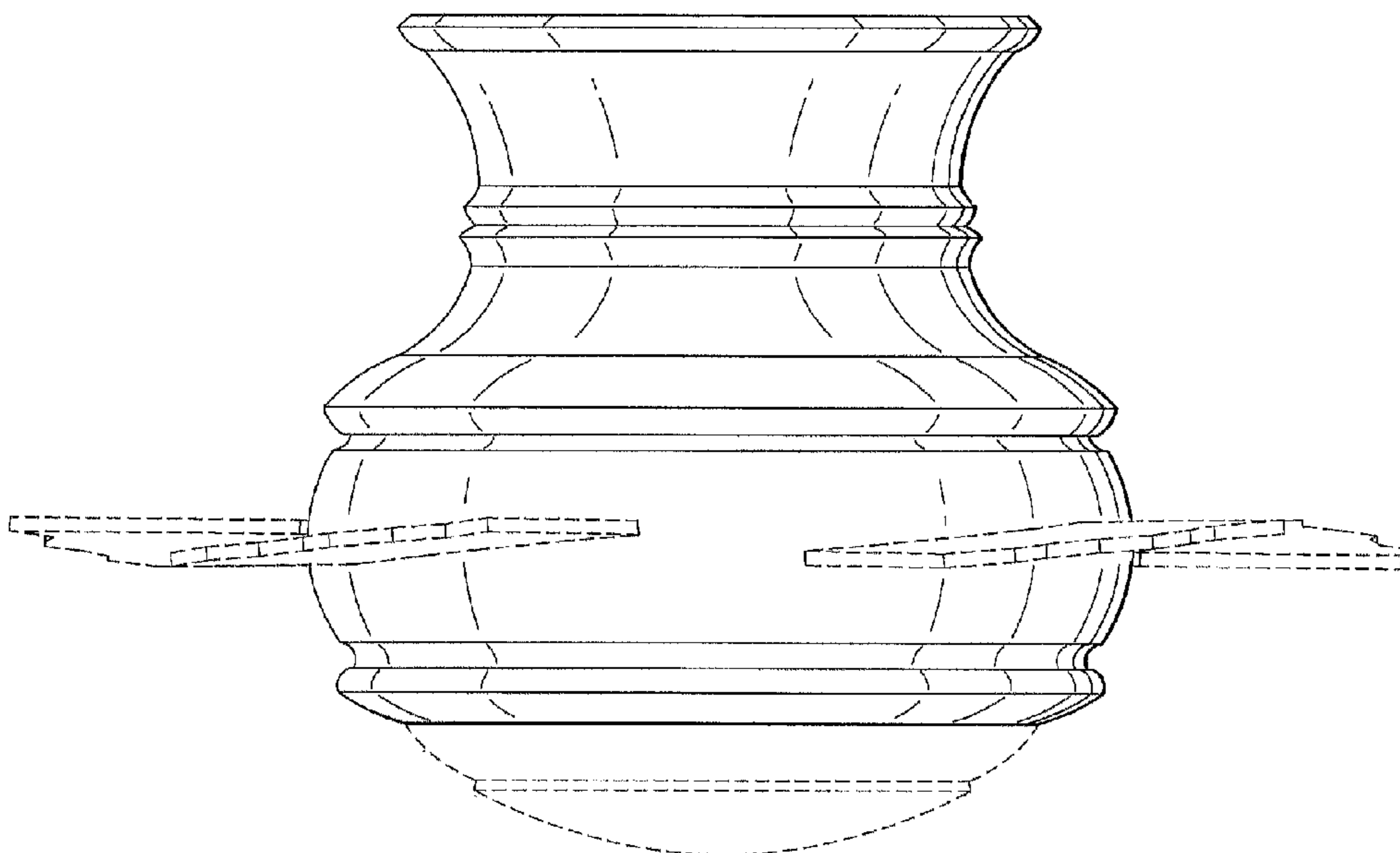


FIG. 4

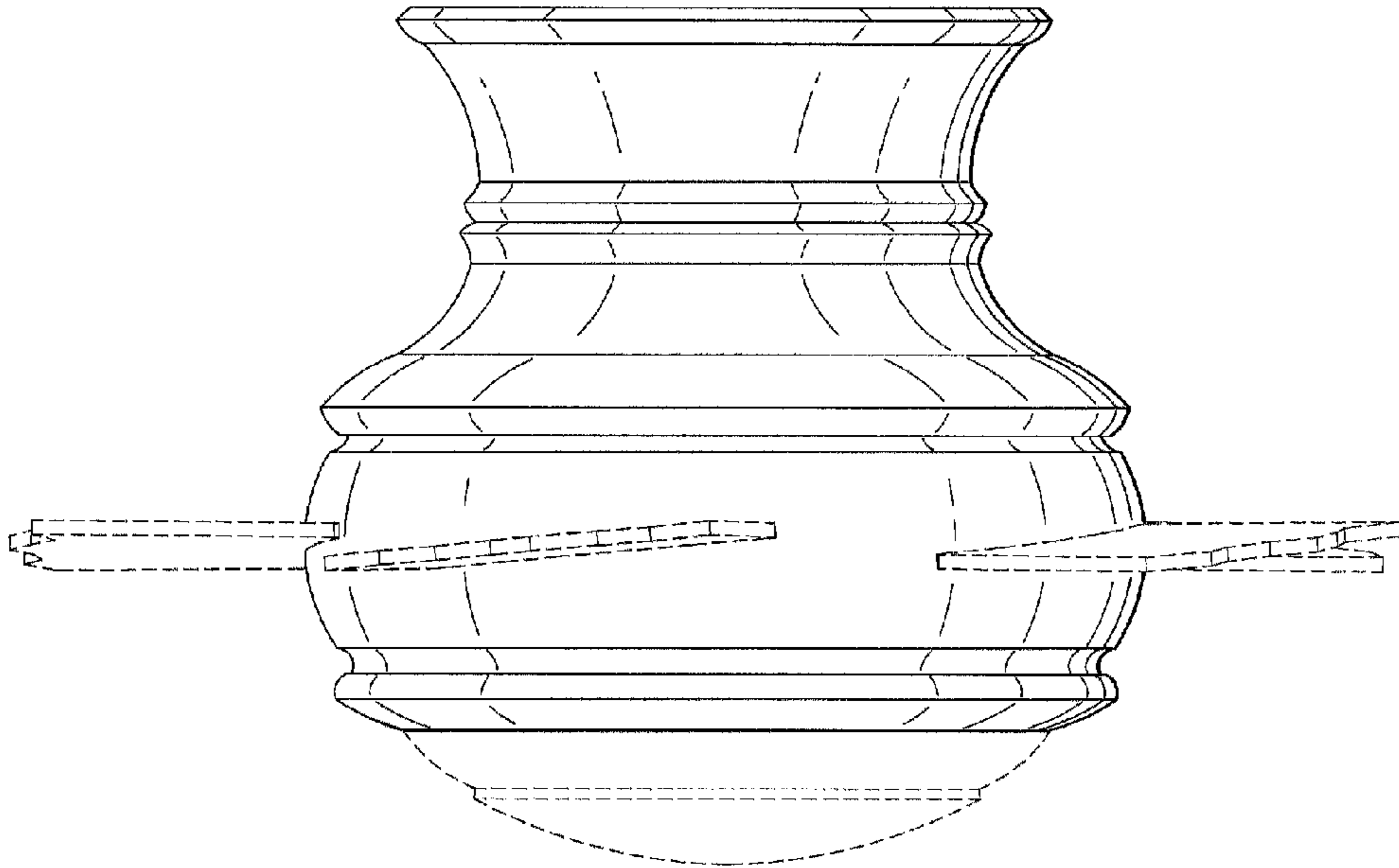


FIG. 5

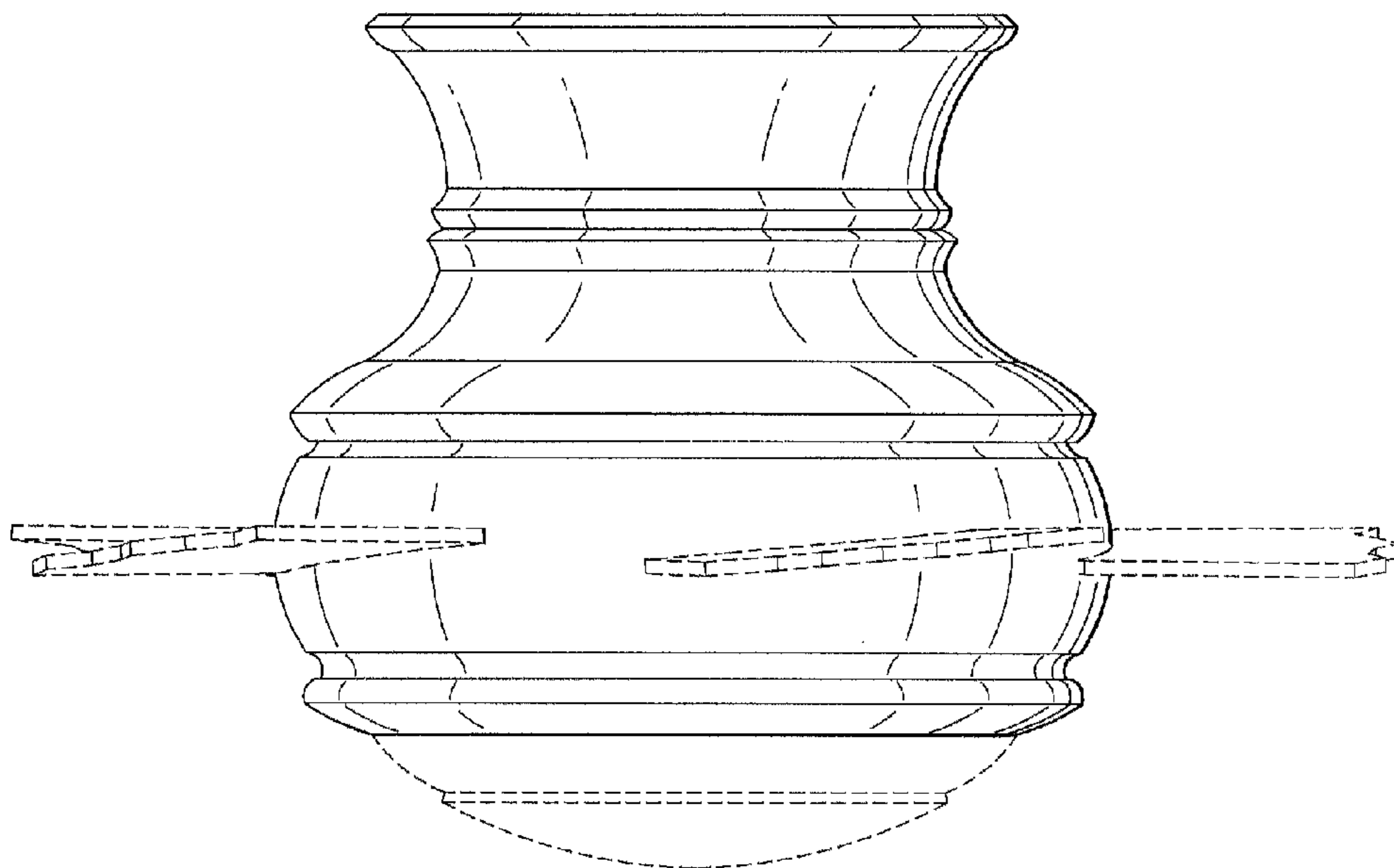


FIG. 6

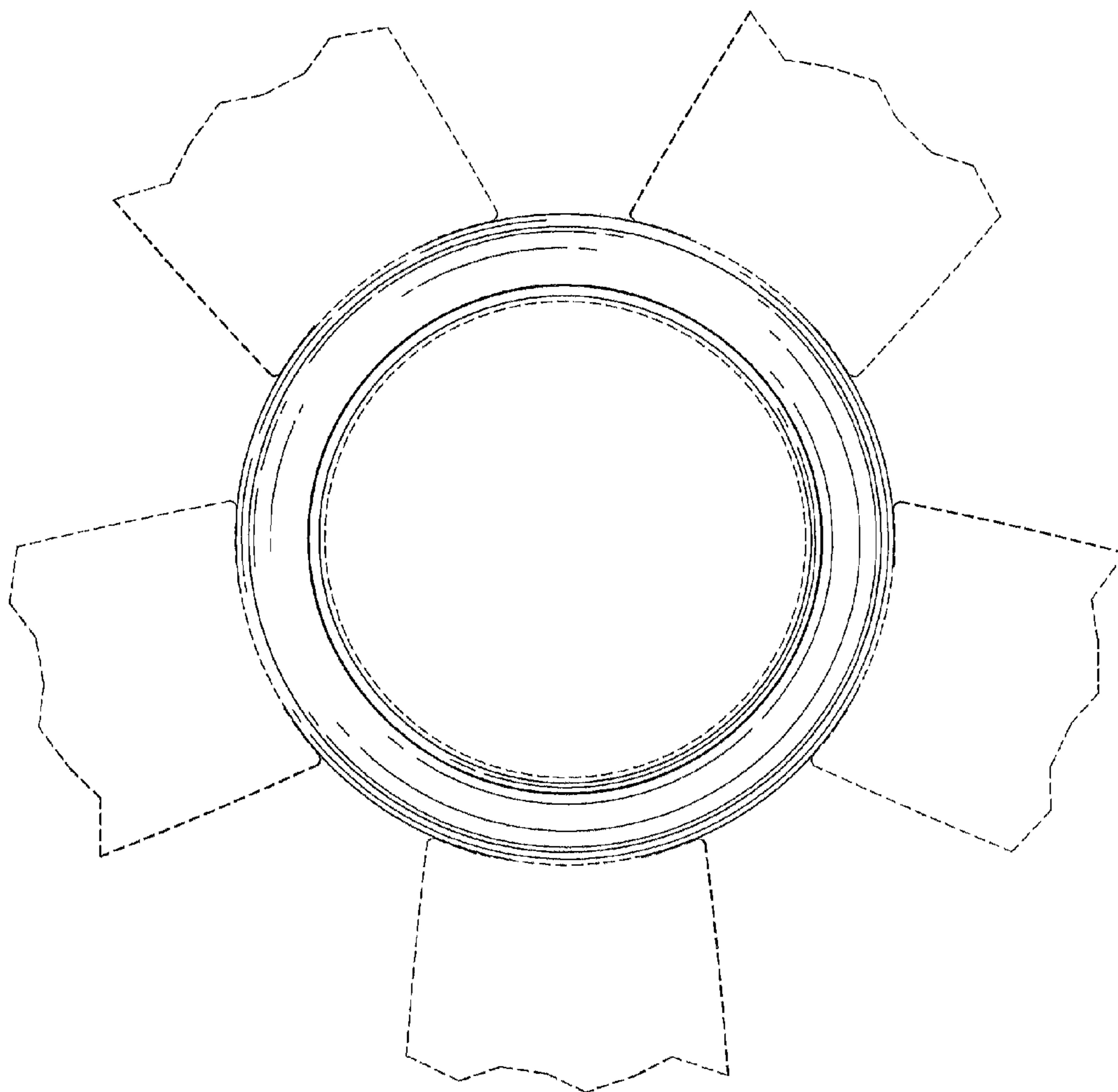


FIG. 7

