



US00D671631S

(12) **United States Design Patent**
Searle

(10) **Patent No.:** **US D671,631 S**

(45) **Date of Patent:** **** Nov. 27, 2012**

(54) **CEILING FAN MOTOR HOUSING**
(75) Inventor: **Scott Searle**, Encino, CA (US)
(73) Assignee: **Air Cool Industrial Co., Ltd.**, Taichung (TW)
(**) Term: **14 Years**
(21) Appl. No.: **29/385,286**

D396,532 S * 7/1998 Tsuji D23/411
D396,534 S * 7/1998 Tsuji et al. D23/411
D397,419 S * 8/1998 Tsuji et al. D23/411
D450,831 S * 11/2001 Hsieh D23/377
D523,951 S * 6/2006 Pickett D23/411
D569,494 S * 5/2008 Pan D23/411
D594,543 S * 6/2009 Pan D23/377
D627,052 S * 11/2010 Pan D23/411
D643,105 S * 8/2011 Orozco D23/377
D648,843 S * 11/2011 Chen D23/411

* cited by examiner

(22) Filed: **Feb. 11, 2011**
(51) **LOC (9) Cl.** **23-04**
(52) **U.S. Cl.** **D23/411**
(58) **Field of Classification Search** D13/179;
D23/370-394, 411-414; D26/51, 59, 72,
D26/81-86; 34/169; 52/302.1, 302.7; 55/DIG. 36;
123/41.7; 126/58, 60, 61, 64-66, 84, 299 D-299 F,
126/299 R, 300, 301, 312, 531; 138/118,
138/121, 172, 173, 177; 165/54, 59; 285/133.6;
392/364; 415/126, 127, 213.1, 214.1; 416/5,
416/204 R, 210 R, 234, 237, 244 R, 247 R;
454/41, 42, 233, 236, 250-253, 275-277,
454/284, 309, 367, 368
See application file for complete search history.

Primary Examiner — Garth Rademaker
(74) *Attorney, Agent, or Firm* — Ming Chow; Sinorica, LLC

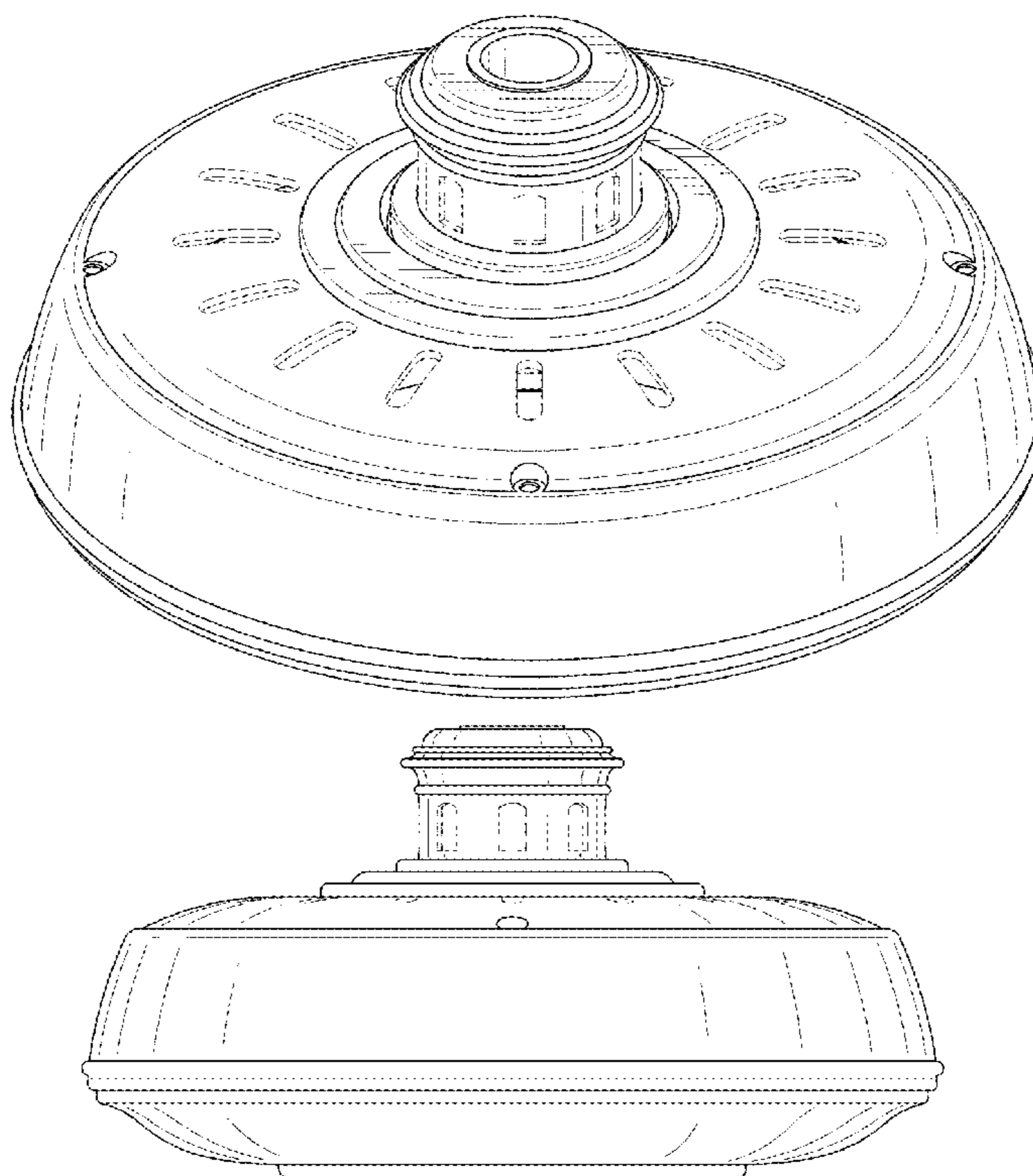
(57) **CLAIM**
I claim the ornamental design for a ceiling fan motor housing, as shown and described.

DESCRIPTION

FIG. 1 is a front perspective view of a ceiling fan motor housing showing my new design;
FIG. 2 is a front elevational view thereof;
FIG. 3 is a rear elevational view thereof.
FIG. 4 is a left side elevational view thereof;
FIG. 5 is a right side elevational view thereof;
FIG. 6 is a top plan view thereof; and,
FIG. 7 is a bottom plan view thereof.
The broken lines depict environmental subject matter only and form no part of the claimed design.

(56) **References Cited**
U.S. PATENT DOCUMENTS
D306,064 S * 2/1990 Bartlett et al. D23/383
D389,569 S * 1/1998 Gee et al. D23/411
D392,035 S * 3/1998 Gee et al. D23/411

1 Claim, 5 Drawing Sheets



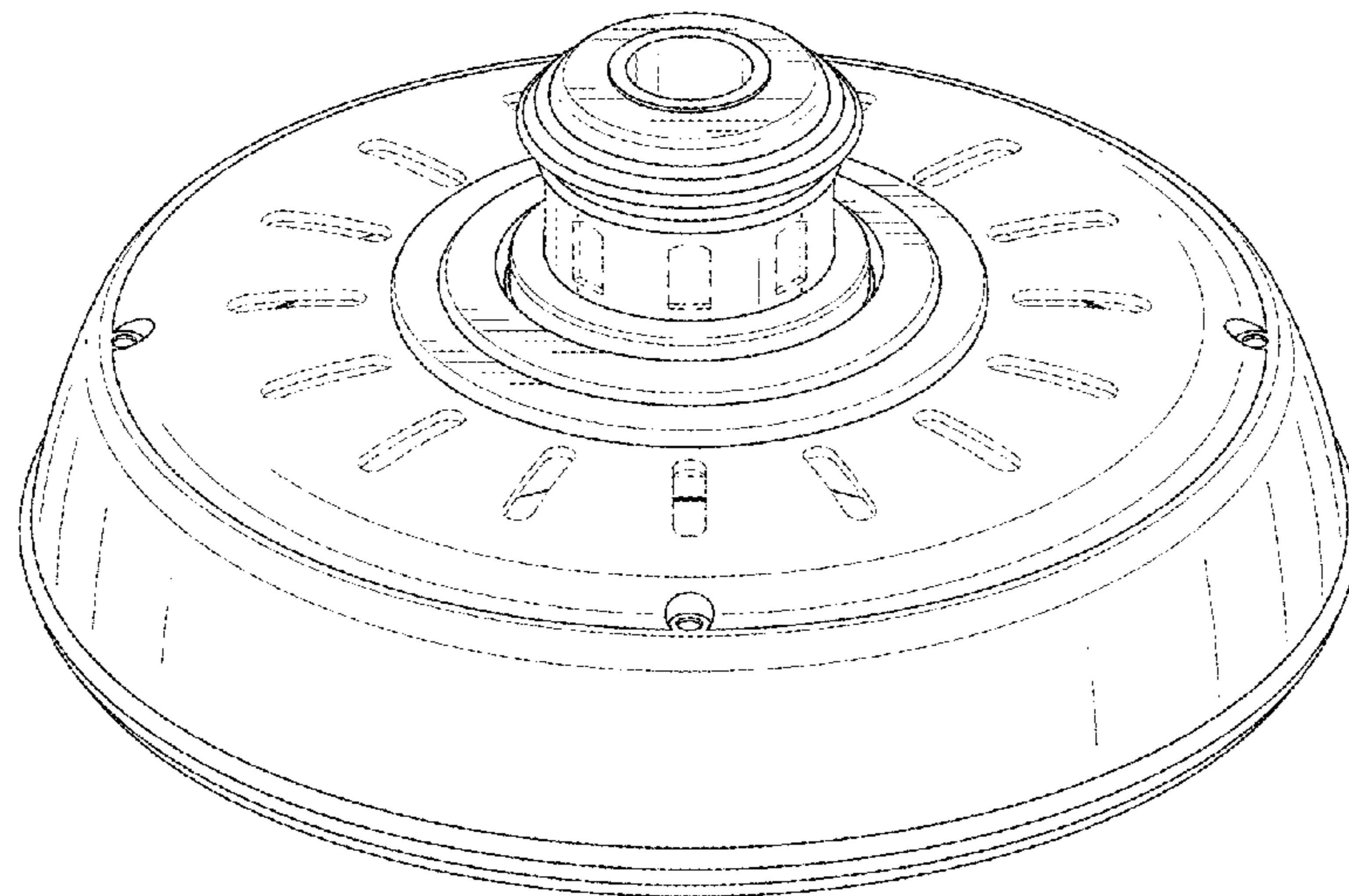


FIG. 1

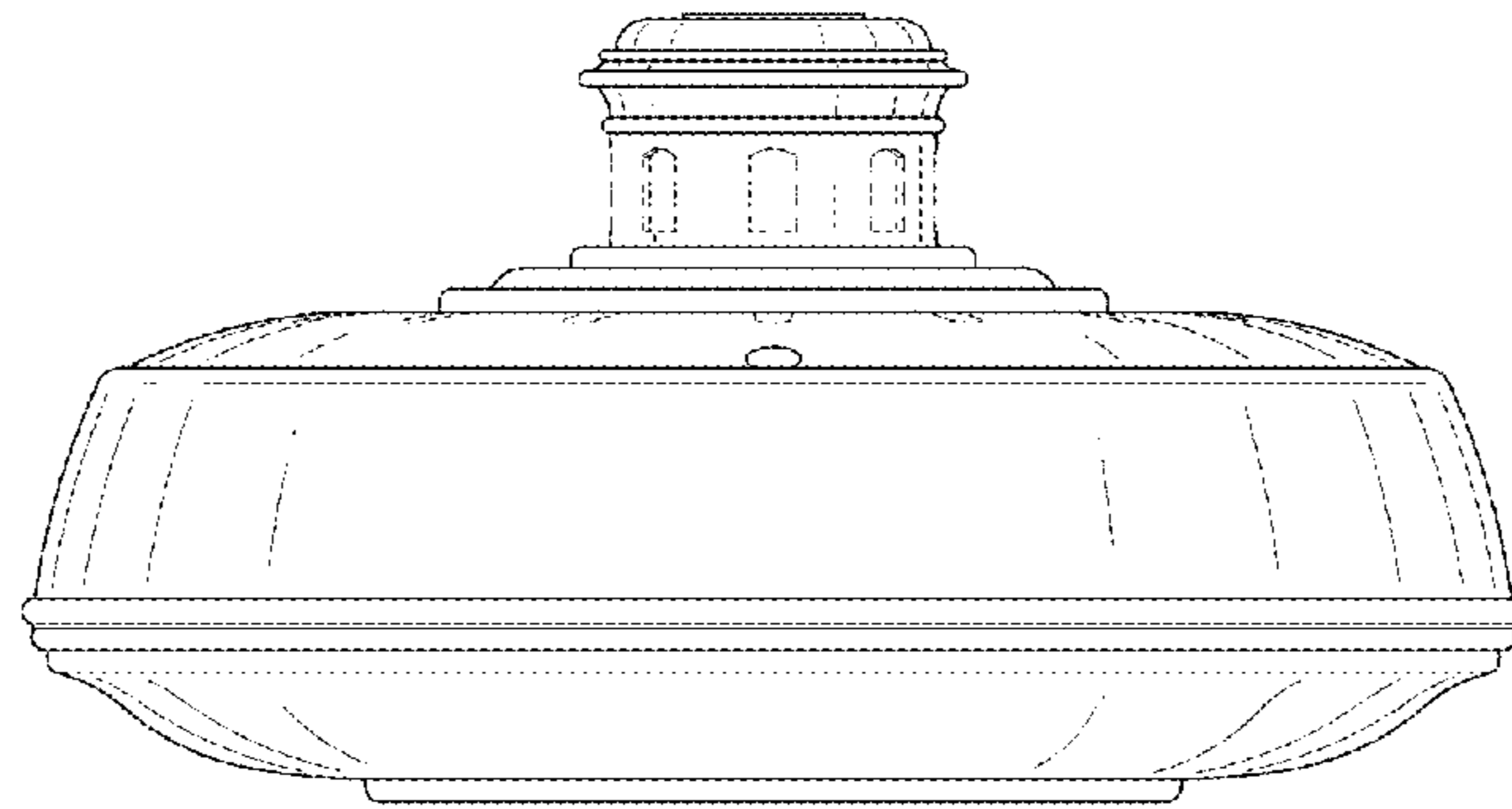


FIG. 2

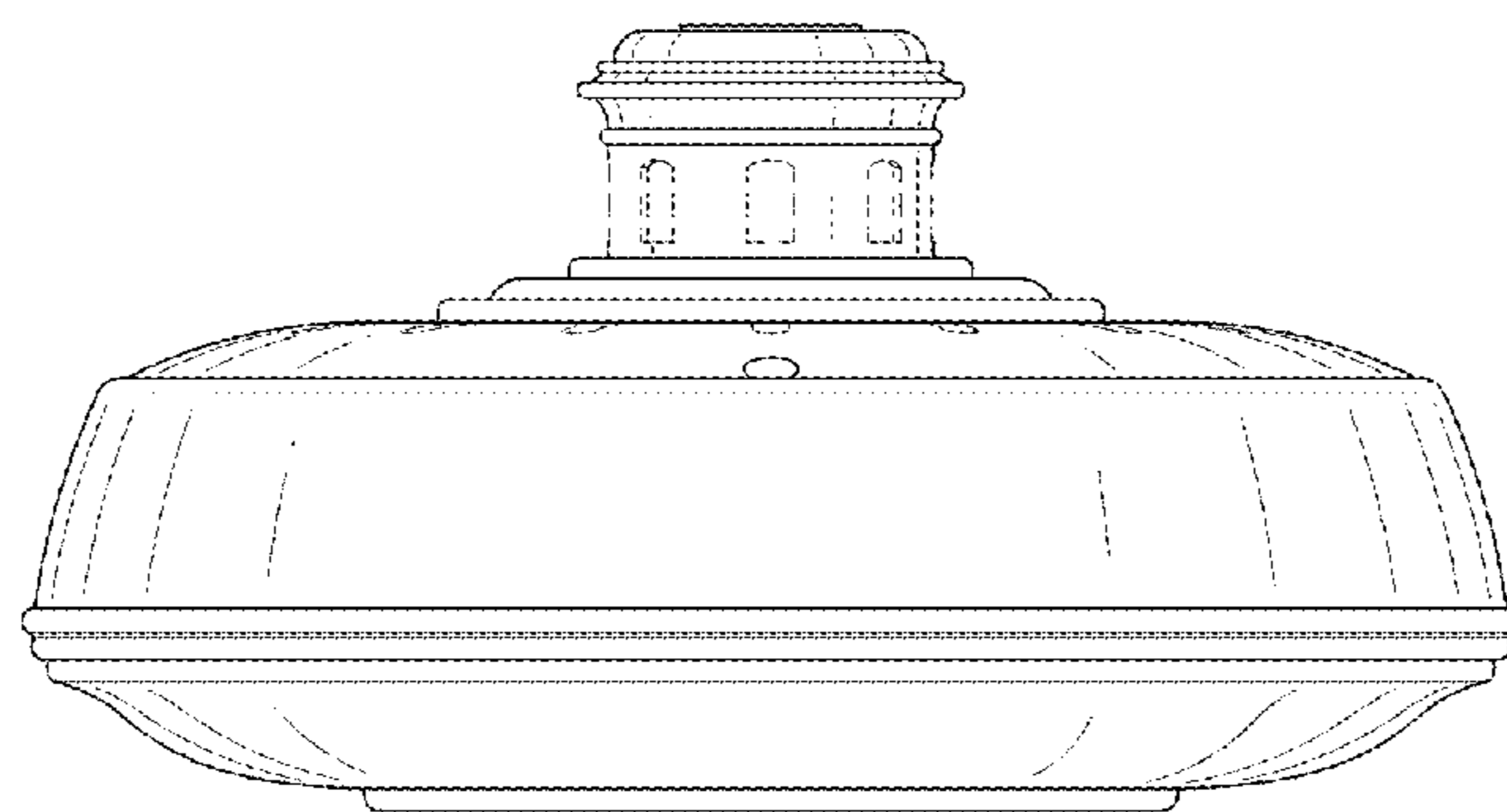


FIG. 3

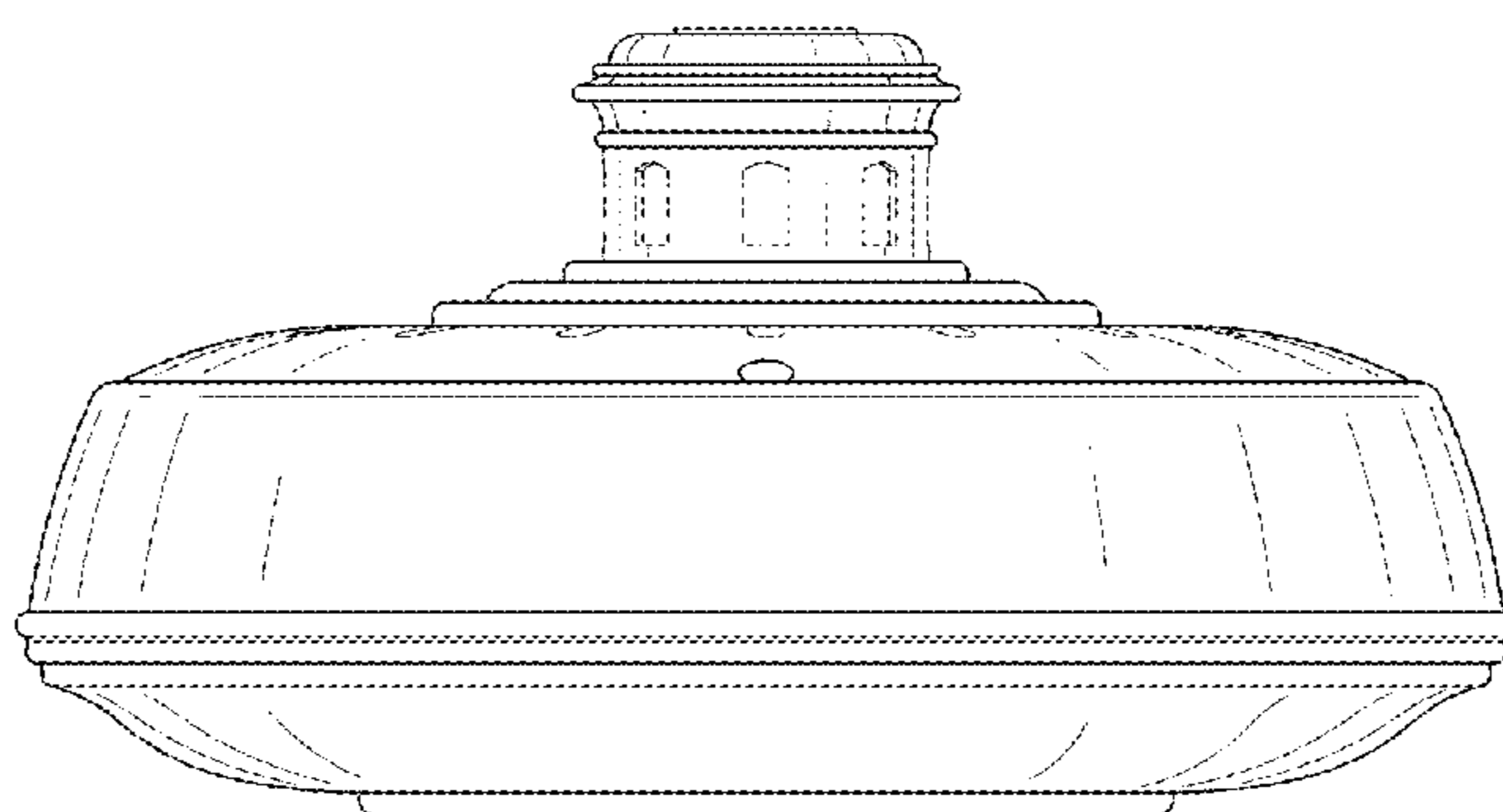


FIG. 4

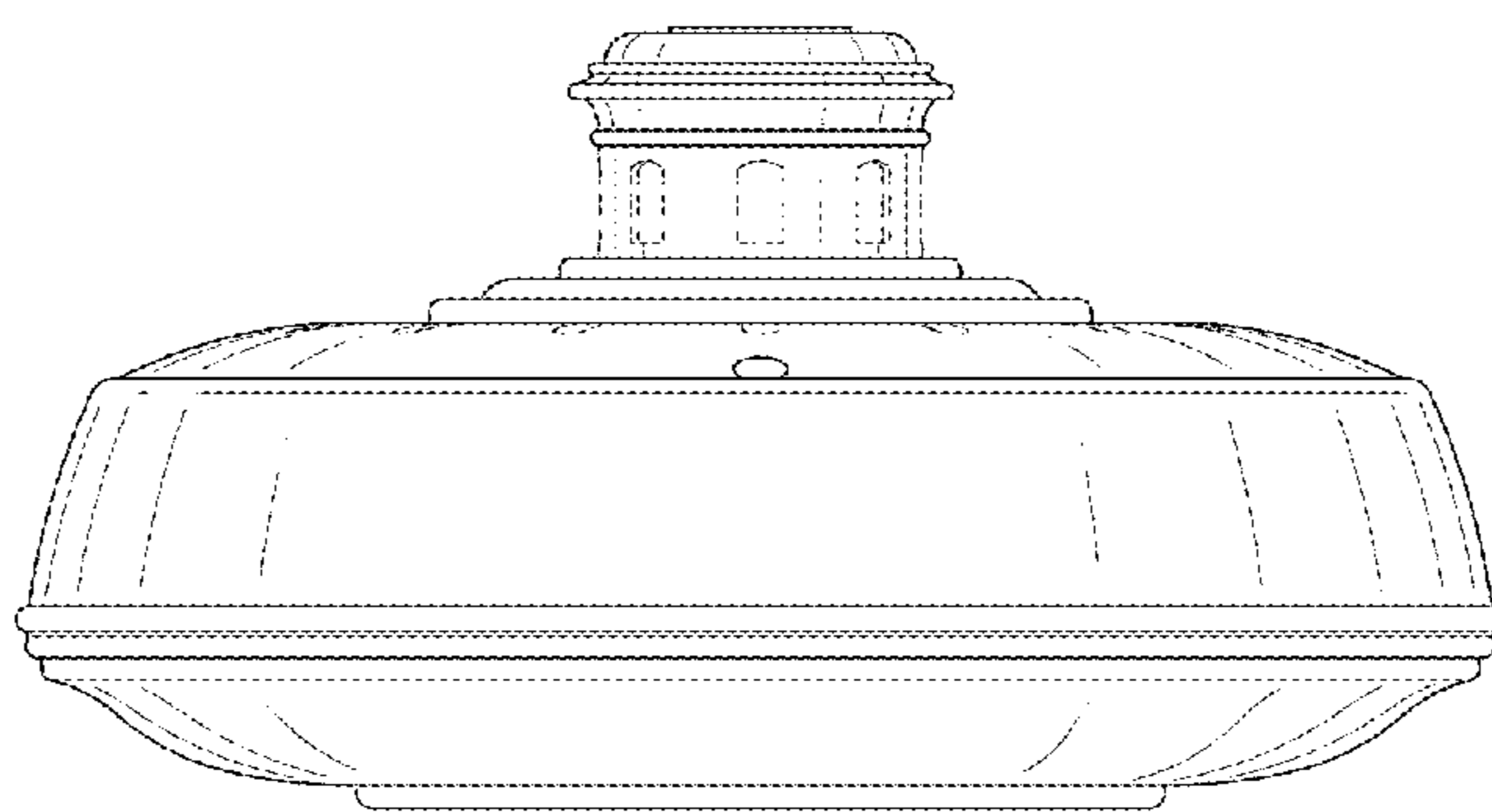


FIG. 5

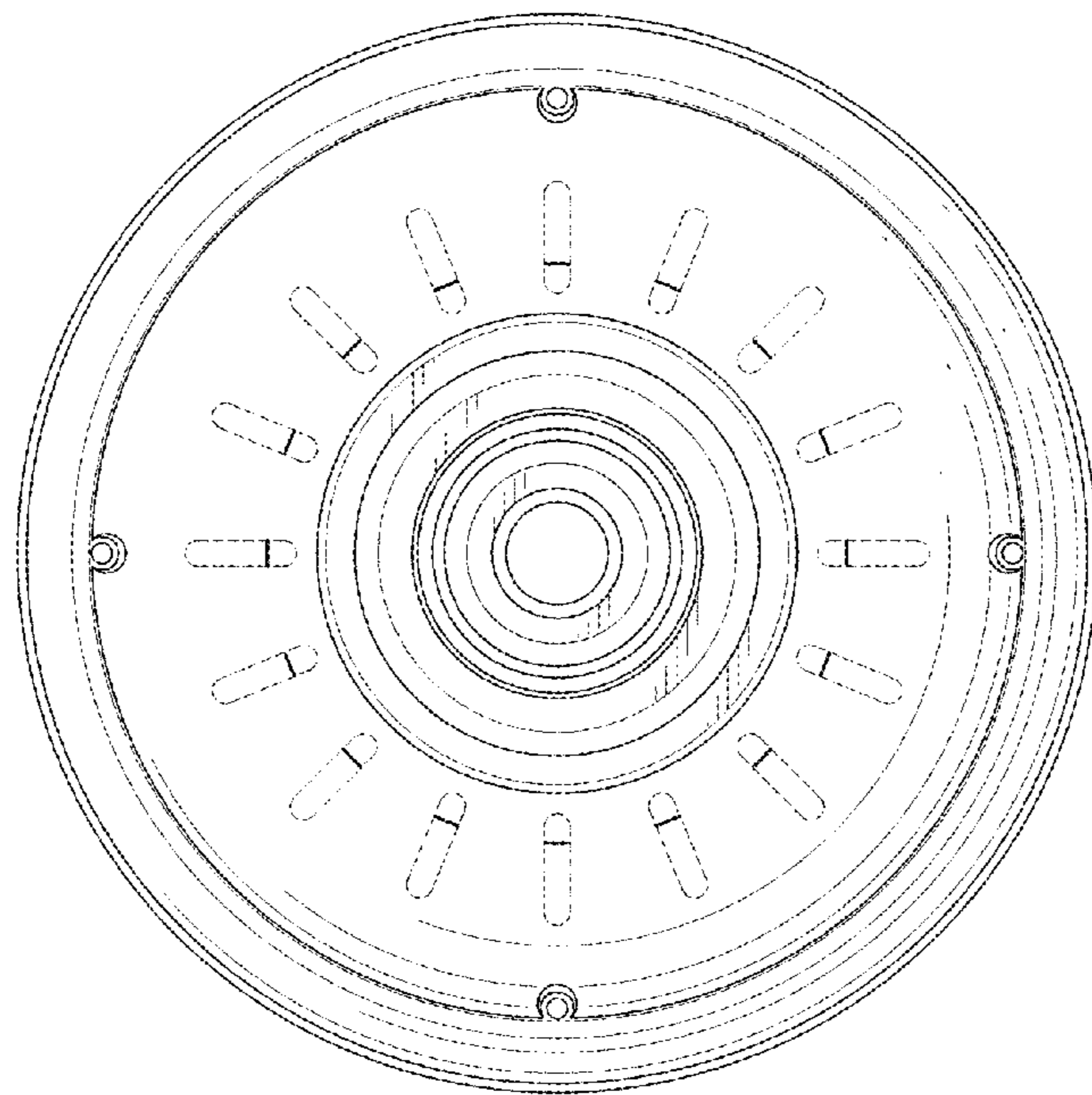


FIG. 6

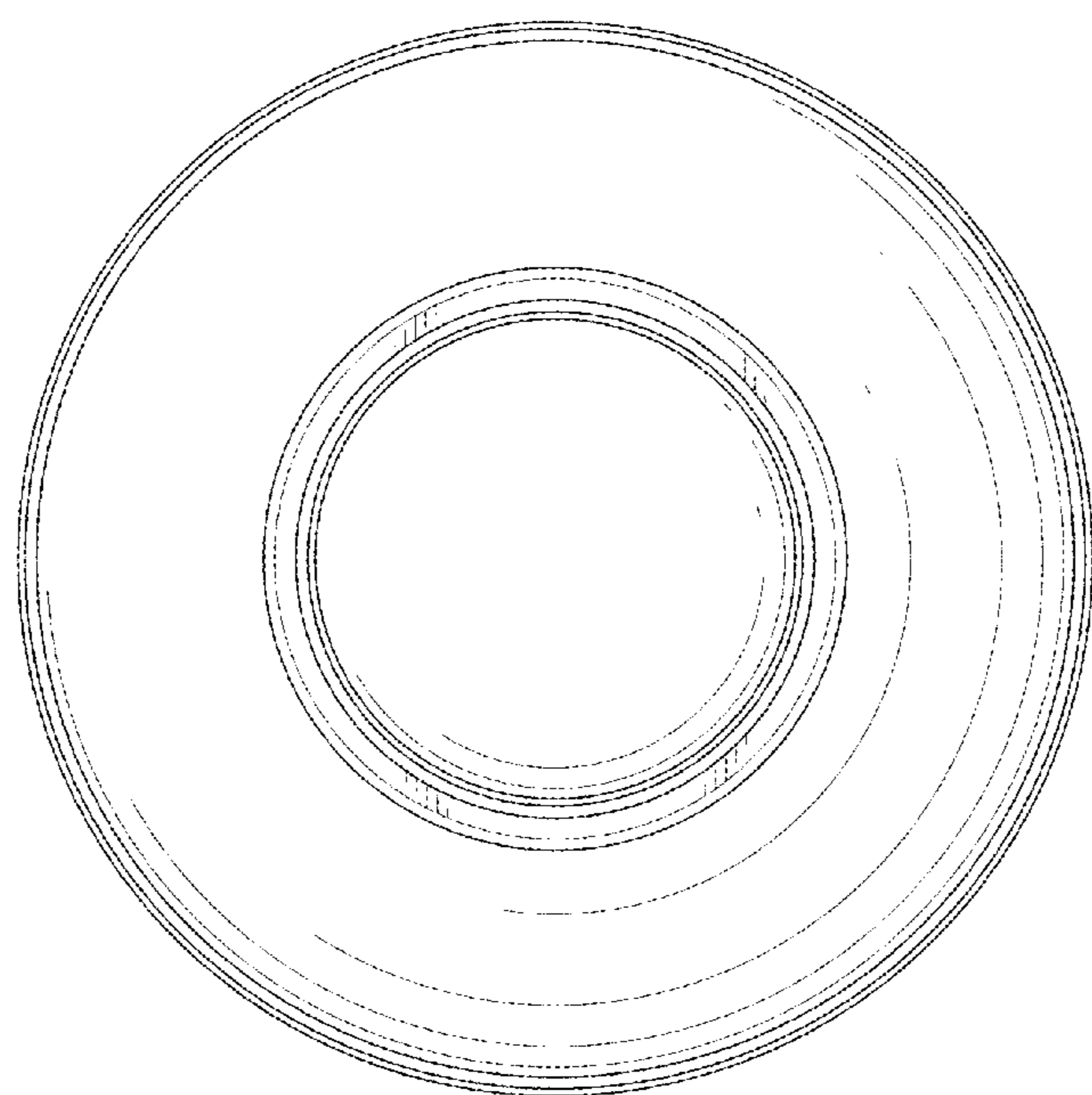


FIG. 7