



US00D671630S

(12) **United States Design Patent**
Hideharu et al.

(10) **Patent No.:** **US D671,630 S**

(45) **Date of Patent:** **** Nov. 27, 2012**

(54) **NECKLACE FAN**

(75) Inventors: **Takei Hideharu**, Sai Kung (HK); **James D. Krehel**, Chicago, IL (US)

(73) Assignee: **GLJ, LLC**, Chicago, IL (US)

(**) Term: **14 Years**

(21) Appl. No.: **29/374,330**

(22) Filed: **Aug. 1, 2011**

(51) **LOC (9) Cl.** **23-04**

(52) **U.S. Cl.** **D23/382**

(58) **Field of Classification Search** D23/328,
D23/332, 333, 335-337, 370-386, 397, 411-414;
248/676; 310/58, 59, 60 A, 60 R, 61-65;
392/365-369, 373, 374, 382, 383; 416/63,
416/179, 185, 186 R, 187, 189, 235, 244 R,
416/246, 247 R

See application file for complete search history.

(56) **References Cited**

U.S. PATENT DOCUMENTS

| | | | | |
|--------------|---------|-------------|-------|---------|
| D313,275 S * | 12/1990 | Aida | | D23/370 |
| D314,614 S * | 2/1991 | Ko | | D23/328 |
| D349,570 S * | 8/1994 | Radtke, Jr. | | D23/382 |
| D365,393 S * | 12/1995 | Geun | | D23/382 |
| D372,523 S * | 8/1996 | Radtke, Jr. | | D23/328 |

| | | | | |
|-------------------|--------|----------------|-------|-----------|
| D460,542 S * | 7/2002 | Li | | D23/328 |
| D543,614 S * | 5/2007 | Chen | | D23/382 |
| D594,959 S * | 6/2009 | Orihara et al. | | D23/381 |
| D594,960 S * | 6/2009 | Orihara et al. | | D23/381 |
| D595,836 S * | 7/2009 | Ediger et al. | | D23/411 |
| D596,284 S * | 7/2009 | Ediger et al. | | D23/411 |
| 2002/0057022 A1 * | 5/2002 | Yamamoto | | 310/58 |
| 2008/0101928 A1 * | 5/2008 | Chen | | 415/213.1 |

* cited by examiner

Primary Examiner — Garth Rademaker

(74) *Attorney, Agent, or Firm* — Knechtel, Demeur & Samlan

(57) **CLAIM**

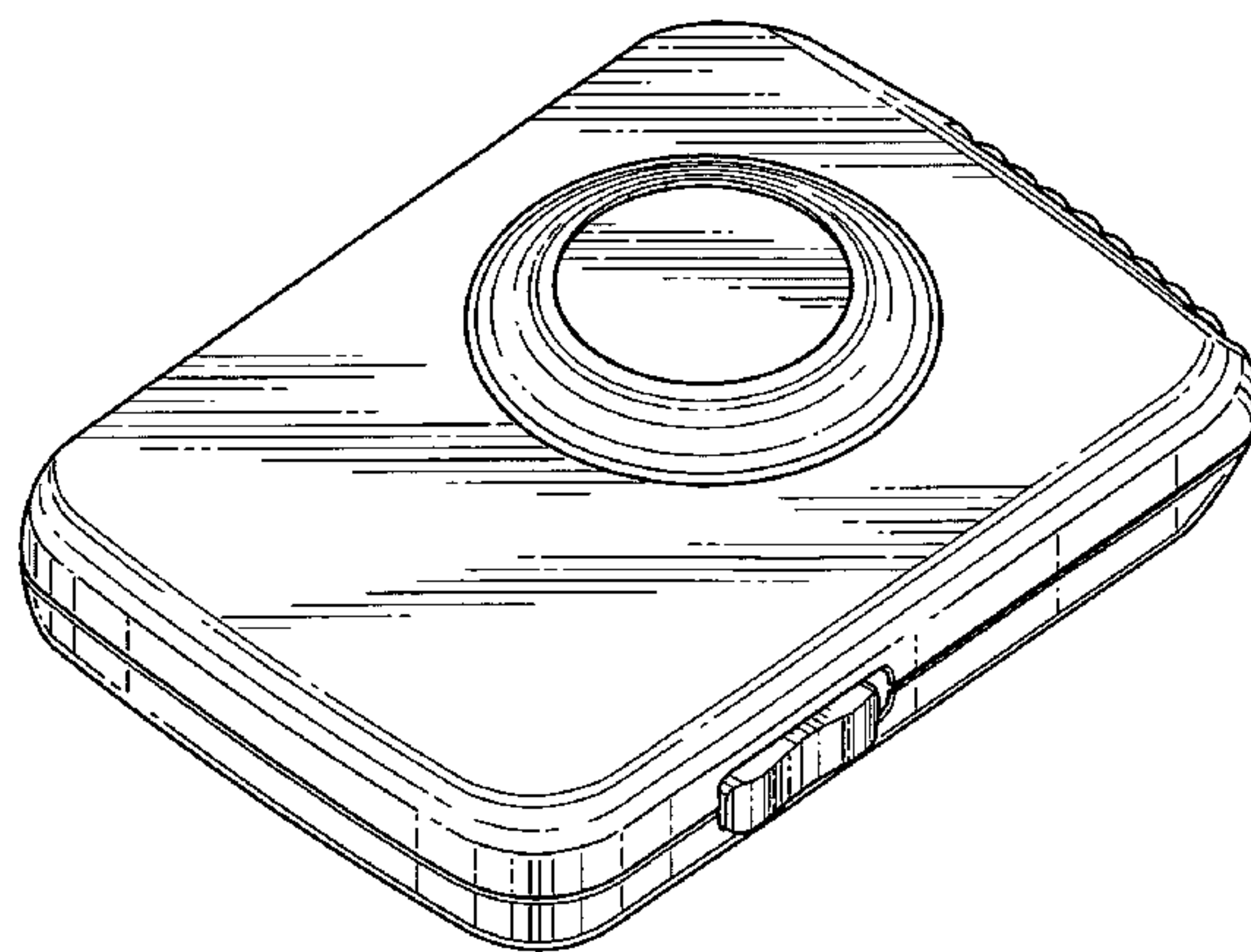
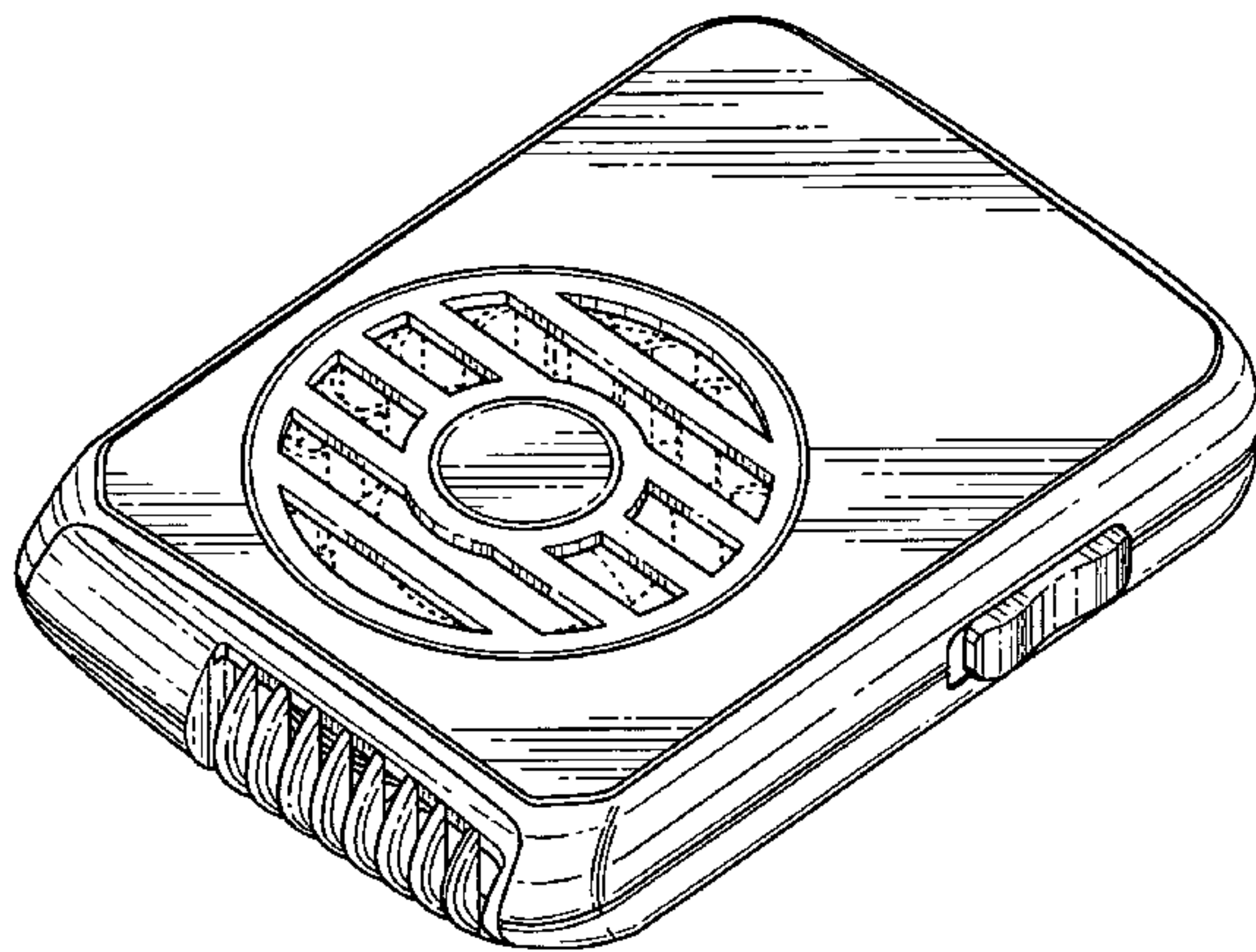
The ornamental design for a necklace fan, as shown and described.

DESCRIPTION

FIG. 1 is a front perspective view of a necklace fan; FIG. 2 is a rear perspective view of the necklace fan; FIG. 3 is a front elevational view of the necklace fan; FIG. 4 is a rear elevational; view of the necklace fan; FIG. 5 is a side elevational view of the necklace fan; FIG. 6 is an opposite side elevational view of the necklace fan; FIG. 7 is a bottom plan view of the necklace fan; and, FIG. 8 is a top plan view of the necklace fan.

The broken lines depict environmental subject matter only and form no part of the claimed design.

1 Claim, 4 Drawing Sheets



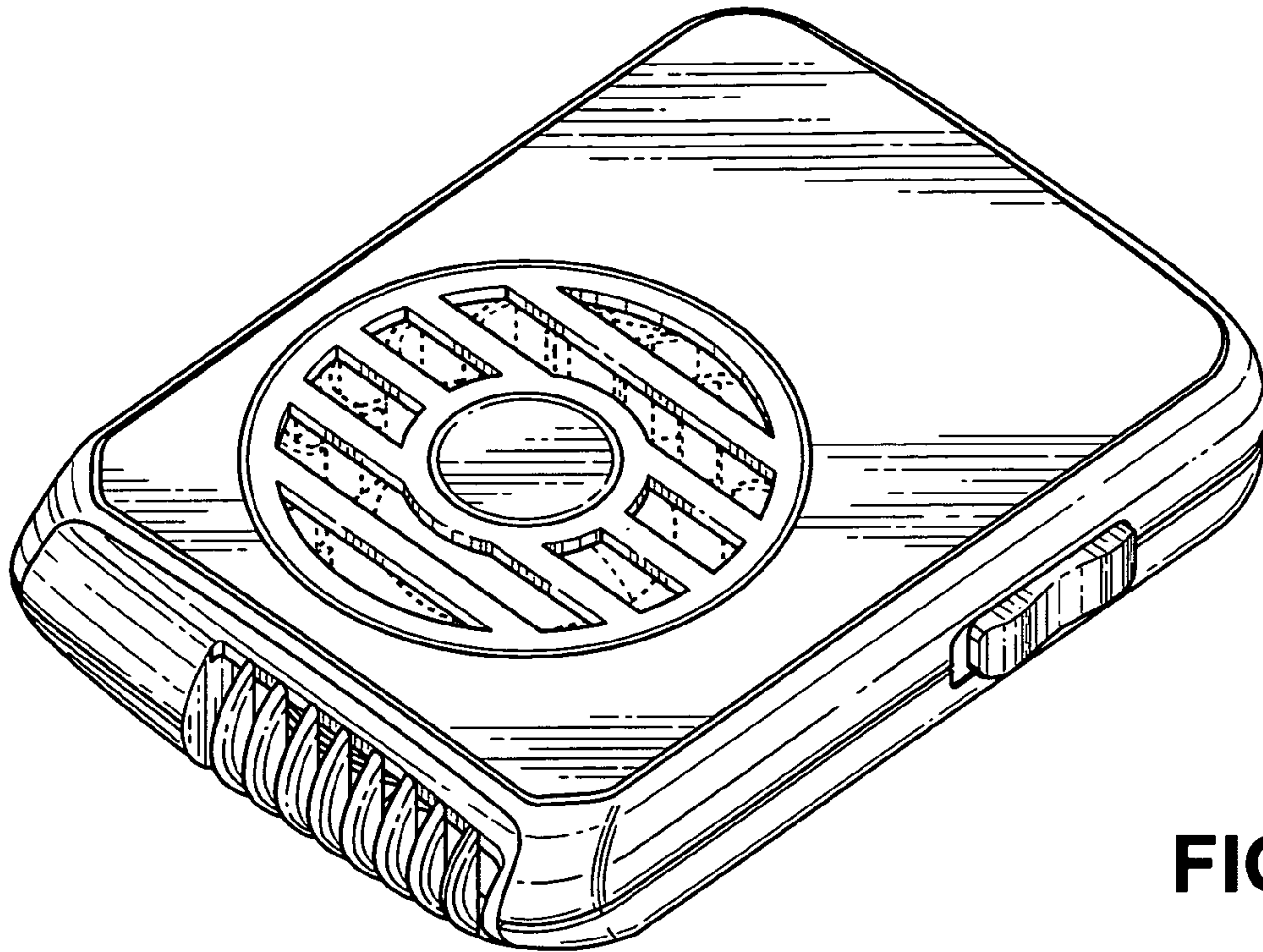


FIG. 1

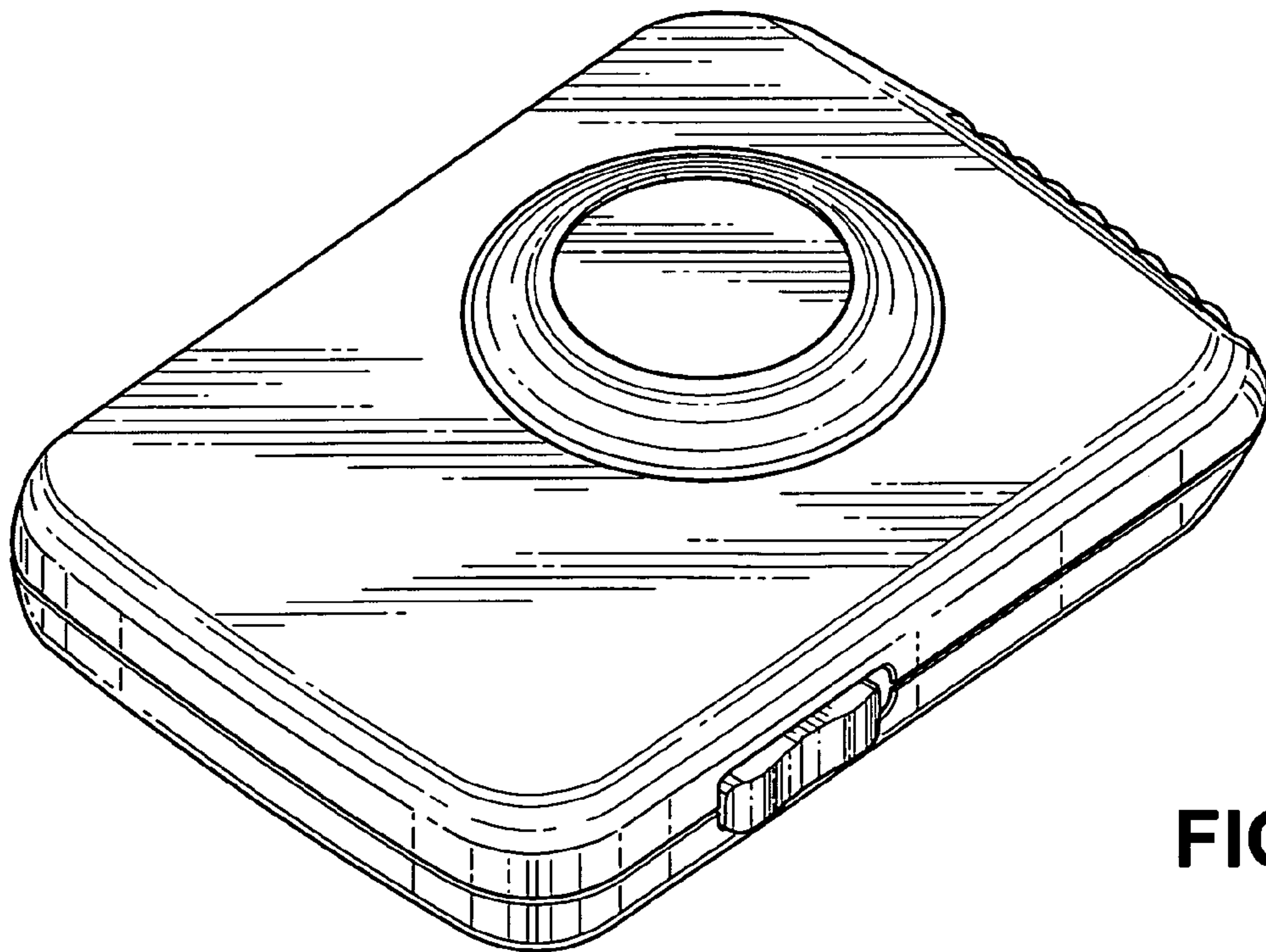


FIG. 2

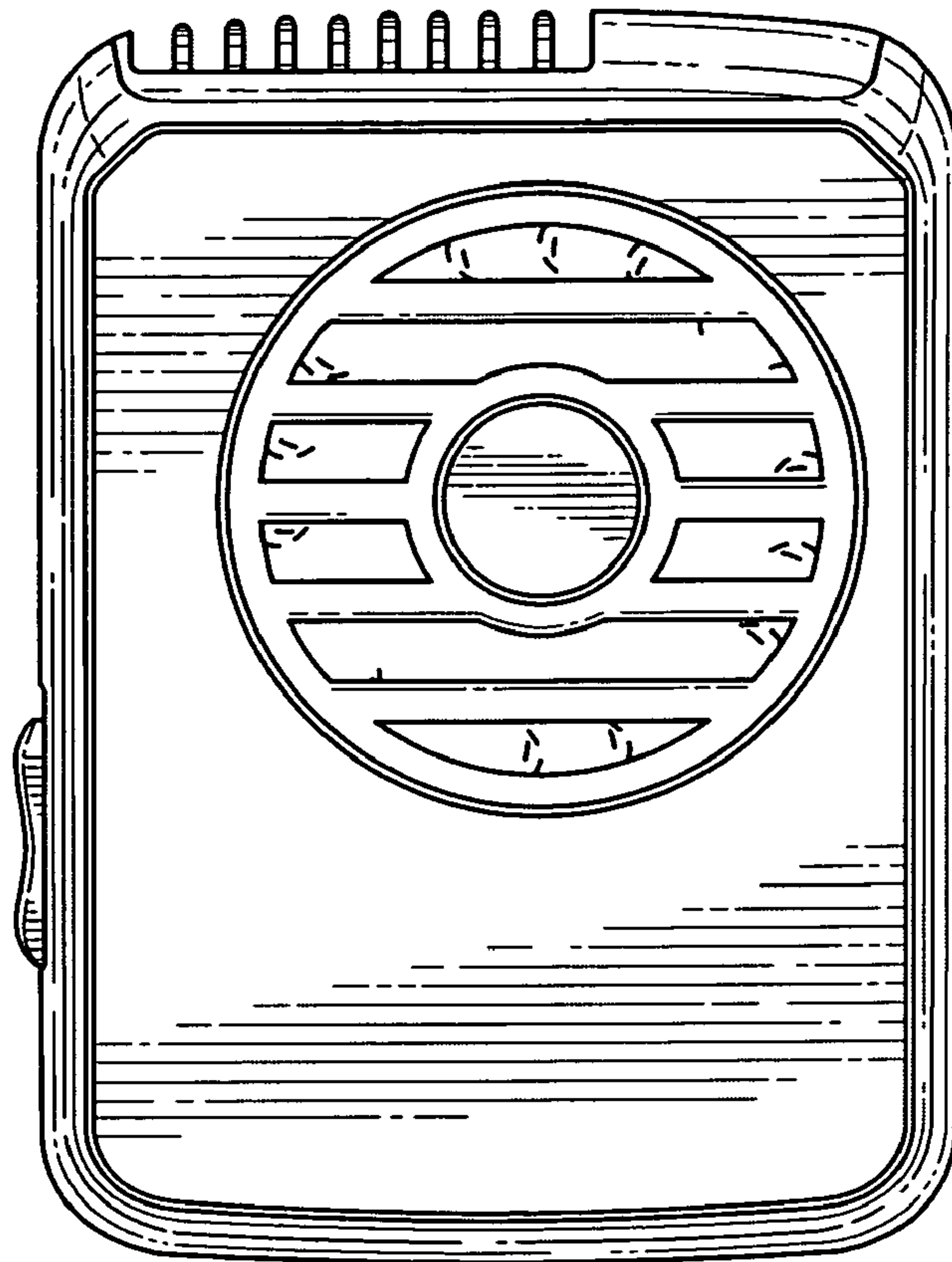


FIG. 3

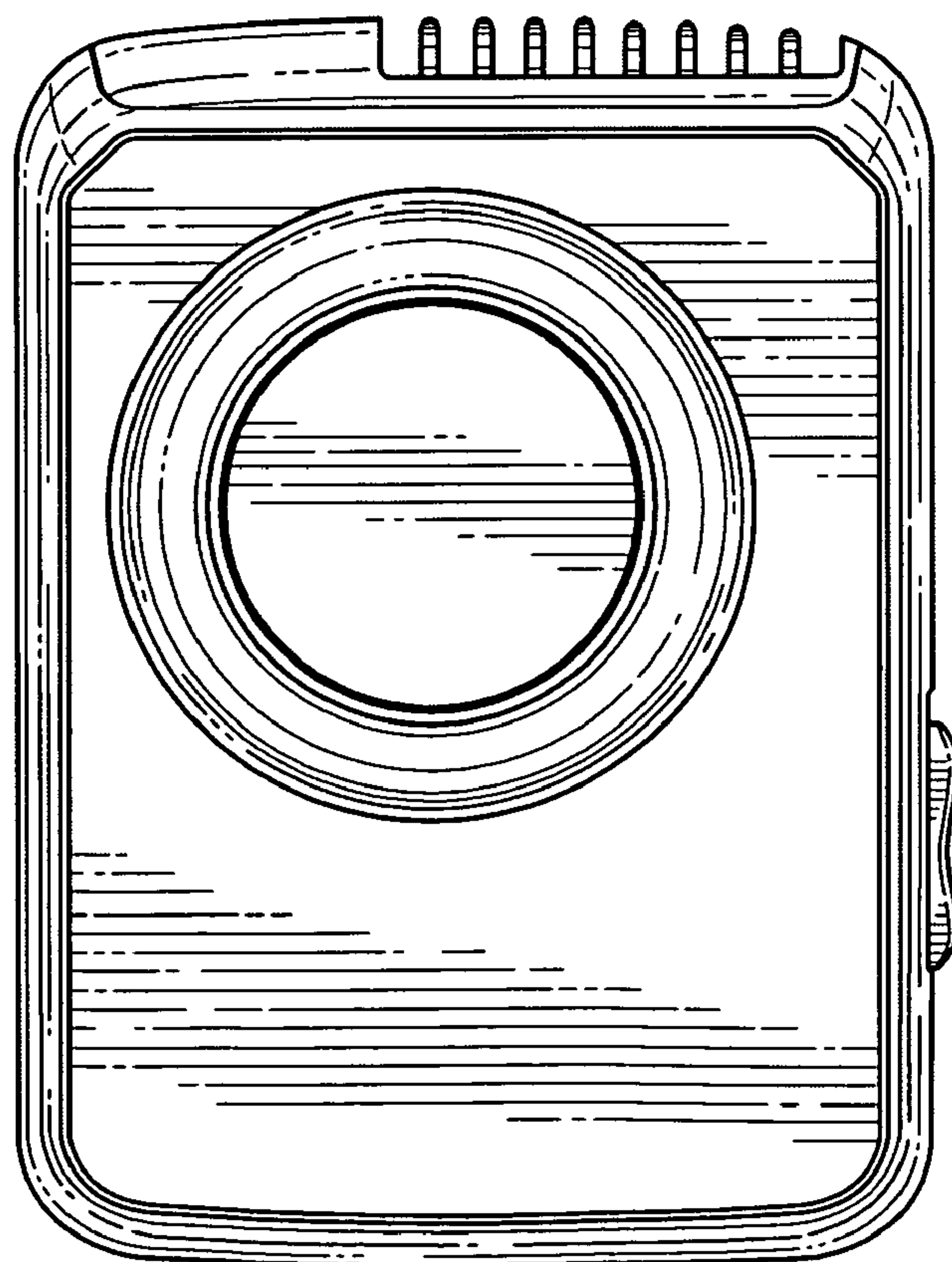


FIG. 4

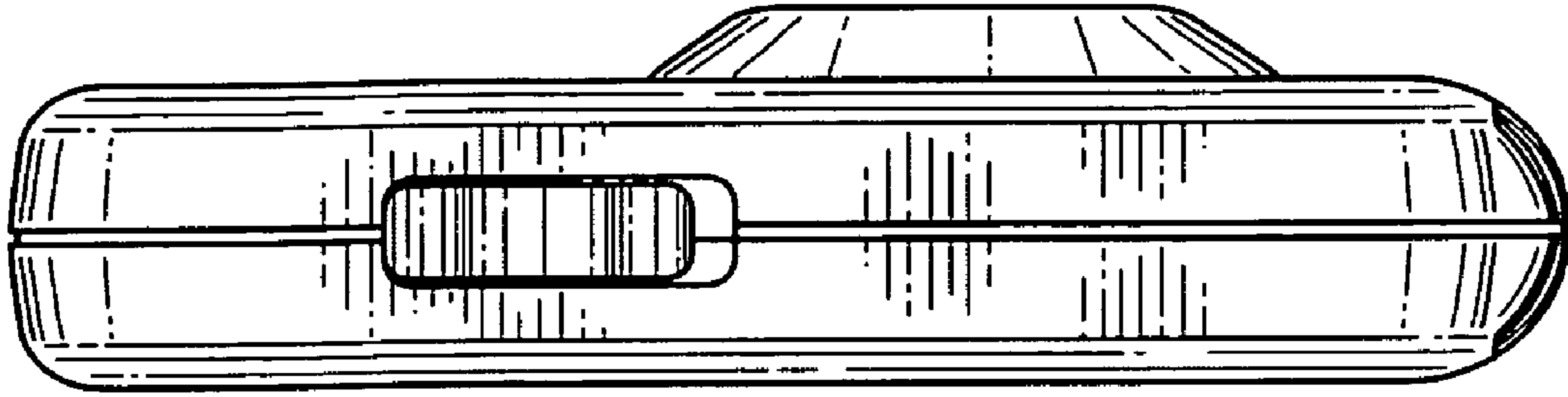


FIG. 5

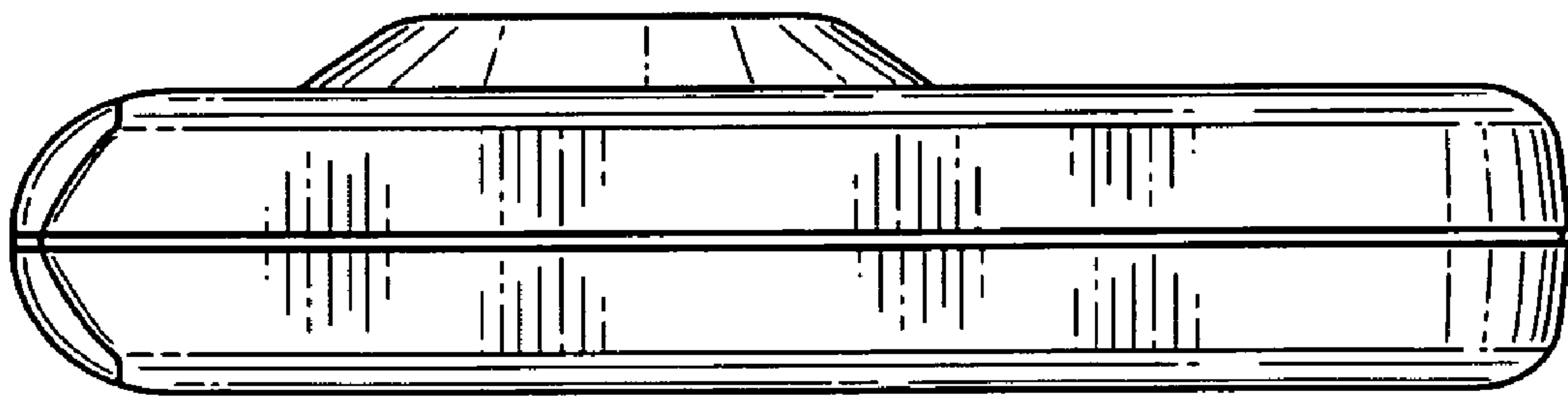


FIG. 6

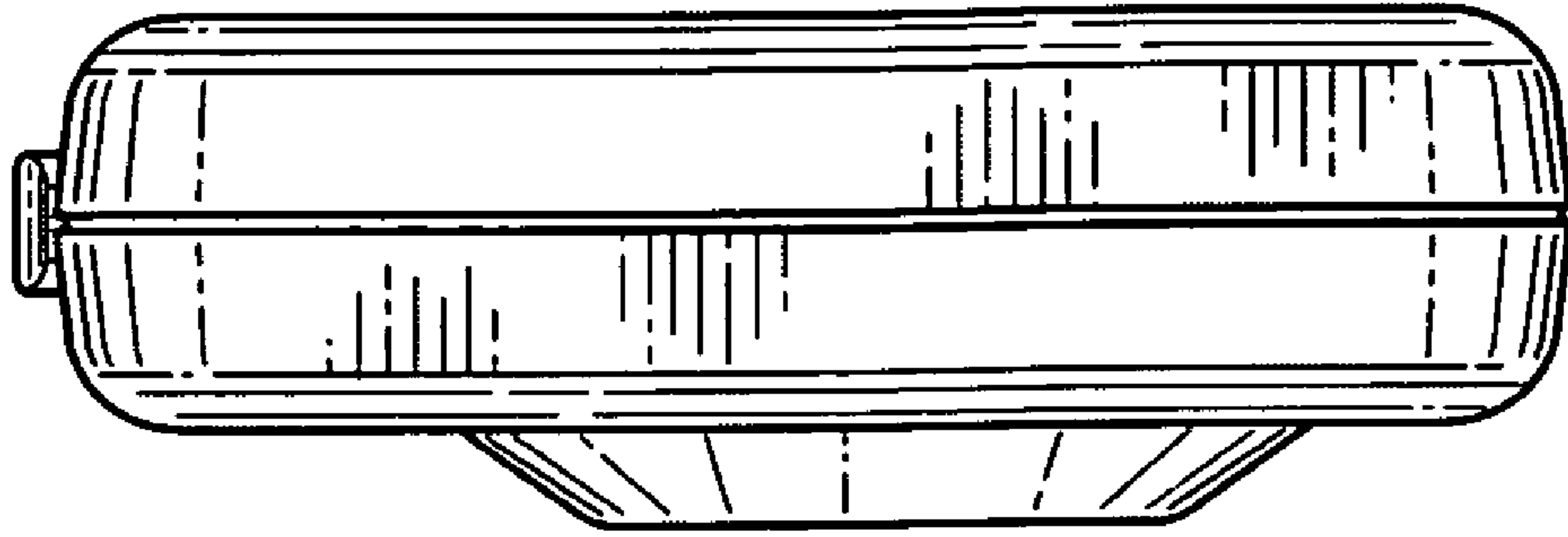


FIG. 7

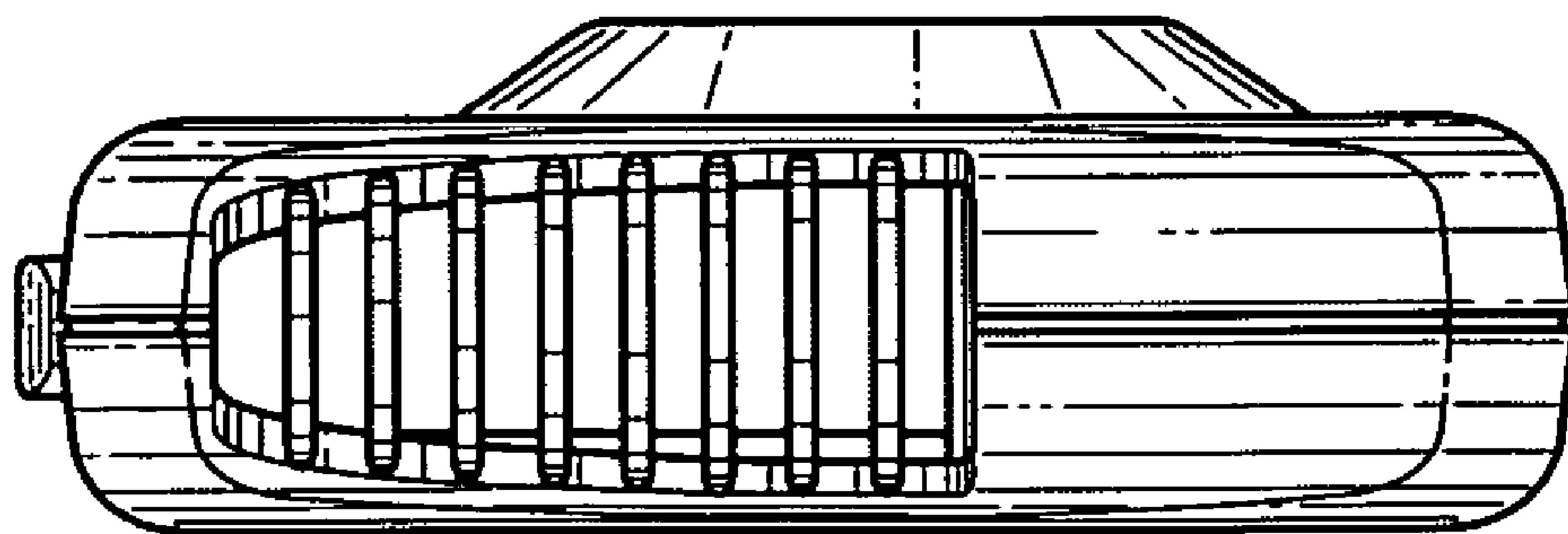


FIG. 8