



US00D671627S

(12) **United States Design Patent**  
**Gallo et al.**

(10) **Patent No.:** **US D671,627 S**  
(45) **Date of Patent:** **\*\* Nov. 27, 2012**

(54) **DISPLAY ASSEMBLY**

(75) Inventors: **Christopher J. Gallo**, North Canton, OH (US); **David M. Baker**, Louisville, OH (US)

(73) Assignee: **Heat Surge, LLC**, Canton, OH (US)

(\*\*) Term: **14 Years**

(21) Appl. No.: **29/366,239**

(22) Filed: **Jul. 22, 2010**

**Related U.S. Application Data**

(62) Division of application No. 29/338,220, filed on Jun. 8, 2009, now Pat. No. Des. 624,638.

(51) **LOC (9) Cl.** ..... **23-03**

(52) **U.S. Cl.** ..... **D23/343**

(58) **Field of Classification Search** ..... D23/317, D23/314, 332, 333, 334, 335, 337, 342, 351, D23/355, 378, 370, 381, 364, 336, 341, 343, D23/344, 348; 416/244 R, 247 R, 53.1-53.3; 392/365, 367; D6/450, 397, 396, 406.6, D6/627, 436, 437, 438, 439, 470, 471  
See application file for complete search history.

(56) **References Cited**

**U.S. PATENT DOCUMENTS**

5,887,388	A	3/1999	Hempel et al.	
D412,252	S *	7/1999	Zaidman	D6/436
D423,810	S	5/2000	Dorst	
D431,646	S	10/2000	Mattarelli	
D509,581	S	9/2005	Rumens	
6,953,037	B2	10/2005	Rumens	
D574,474	S	8/2008	Carroll et al.	
D574,939	S	8/2008	Carroll et al.	
2007/0221204	A1 *	9/2007	Hussong et al.	126/500
2010/0307477	A1 *	12/2010	Gallo et al.	126/500

**OTHER PUBLICATIONS**

[http://www.samsclub.com/shopping/navigate.do?dest=5&item=386283&pid=\\_Froogle&ci...](http://www.samsclub.com/shopping/navigate.do?dest=5&item=386283&pid=_Froogle&ci...); Sam's Club—Mantel Fireplace w/23" Electric Firebox—Cherry, 2 pages. Document is undated but the document was printed from the pertinent website on Apr. 28, 2009.

<http://www.electricfireplacesdirect.com>, Electric Fireplaces at Electric Fireplaces Direct: Electric Fireplace Insert, Corner Electric . . . , 1 page. Document is undated but the document was printed from the pertinent website on Apr. 28, 2009.

(Continued)

*Primary Examiner* — T. Chase Nelson

*Assistant Examiner* — Ania Aman

(74) *Attorney, Agent, or Firm* — Sand & Sebolt

(57) **CLAIM**

The ornamental design for a display assembly, as shown and described.

**DESCRIPTION**

FIG. 1 is a perspective view of a display assembly in accordance with the present invention and showing, in broken lines, a portable fireplace retained in the center cavity for illustrative purposes only and therefore forming no part of the claimed design;

FIG. 2 is a front elevation view of the display assembly of FIG. 1;

FIG. 3 is a rear elevation view of the display assembly of FIG. 1;

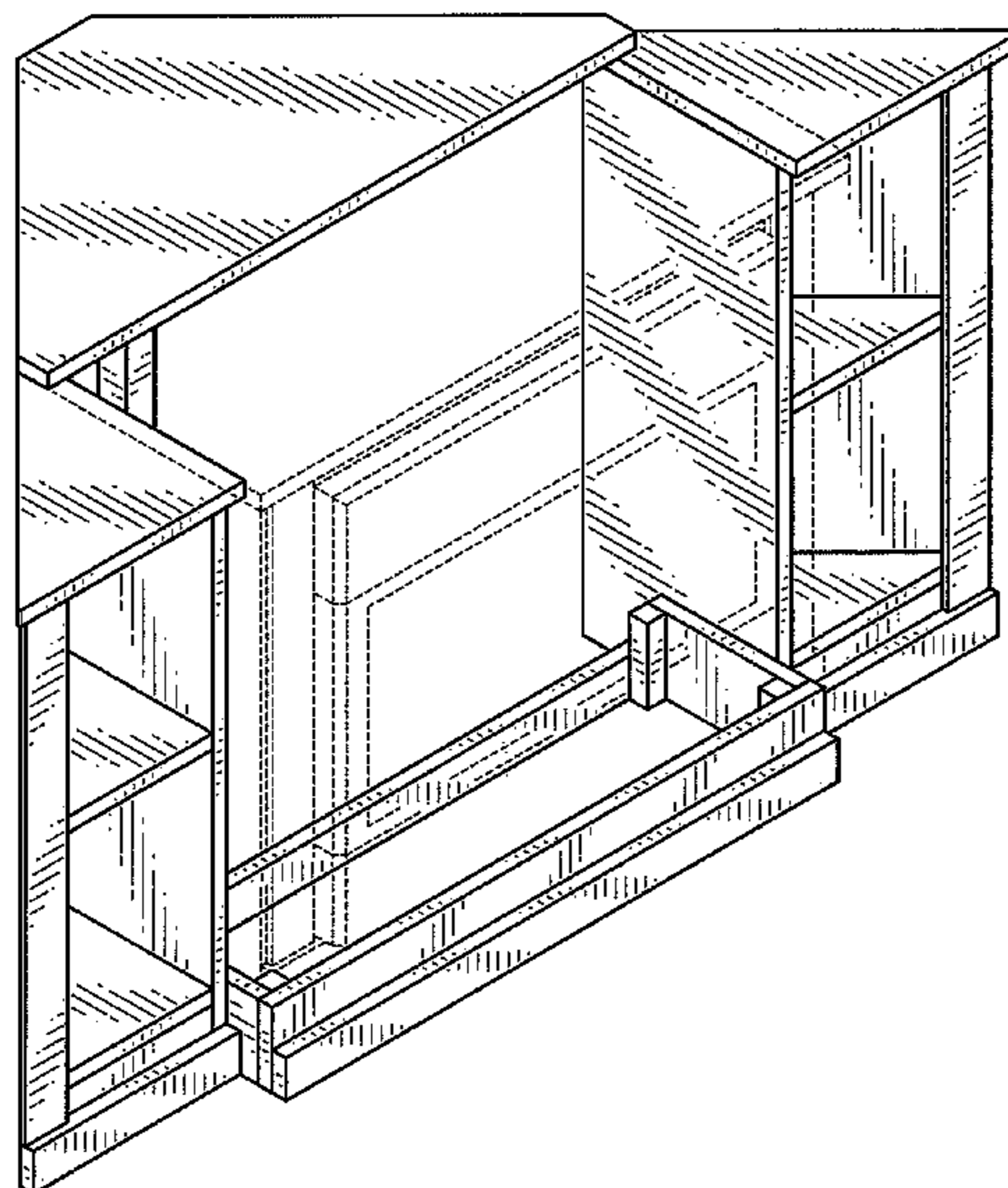
FIG. 4 is a top plan view of the display assembly of FIG. 1;

FIG. 5 is a bottom plan view of the display assembly of FIG. 1;

FIG. 6 is a right elevation view of the display assembly of FIG. 1; and,

FIG. 7 is a left elevation view of the display assembly of FIG. 1.

**1 Claim, 6 Drawing Sheets**



OTHER PUBLICATIONS

<http://www.everythingfurniture.com/classic-electric-fireplace-8.html>, Home Theater Electric Fireplace by Classic Flame in Espresso—Anaheim—23MM705ESP-0451, 3 pages. Document is undated but the document was printed from the pertinent website on Apr. 28, 2009.

Heat & Glo Literature, Crestfire Electric Series Inserts and Fireplaces, 8 pages. Document is undated but it is believed the document is older than Apr. 28, 2009.

\* cited by examiner

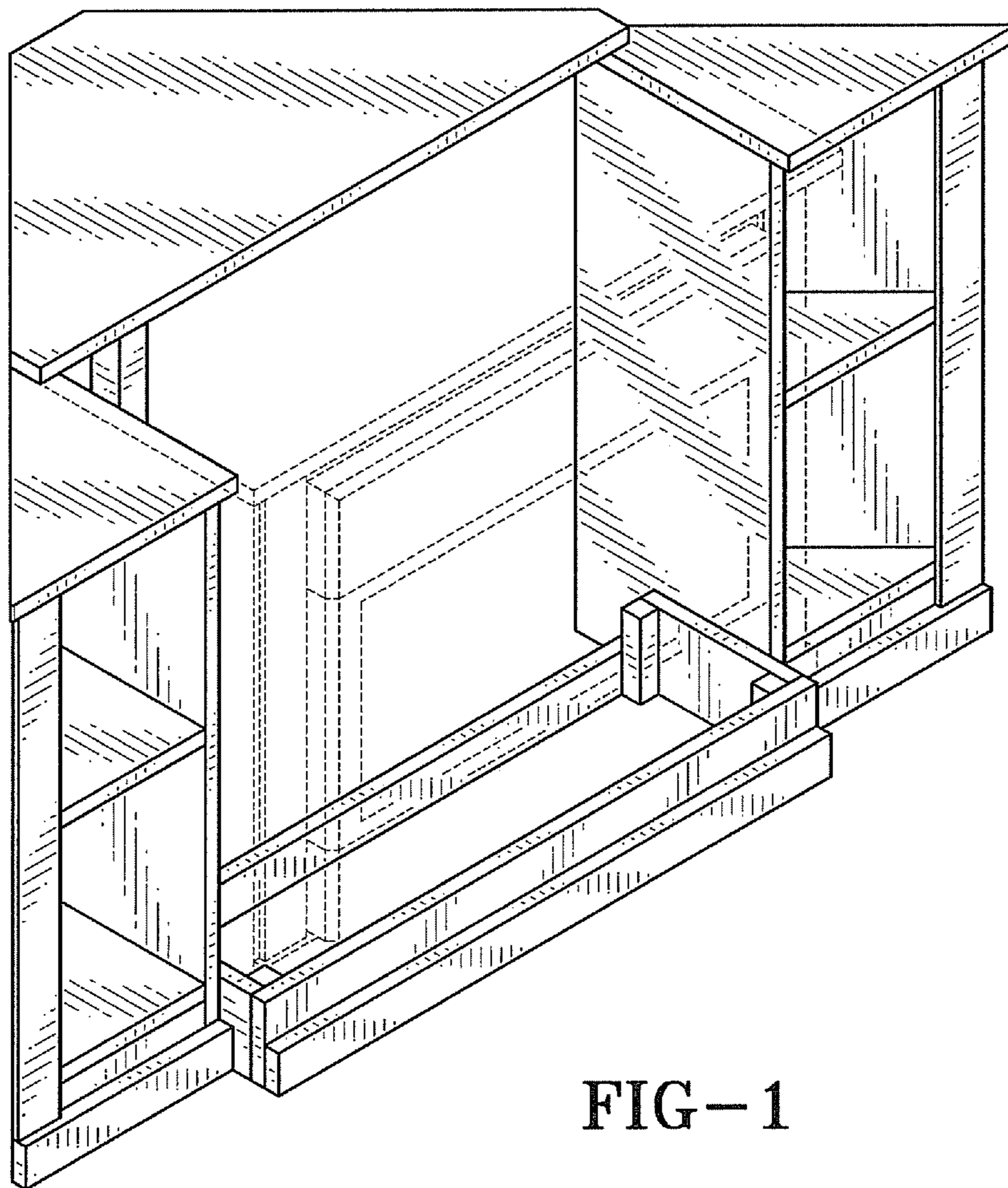


FIG-1

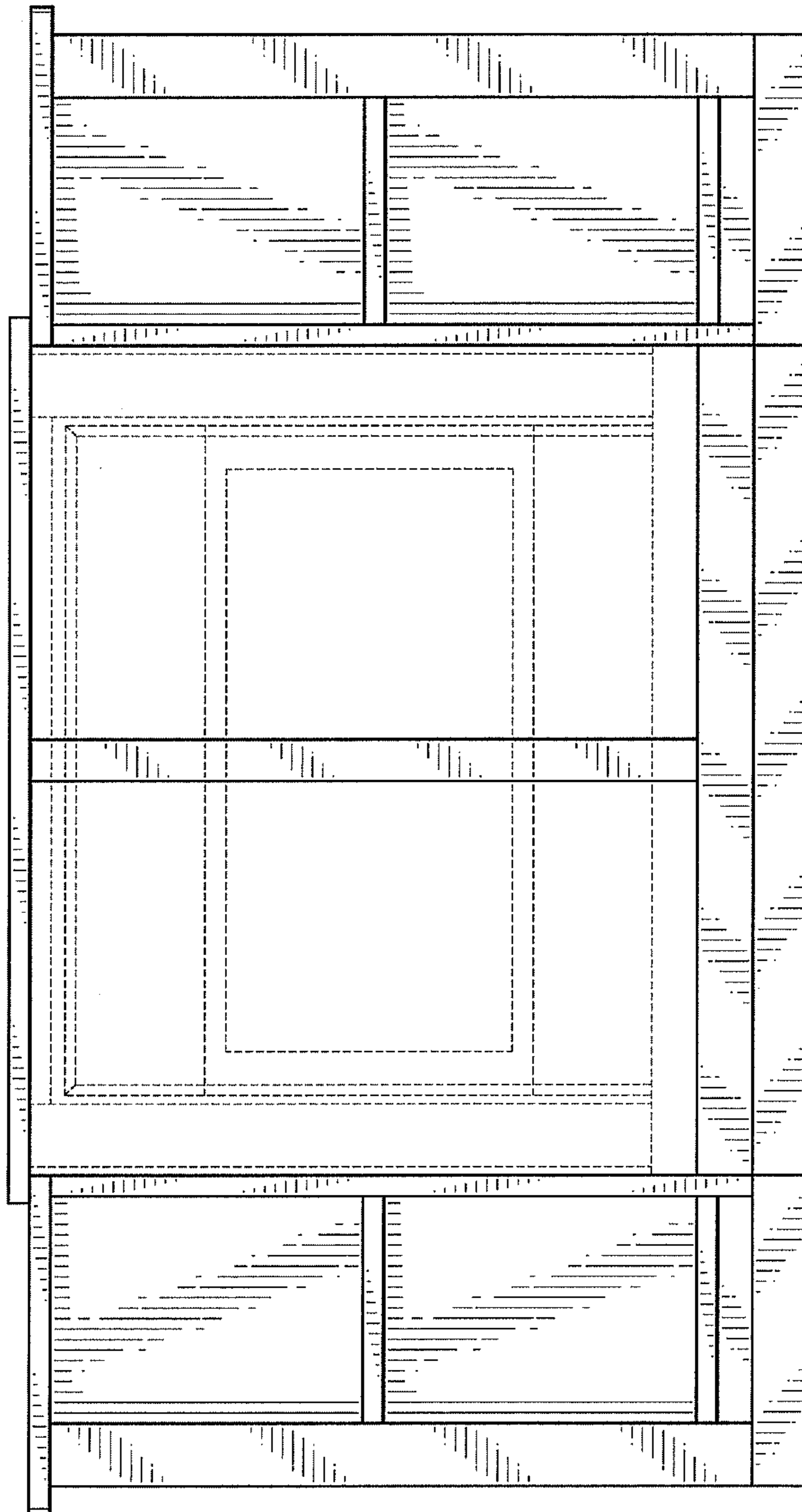


FIG-2

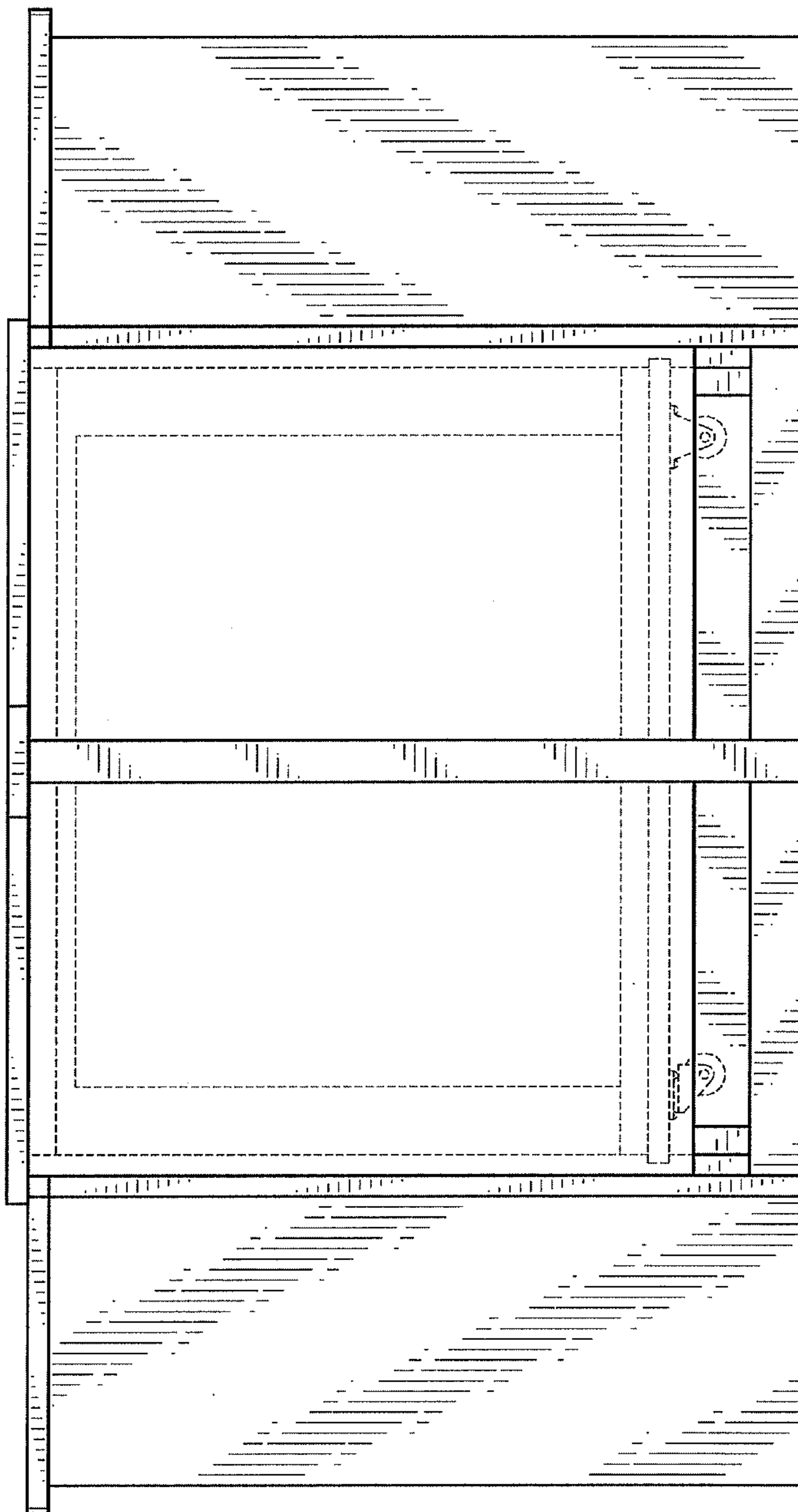


FIG-3

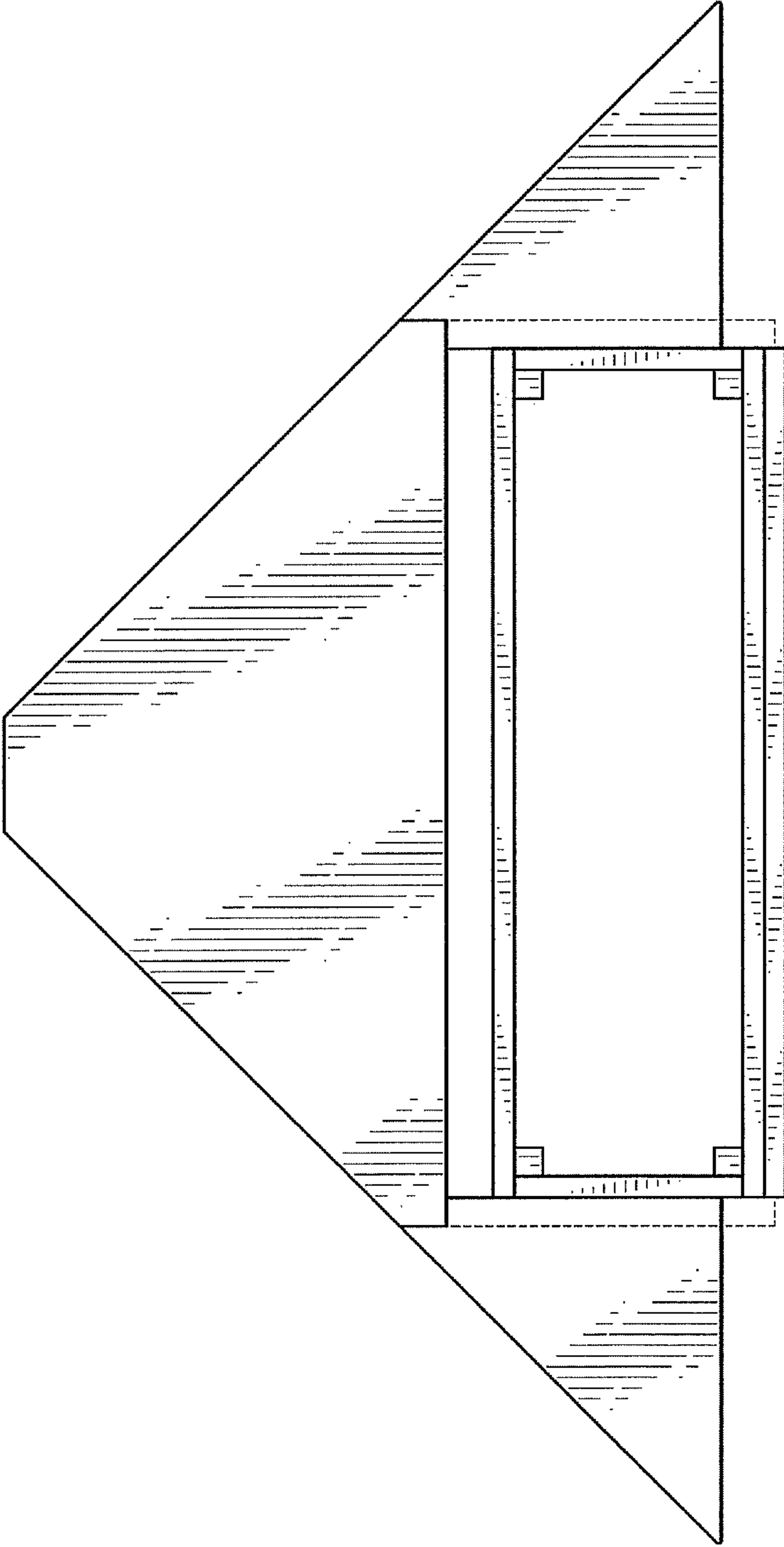


FIG-4

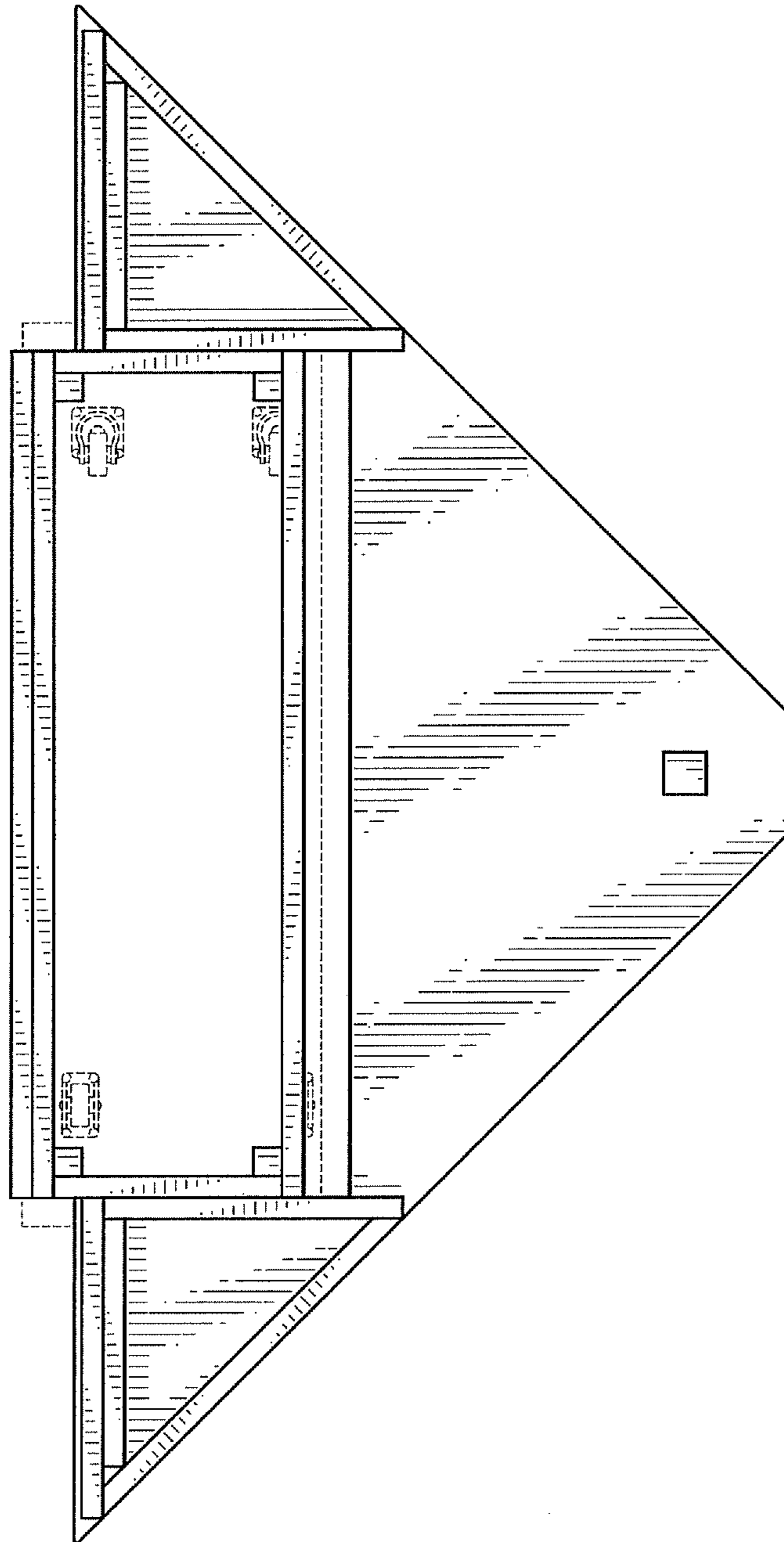


FIG-5

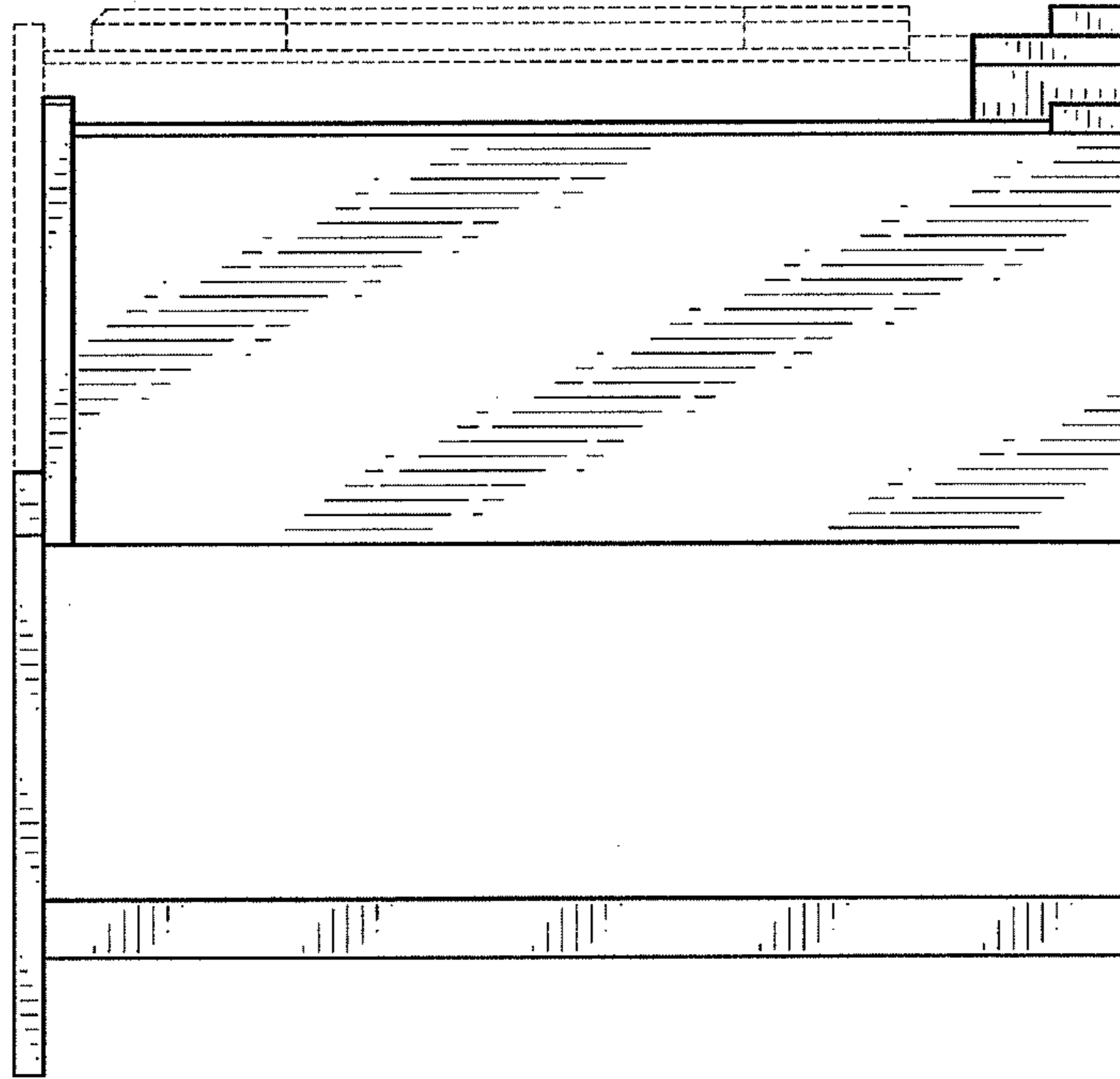


FIG-7

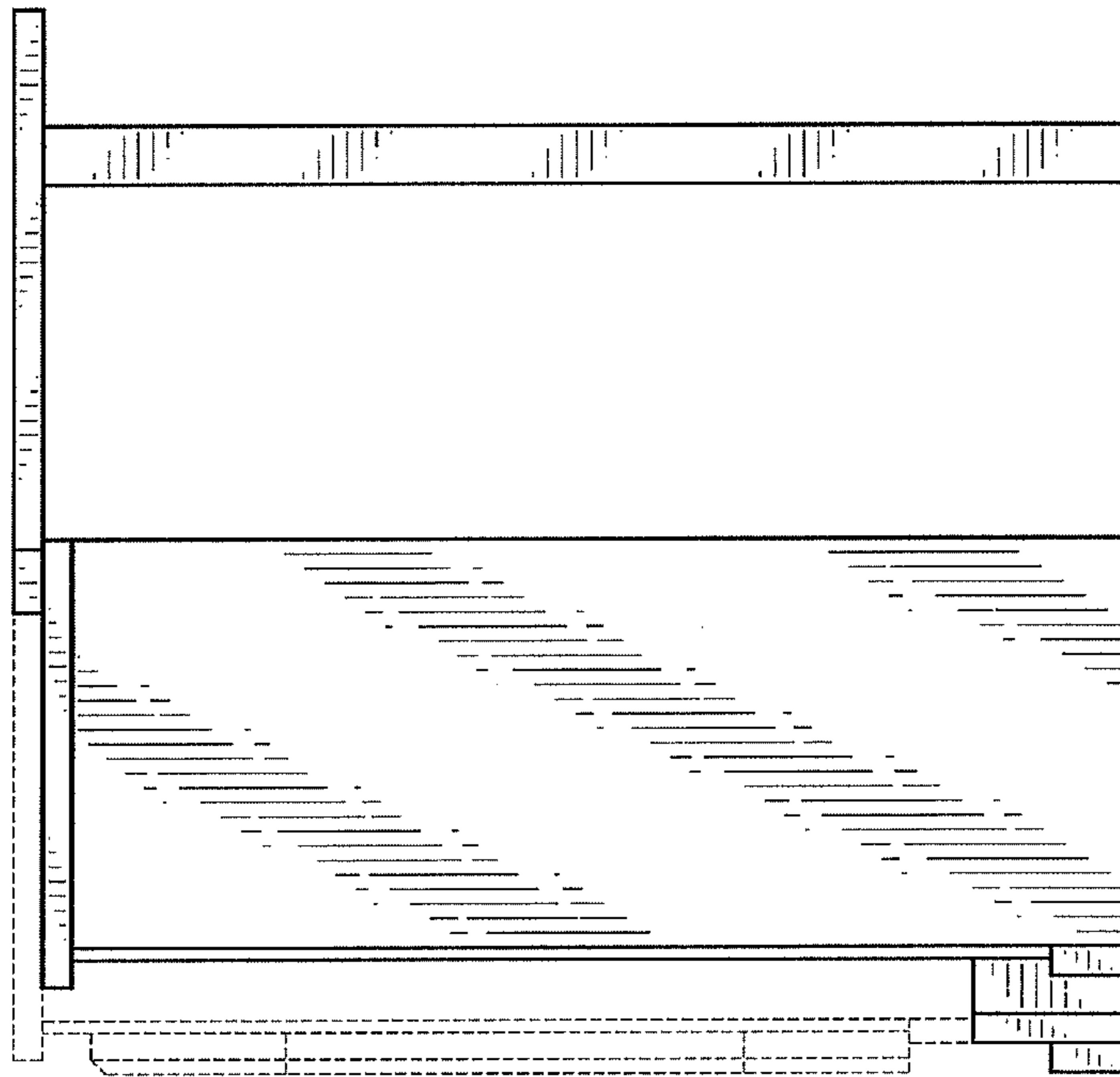


FIG-6