



US00D671626S

(12) **United States Design Patent**  
**Bausmith, III**

(10) **Patent No.:** **US D671,626 S**

(45) **Date of Patent:** **\*\* Nov. 27, 2012**

(54) **WATER HEATER PIPE COVER**

(76) Inventor: **William Emerson Bausmith, III**,  
Terrace Park, OH (US)

(\*\*) Term: **14 Years**

(21) Appl. No.: **29/395,678**

(22) Filed: **Mar. 12, 2012**

(51) **LOC (9) Cl.** ..... **23-03**

(52) **U.S. Cl.** ..... **D23/322**

(58) **Field of Classification Search** ..... D23/386,  
D23/266, 322, 318, 319, 320, 321; 126/361,  
126/35 R; 122/13.2, 14, 15, 19.2; 392/449,  
392/451, 454

See application file for complete search history.

(56) **References Cited**

**U.S. PATENT DOCUMENTS**

2,780,896 A *	2/1957	Jaye	83/183
D381,406 S *	7/1997	Brown	D23/266
D436,399 S *	1/2001	Poland	D23/386

\* cited by examiner

*Primary Examiner* — T. Chase Nelson

*Assistant Examiner* — Ania Aman

(74) *Attorney, Agent, or Firm* — Neal O. Willmann

(57) **CLAIM**

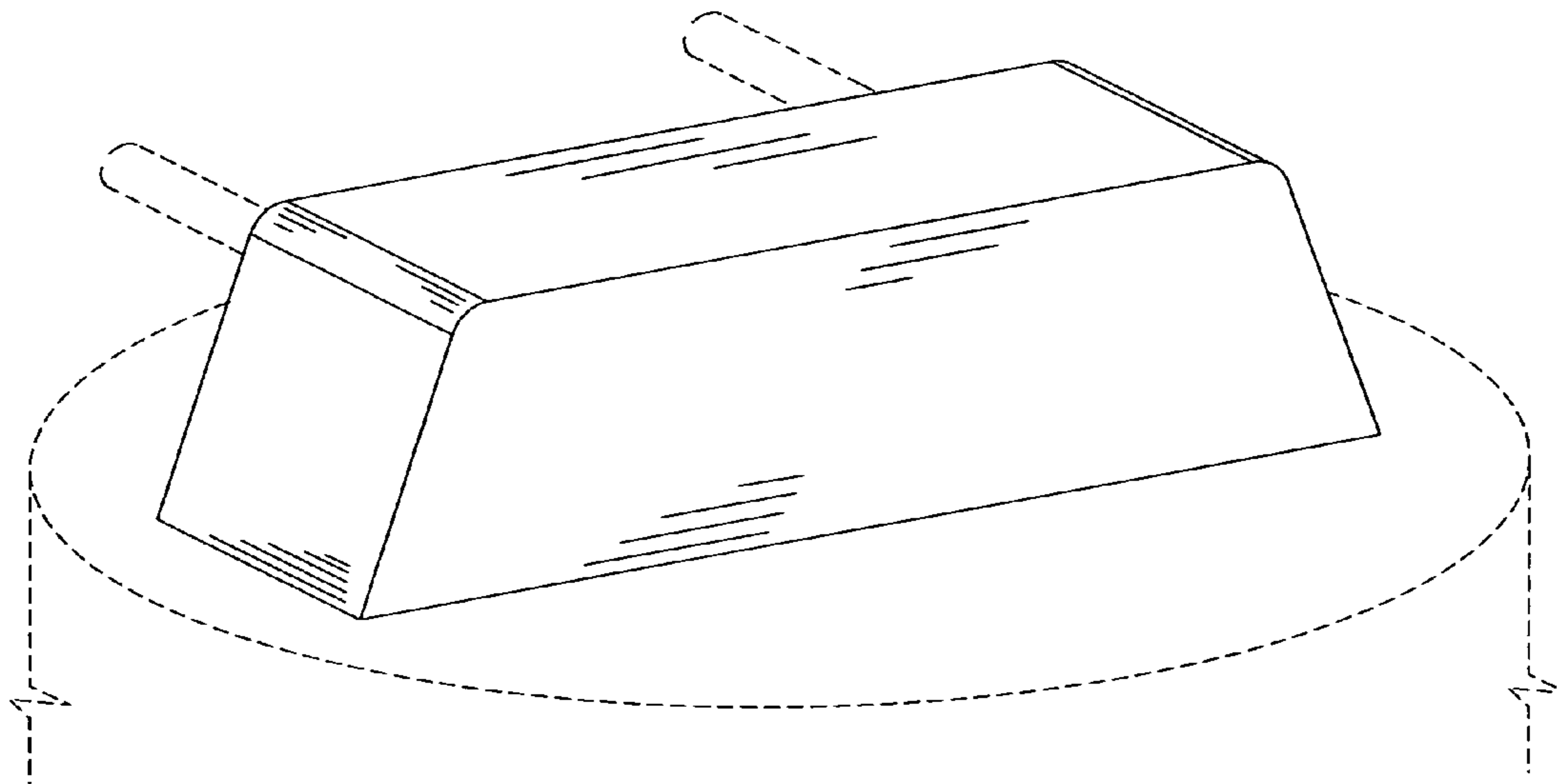
The ornamental design for the water heater pipe cover, as shown and described.

**DESCRIPTION**

FIG. 1 is an elevated perspective front view of a water heater pipe cover showing my new design; FIG. 2 is a front elevation view thereof; FIG. 3 is a right side elevation view thereof, the left side view being identical; FIG. 4 is a back side elevated perspective view thereof; FIG. 5 is a top plan thereof; FIG. 6 is a back elevation view thereof; FIG. 7 is a bottom plan view thereof; and, FIG. 8 is a bottom perspective view with the cover rotated for illustration.

The water heater and pipes shown in broken line are shown for illustrative purposes only and form no part of the claimed design.

**1 Claim, 3 Drawing Sheets**



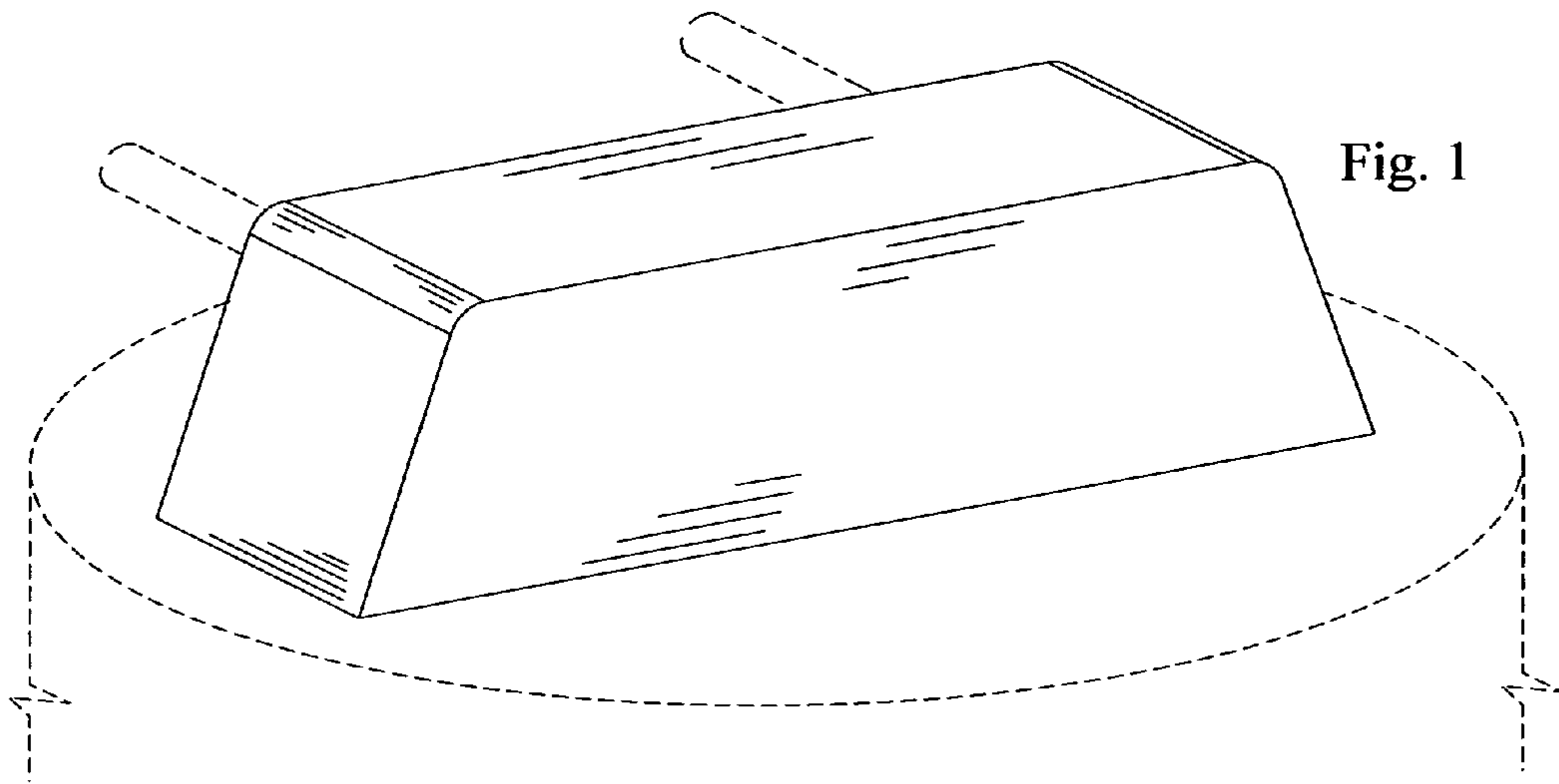


Fig. 1



Fig. 2

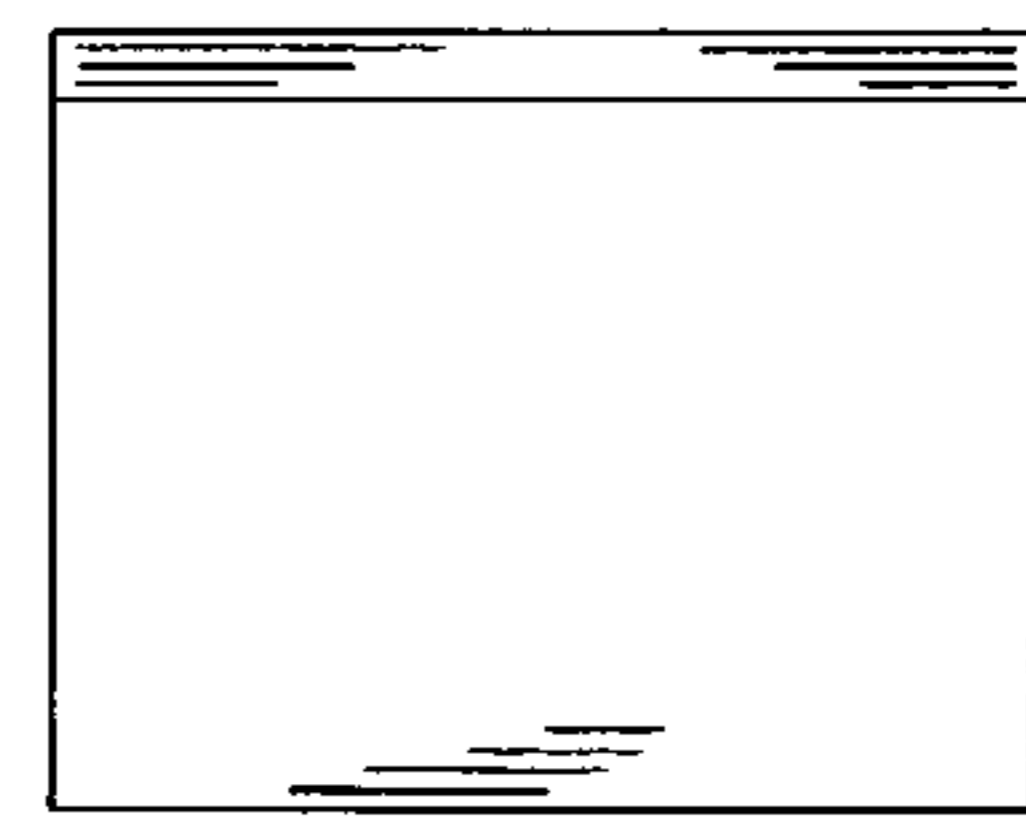


Fig. 3

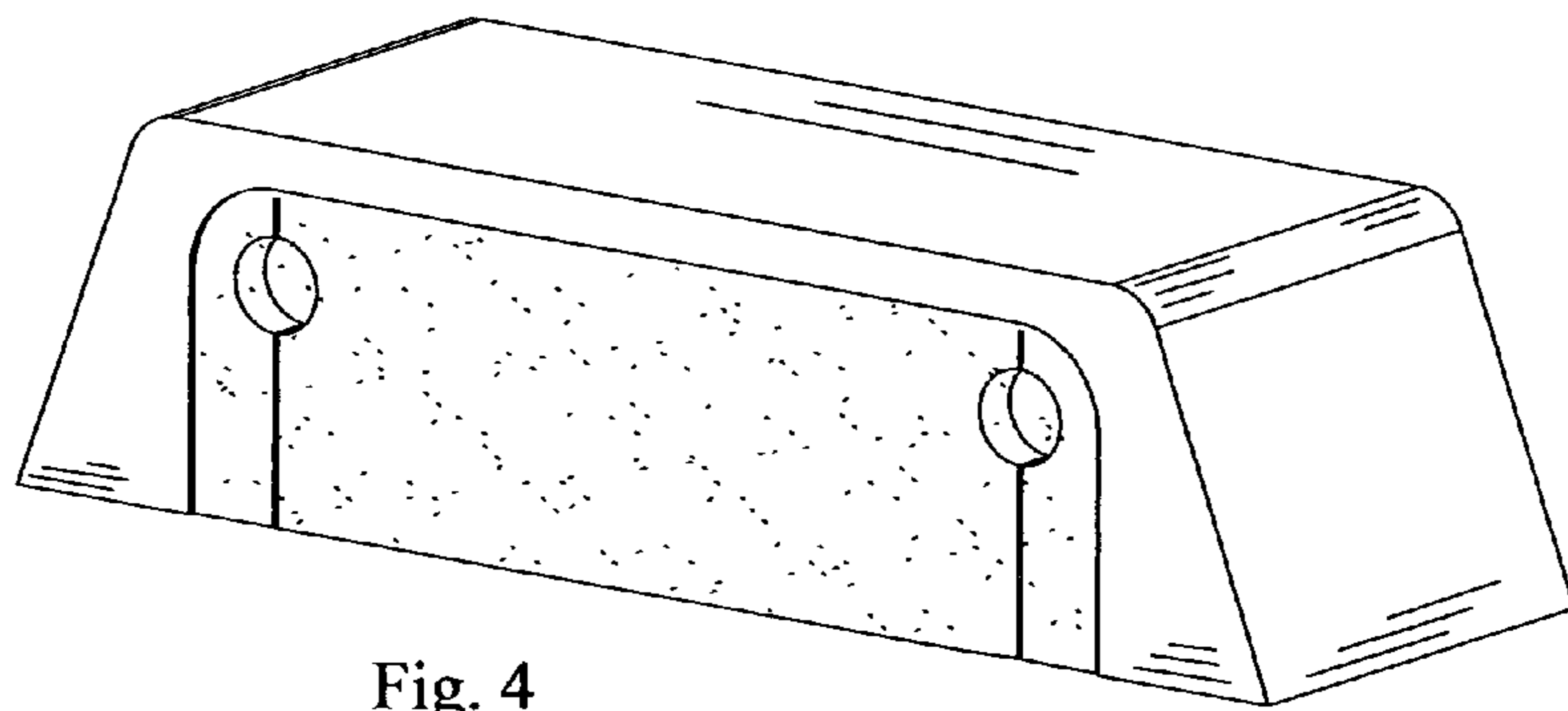


Fig. 4

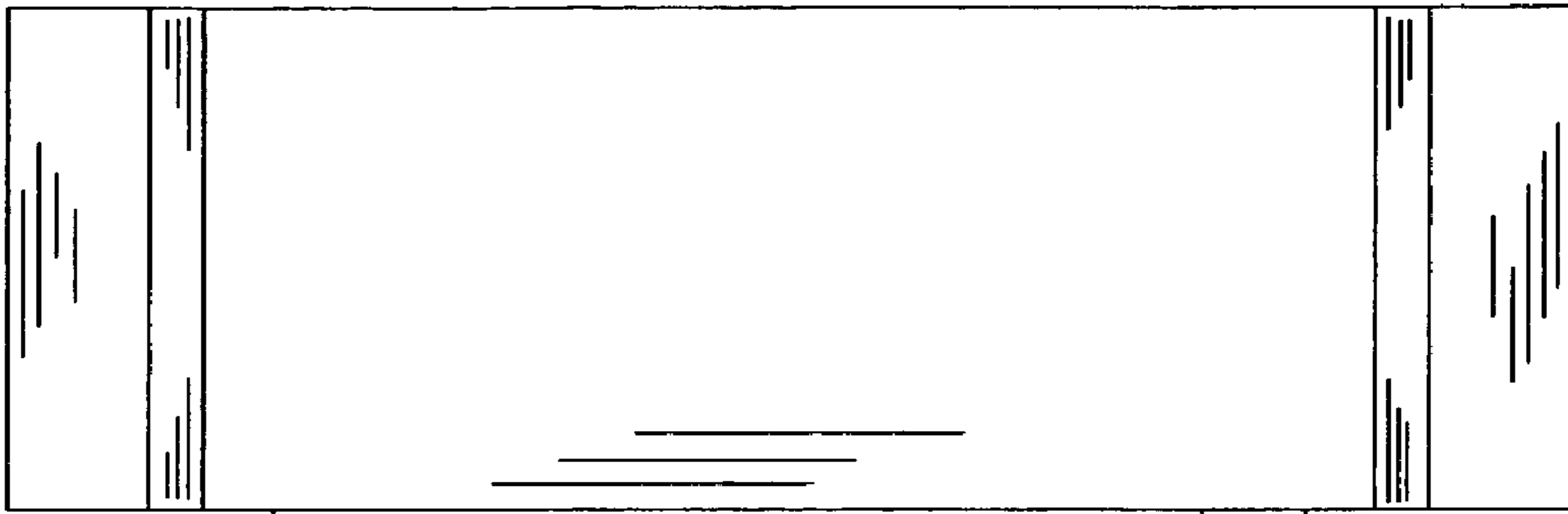


Fig. 5

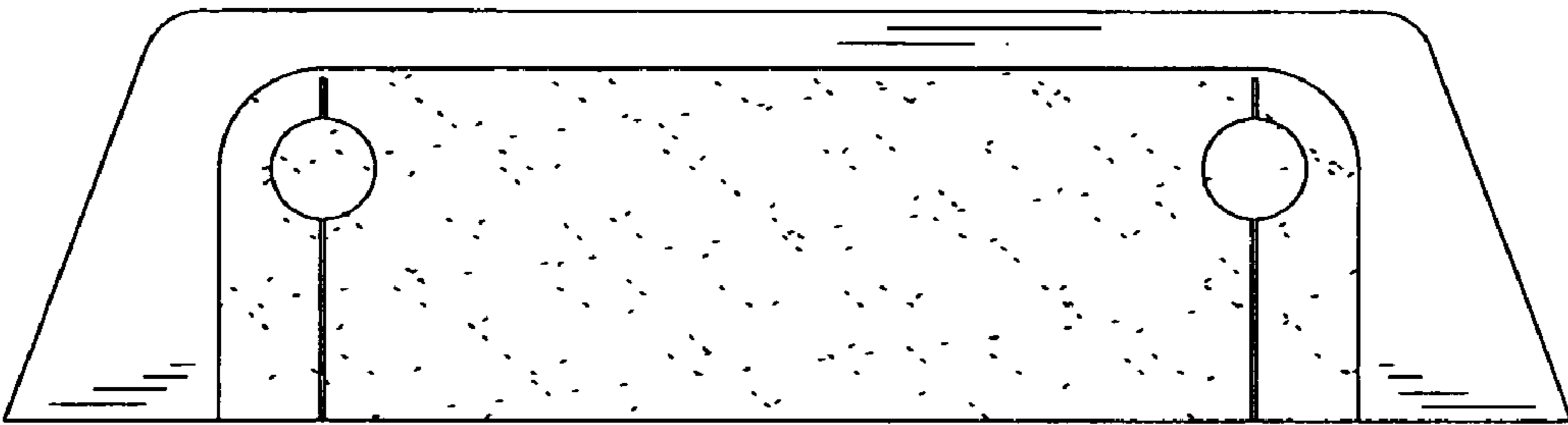


Fig. 6

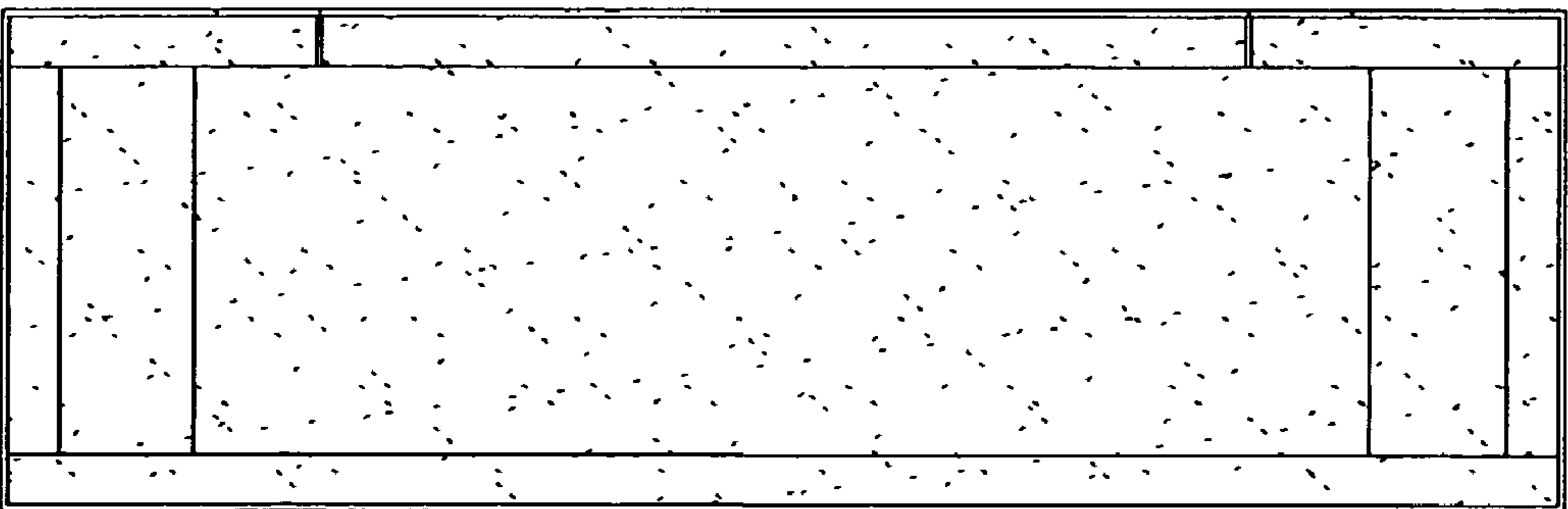


Fig. 7

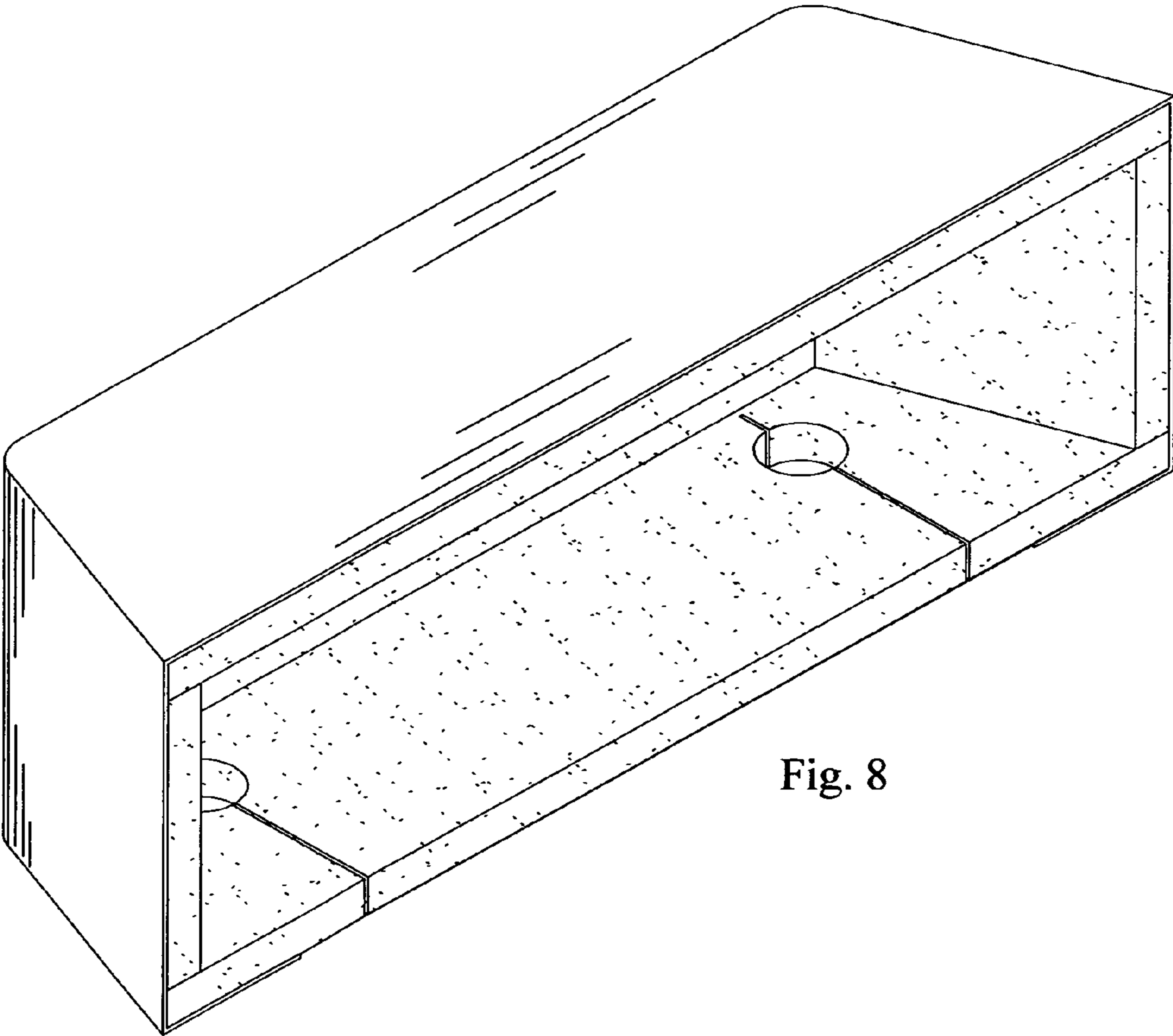


Fig. 8