



US00D671625S

(12) **United States Design Patent**
Karmano

(10) **Patent No.:** **US D671,625 S**

(45) **Date of Patent:** **** Nov. 27, 2012**

(54) **PORTABLE TOILET FOR CHILD**

Primary Examiner — Robert Delehanty

(76) Inventor: **Sugiyarto Karmano**, Philadelphia, PA
(US)

(57) **CLAIM**

I claim the ornamental design for a portable toilet for child, as shown and described.

(**) Term: **14 Years**

(21) Appl. No.: **29/396,544**

DESCRIPTION

(22) Filed: **Jun. 30, 2011**

(51) **LOC (9) Cl.** **23-02**

(52) **U.S. Cl.** **D23/296**

(58) **Field of Classification Search** D23/296,
D23/303, 309; 4/902

See application file for complete search history.

FIG. 1 is a collapsed view of a portable toilet for a child; and FIG. 2 is a partially exposed view of a portable toilet for a child showing the disposable bag for disposing of human waste or the washable container for waste disposal home use; and

FIG. 3 is a left side view of a portable toilet for a child with the disposable bag for disposing of human waste in place in the portable toilet; and,

FIG. 4 is an image of the portable toilet for a child in use by a child.

The broken line showing environment is included for the purpose of illustrating a portion of the toilet that forms no part of the claimed design.

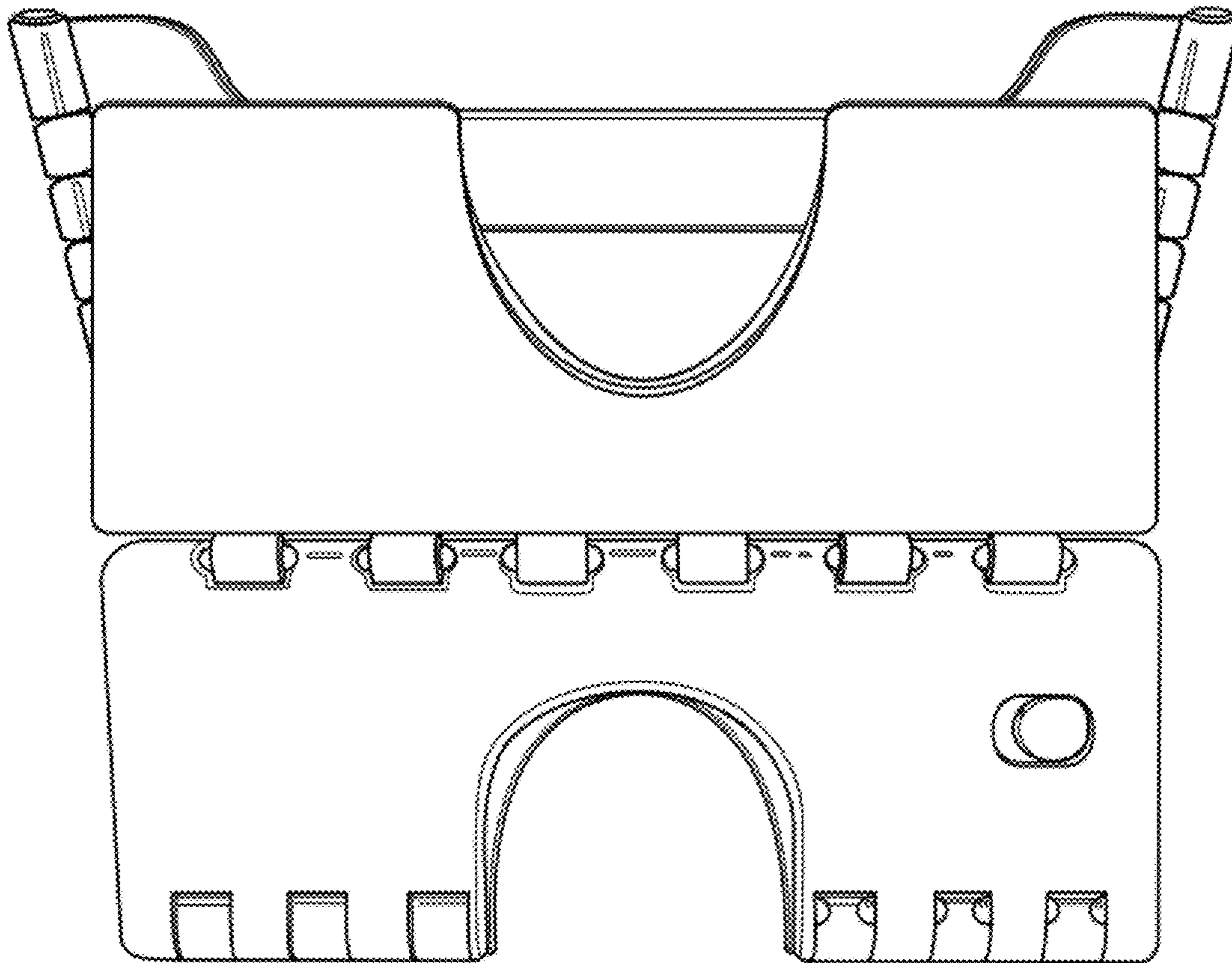
(56) **References Cited**

U.S. PATENT DOCUMENTS

137,319	A *	4/1873	Panyard	4/465
3,078,470	A *	2/1963	Rosenfeld	4/484
D620,089	S *	7/2010	Elliot et al.	D23/299
D637,272	S *	5/2011	Du	D23/299

* cited by examiner

1 Claim, 4 Drawing Sheets



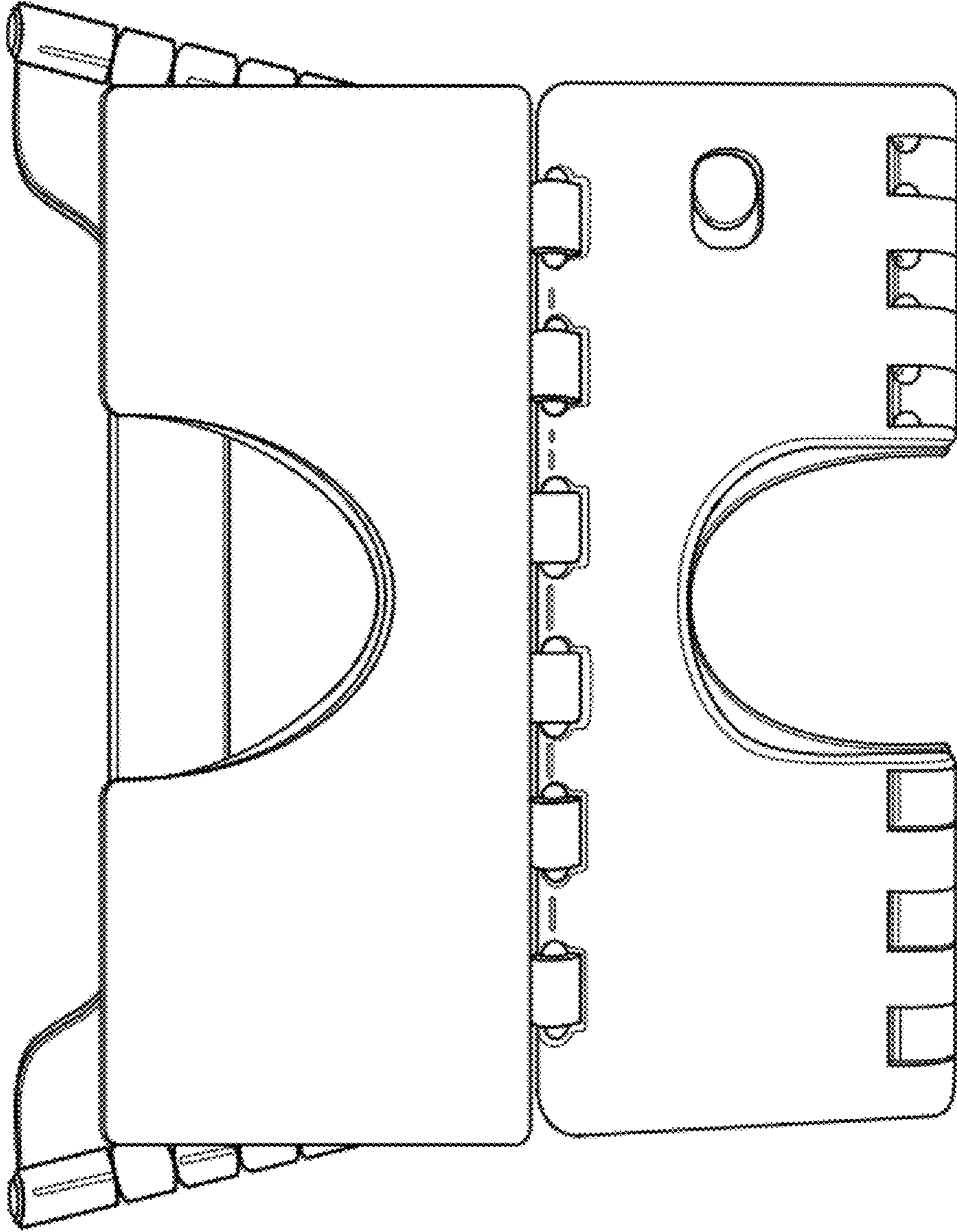


FIG. 1

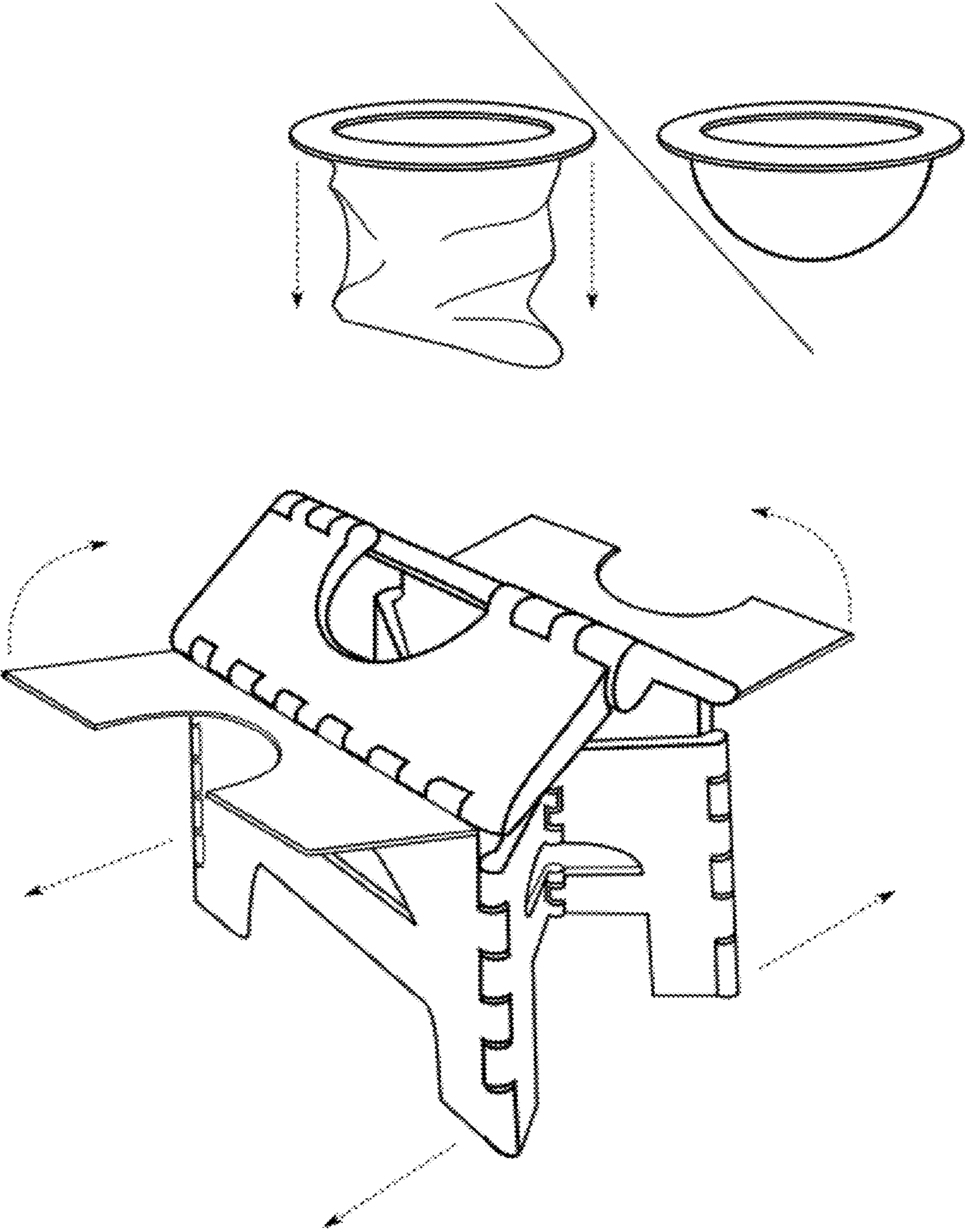


FIG. 2

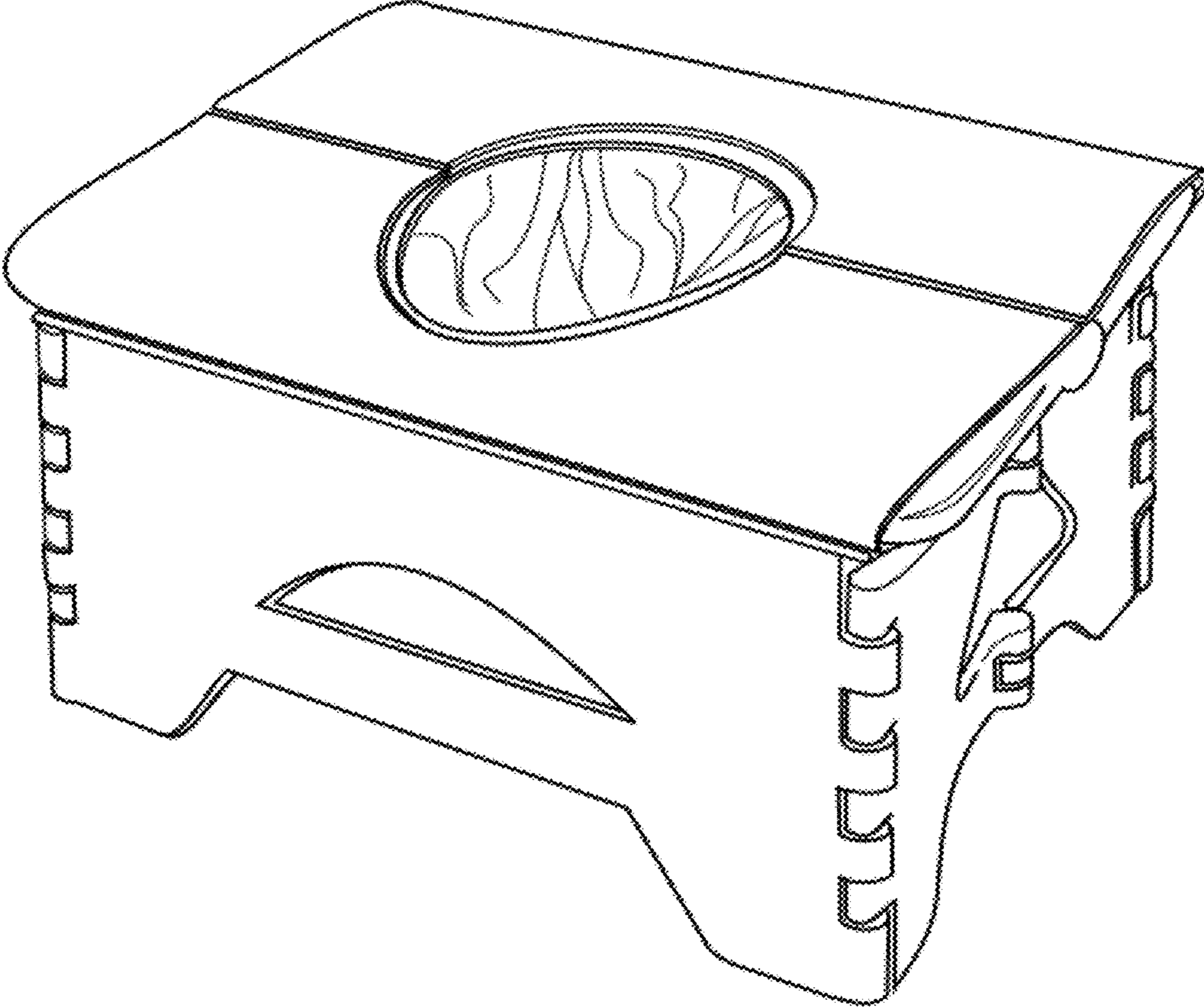


FIG. 3

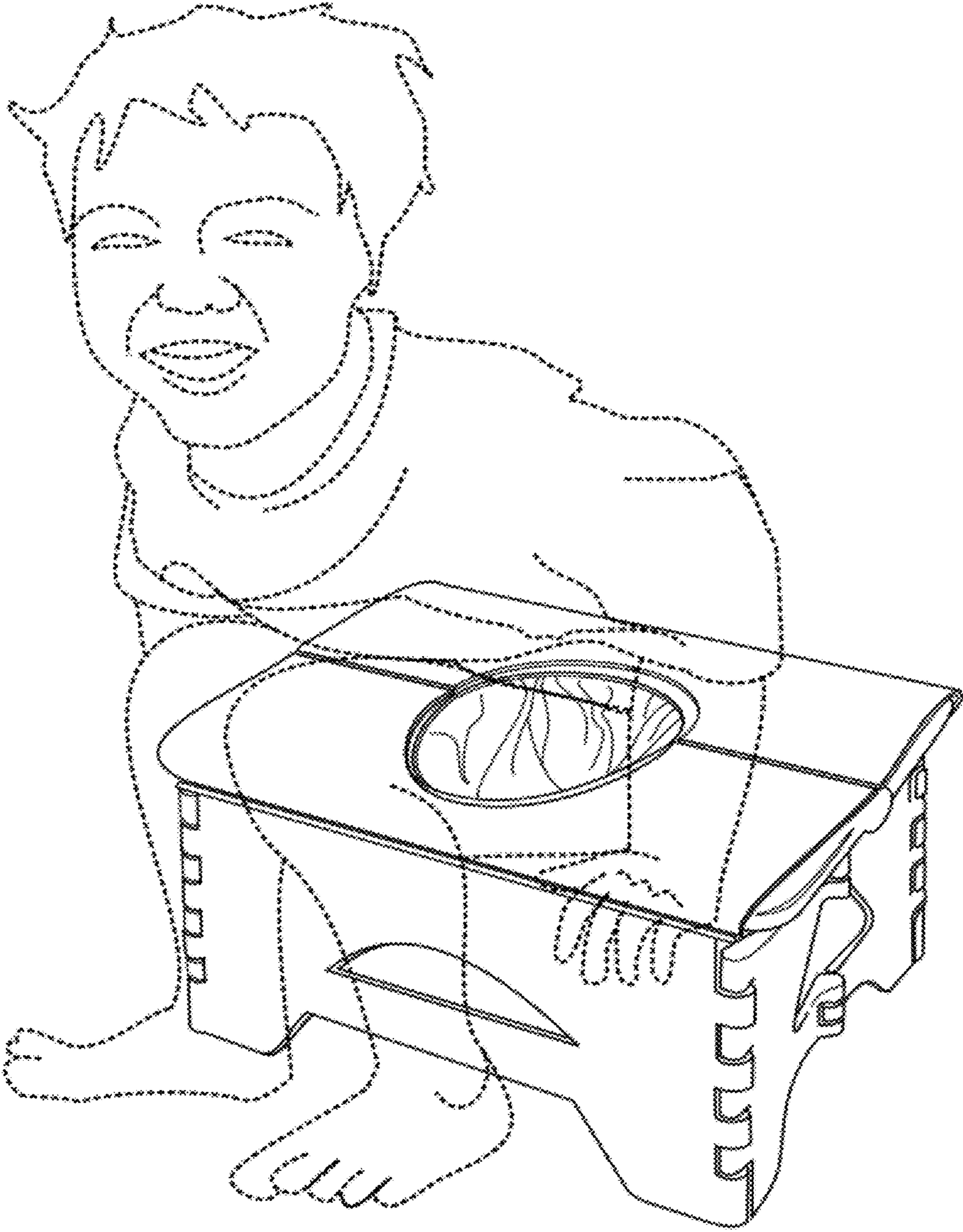


FIG. 4