



US00D671624S

(12) **United States Design Patent**
Harman et al.

(10) **Patent No.:** **US D671,624 S**

(45) **Date of Patent:** **** Nov. 27, 2012**

(54) **SINGLE BALL DOWNSPOUT JOINT**

(76) Inventors: **Jon P. Harman**, Louisville, CO (US);
Eric J. Harman, Boulder, CO (US)

(**) Term: **14 Years**

(21) Appl. No.: **29/387,258**

(22) Filed: **Mar. 10, 2011**

(51) **LOC (9) Cl.** **23-01**

(52) **U.S. Cl.** **D23/267**

(58) **Field of Classification Search** D23/267;
52/11-12, 16; 210/447

See application file for complete search history.

(56) **References Cited**

U.S. PATENT DOCUMENTS

3,076,669	A *	2/1963	Schlein	285/179
D260,422	S *	8/1981	Husted	D23/209
5,375,891	A *	12/1994	Sicotte et al.	285/148.22
5,511,829	A *	4/1996	Sicotte et al.	285/148.22
6,041,825	A *	3/2000	Smith et al.	138/109
6,612,075	B1 *	9/2003	Knoop et al.	52/16
2007/0046021	A1 *	3/2007	Crawford	285/226

* cited by examiner

Primary Examiner — Eric Goodman

(74) *Attorney, Agent, or Firm* — Patent Law Offices of Rick Martin, P.C.

(57) **CLAIM**

The ornamental design for a single ball downspout joint, as shown and described.

DESCRIPTION

FIG. 1 is a bottom perspective view of our new design for a single ball downspout joint;

FIG. 2 is a front elevation view of our new design for a single ball downspout joint, wherein a rear elevation view is identical;

FIG. 3 is a left side elevation view of our new design for a single ball downspout joint, wherein a right side elevation view is identical;

FIG. 4 is a bottom plan view of our new design for a single ball downspout joint;

FIG. 5 is a top plan view of our new design for a single ball downspout joint;

FIG. 6 is a front perspective view of our single ball downspout articulated toward the front of the joint; and,

FIG. 7 is a front perspective view of our single ball downspout joint articulated toward the right side of the joint.

The broken line showing of the interior of the double ball downspout joint is included for the purpose of illustrating portions of the article and forms no part of the claimed design.

1 Claim, 3 Drawing Sheets

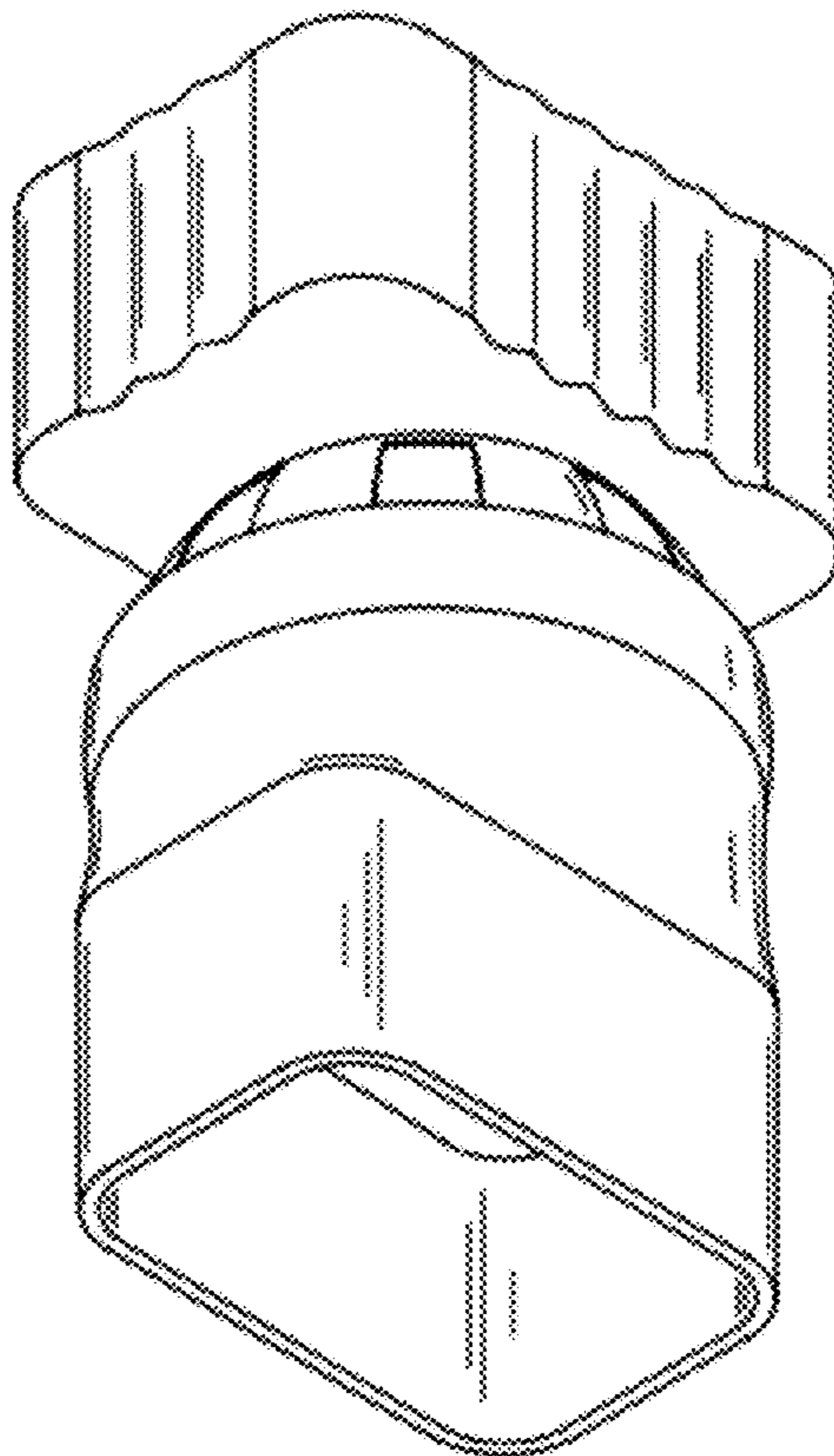


Fig 1

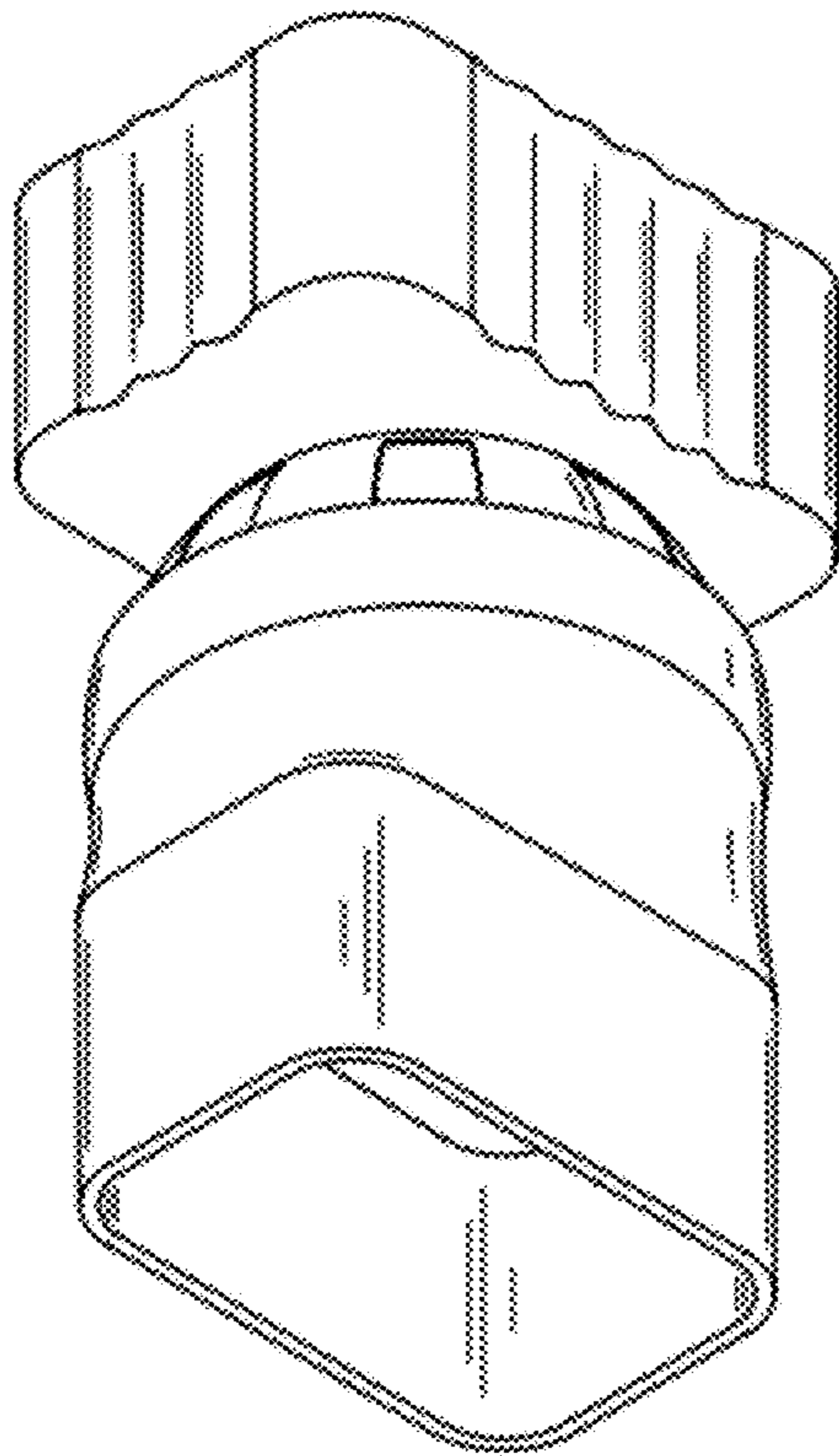


Fig 2

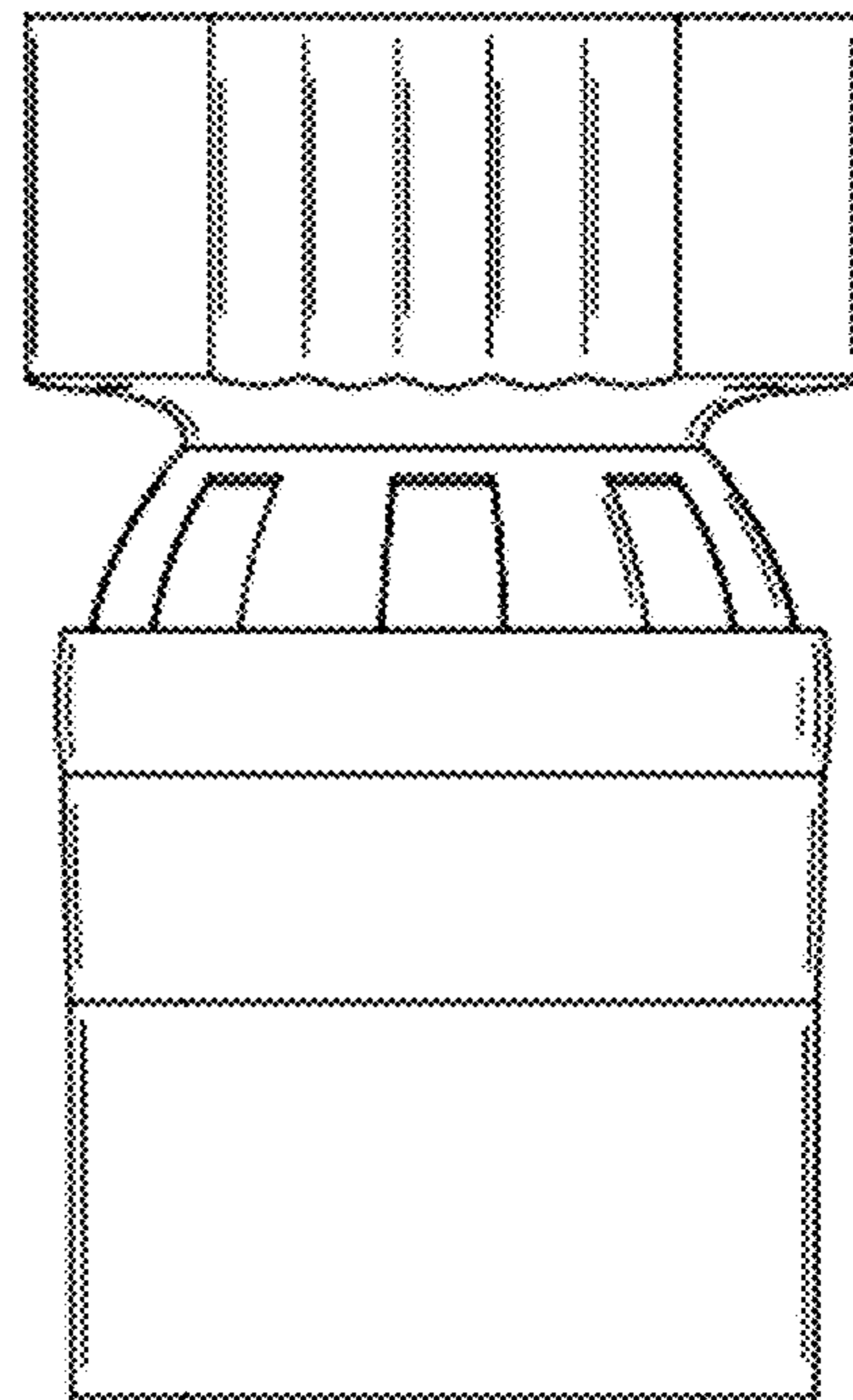


Fig 3

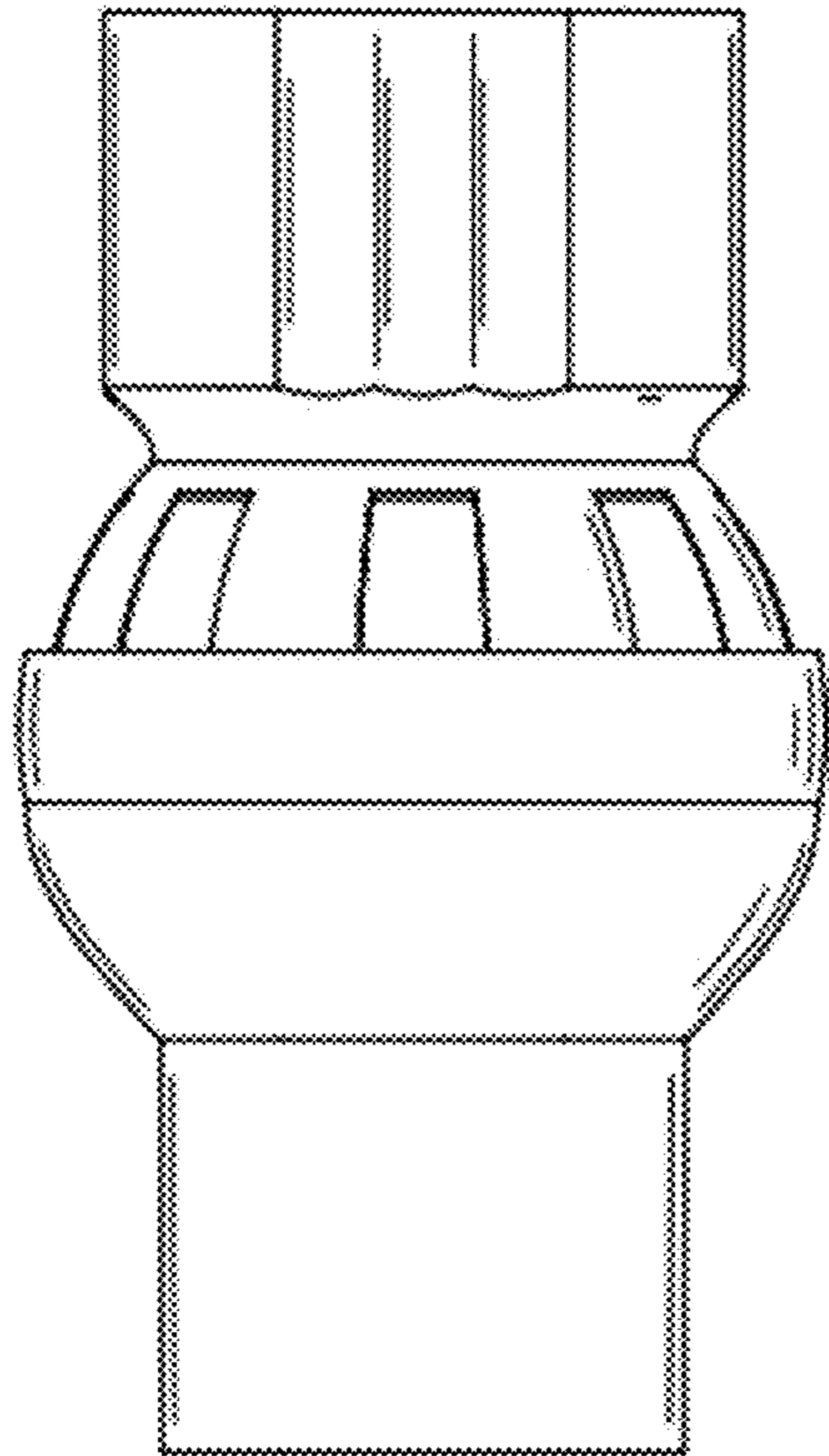


Fig 4

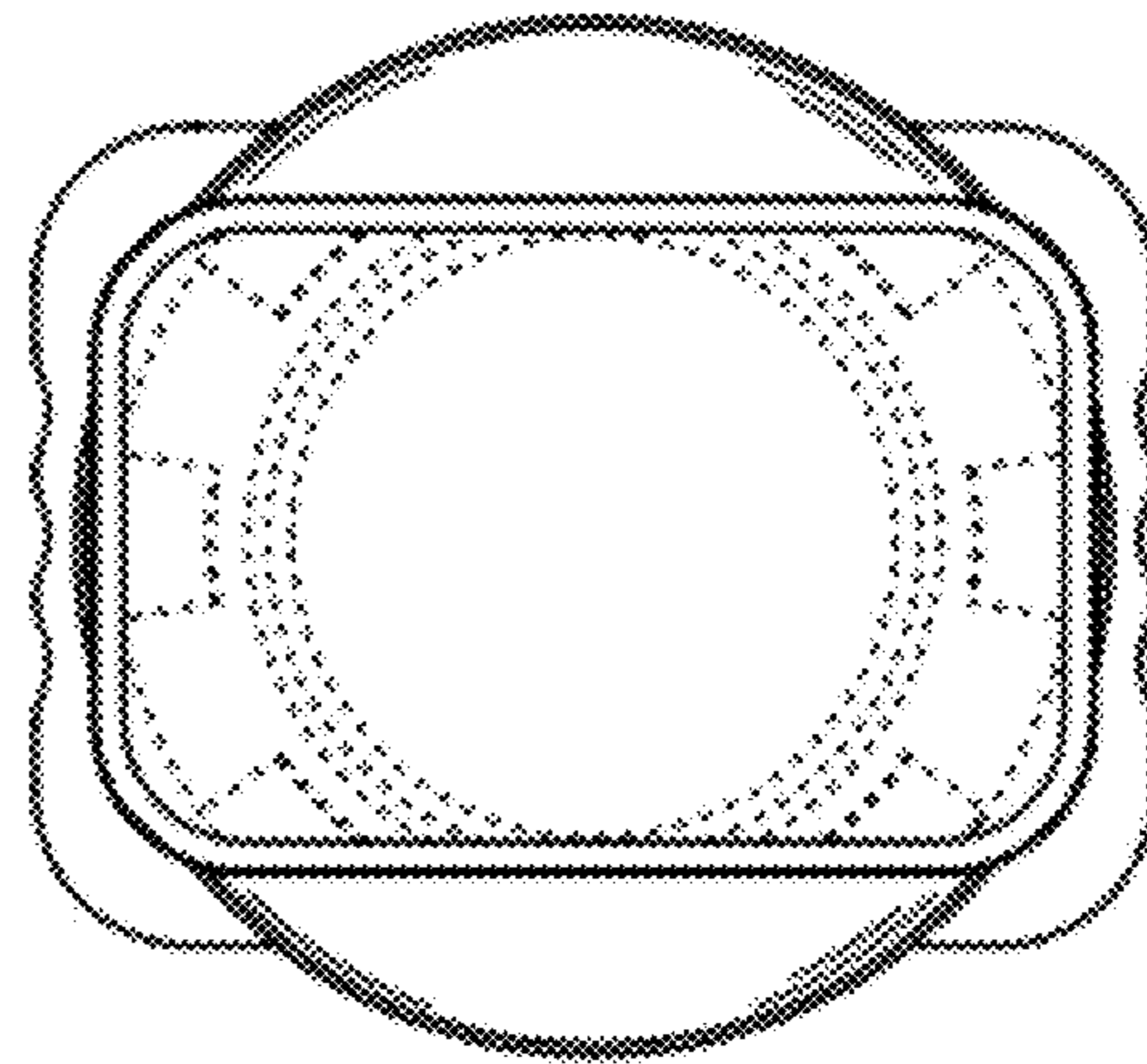


Fig 5

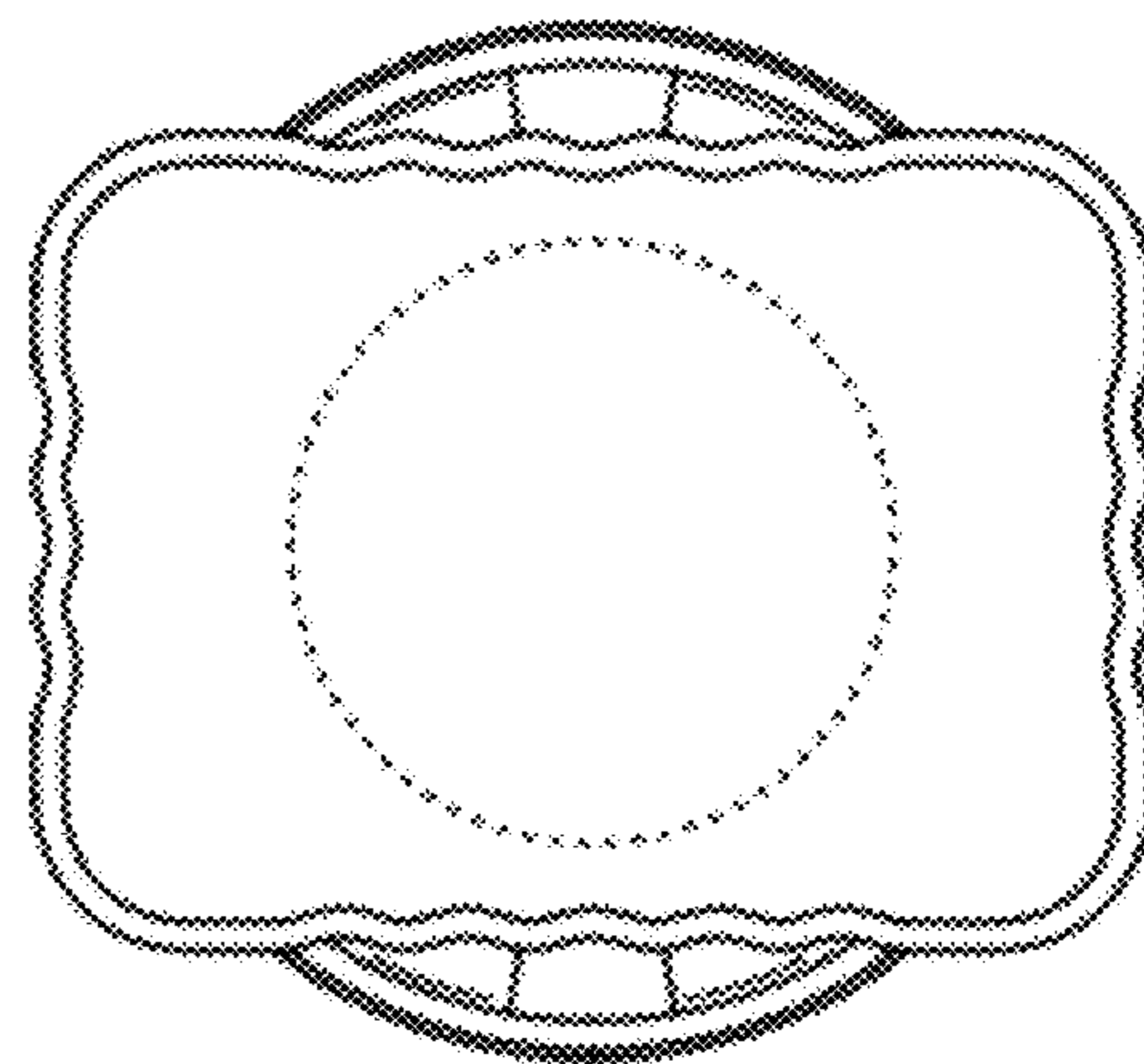


Fig 6

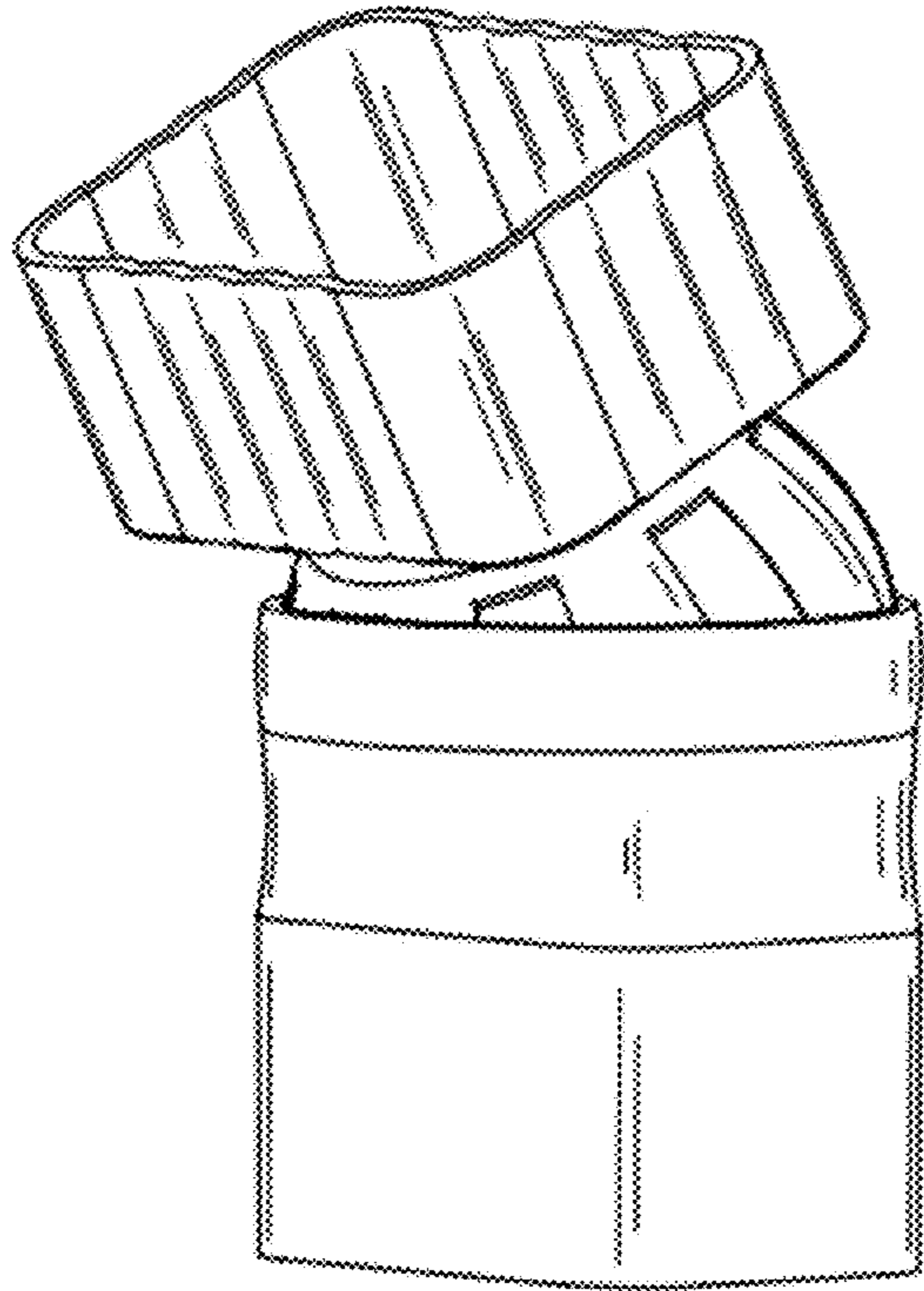


Fig 7

