

US00D671621S

(12) **United States Design Patent**  
**Ikenoya et al.**

(10) **Patent No.:** **US D671,621 S**

(45) **Date of Patent:** **\*\* Nov. 27, 2012**

(54) **OPEN/CLOSE VALVE**

(75) Inventors: **Shinji Ikenoya**, Tajimi (JP); **Naofumi Murata**, Tajimi (JP); **Hiroyuki Murase**, Konan (JP); **Hideyuki Takeda**, Kasugai (JP); **Ryo Muramatsu**, Nagoya (JP)

(73) Assignee: **CKD Corporation**, Komaki-Shi (JP)

(\*\*) Term: **14 Years**

(21) Appl. No.: **29/376,294**

(22) Filed: **Oct. 5, 2010**

(30) **Foreign Application Priority Data**

Aug. 27, 2010 (JP) ..... 2010-020760

(51) **LOC (9) Cl.** ..... **23-01**

(52) **U.S. Cl.** ..... **D23/245; D23/248**

(58) **Field of Classification Search** ..... D23/233-237,  
D23/244-249, 255-269, 310; 137/625, 625.18,  
137/625.4, 625.41, 625.42, 625.46, 625.64,  
137/625.65; 251/129.01

See application file for complete search history.

(56) **References Cited**

**U.S. PATENT DOCUMENTS**

D159,772 S \* 8/1950 Arcularius ..... D23/246  
D236,980 S \* 9/1975 Callahan et al. .... D23/233  
D266,863 S \* 11/1982 Mason ..... D23/233

D317,815 S \* 6/1991 Jeromson et al. .... D23/233  
D328,945 S \* 8/1992 Aarthun et al. .... D23/233  
D416,076 S \* 11/1999 Okitsu ..... D23/235  
D428,114 S \* 7/2000 Le Bars ..... D23/233  
D500,842 S \* 1/2005 Croft ..... D23/245  
D632,362 S \* 2/2011 Ito et al. .... D23/233  
D633,985 S \* 3/2011 Spadotto ..... D23/233  
D633,986 S \* 3/2011 Ito et al. .... D23/233  
D644,298 S \* 8/2011 Okitsu et al. .... D23/235  
D644,299 S \* 8/2011 Okitsu et al. .... D23/235

\* cited by examiner

*Primary Examiner* — Garth Rademaker

(74) *Attorney, Agent, or Firm* — Oliff & Berridge, PLC

(57) **CLAIM**

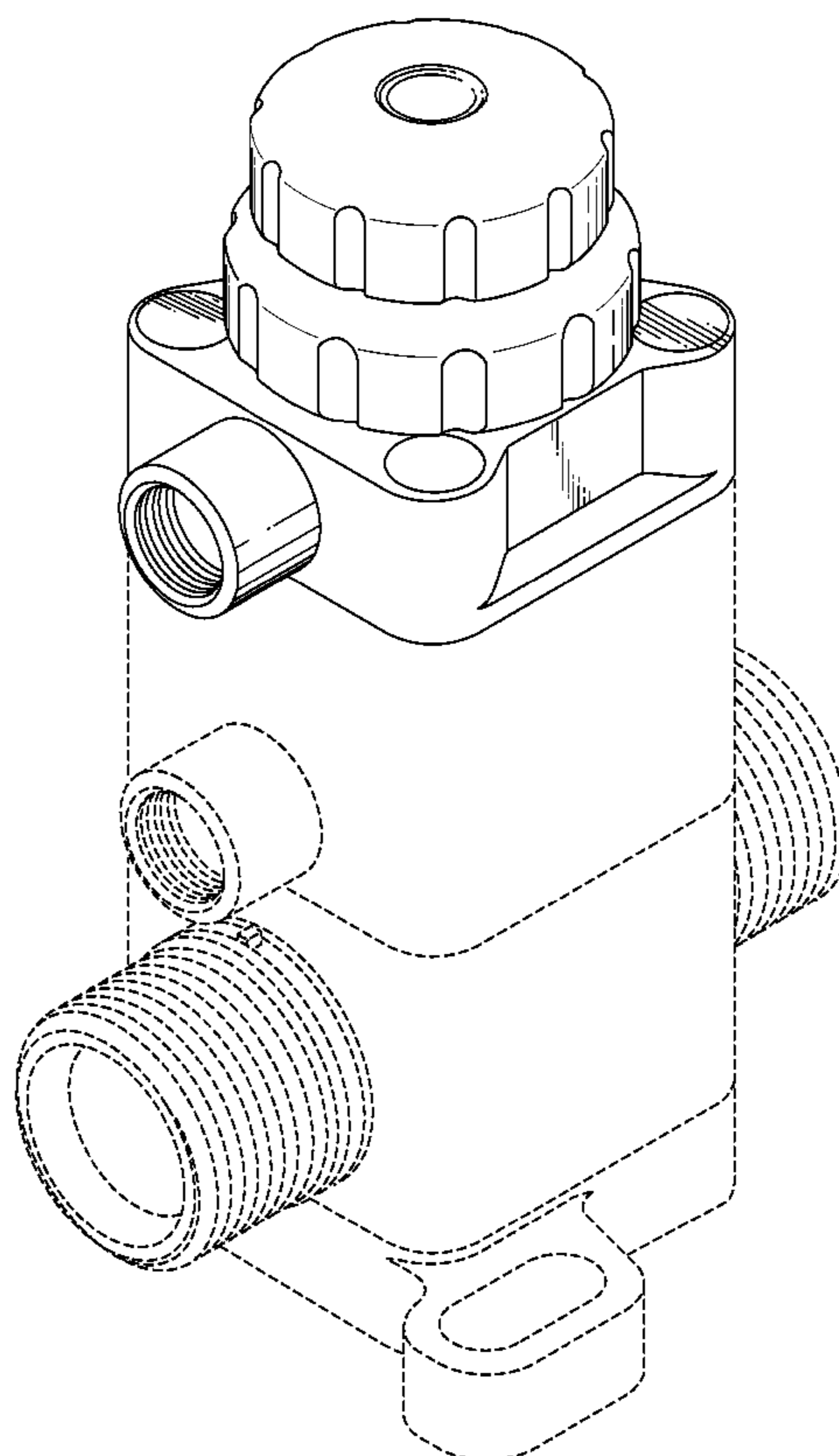
The ornamental design for an open/close valve, as shown and described.

**DESCRIPTION**

FIG. 1 is a perspective view of an open/close valve;  
FIG. 2 is a front view thereof;  
FIG. 3 is a top view thereof;  
FIG. 4 is a right-side view thereof;  
FIG. 5 is a left-side view thereof;  
FIG. 6 is a rear view thereof; and,  
FIG. 7 is a cross-section view thereof, taken along line 7-7 of FIG. 5.

The broken lines depict environmental subject matter only and form no part of the claimed design.

**1 Claim, 7 Drawing Sheets**



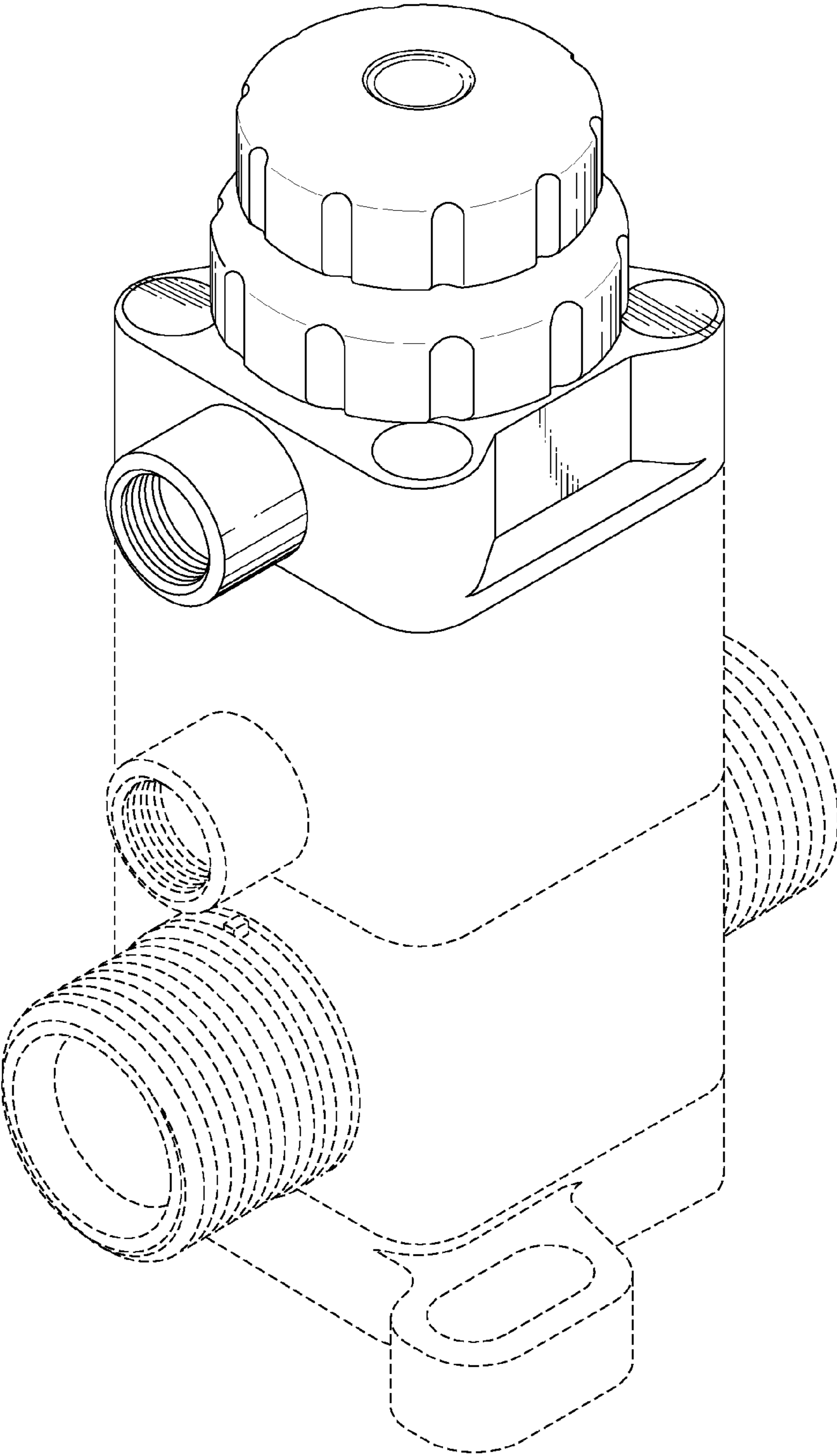


FIG. 1

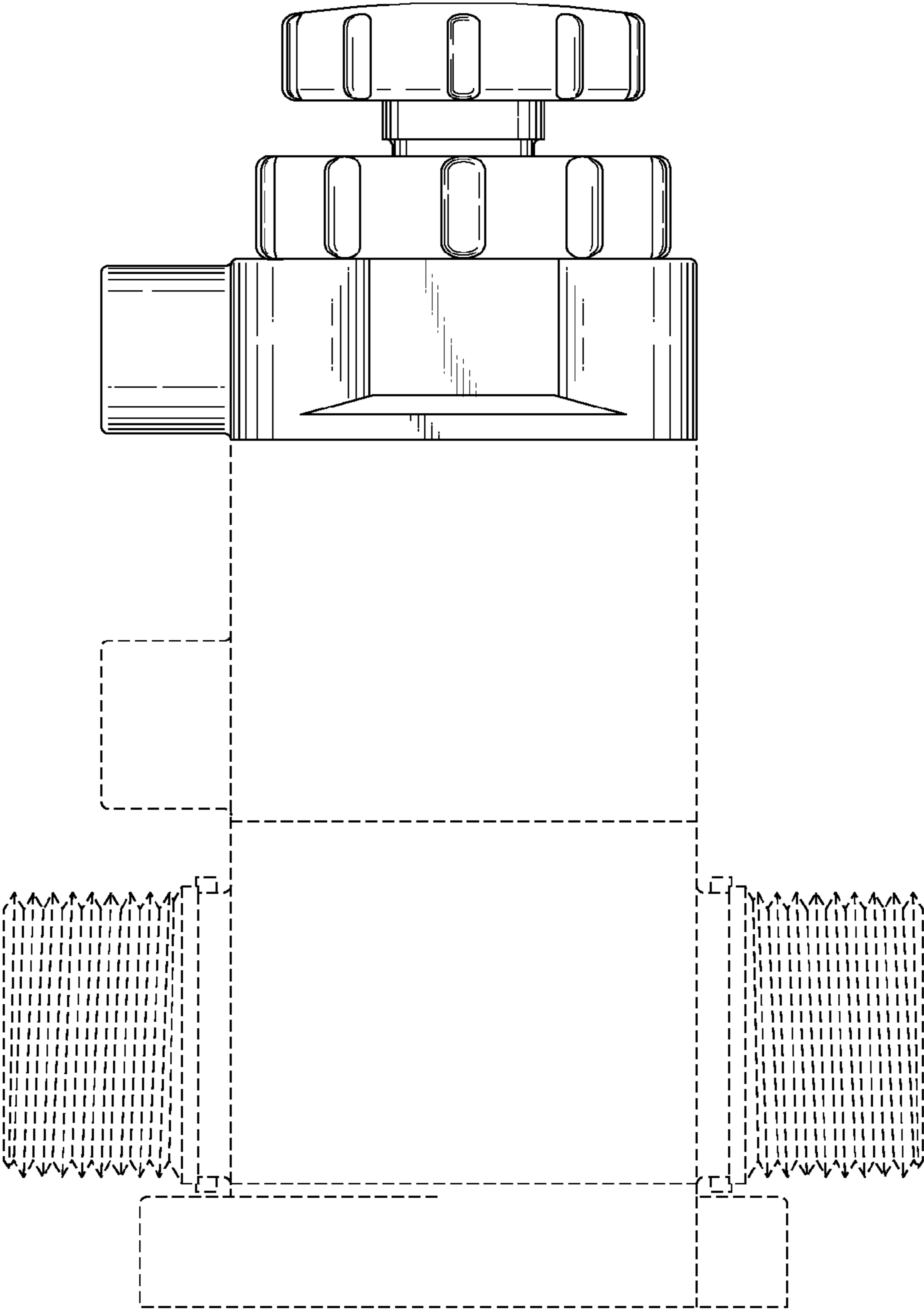


FIG. 2

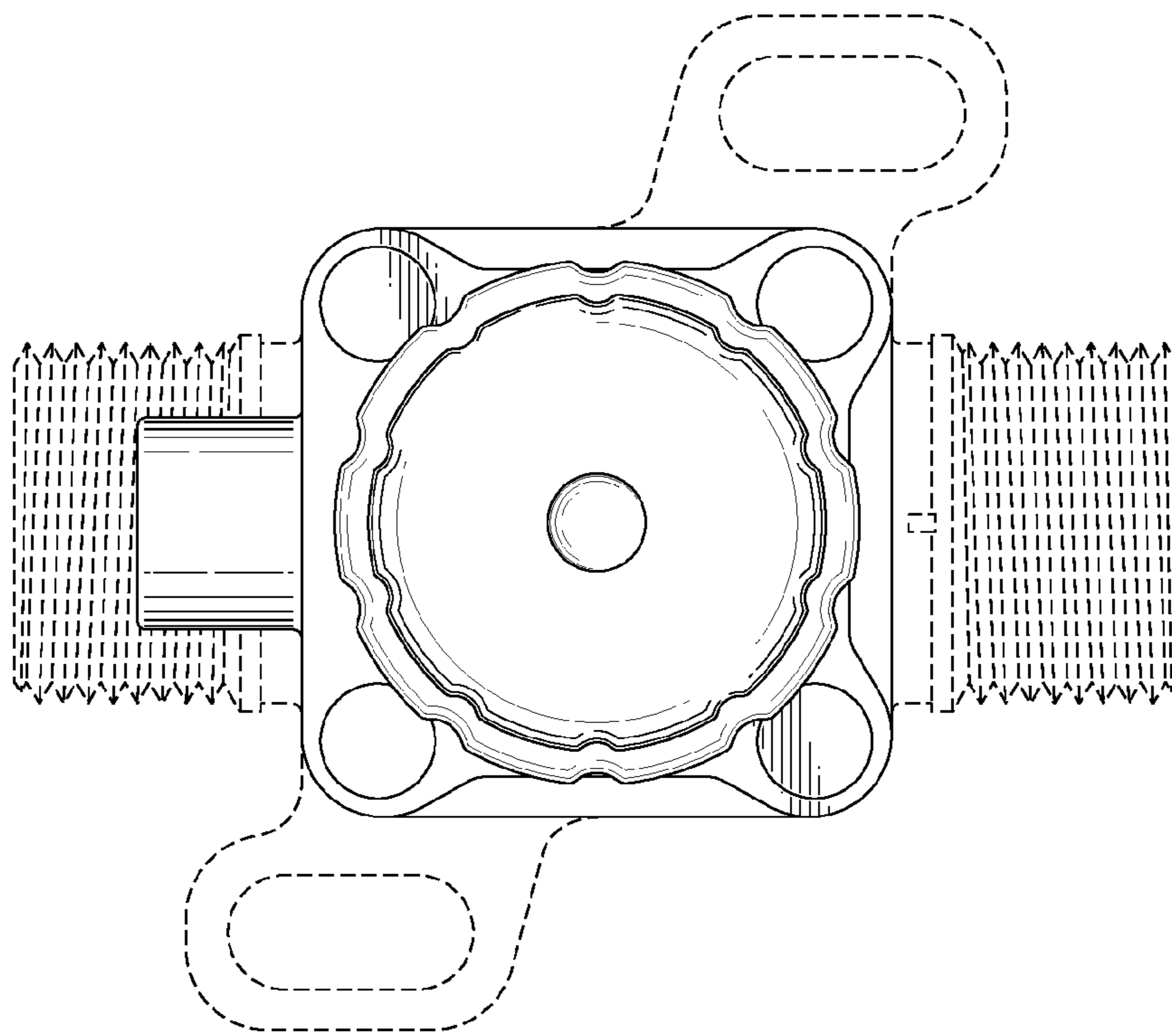


FIG. 3

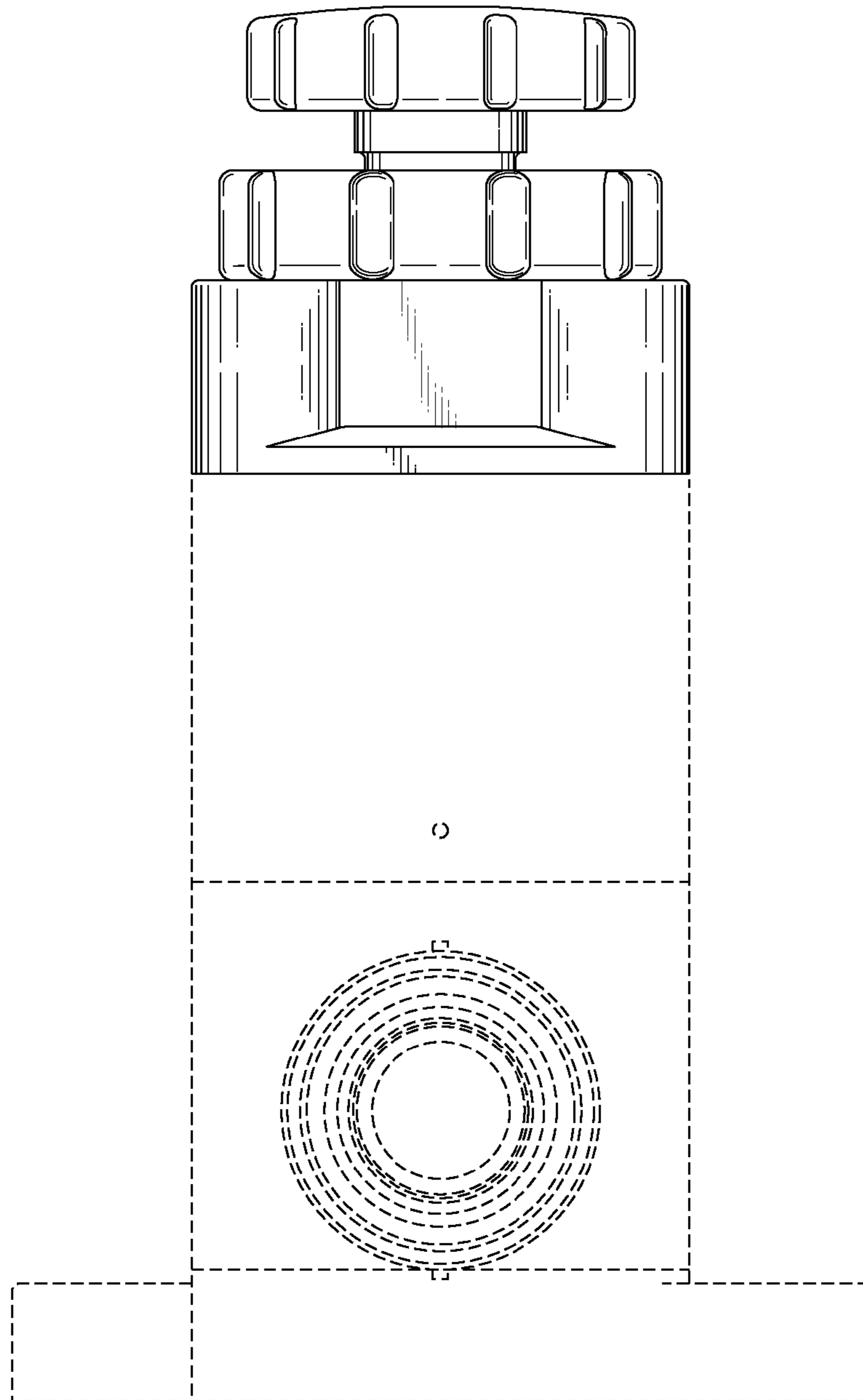


FIG. 4

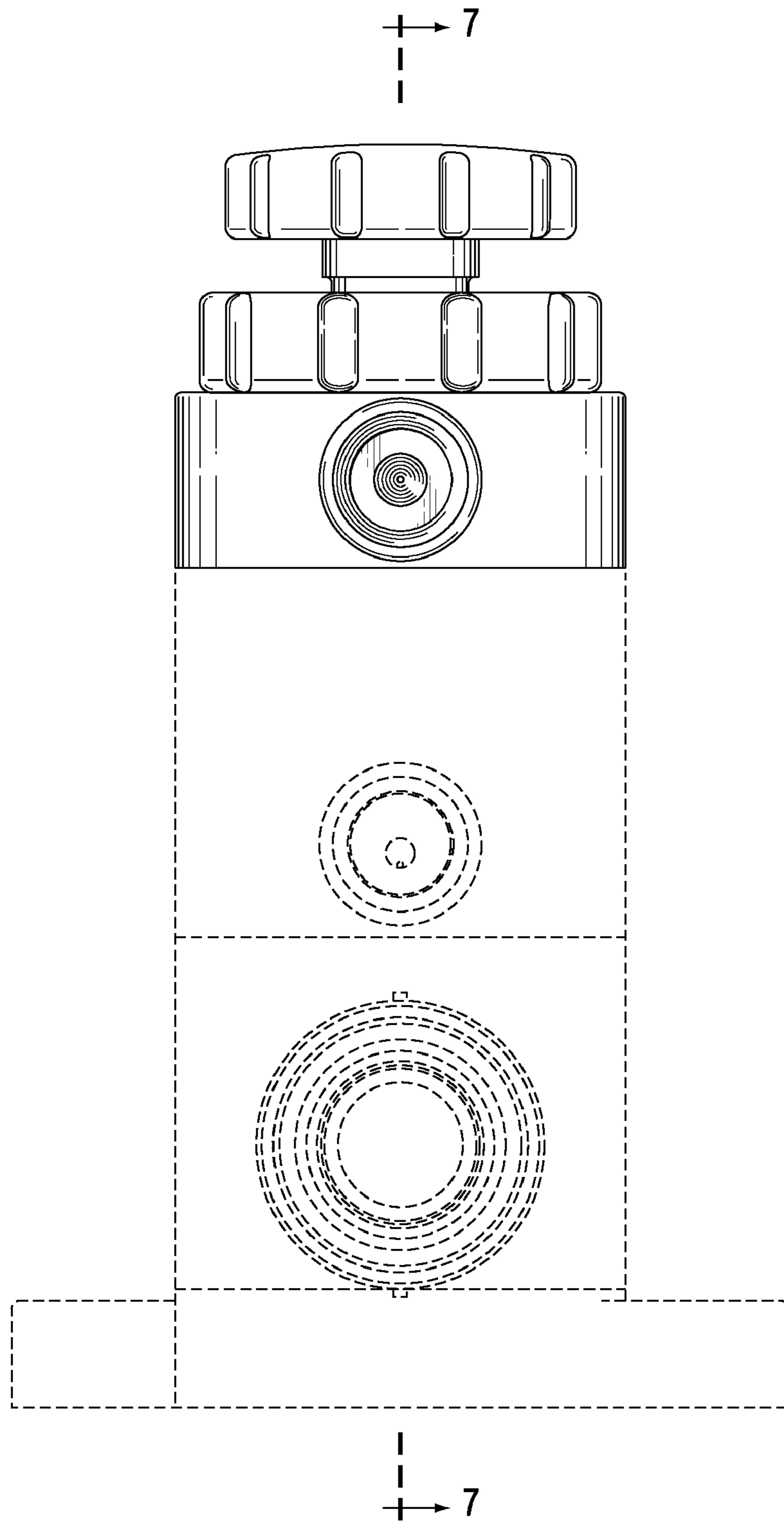


FIG. 5

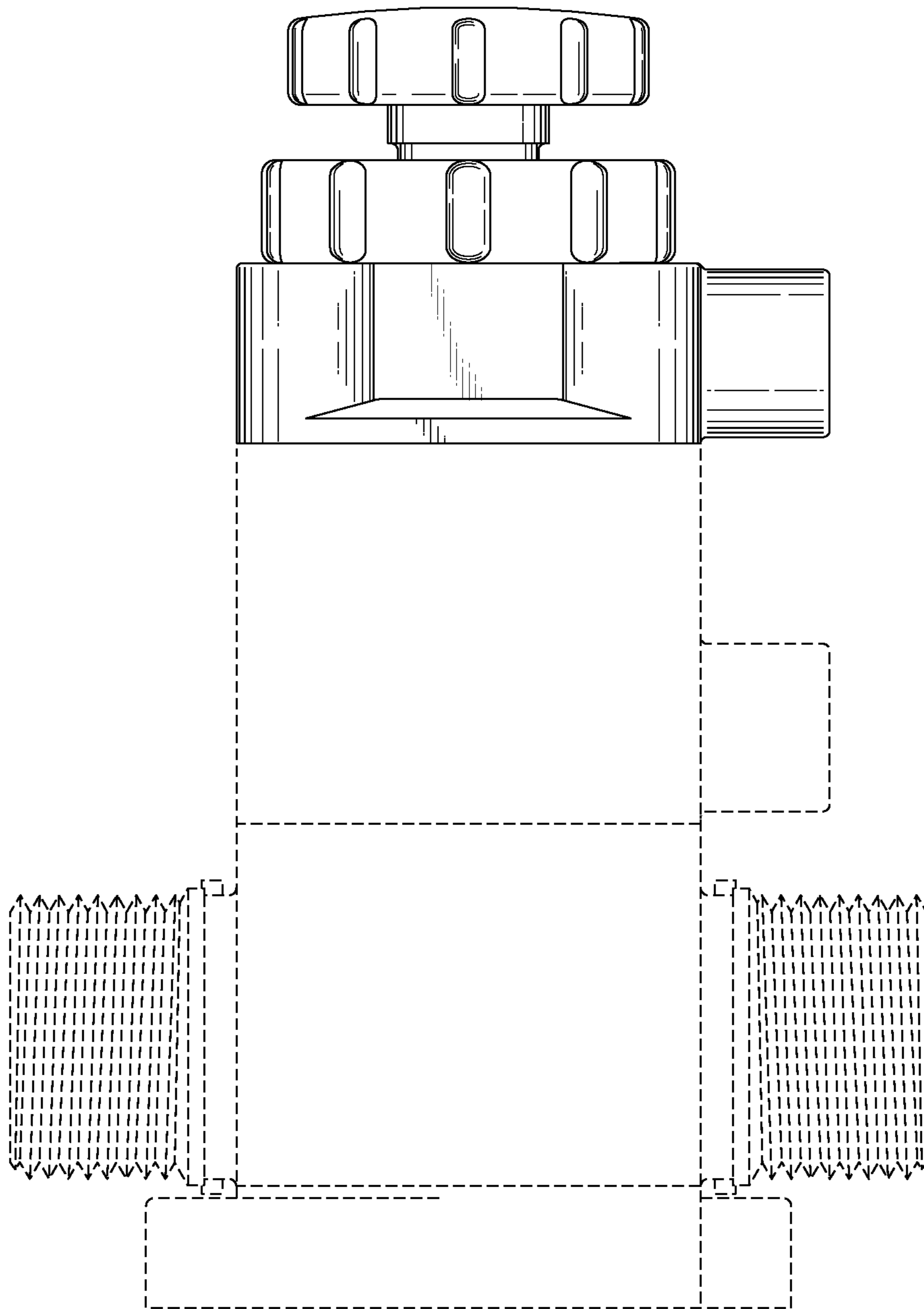


FIG. 6

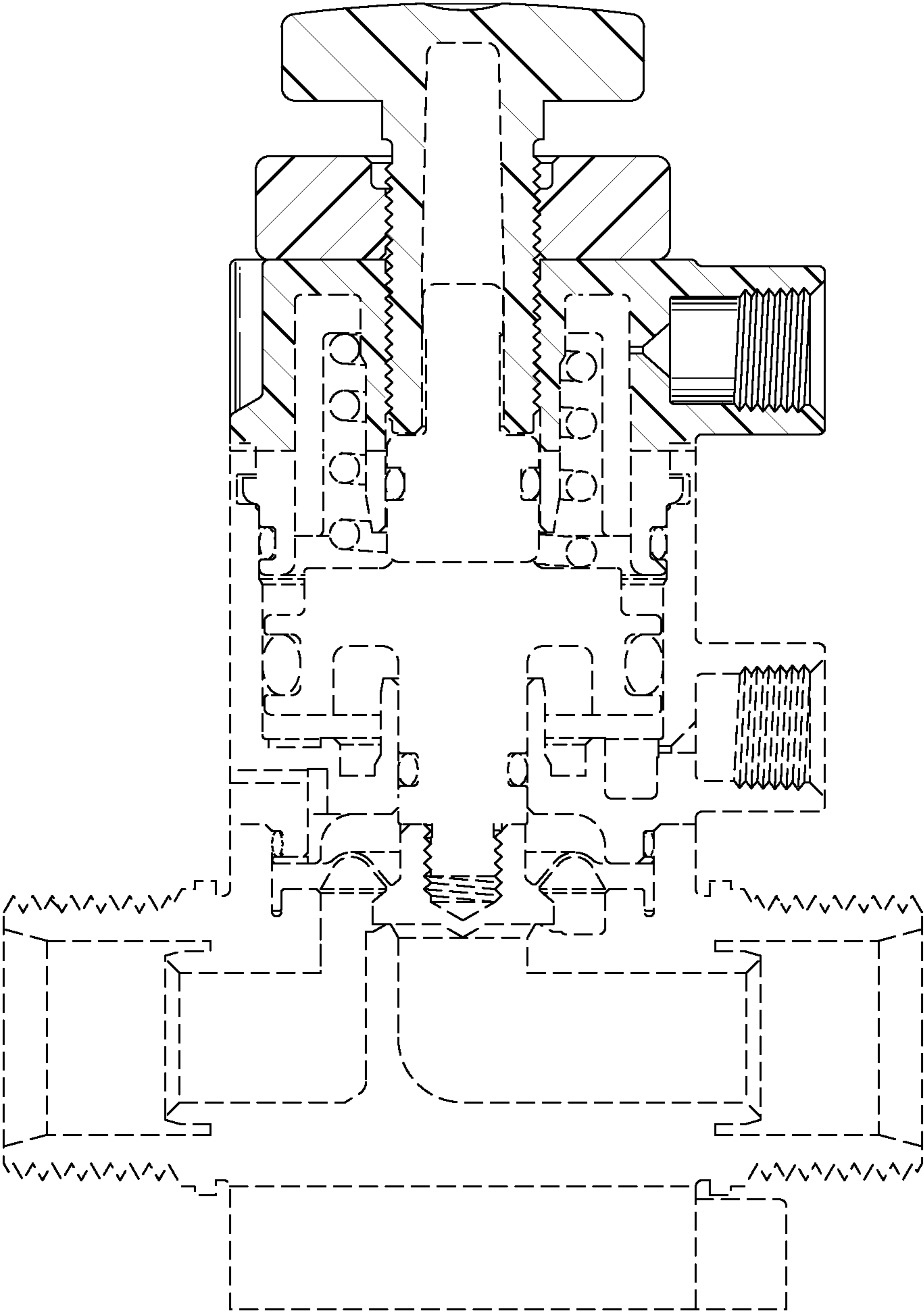


FIG. 7