

US00D671620S

(12) **United States Design Patent**  
**March et al.**

(10) **Patent No.:** **US D671,620 S**

(45) **Date of Patent:** **\*\* Nov. 27, 2012**

(54) **VALVE WITH TACTILE POSITION INDICATION**

(75) Inventors: **Daniel March**, Lake Villa, IL (US);  
**John F. Hannan**, Enniscrone (IE);  
**Terence King**, Antioch, IL (US); **Jakub Goczkowski**, Frederiksberg C (DK)

(73) Assignee: **Hollister Incorporated**, Libertyville, IL (US)

(\*\*) Term: **14 Years**

(21) Appl. No.: **29/379,627**

(22) Filed: **Nov. 22, 2010**

(51) **LOC (9) Cl.** ..... **23-01**

(52) **U.S. Cl.** ..... **D23/233**

(58) **Field of Classification Search** ..... D23/233-237,  
D23/244-249, 255-269, 310; 604/327, 332,  
604/335, 337-339

See application file for complete search history.

(56) **References Cited**

**U.S. PATENT DOCUMENTS**

4,280,498	A *	7/1981	Jensen	604/335
4,300,560	A *	11/1981	Steer et al.	604/335
D295,220	S *	4/1988	Kay	D24/129
D336,681	S *	6/1993	Vickers	D23/262
2005/0273065	A1 *	12/2005	Lillegaard	604/332
2009/0082743	A1 *	3/2009	Buglino et al.	604/335
2009/0163883	A1 *	6/2009	Christensen et al.	604/328
2009/0188493	A1 *	7/2009	Doshi et al.	128/200.24
2012/0130329	A1 *	5/2012	March et al.	604/332

**OTHER PUBLICATIONS**

Coloplast Corp. 2010 Product Guide (Continence, Ostomy, Skin and Wound Care), pp. 71-75 and 78-80.

ConvaTec Inc. 2010 Ostomy Product Guide, p. 40.

Hollister Incorporated 2010 Product Catalog (Ostomy Care, Continence Care, Bowel Management, Tube Fasteners, Wound Care), pp. 34-36, 45, 48-50 and 53-55.

\* cited by examiner

*Primary Examiner* — Garth Rademaker

(74) *Attorney, Agent, or Firm* — Levenfeld Pearlstein, LLC

(57) **CLAIM**

The ornamental design for a valve with tactile position indication, as shown and described.

**DESCRIPTION**

FIG. 1 is a top, front perspective view of a valve with tactile position indication embodying our new design;

FIG. 2 is a front view thereof;

FIG. 3 is a rear view thereof;

FIG. 4 is a right side view thereof;

FIG. 5 is a left side view thereof;

FIG. 6 is a top view thereof;

FIG. 7 is a bottom view thereof;

FIG. 8 is a top, rear perspective view thereof, shown with the cap removed; and,

FIG. 9 is a front view of the valve shown mounted to an ostomy pouch.

The broken lines depict portions of the valve body and, in FIG. 9, a pouch, none of which form a part of the claimed design.

**1 Claim, 6 Drawing Sheets**

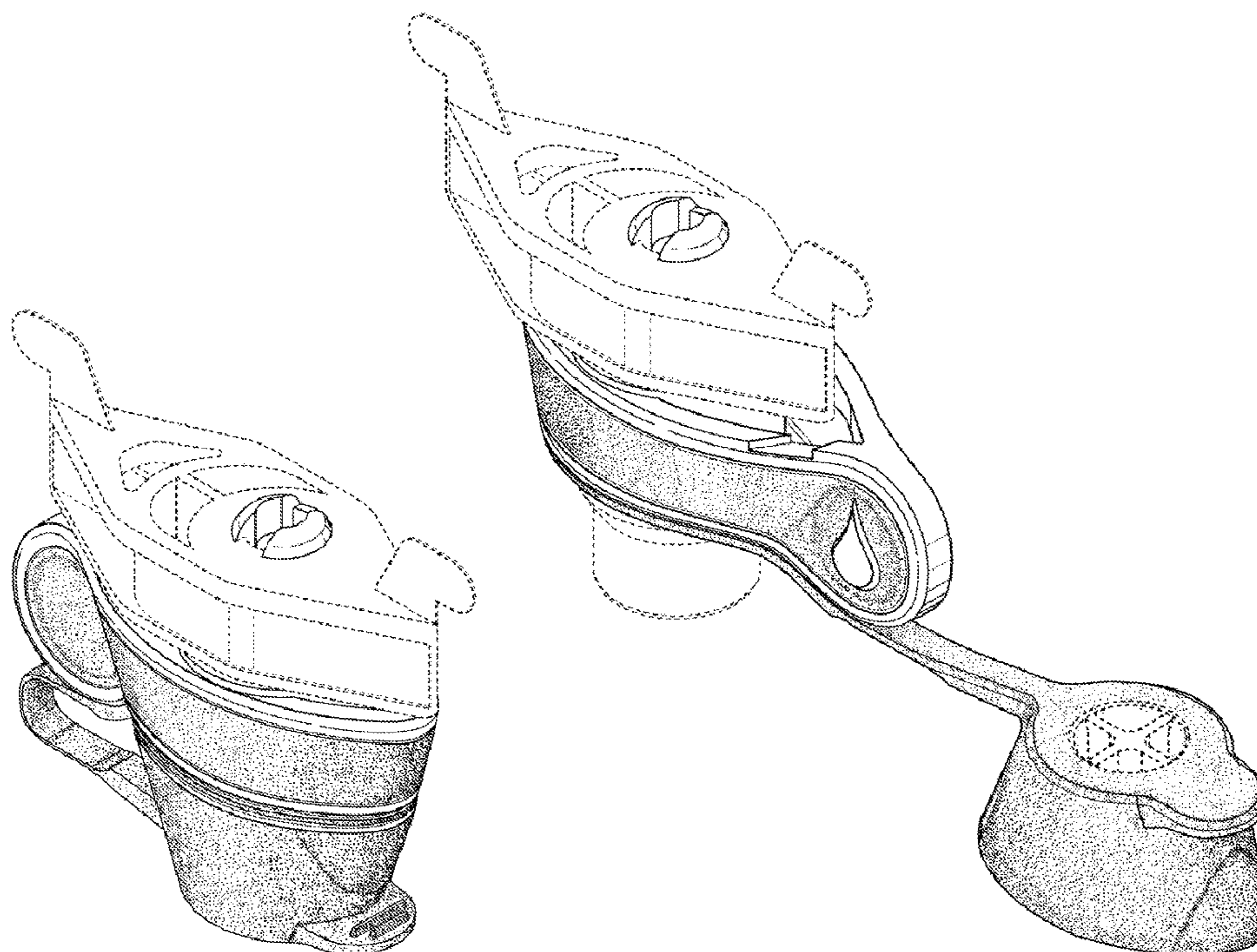


Fig. 1

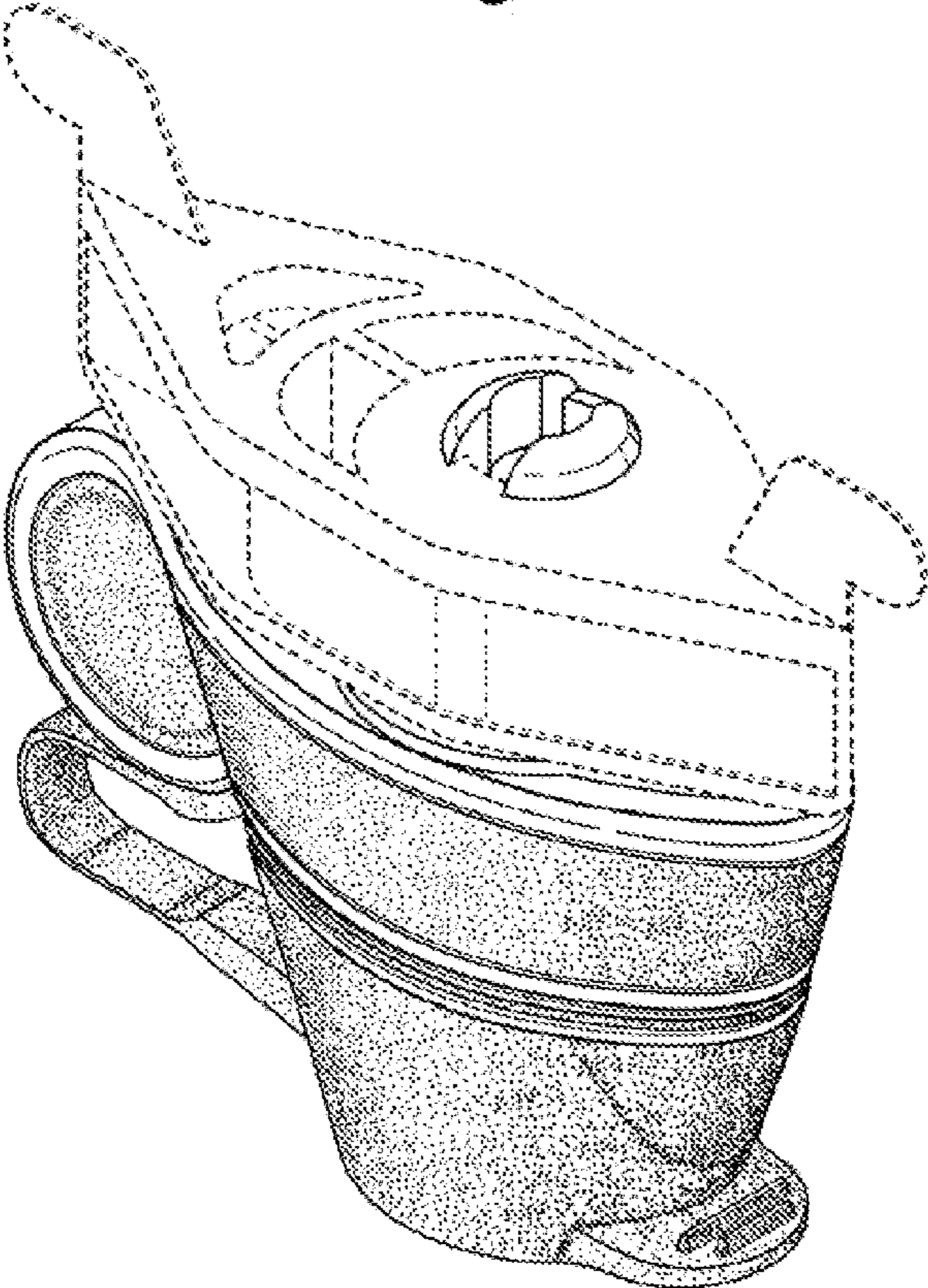


Fig. 2

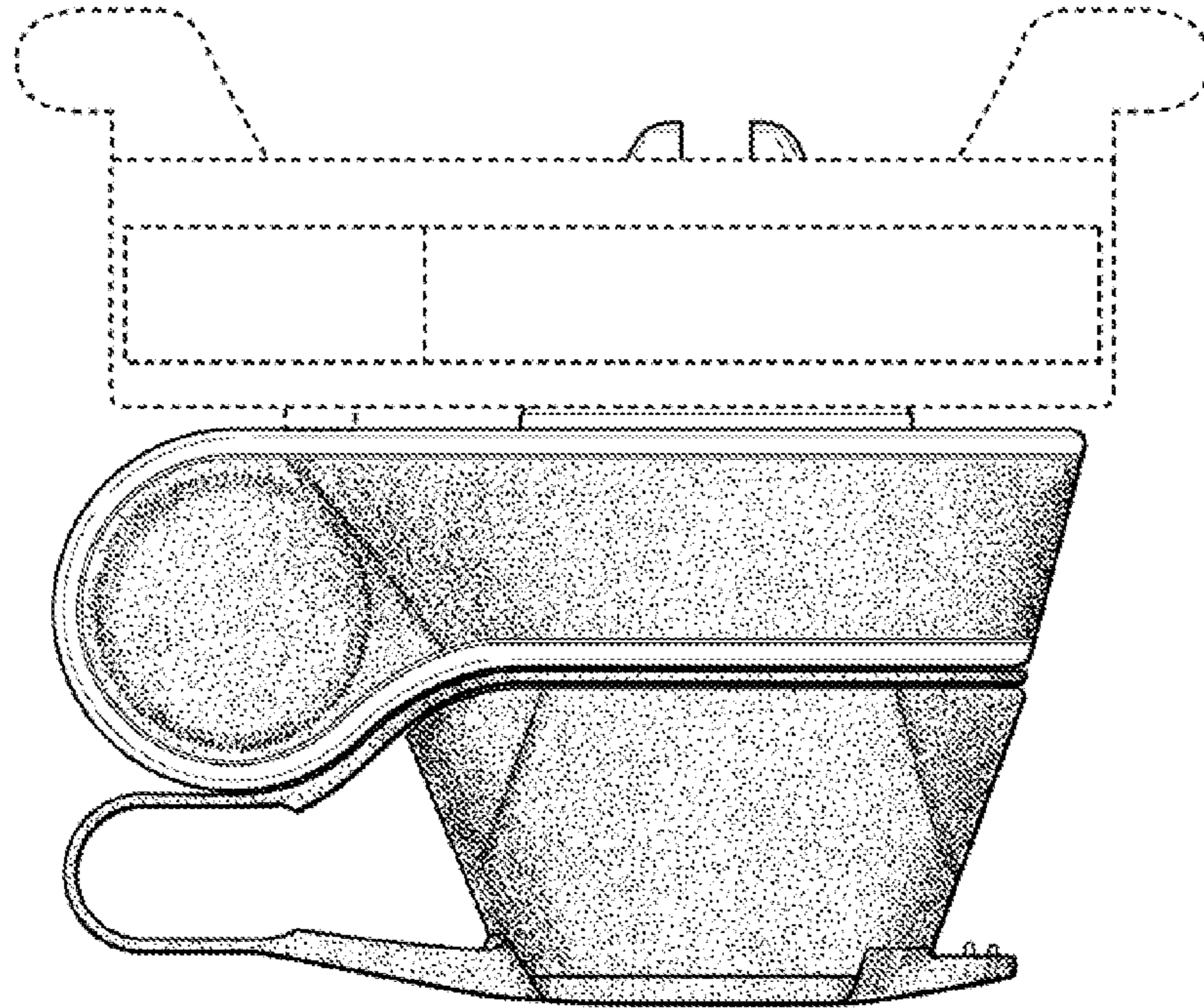


Fig. 3

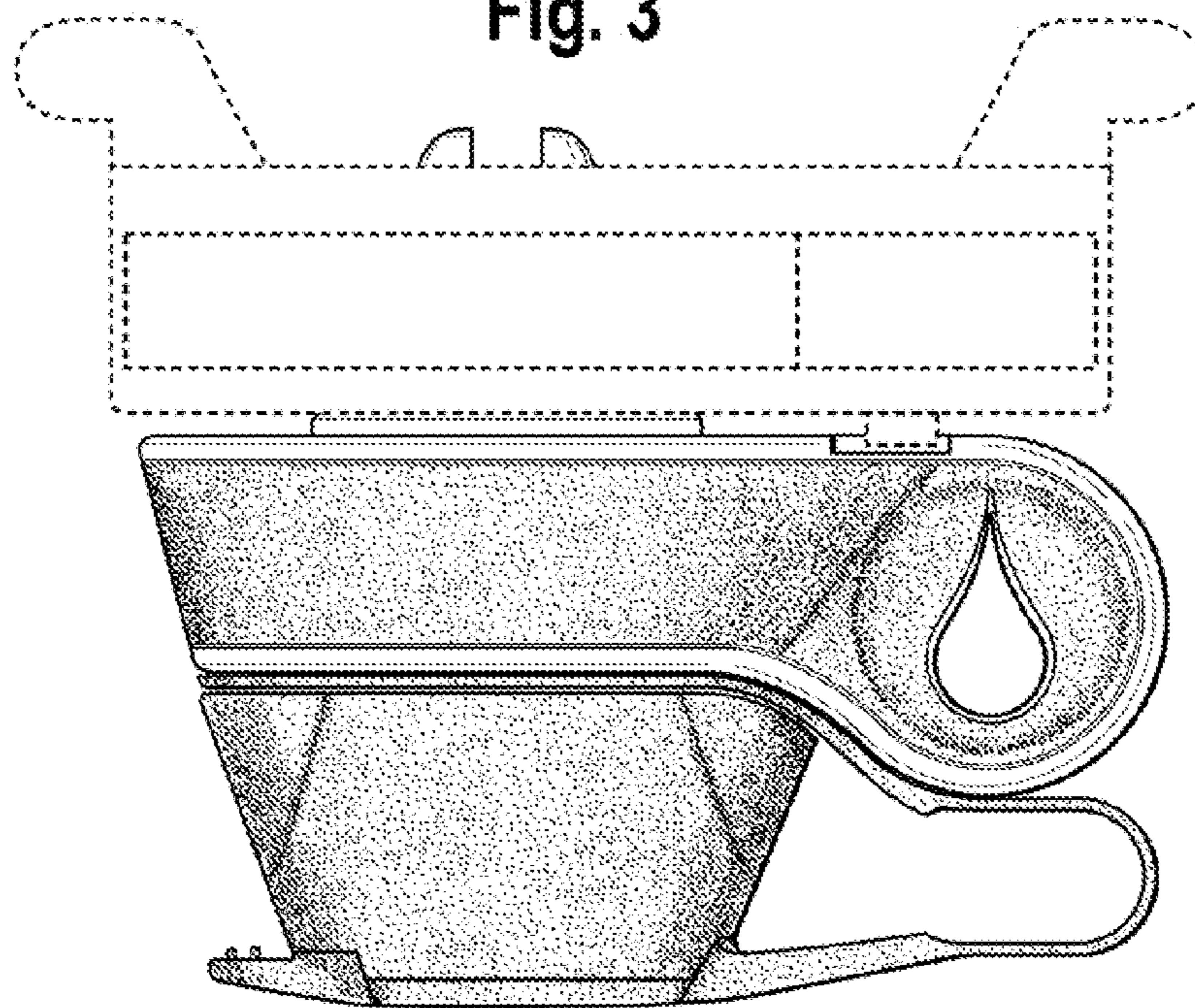


Fig. 4

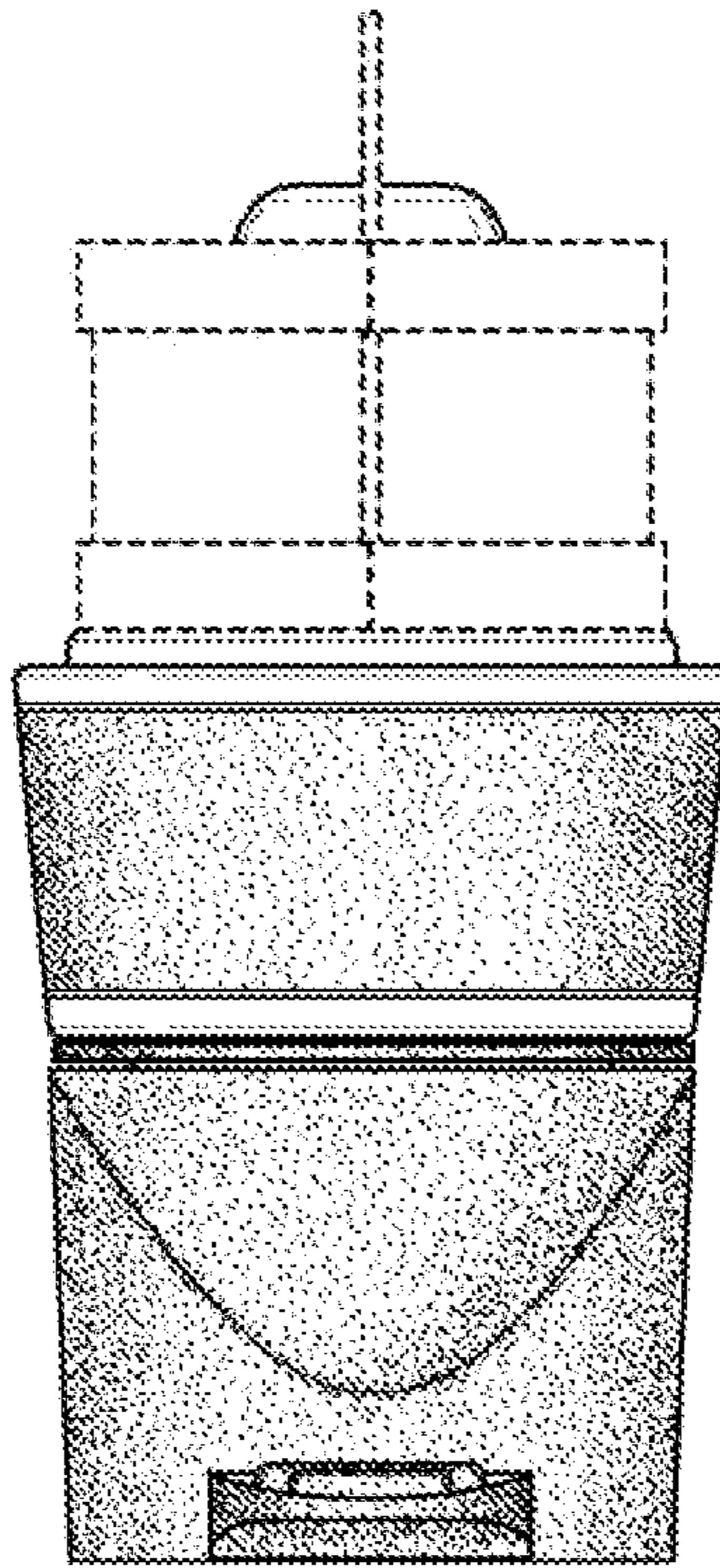


Fig. 5

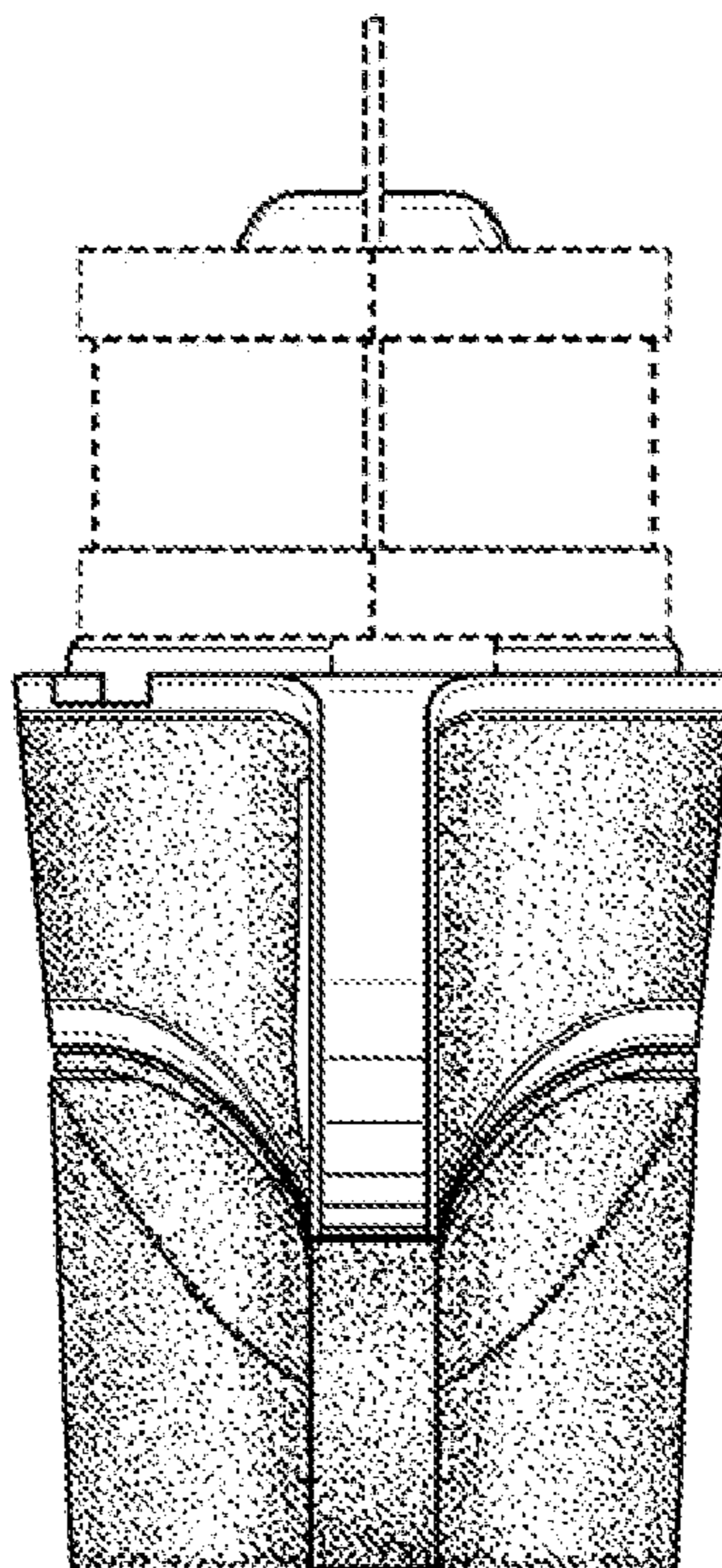


Fig. 6

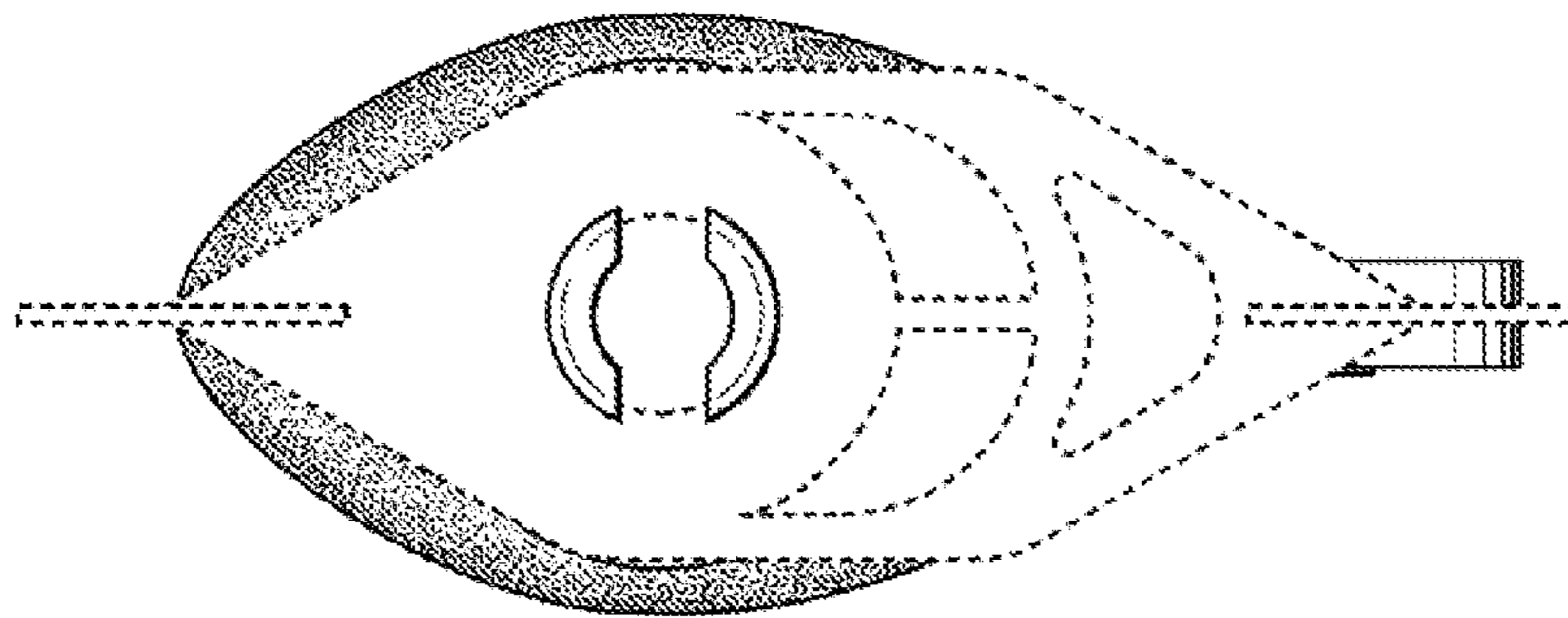


Fig. 7

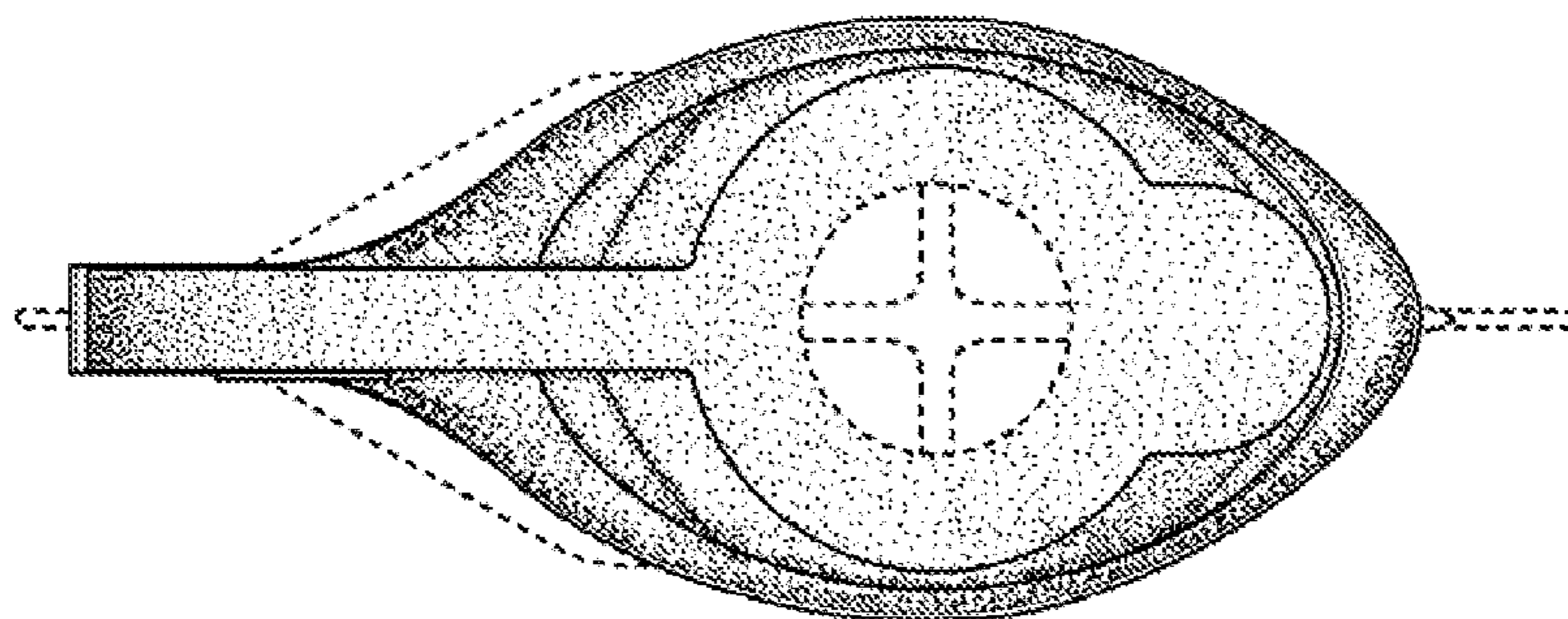


Fig. 8

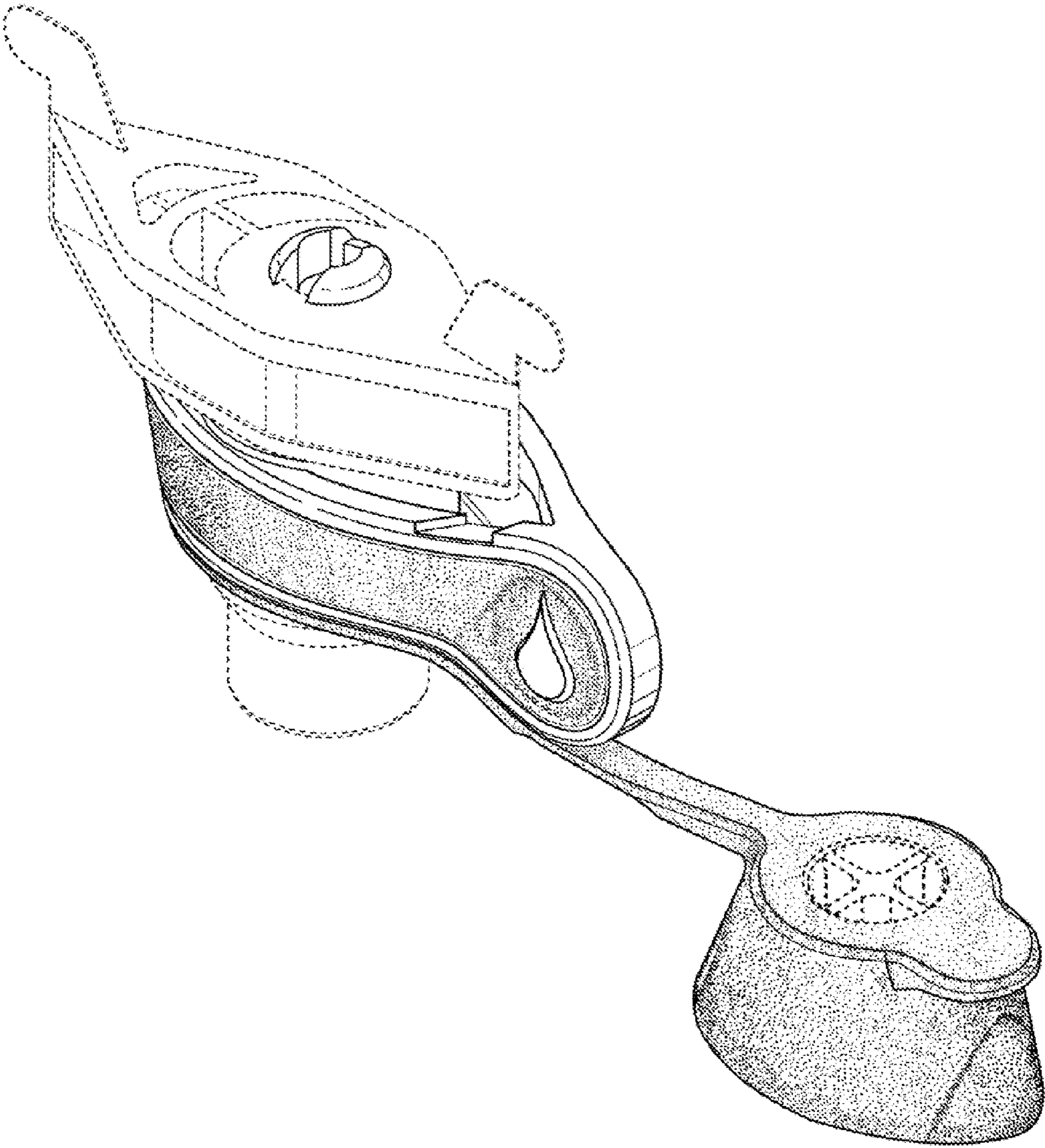


Fig. 9

