



US00D671619S

(12) **United States Design Patent**
Tullney et al.

(10) **Patent No.:** **US D671,619 S**

(45) **Date of Patent:** **** Nov. 27, 2012**

(54) **HEATABLE PAINT SPRAY SYSTEM**

(56) **References Cited**

(75) Inventors: **Heiko Tullney**, Hamburg (DE);
Hermann Probst, Ravensburg (DE);
Thomas Jeltsch, Friedrichshafen (DE)

U.S. PATENT DOCUMENTS

D563,503 S * 3/2008 Monk D23/225
D607,968 S * 1/2010 Wojciechowski et al. ... D23/213
D632,761 S * 2/2011 Cane et al. D23/225

* cited by examiner

(73) Assignee: **J. Wagner GmbH**, Markdorf (DE)

Primary Examiner — Robin V Webster

(74) *Attorney, Agent, or Firm* — Burr & Brown

(**) Term: **14 Years**

(57) **CLAIM**

The ornamental design for a heatable paint spray system, as shown and described.

(21) Appl. No.: **29/401,175**

DESCRIPTION

(22) Filed: **Sep. 8, 2011**

FIG. 1 is front perspective view of a heatable paint spray system illustrating our new design;
FIG. 2 a left side view thereof;
FIG. 3 is right side view thereof;
FIG. 4 is a rear view thereof;
FIG. 5 is a front view thereof;
FIG. 6 is a top plan view thereof; and,
FIG. 7 is a bottom plan view thereof.

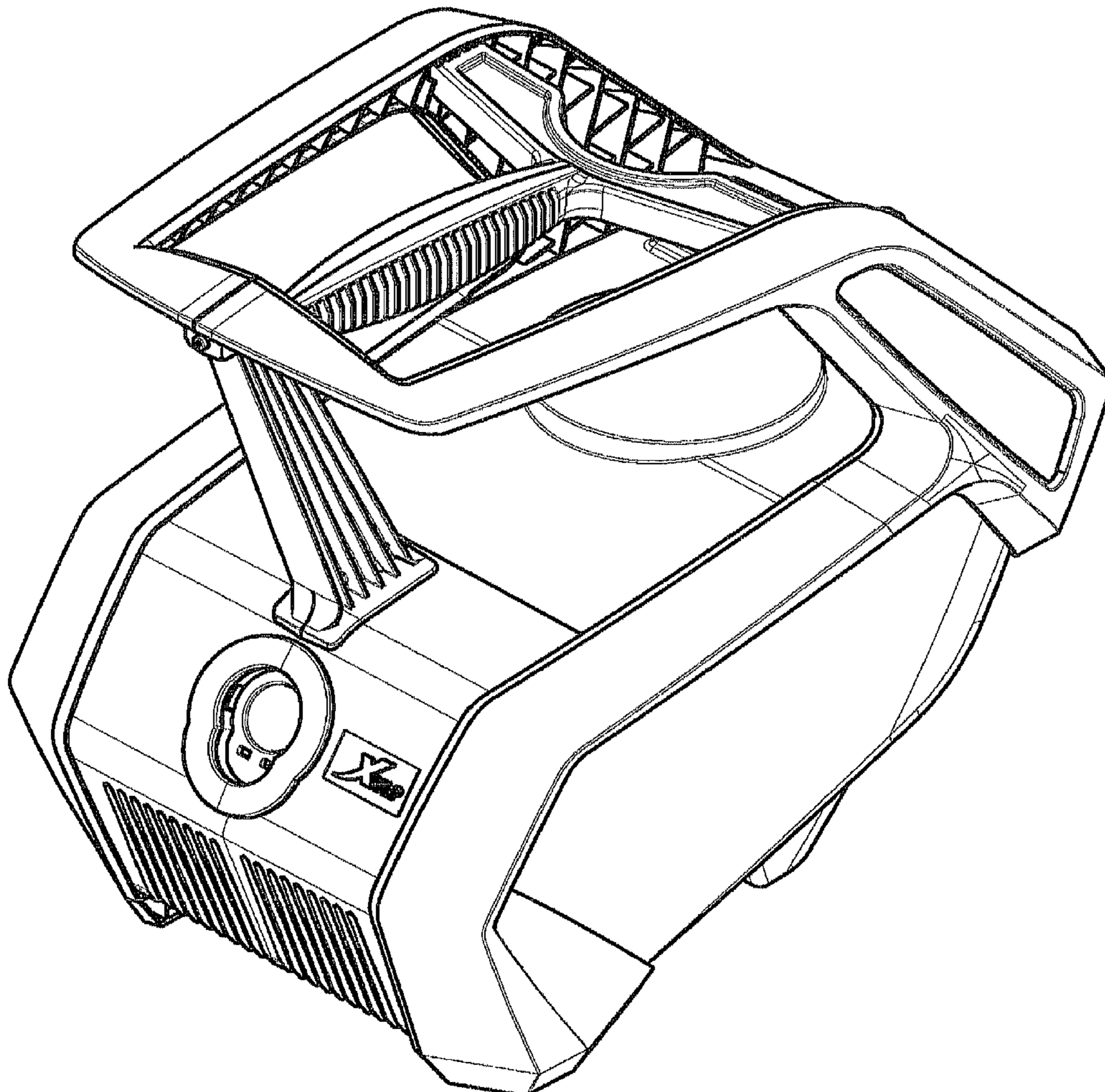
(51) **LOC (9) Cl.** **23-01**

(52) **U.S. Cl.** **D23/225**

(58) **Field of Classification Search** D23/213,
D23/225; 239/152–154, 142, 332–333, DIG. 4,
239/308, 310, 337; 222/383.1

See application file for complete search history.

1 Claim, 7 Drawing Sheets



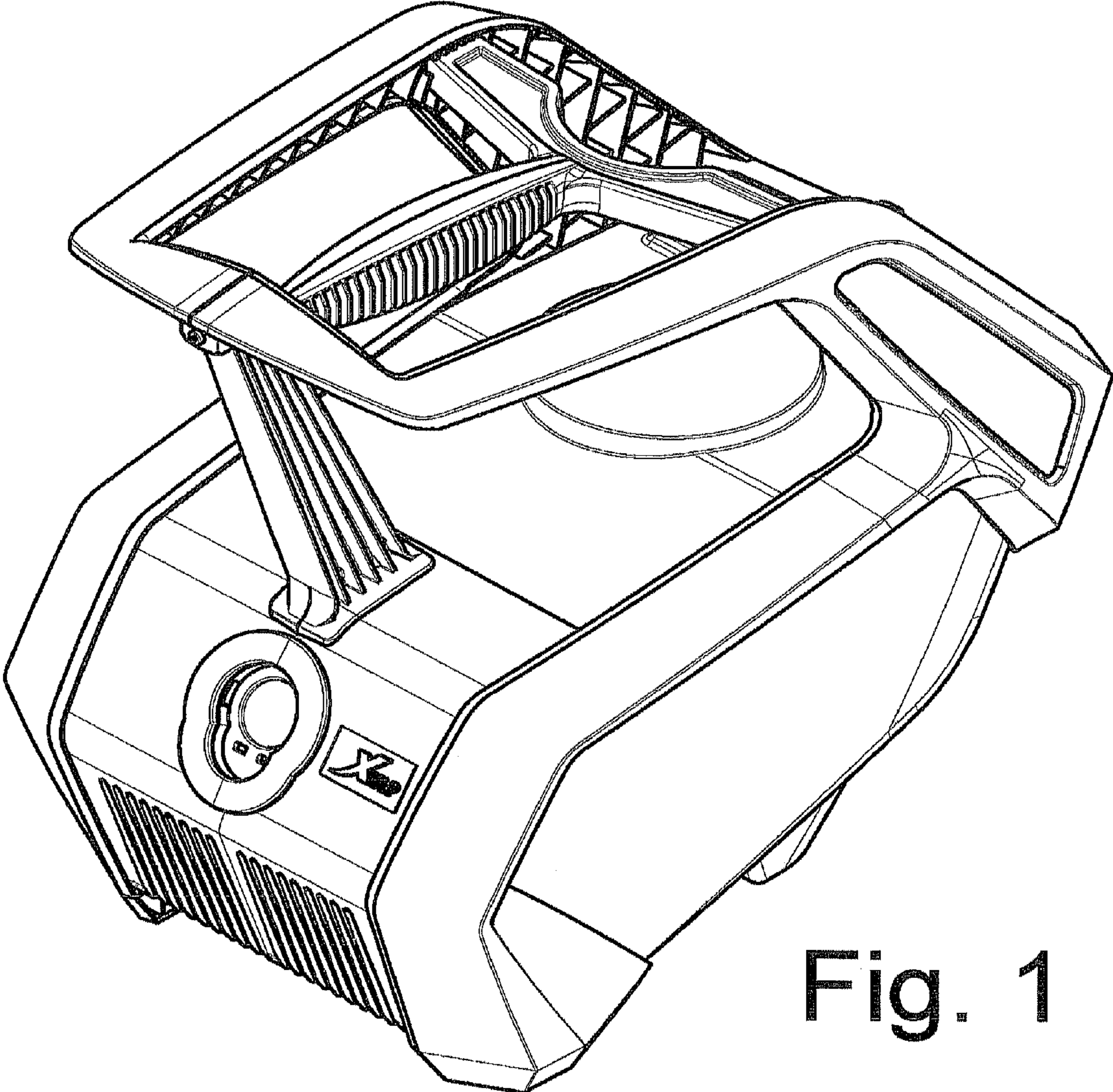


Fig. 1

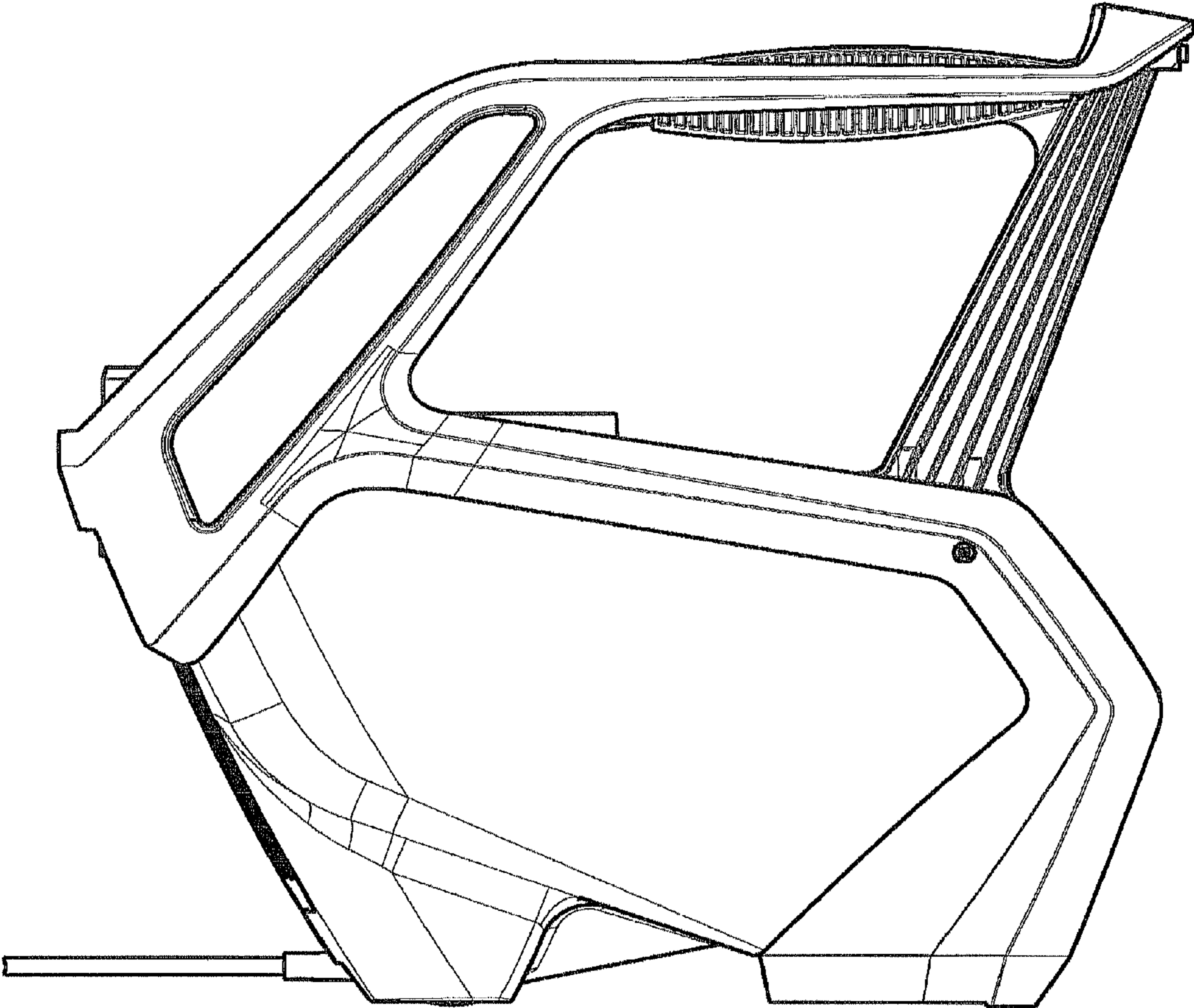
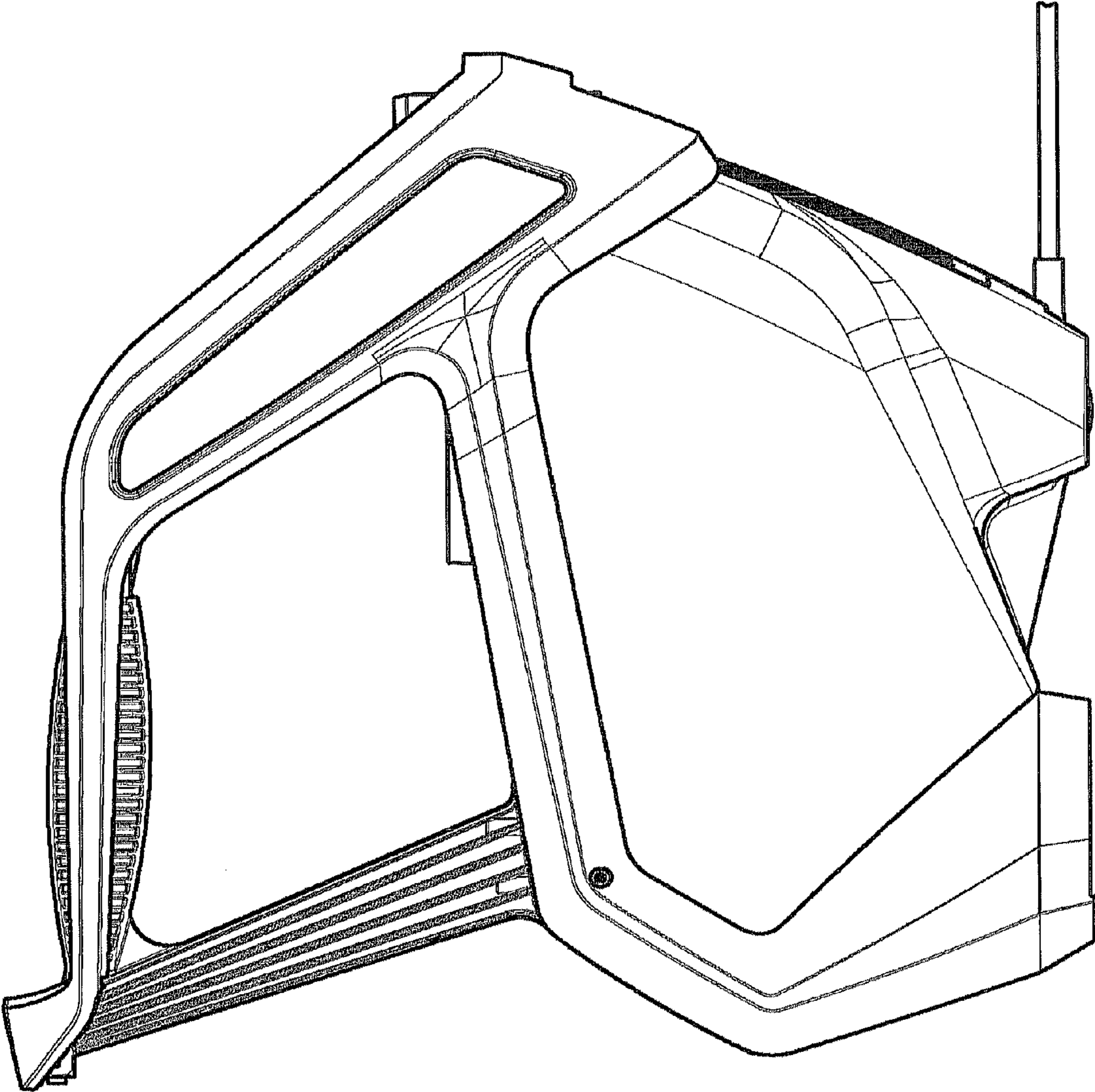


Fig. 2

Fig. 3



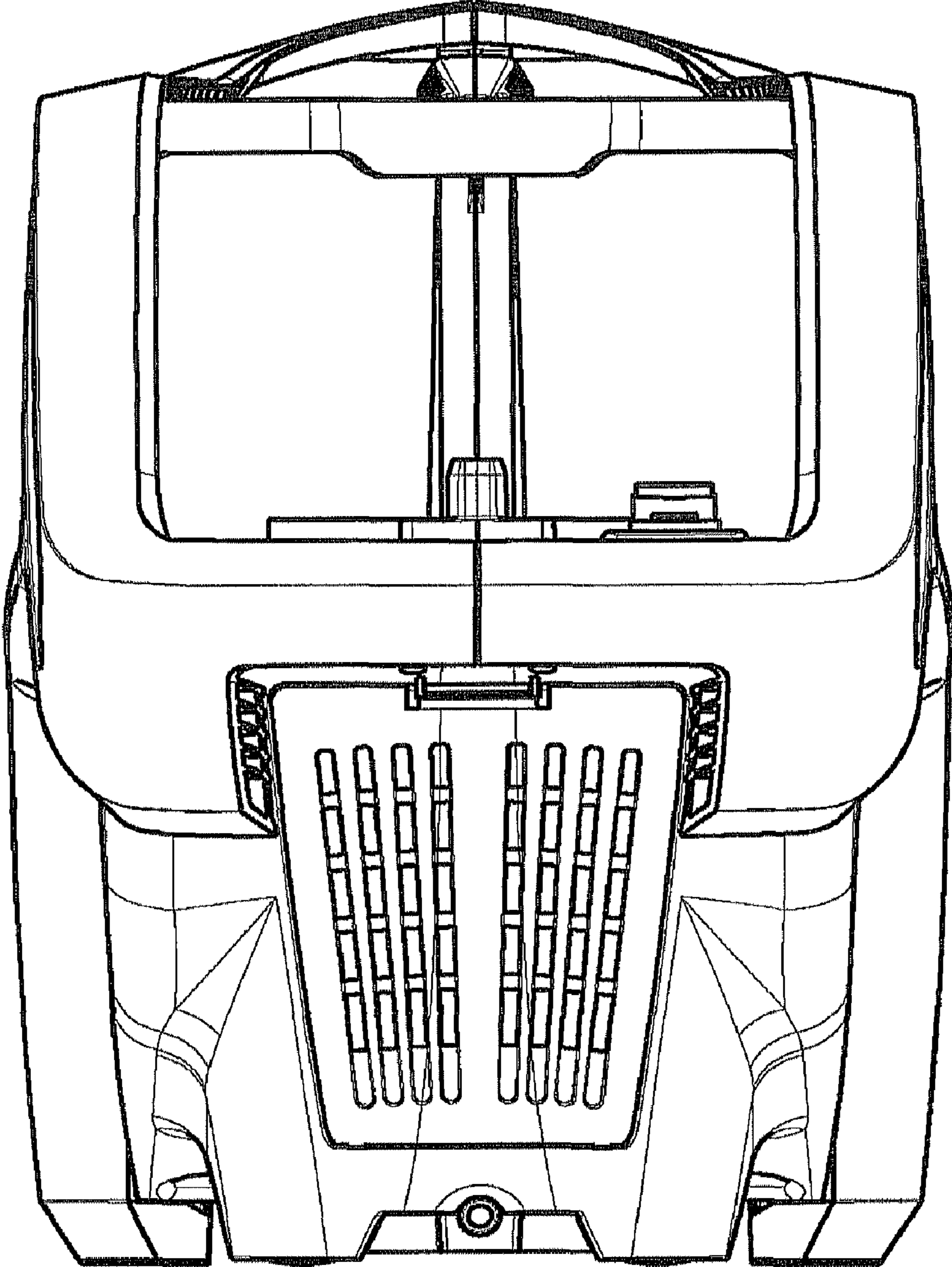


Fig. 4

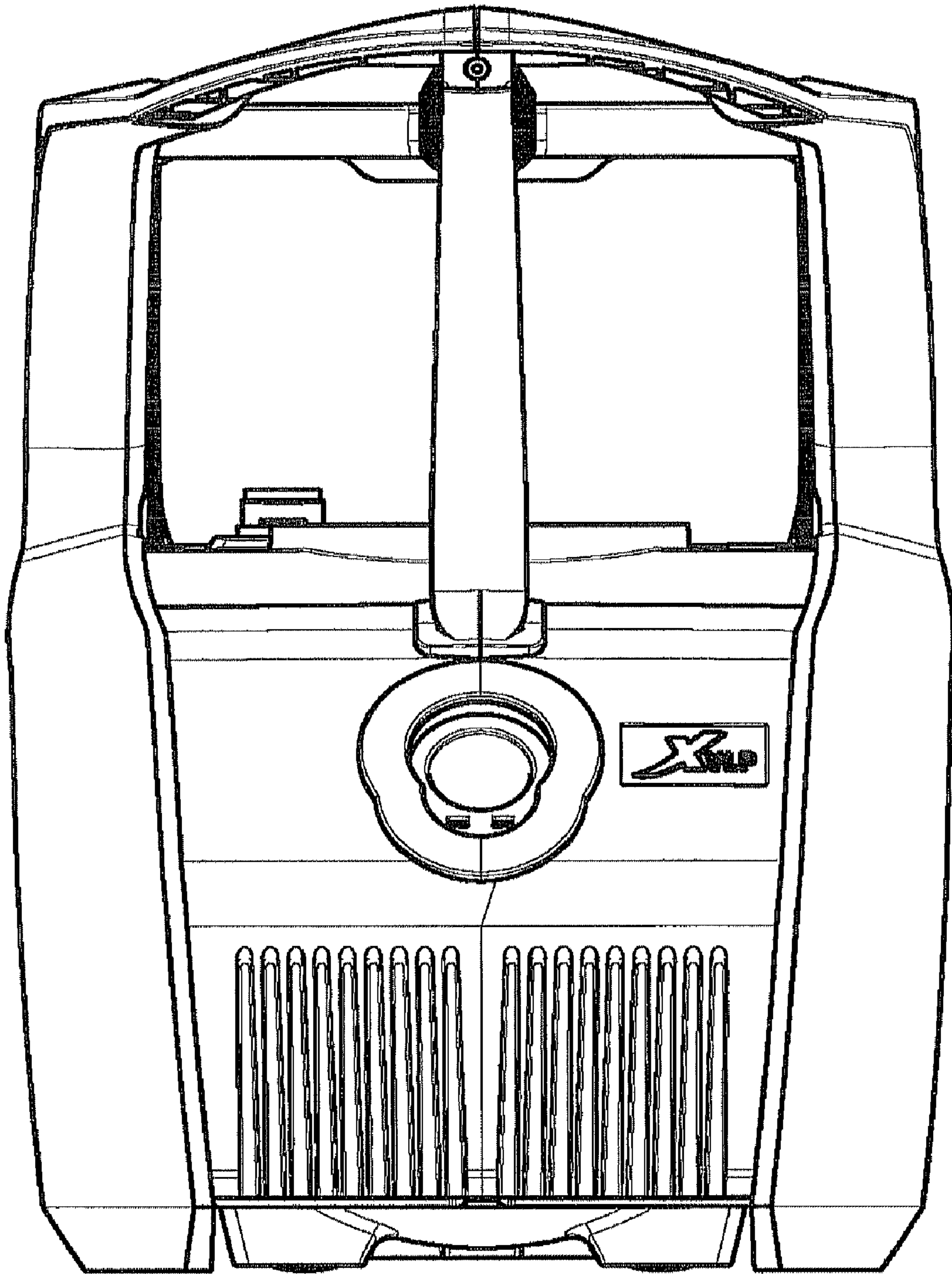


Fig. 5

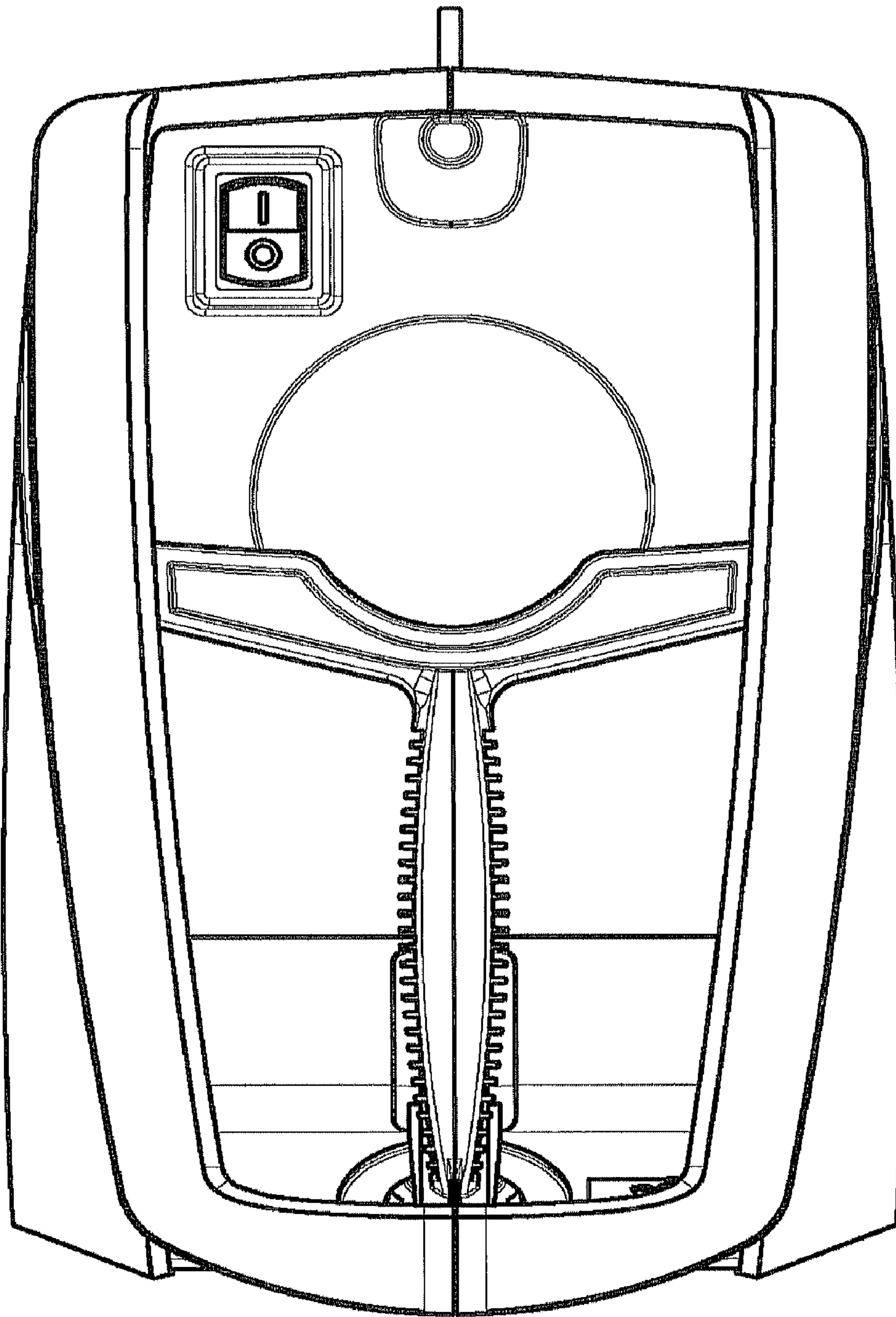


Fig. 6

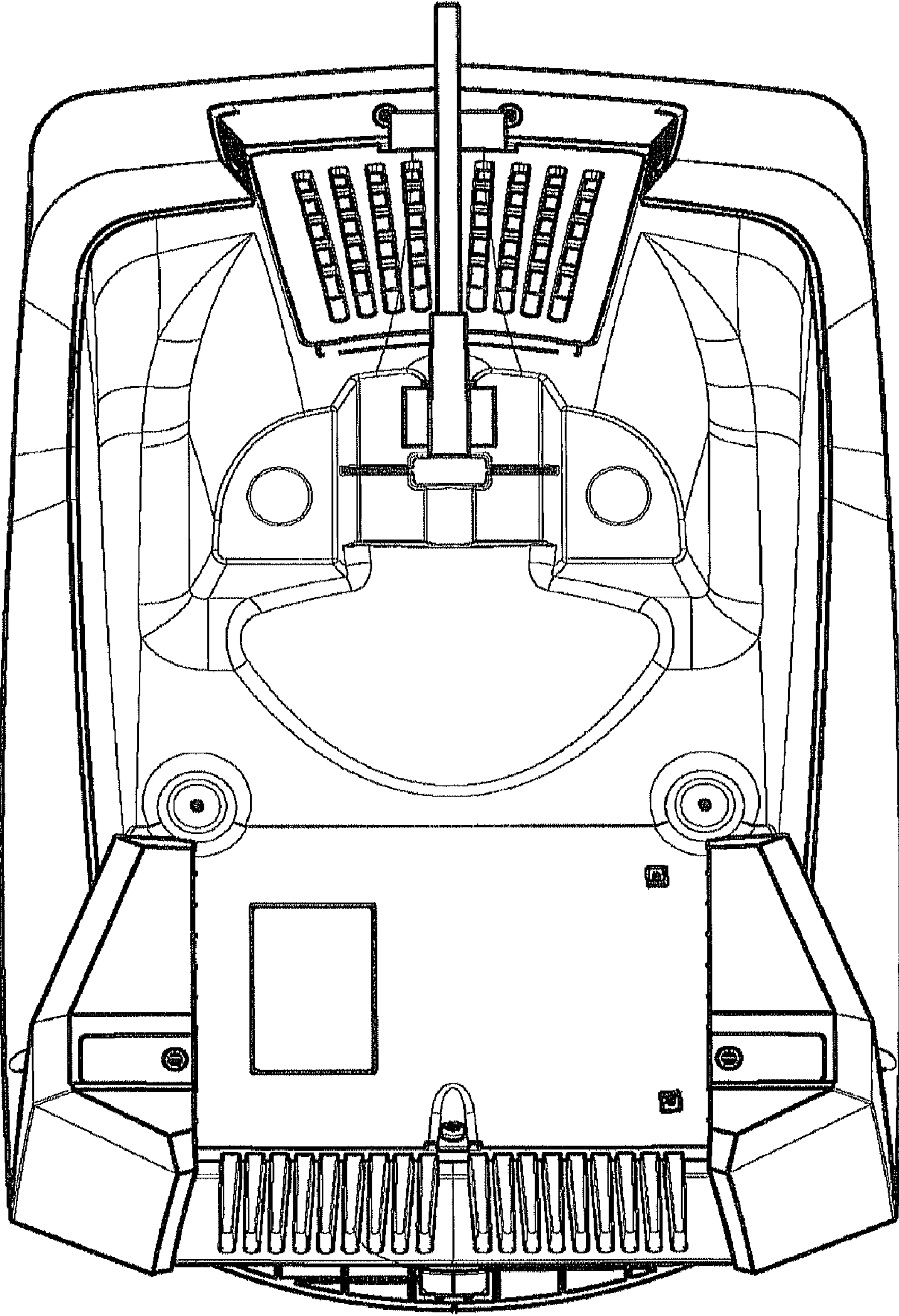


Fig. 7