



US00D671618S

(12) **United States Design Patent**
Shirataki et al.

(10) **Patent No.:** **US D671,618 S**

(45) **Date of Patent:** **** Nov. 27, 2012**

(54) **PAIR OF HOLLOW FIBER MEMBRANE
MODULE JOINTS**

FOREIGN PATENT DOCUMENTS

AU 97691 8/1987

(Continued)

(75) Inventors: **Hironobu Shirataki**, Tokyo (JP);
Naoyuki Shinohara, Tokyo (JP)

OTHER PUBLICATIONS

(73) Assignee: **Asahi Kasei Chemicals Corporation**,
Tokyo (JP)

“Viega”, advertising pamphlet, Metalloobraboka—2002 exhibition,
Oct. 14, 2002.

(**) Term: **14 Years**

(Continued)

(21) Appl. No.: **29/380,245**

Primary Examiner — Robin V Webster

(22) Filed: **Dec. 2, 2010**

(74) *Attorney, Agent, or Firm* — Greenblum & Bernstein
P.L.C.

(30) **Foreign Application Priority Data**

Jun. 14, 2010 (JP) D2010-014575

(51) **LOC (9) Cl.** **23-01**

(52) **U.S. Cl.** **D23/209**

(58) **Field of Classification Search** D23/207,
D23/209, 266, 259; 210/650, 651, 637

See application file for complete search history.

(57) **CLAIM**

I claim the ornamental design for a pair of hollow fiber mem-
brane module joints, as shown and described.

DESCRIPTION

(56) **References Cited**

U.S. PATENT DOCUMENTS

D30,318 S *	3/1899	Furlow	D23/266
D213,957 S *	4/1969	Myerly	D23/262
4,373,767 A	2/1983	Cairns		
D350,181 S *	8/1994	MacNeal	D23/207
D367,036 S	2/1996	Lee		
5,548,088 A	8/1996	Gray et al.		
D376,580 S	12/1996	Lee		
5,651,698 A	7/1997	Locati et al.		
D432,087 S	10/2000	Malak		
D432,088 S	10/2000	Malak		
D432,089 S	10/2000	Malak		
D432,090 S	10/2000	Malak		
D432,993 S	10/2000	Palinkas		
D460,047 S	7/2002	Ching		
D460,417 S	7/2002	Wood		
D470,577 S *	2/2003	Knight et al.	D23/266
D495,662 S	9/2004	Chawgo		
D509,885 S *	9/2005	Cole	D23/266
D545,406 S *	6/2007	Surinak	D23/266

(Continued)

FIG. 1 is a front elevational view of a pair of hollow fiber
membrane module joints, showing my new design;

FIG. 2 is a rear elevational view thereof;

FIG. 3 is a top plan view thereof;

FIG. 4 is a bottom plan view thereof;

FIG. 5 is right side elevational view thereof;

FIG. 6 is a left side elevational view thereof;

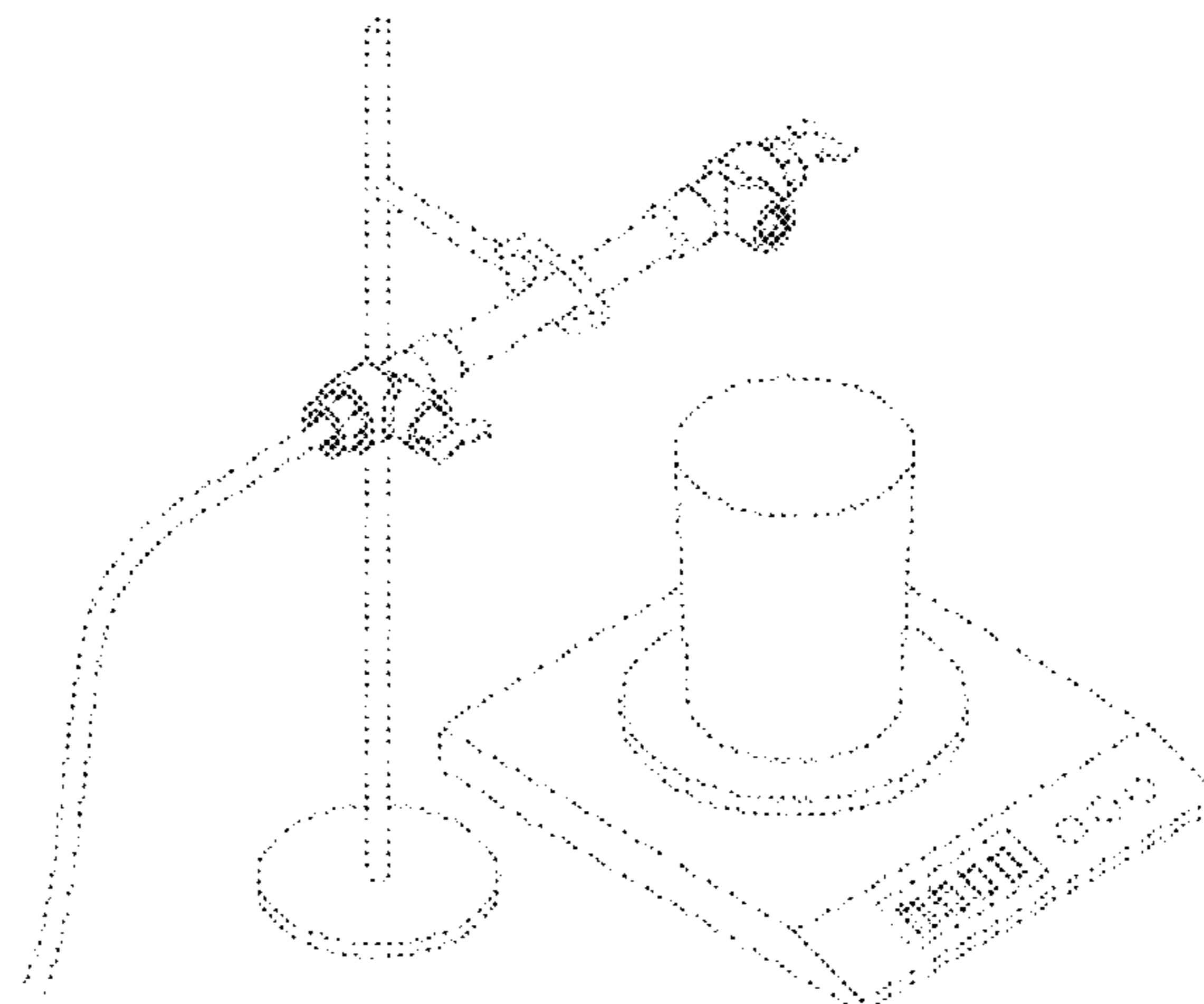
FIG. 7 is a perspective view thereof;

FIG. 8 is a sectional view taken along line A-A in FIG. 3; and,

FIG. 9 is a reference view showing the pair of hollow fiber
membrane module joints of my new design in use.

The parts shown as broken lines in the various views in the
figures form no part of the claimed design. Lines consisting of
alternating long and short dashes in the figures indicate lines
dividing my inventive design which is claimed herein from
other parts which are not claimed. The reference view FIG. 9
shows the hollow fiber membrane module of my new design
in an environment in which the hollow fiber membrane mod-
ule may be used, and is for illustrative purposes only.

1 Claim, 9 Drawing Sheets



US D671,618 S

Page 2

U.S. PATENT DOCUMENTS

D581,777 S 12/2008 Huang

FOREIGN PATENT DOCUMENTS

DE	9709914-0010	8/1998
DE	402008003859-0001	10/2008
EM	000106943-0002	3/2004
EM	000418041-0001	11/2005
EM	000774013-0001	8/2007
EM	000804935-0001	11/2007
EM	001666215-0001	3/2010
EM	001689613-0001	4/2010
FR	063790	10/2006
GB	1029581	7/1986
GB	1052804	3/1989
GB	1056519	8/1989

JP	821565	7/1991
RU	61994	3/2007
WO	051121	5/2000

OTHER PUBLICATIONS

Russia Office action, dated Apr. 22, 2011 along with an English translation thereof.

U.S. Appl. No. 29/379,977, filed Nov. 29, 2010, along with Office Action mailed Jun. 8, 2011.

Russian Office Action, mail date Jun. 1, 2011 along with an English translation thereof.

“Tiemme—Raccorderie Catalogue”, Metalloobrabotka—2009 exhibition, May 27-31, 2002.

“Vargarda” catalog, Feb. 26, 1983.

* cited by examiner

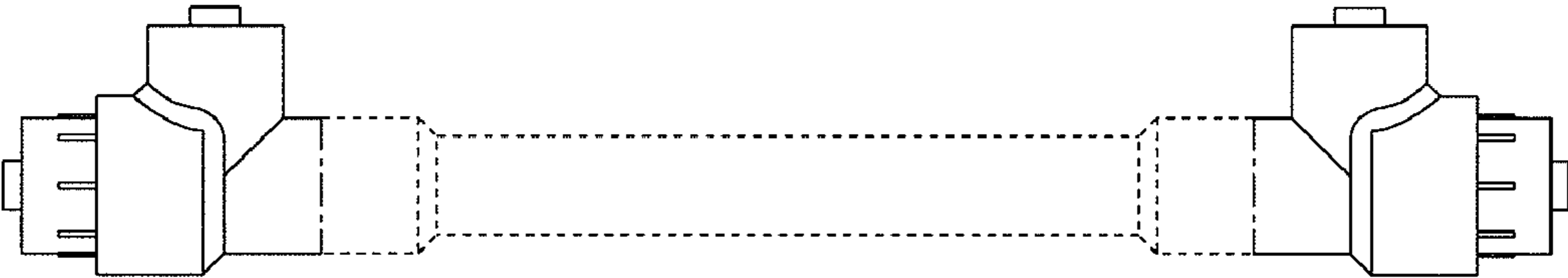


Fig. 1

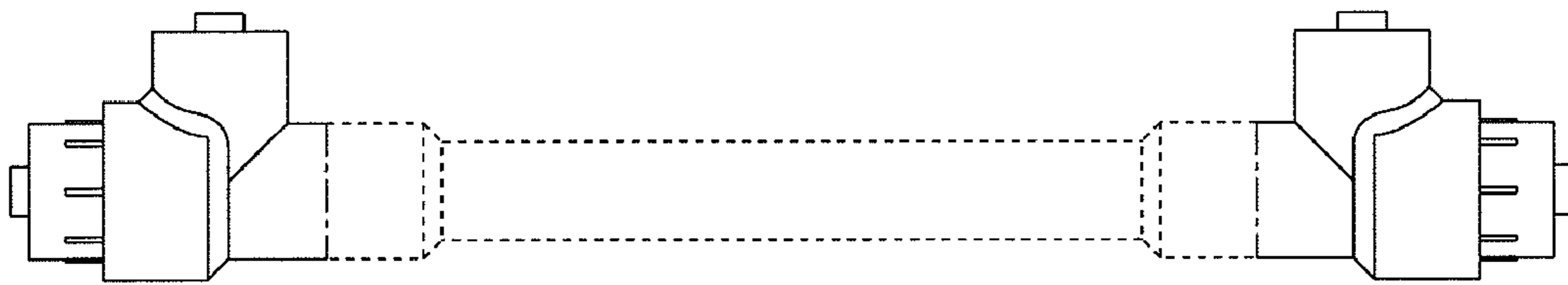


Fig.2

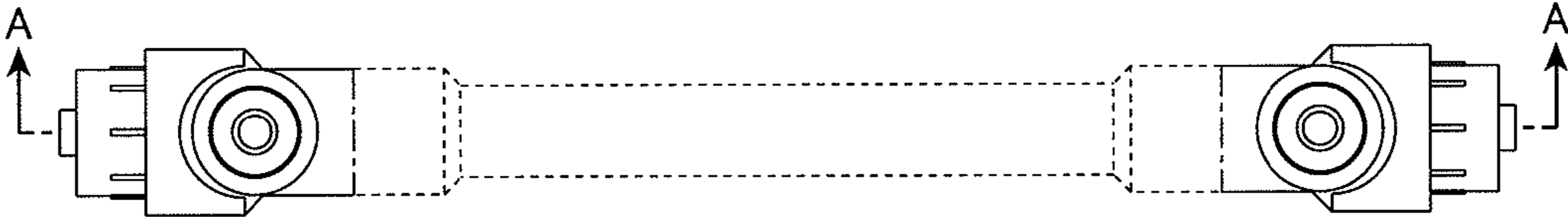


Fig.3

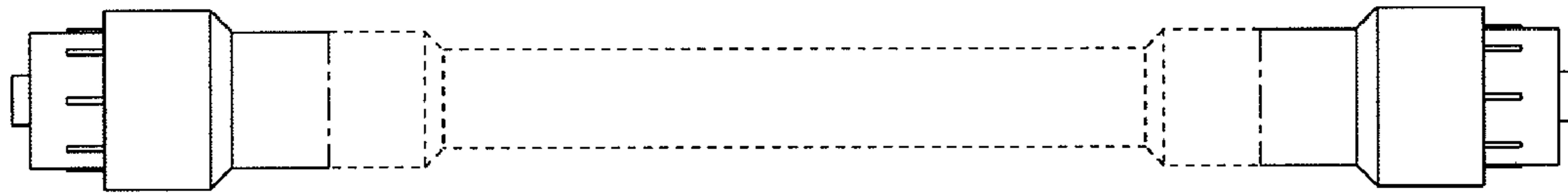


Fig.4

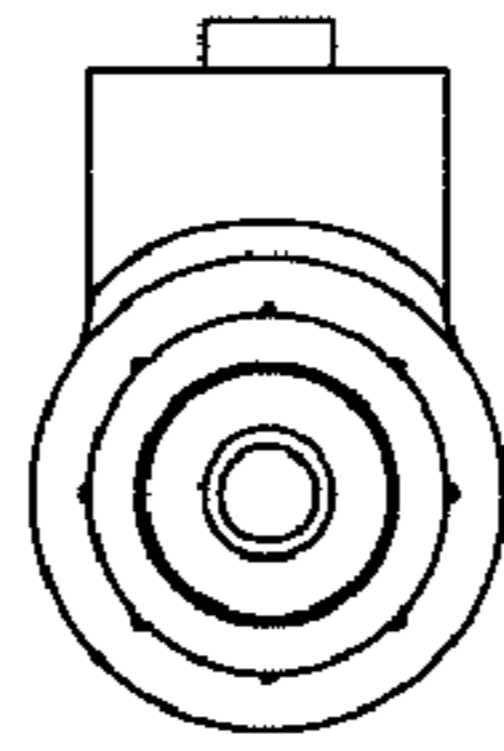


Fig.5

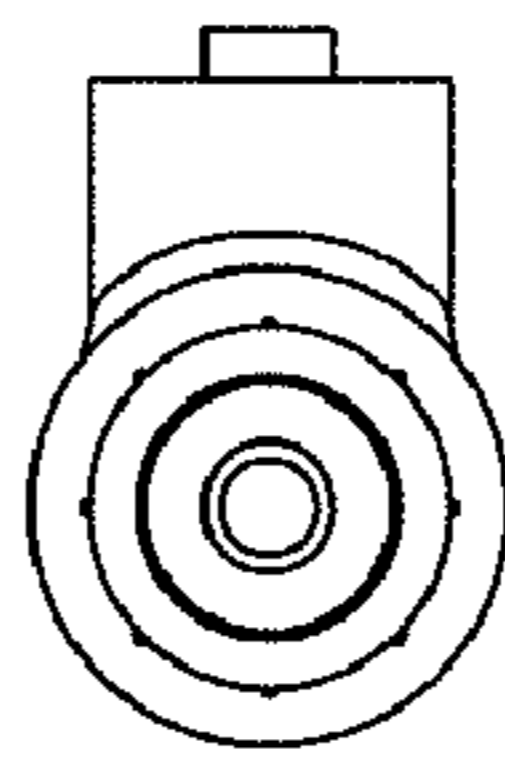


Fig.6

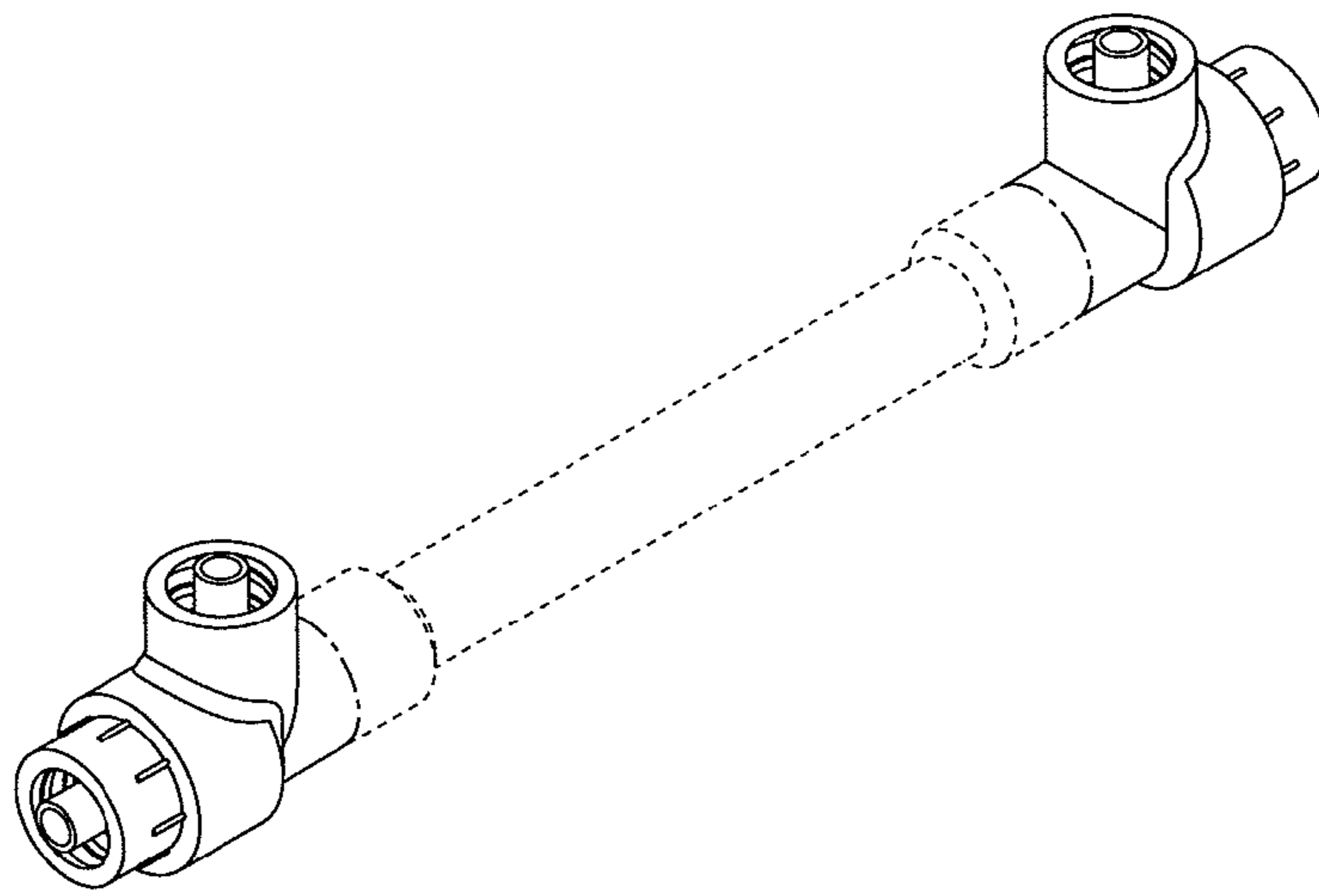


Fig.7

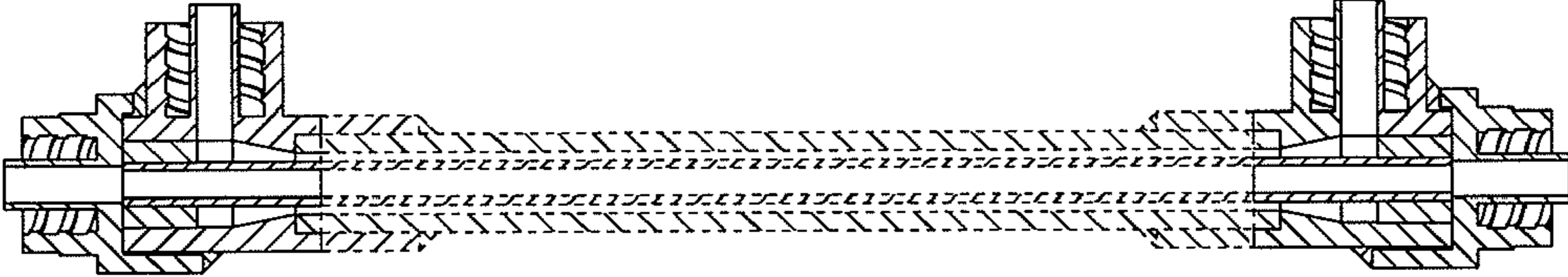


Fig. 8

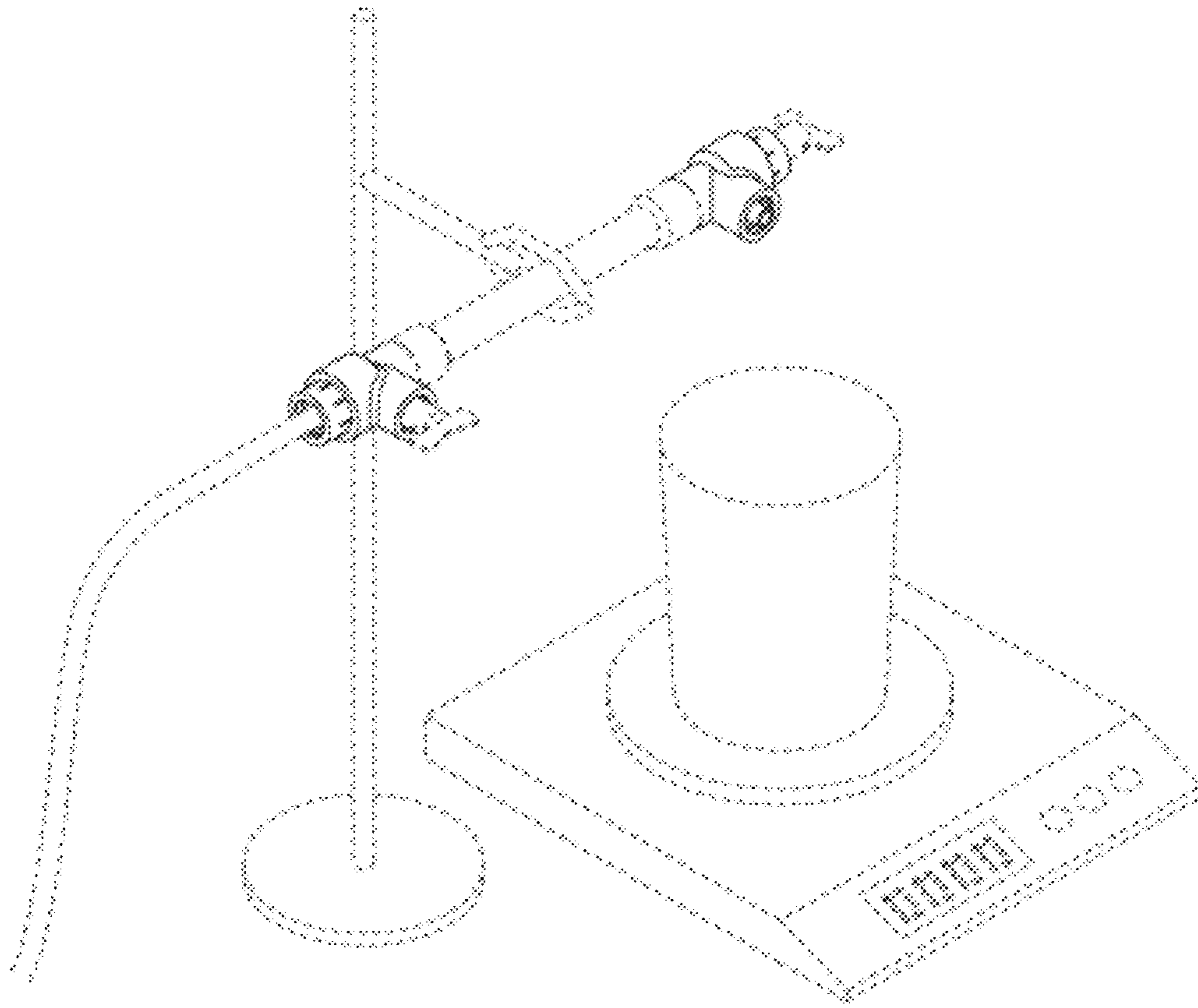


Figure 9