



US00D671616S

(12) **United States Design Patent**
Savakis

(10) **Patent No.:** **US D671,616 S**

(45) **Date of Patent:** **** Nov. 27, 2012**

- (54) **GRIP FOR ICE FISHING REEL**
- (75) Inventor: **Angelo N. Savakis**, Chagrin Falls, OH (US)
- (73) Assignee: **Reel Grip Ltd.**, Wadsworth, OH (US)
- (**) Term: **14 Years**
- (21) Appl. No.: **29/417,746**
- (22) Filed: **Apr. 9, 2012**
- (51) **LOC (9) Cl.** **22-05**
- (52) **U.S. Cl.** **D22/142**
- (58) **Field of Classification Search** D22/137-143, D22/134, 199; D8/300-305; D24/215
See application file for complete search history.

- D512,894 S * 12/2005 Nimphius D8/303
- D551,535 S * 9/2007 Wake D8/303
- D554,465 S * 11/2007 Laurienzo et al. D8/303
- D660,450 S * 5/2012 Johnson D24/215

* cited by examiner

Primary Examiner — Catheri Oliver-Garcia

(74) *Attorney, Agent, or Firm* — Porter, Wright, Morris & Arthur, LLP

(57) **CLAIM**

The ornamental design for a grip for ice fishing reel, as shown and described.

DESCRIPTION

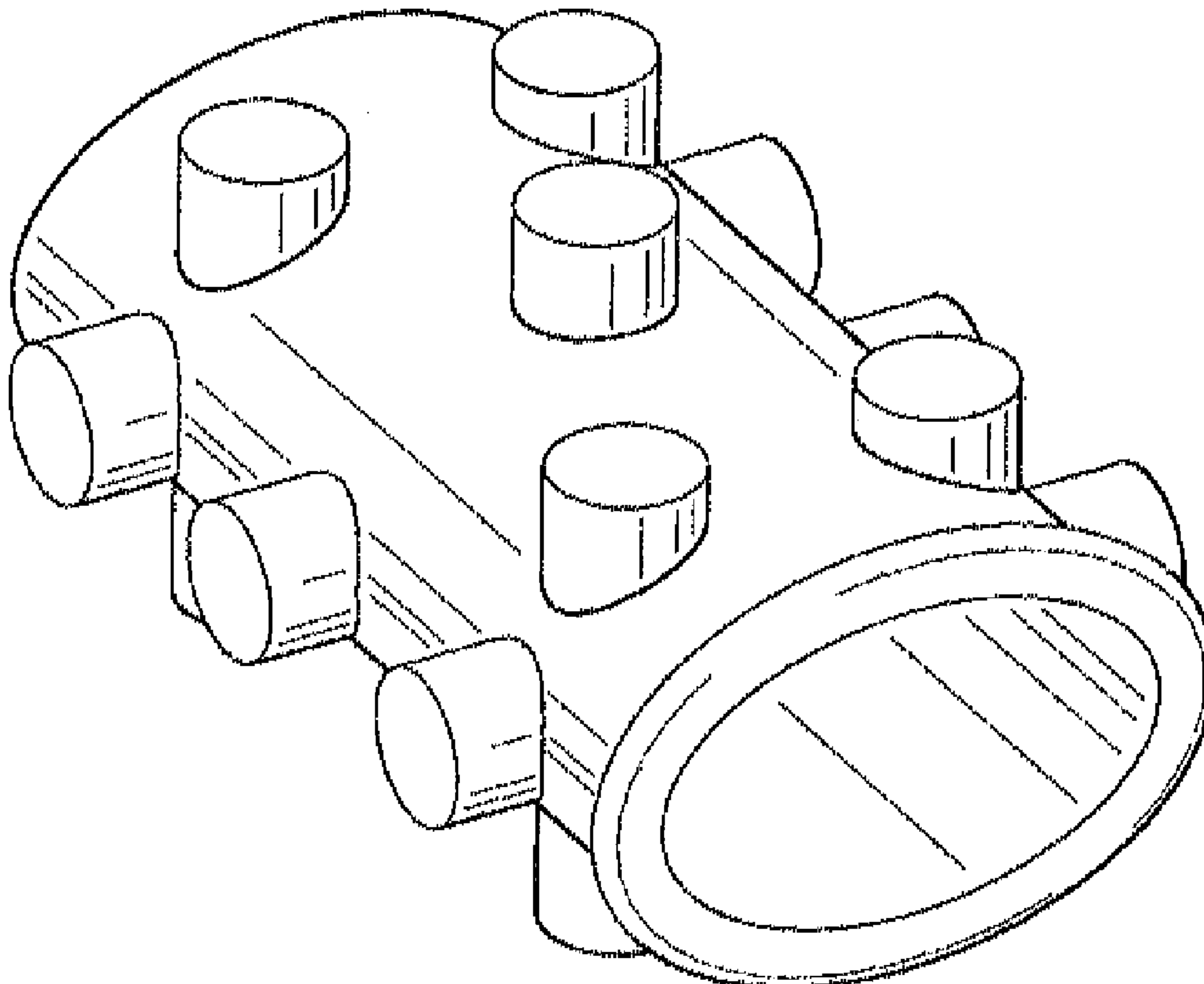
FIG. 1 is a perspective view of a grip for ice fishing reel according to my new design;
 FIG. 2 is a top view thereof;
 FIG. 3 is a front view thereof, wherein the rear view is the same;
 FIG. 4 is a bottom view thereof; and,
 FIG. 5 is a right side view thereof, wherein the left side view is the same.

1 Claim, 3 Drawing Sheets

(56) **References Cited**

U.S. PATENT DOCUMENTS

- D324,478 S * 3/1992 Baer D8/303
- D331,617 S * 12/1992 Onishi D22/142
- D361,695 S * 8/1995 Sutker D8/303
- D363,756 S * 10/1995 DiGrazia D22/142



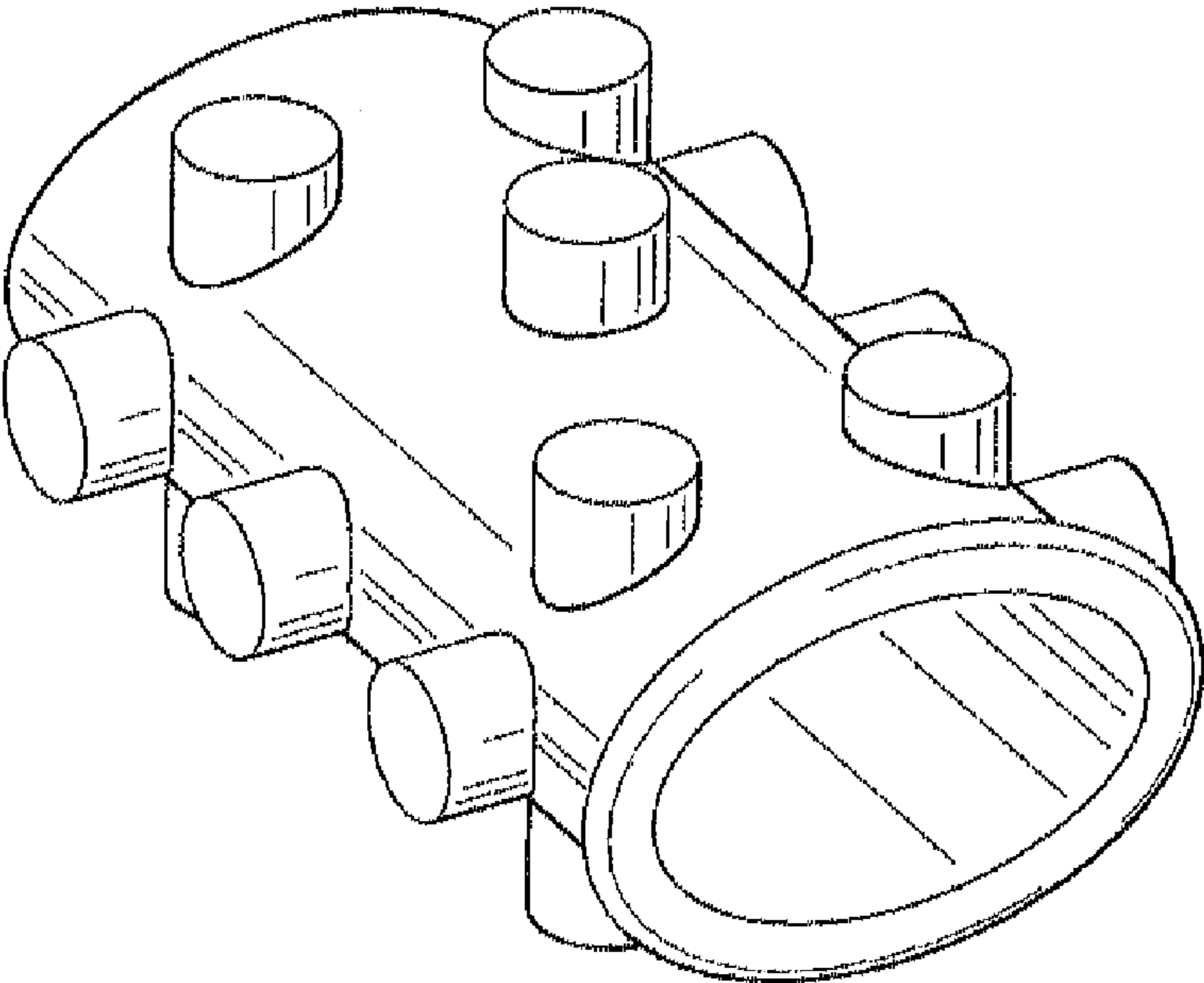


FIG. 1

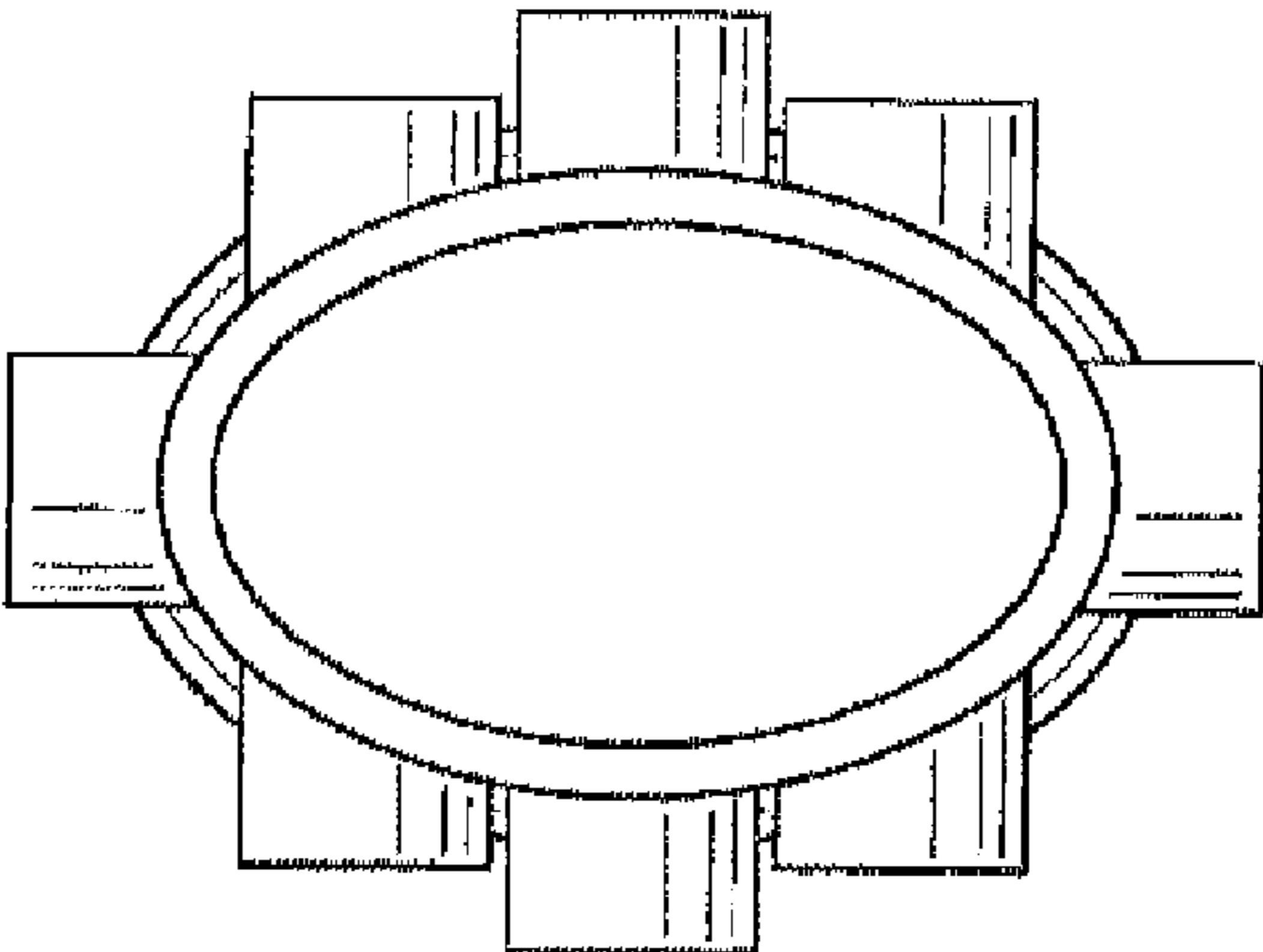


FIG. 2

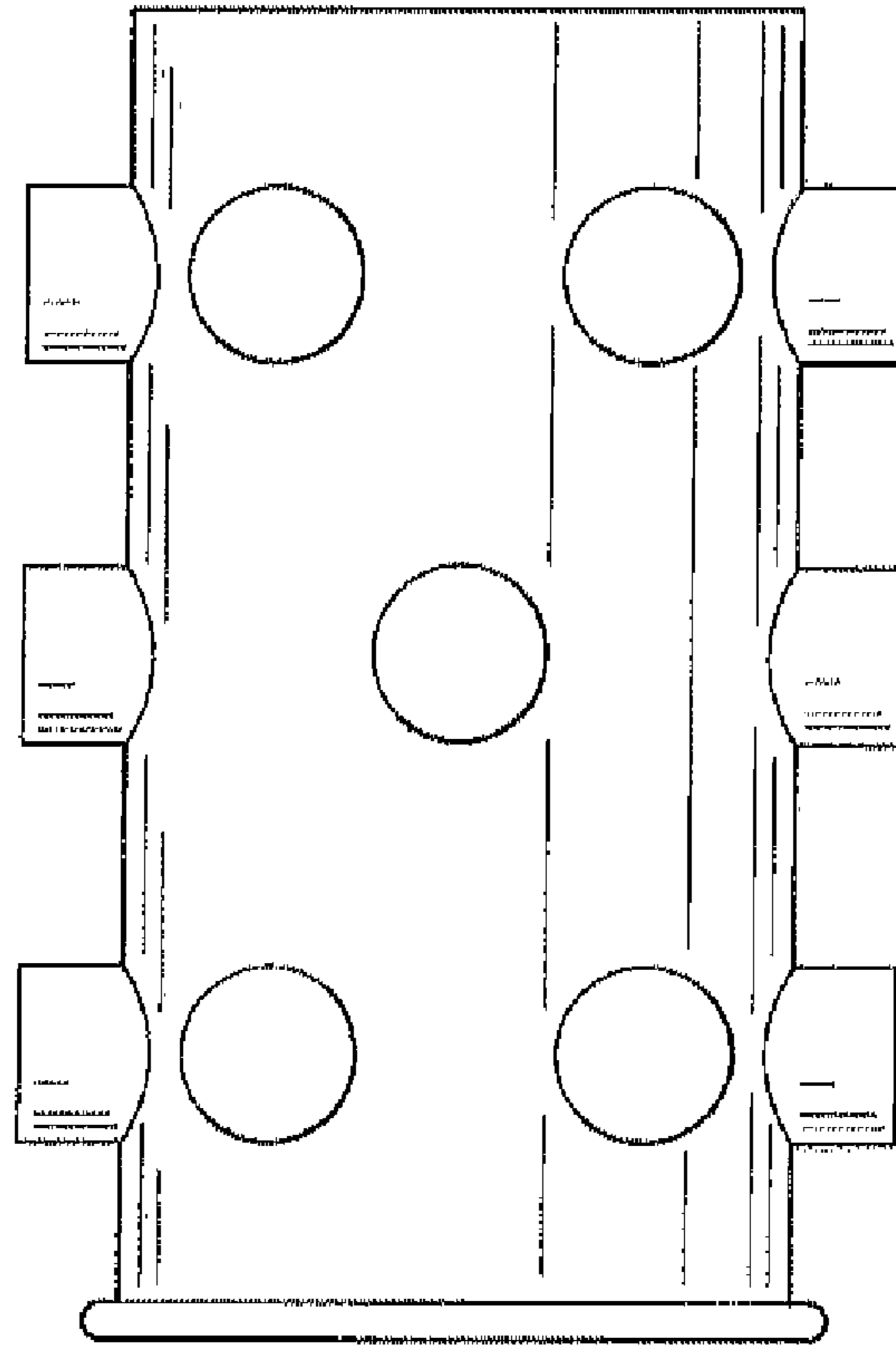


FIG. 3

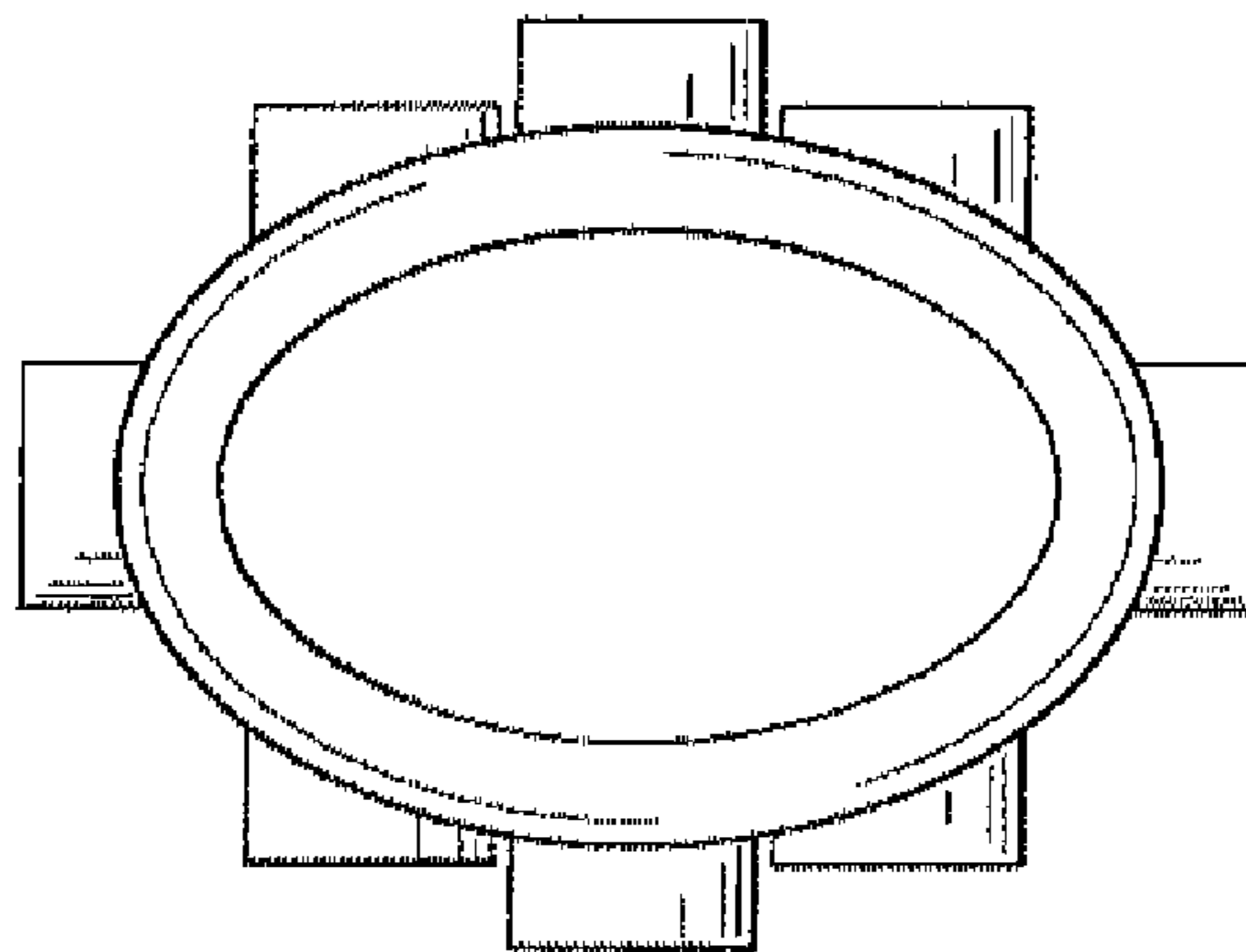


FIG. 4

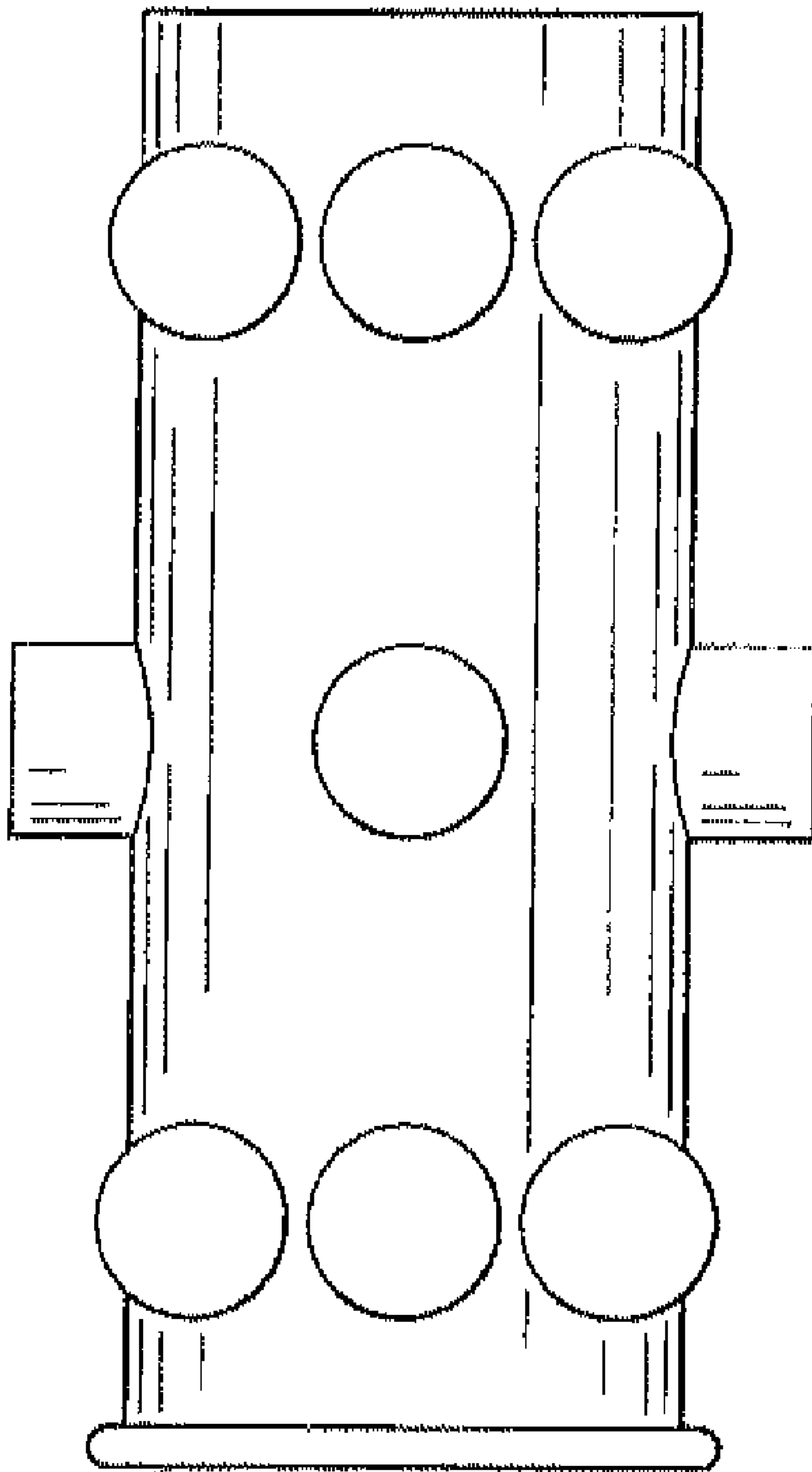


FIG. 5