



US00D671613S

(12) **United States Design Patent**
Tabb

(10) **Patent No.:** **US D671,613 S**

(45) **Date of Patent:** **** Nov. 27, 2012**

(54) **PROJECTILE FOR LAUNCHING A ROPE
FROM A FIREARM**

7,296,375 B2 * 11/2007 Brunn 42/105
7,412,975 B2 * 8/2008 Dillon, Jr. 124/71
7,481,167 B2 * 1/2009 Engel et al. 102/451

(76) Inventor: **Walter C. Tabb**, Coram, MT (US)

OTHER PUBLICATIONS

Bridger Line Throwing Gun, Naval Company Inc., downloaded from
www.navalcompany.com/navalproducts.html on Sep. 2, 2011, 3
pages.

(**) Term: **14 Years**

* cited by examiner

(21) Appl. No.: **29/402,458**

(22) Filed: **Sep. 23, 2011**

Primary Examiner — Michael A Pratt

(51) **LOC (9) Cl.** **22-03**

(74) *Attorney, Agent, or Firm* — Joseph P. Curtin, LLC

(52) **U.S. Cl.** **D22/115**

(58) **Field of Classification Search** D22/115–116;
86/1.1, 16, 54–57; 441/85; D29/128; 42/105;
102/473–481, 511–529, 501–510

(57) **CLAIM**

I claim the ornamental design for a projectile for launching a
rope from a firearm, as shown and described.

See application file for complete search history.

DESCRIPTION

(56) **References Cited**

U.S. PATENT DOCUMENTS

896,037	A *	8/1908	Neely	441/85
1,443,121	A *	1/1923	Fogg	441/85
3,496,580	A *	2/1970	Gulmon	441/85
3,726,226	A *	4/1973	Grandy	102/334
4,077,349	A	3/1978	Paul	
4,330,142	A *	5/1982	Paini	285/256
4,332,234	A	6/1982	Allen	
4,505,179	A	3/1985	Nelson et al.	
4,778,424	A *	10/1988	Lloyd	441/85
4,799,906	A	1/1989	Perkins, Jr.	
5,060,413	A *	10/1991	Garcia	43/19
5,261,616	A *	11/1993	Crane et al.	242/445.1
5,584,736	A	12/1996	Salvemini	
5,690,524	A	11/1997	Salvemini	
5,811,713	A	9/1998	Gudgel	
5,895,300	A	4/1999	Borrelli	
RE36,965	E	11/2000	Salvemini	
6,196,597	B1 *	3/2001	Karnes	285/331
6,379,207	B1	4/2002	Castagner et al.	
6,398,606	B1	6/2002	Borelli	

FIG. 1 is a top view of a projectile for launching a rope from
a firearm according to the subject matter disclosed herein;
FIG. 2 is a side view of a projectile for launching a rope from
a firearm according to the subject matter disclosed herein;
FIG. 3 is a right-end view of a projectile for launching a rope
from a firearm according to the subject matter disclosed
herein;

FIG. 4 is a left-end view of a projectile for launching a rope
from a firearm according to the subject matter disclosed
herein;

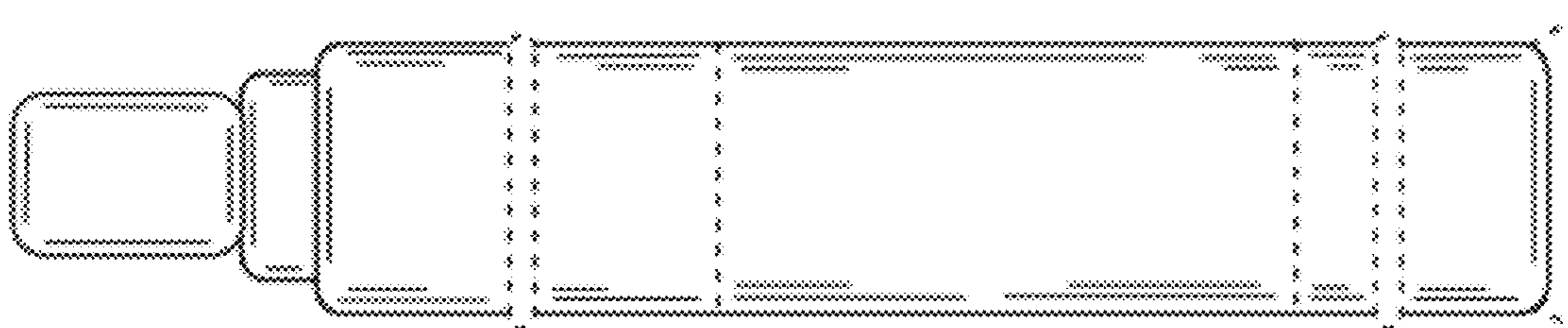
FIG. 5 is top view of a projectile for launching a rope from a
firearm according to the subject matter disclosed herein with
a depiction of a rope attached to the device; and,

FIG. 6 is side view of a projectile for launching a rope from a
firearm according to the subject matter disclosed herein with
a depiction of a rope attached to the device.

The ornamental design, which is claimed, is shown in solid
lines in the drawings.

Shapes shown in broken lines are for illustrative purposes
only and form no part of the claimed design.

1 Claim, 2 Drawing Sheets



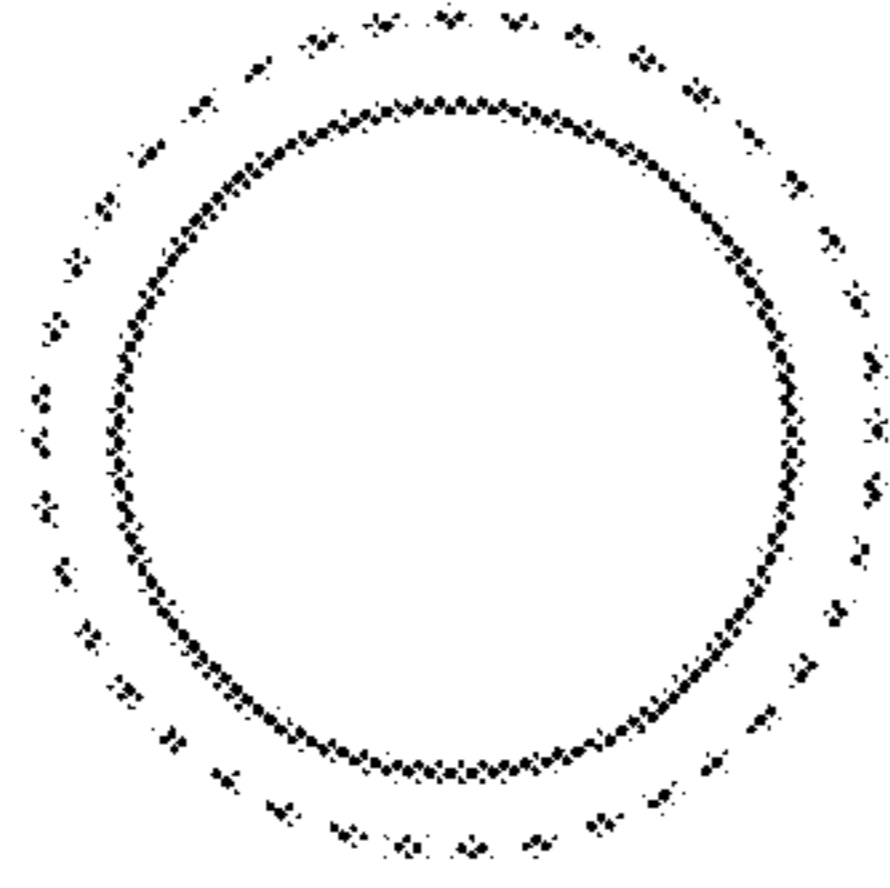


FIG. 3

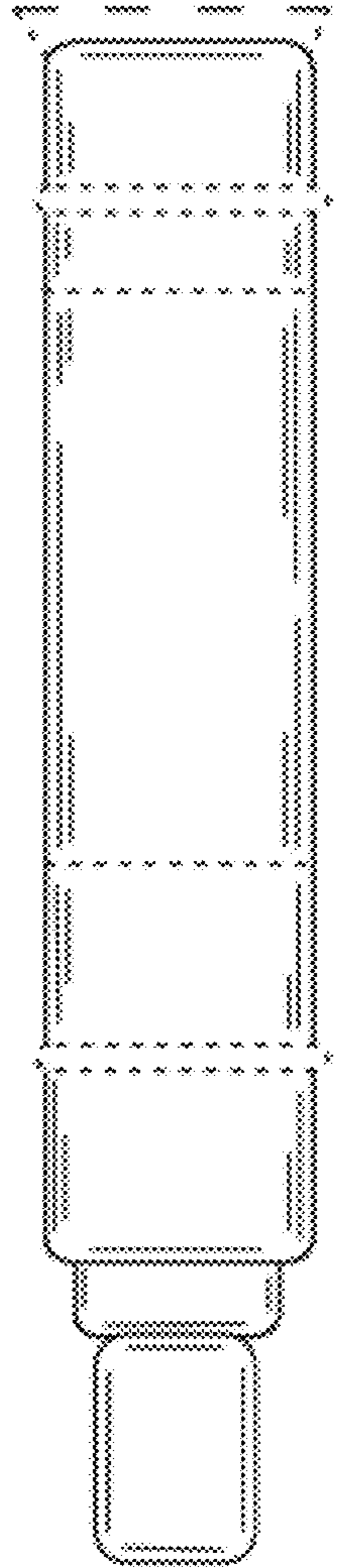


FIG. 1

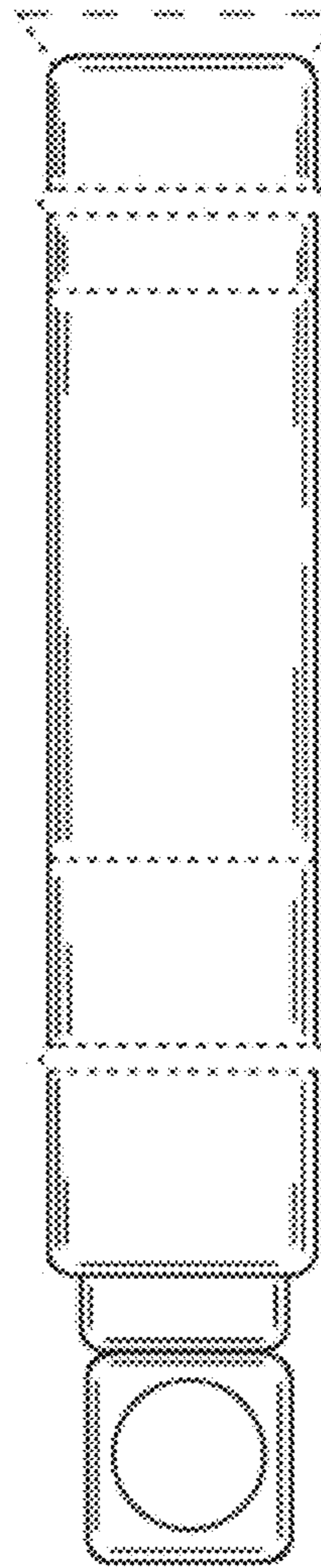


FIG. 2

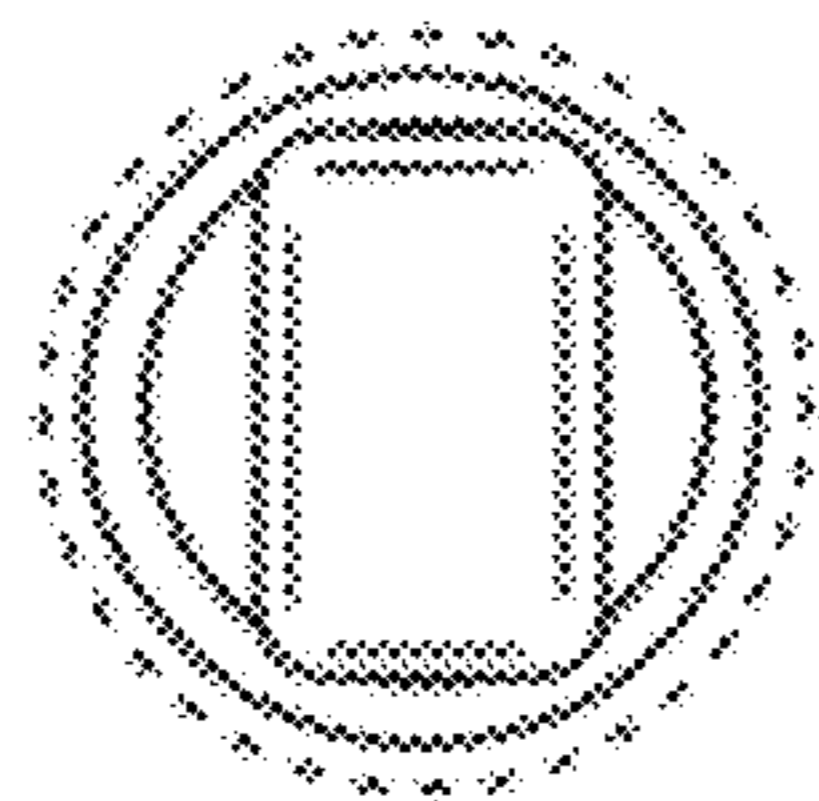


FIG. 4

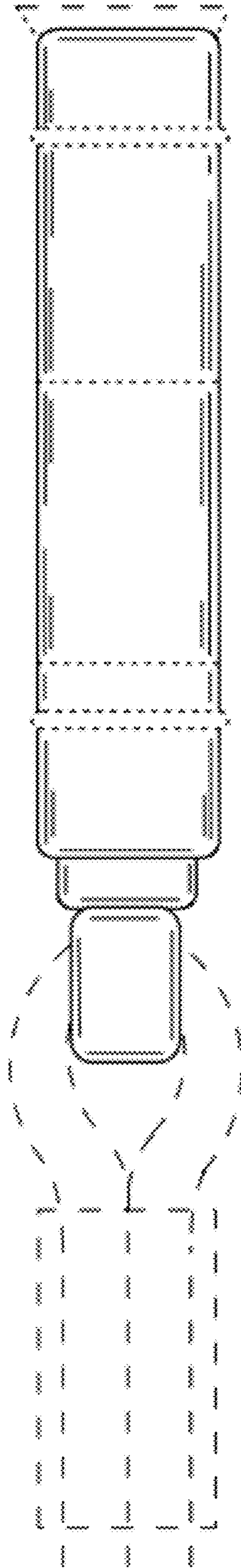


FIG. 5

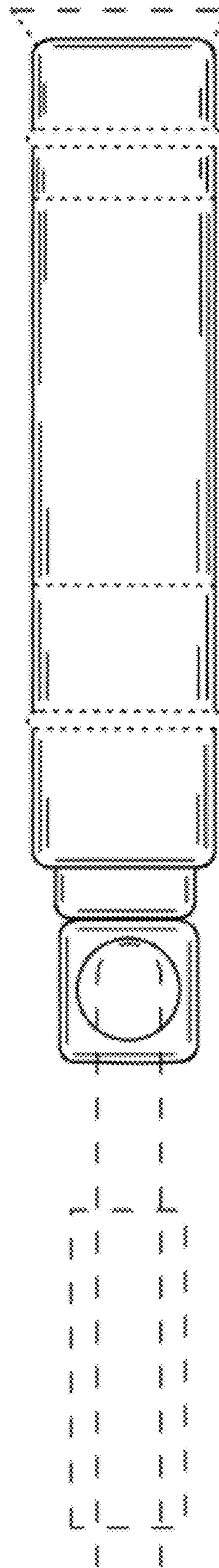


FIG. 6