



US00D671611S

(12) **United States Design Patent**  
**Trusty**

(10) **Patent No.:** **US D671,611 S**

(45) **Date of Patent:** **\*\* Nov. 27, 2012**

(54) **LOW PROFILE MOUNT FOR A FIREARM**

(76) Inventor: **Jason G. Trusty**, Portage, IN (US)

(\*\*) Term: **14 Years**

(21) Appl. No.: **29/388,874**

(22) Filed: **Apr. 4, 2011**

6,536,154	B1 *	3/2003	Norris	42/85
7,069,624	B2 *	7/2006	Johnson	24/302
7,562,481	B2 *	7/2009	Esch	42/85
7,654,028	B1 *	2/2010	Grover	42/85
7,814,697	B2 *	10/2010	Esch	42/85
D644,706	S *	9/2011	Trusty	D22/108
D652,470	S *	1/2012	Trusty	D22/108
D652,887	S *	1/2012	Trusty	D22/108
D655,776	S *	3/2012	Trusty	D22/108

\* cited by examiner

**Related U.S. Application Data**

(62) Division of application No. 29/355,382, filed on Feb. 5, 2010, now Pat. No. Des. 644,706.

(51) **LOC (9) Cl.** ..... **22-01**

(52) **U.S. Cl.** ..... **D22/108**

(58) **Field of Classification Search** ..... D22/100,  
D22/101, 103, 104, 108, 199; D21/572,  
D21/573; 42/51, 71.01, 75.01, 75.02, 90,  
42/94, 134, 136, 139, 125, 72, 111; 362/110;  
89/40.06, 41.19, 37.04, 33.04, 191.01, 200-204;  
124/67, 66, 72, 74

See application file for complete search history.

*Primary Examiner* — Michael A Pratt

(74) *Attorney, Agent, or Firm* — Carlson, Gaskey & Olds P.C.

(57) **CLAIM**

I claim the ornamental design for the low profile mount for a firearm, as shown and described.

**DESCRIPTION**

FIG. 1 is a perspective view of a low profile mount for a firearm;

FIG. 2 is a first perspective view of a low profile mount for a firearm;

FIG. 3 is another perspective view of a low profile mount for a firearm;

FIG. 4 is a top view of a low profile mount for a firearm;

FIG. 5 is a first side view of a low profile mount for a firearm;

FIG. 6 is a second side view of a low profile mount for a firearm;

FIG. 7 is a first end view of a low profile mount for a firearm;

FIG. 8 is a second end view of a low profile mount for a firearm; and,

FIG. 9 is a bottom view of a low profile mount for a firearm.

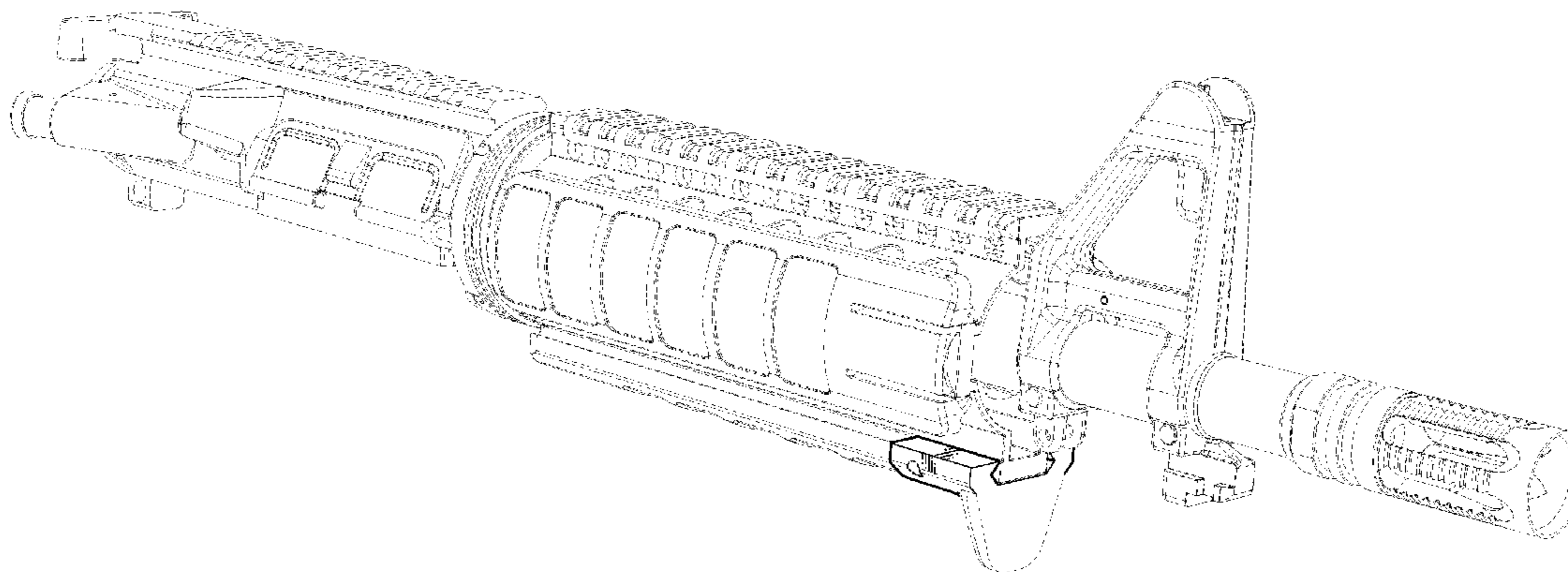
The broken lines in the drawings represent environmental subject matter and form no part of the claimed design.

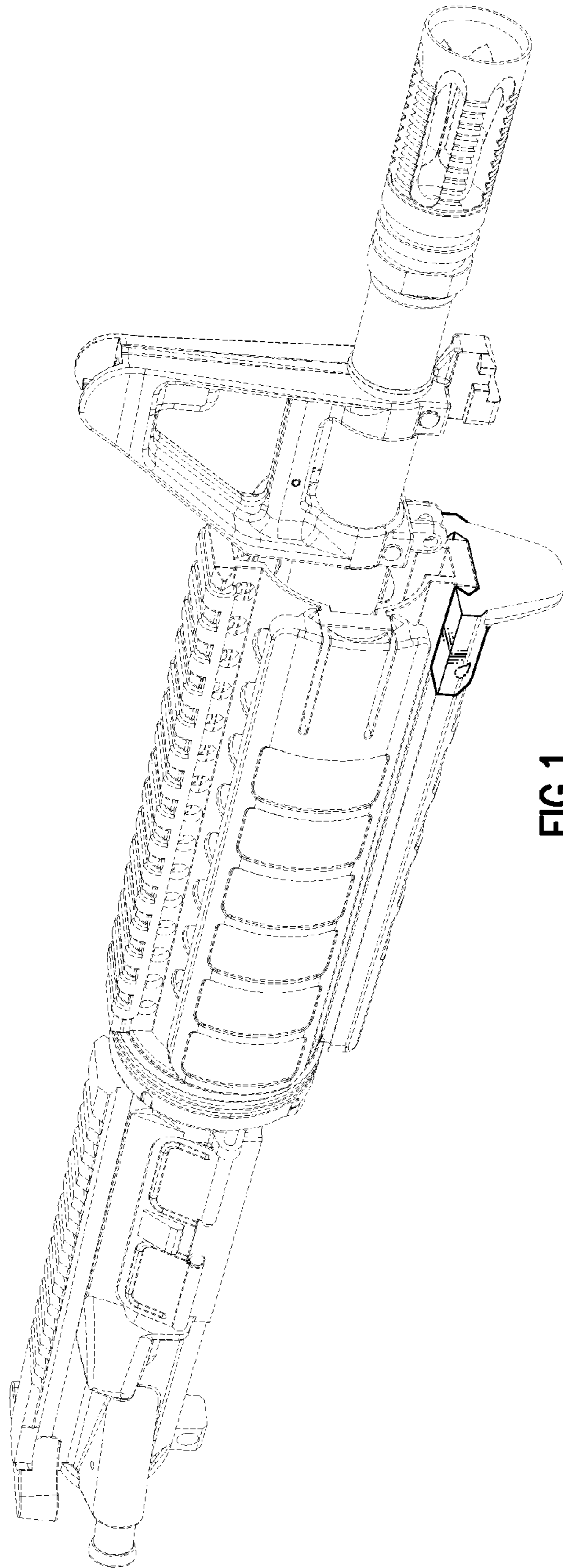
(56) **References Cited**

**U.S. PATENT DOCUMENTS**

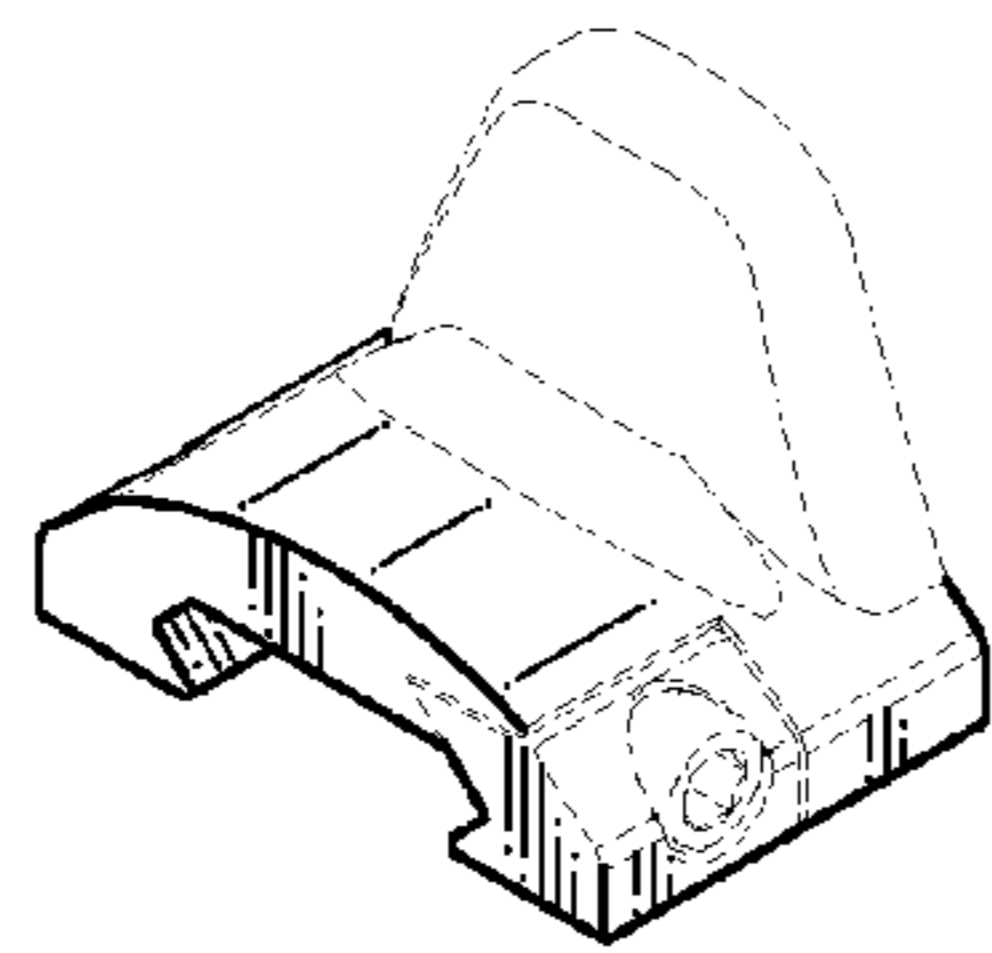
2,480,662	A *	8/1949	McKinzie	42/85
3,226,872	A *	1/1966	Pachmayr	42/85
3,704,537	A *	12/1972	McKinzie	42/85
4,454,675	A *	6/1984	Ives	42/85
4,571,872	A *	2/1986	Johnson	42/85
4,841,658	A *	6/1989	Katsenes	42/85
4,924,615	A *	5/1990	Ives	42/85
D317,810	S *	6/1991	Rightnour	D22/108
5,067,267	A *	11/1991	Ives	42/85
D444,201	S *	6/2001	Norris, Sr.	D22/108
6,354,034	B1 *	3/2002	Norris, Sr.	42/85
D455,191	S *	4/2002	Norris, Sr.	D22/108
D460,799	S *	7/2002	Norris	D22/108

**1 Claim, 2 Drawing Sheets**

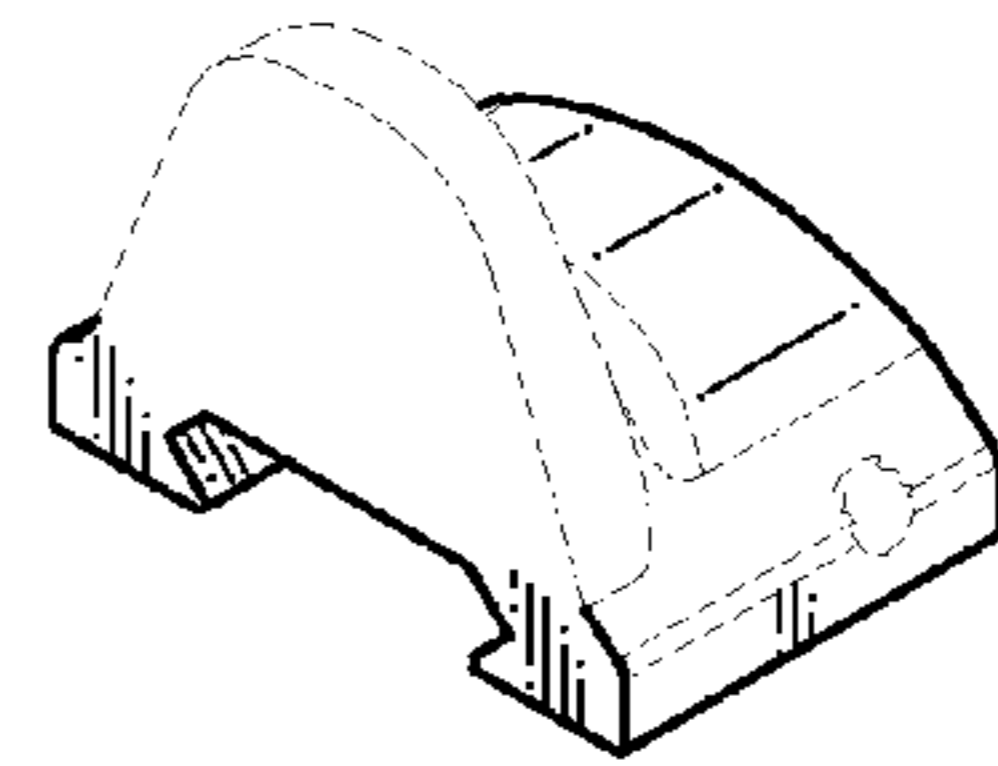




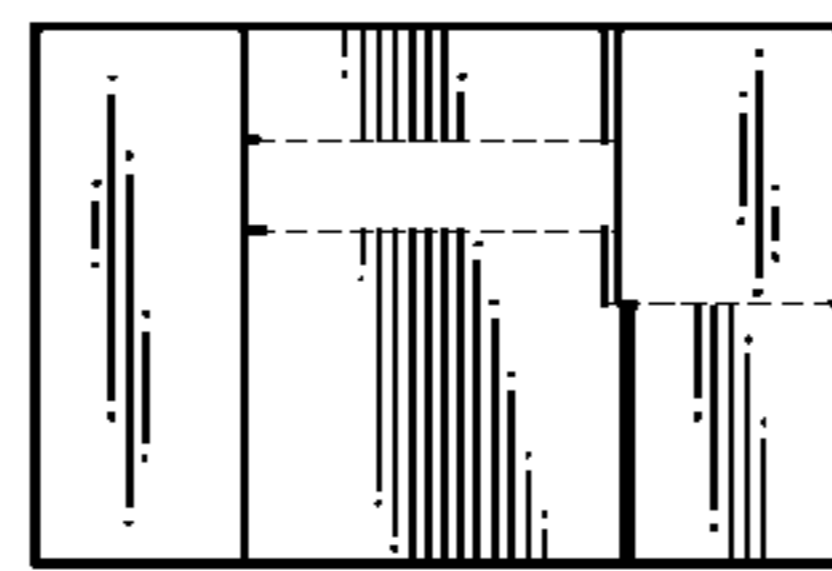
**FIG.1**



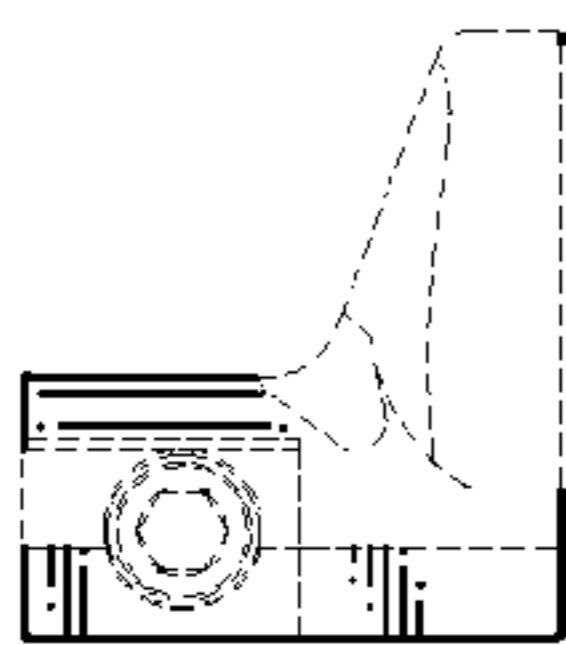
**FIG. 2**



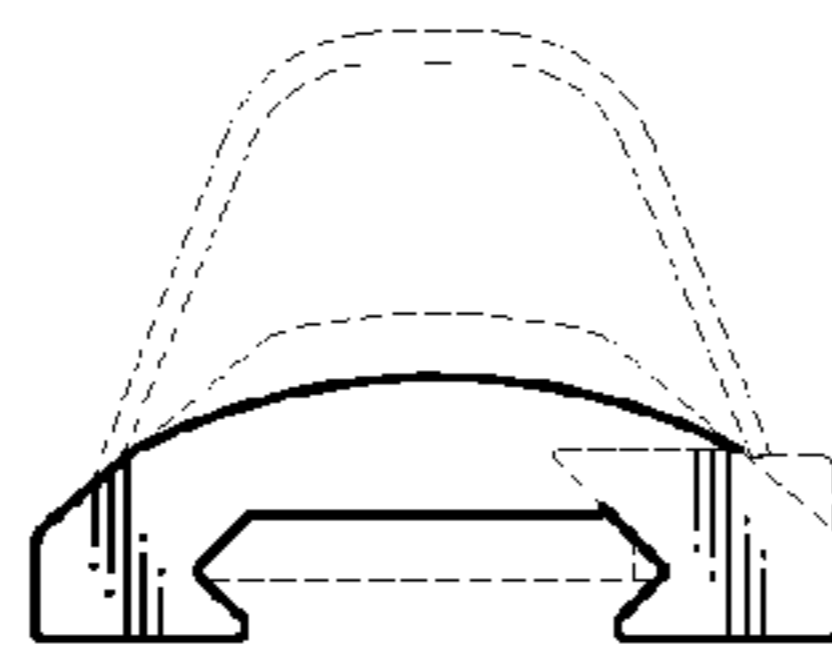
**FIG. 3**



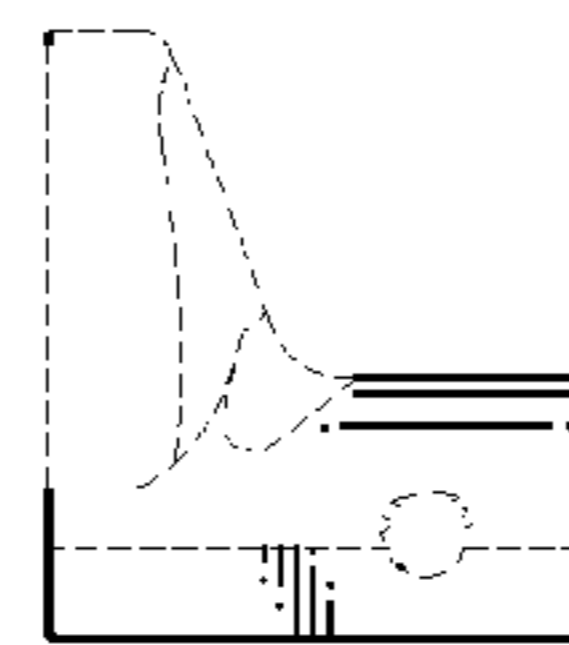
**FIG. 9**



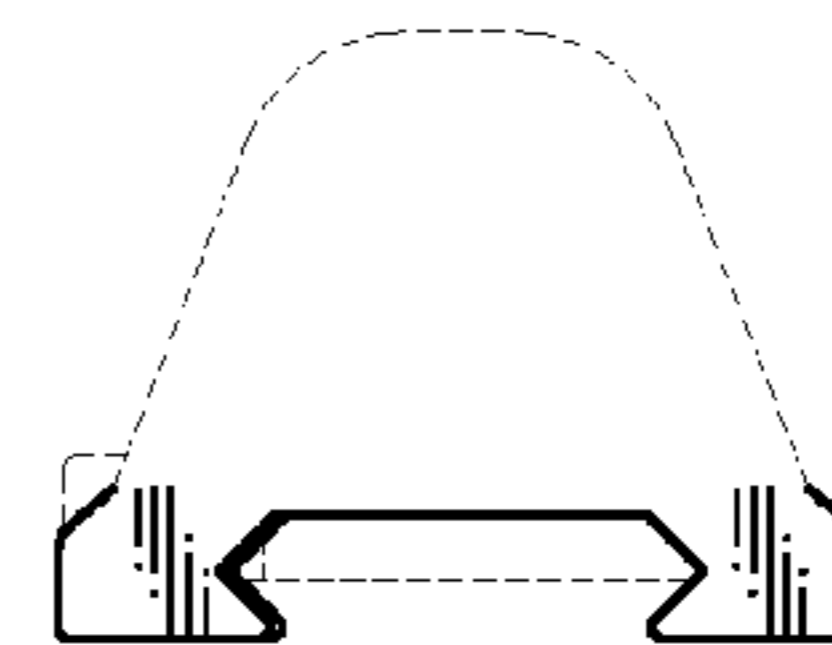
**FIG. 5**



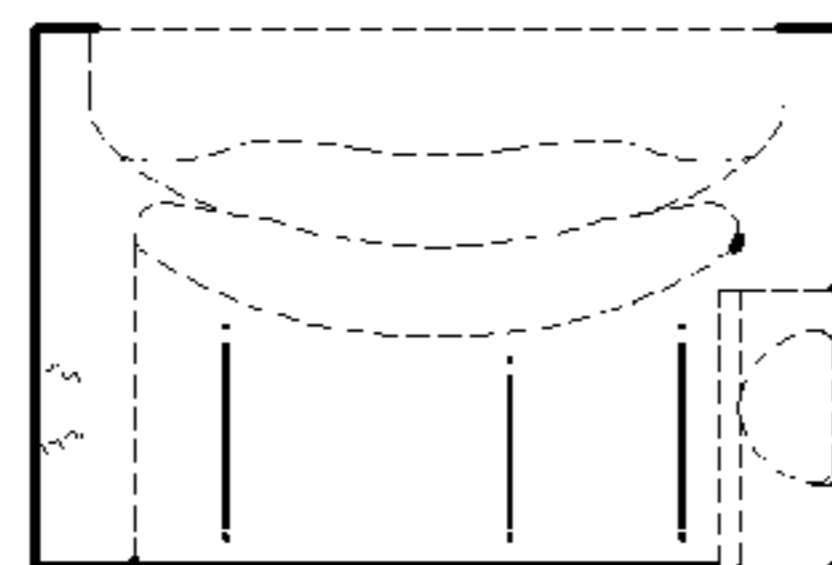
**FIG. 7**



**FIG. 6**



**FIG. 8**



**FIG. 4**