



US00D671610S

(12) **United States Design Patent**
Nebeker et al.

(10) **Patent No.:** **US D671,610 S**

(45) **Date of Patent:** **** Nov. 27, 2012**

(54) **PISTOL**

(75) Inventors: **Darin Nebeker**, Gilbert, AZ (US);
James McGarry, Prescott Valley, AZ
(US); **Amir Zonshine**, Phoenix, AZ
(US)

(73) Assignee: **Sturm, Ruger & Company, Inc.**,
Southport, CT (US)

(**) Term: **14 Years**

(21) Appl. No.: **29/401,251**

(22) Filed: **Sep. 9, 2011**

(51) **LOC (9) Cl.** **22-01**

(52) **U.S. Cl.** **D22/104**

(58) **Field of Classification Search** D22/100,
D22/104, 199; D21/145, 146, 147, 567,
D21/572, 573-575; 42/40, 41, 42.01, 42.02,
42/42.03, 43, 44, 45, 57, 69.01, 71.02, 72,
42/37; 124/31, 37; 362/110, 113

See application file for complete search history.

(56) **References Cited**

U.S. PATENT DOCUMENTS

D479,570 S 9/2003 Scheunert
D503,208 S 3/2005 Krieger
D593,629 S * 6/2009 Bantle et al. D22/104

D597,625 S 8/2009 Pflaumer et al.
D598,065 S * 8/2009 Vukovic et al. D22/104
D627,028 S * 11/2010 Coulombier D22/104
D654,978 S * 2/2012 Karanian et al. D22/104
2011/0120437 A1* 5/2011 Tippmann et al. 124/74
2011/0173861 A1* 7/2011 Roth 42/71.01

* cited by examiner

Primary Examiner — Michael A Pratt

(74) *Attorney, Agent, or Firm* — Duane Morris LLP; Frank J Spanitz

(57) **CLAIM**

The ornamental design for a pistol, as shown and described.

DESCRIPTION

FIG. 1 is a front left side perspective view of a pistol according to the new design;

FIG. 2 is a front right side perspective view thereof;

FIG. 3 is a rear left side perspective view thereof;

FIG. 4 is a rear right side perspective view thereof;

FIG. 5 is a left side view thereof;

FIG. 6 is a right side view thereof;

FIG. 7 is a front view thereof;

FIG. 8 is a rear view thereof;

FIG. 9 is a top view thereof; and,

FIG. 10 is a bottom view thereof.

1 Claim, 8 Drawing Sheets





FIG. 1



FIG. 2



FIG. 3



FIG. 4

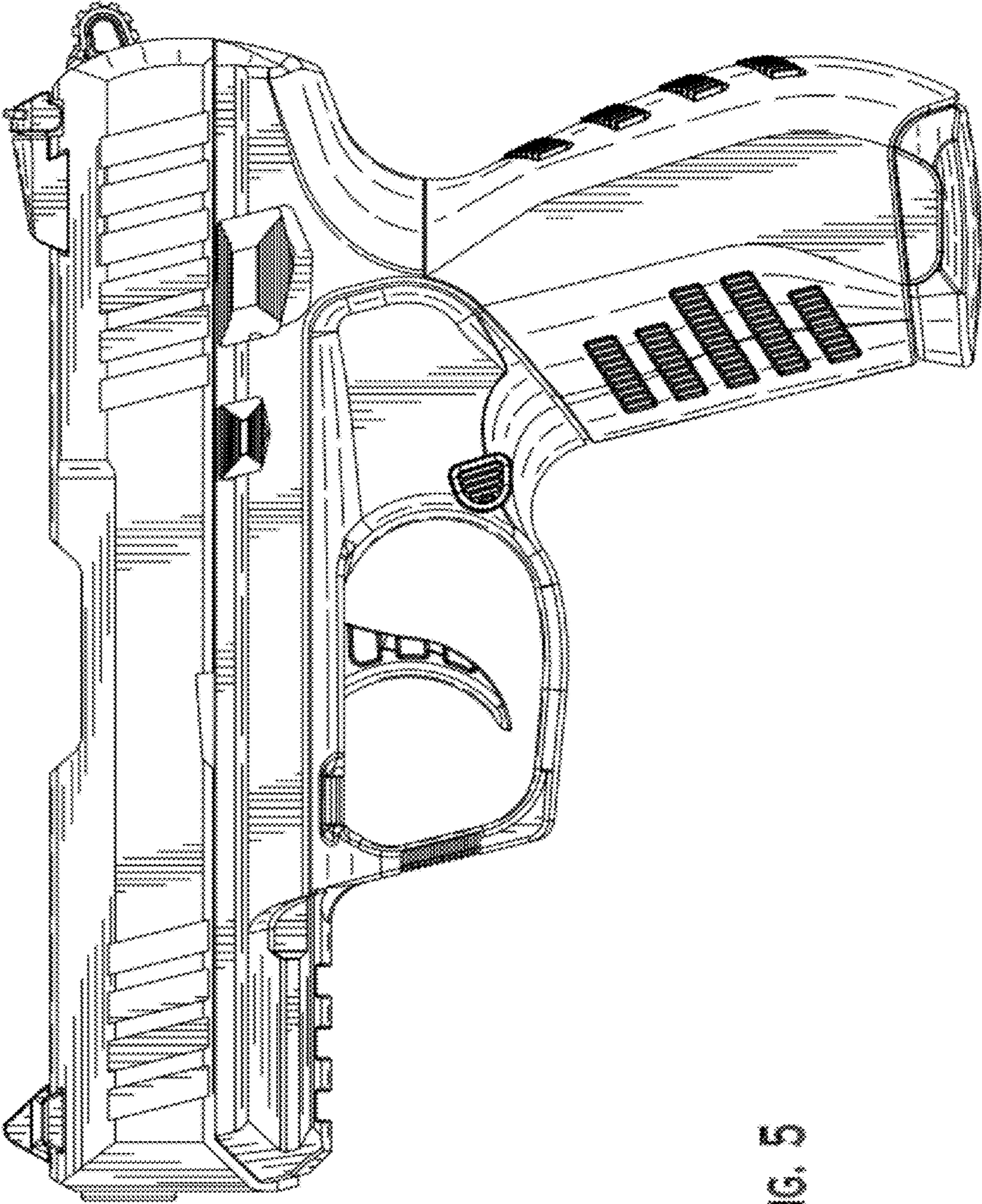


FIG. 5

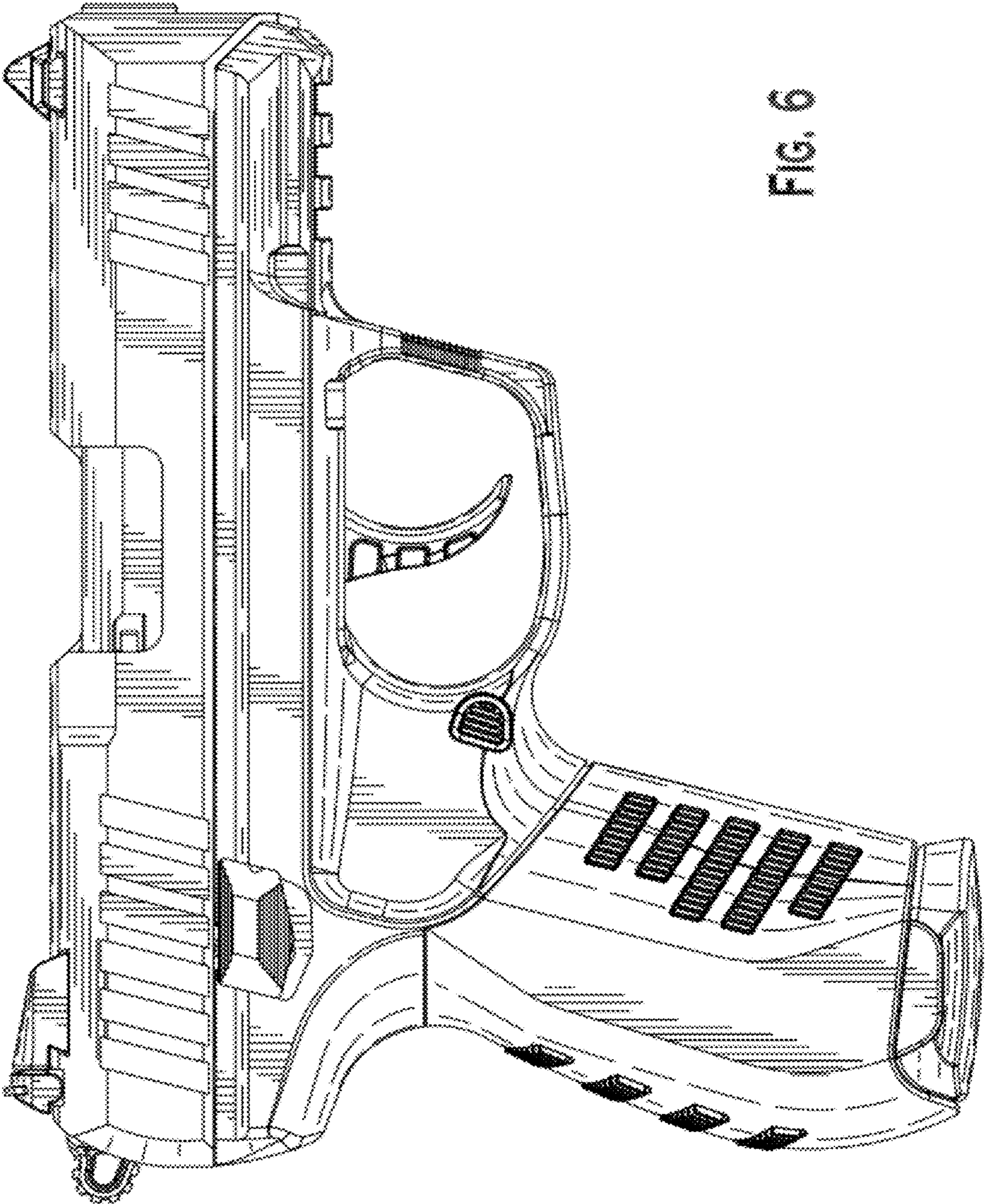


FIG. 6

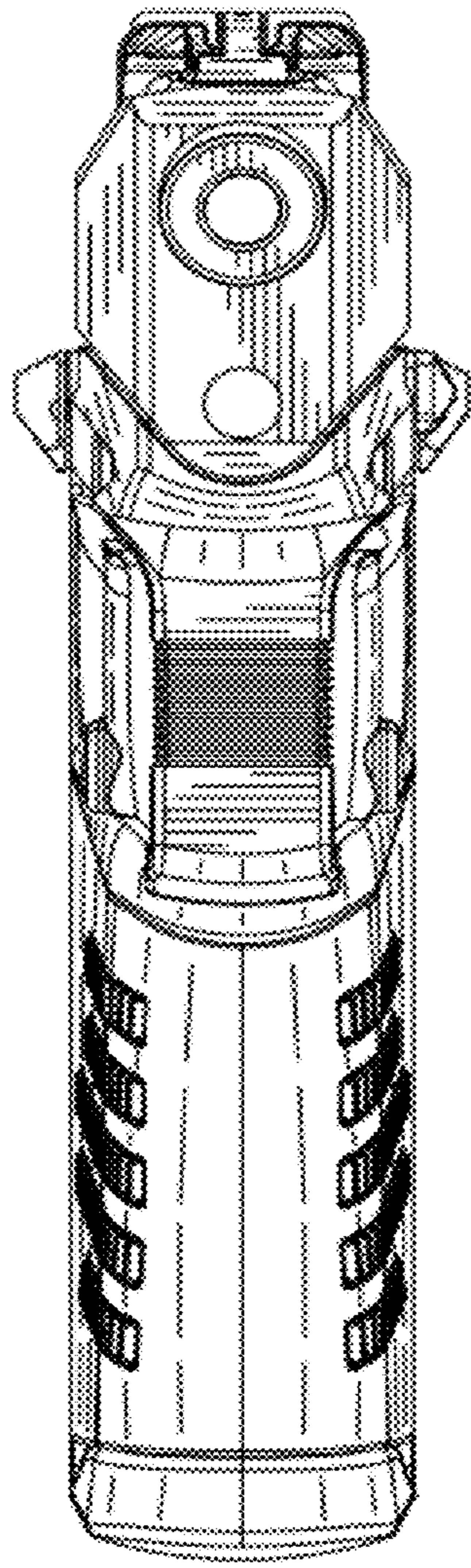


FIG. 7

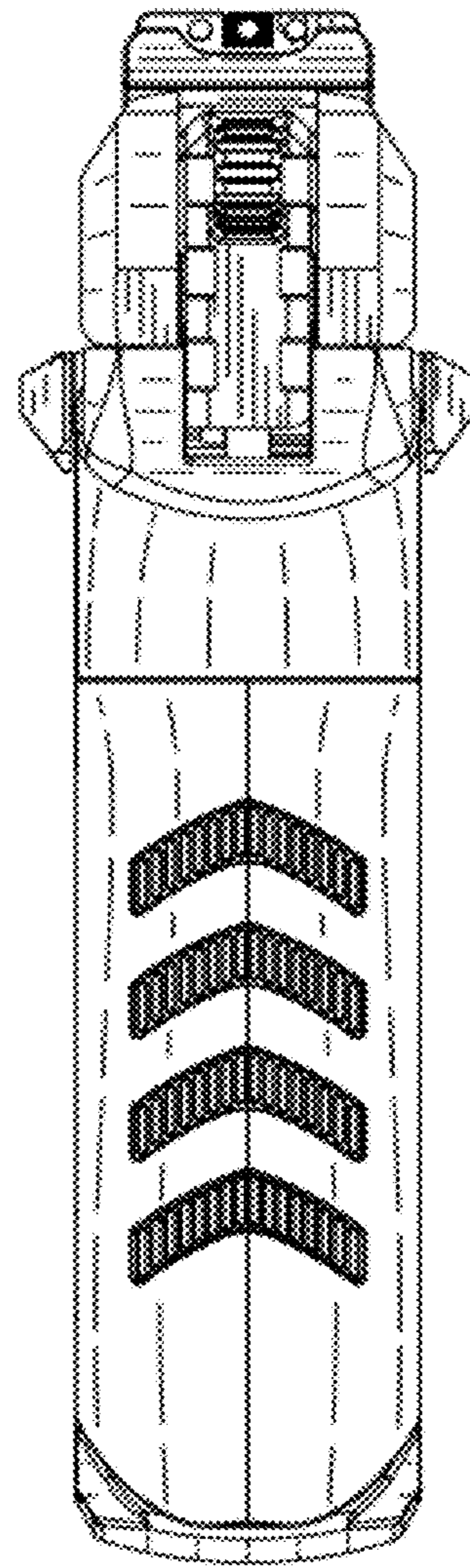


FIG. 8

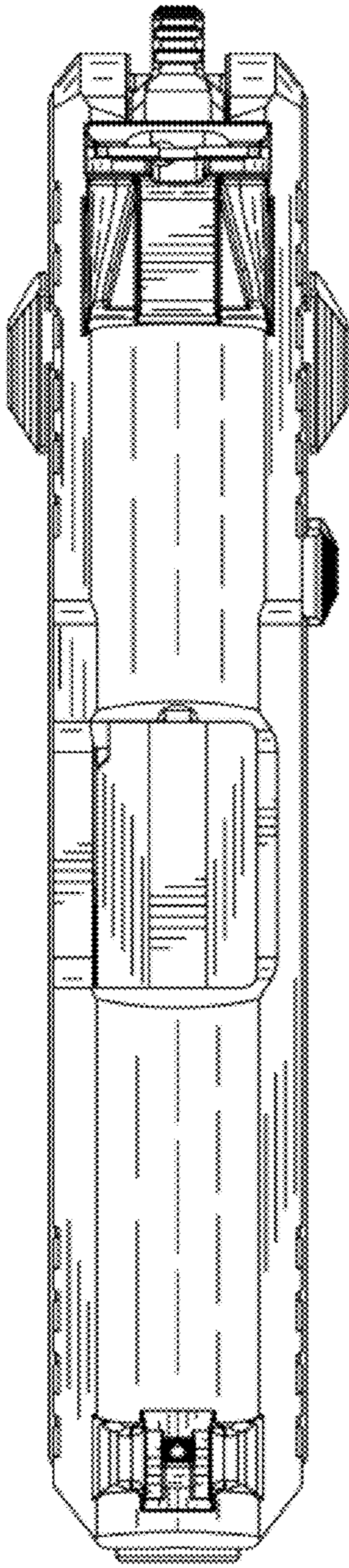


FIG. 9

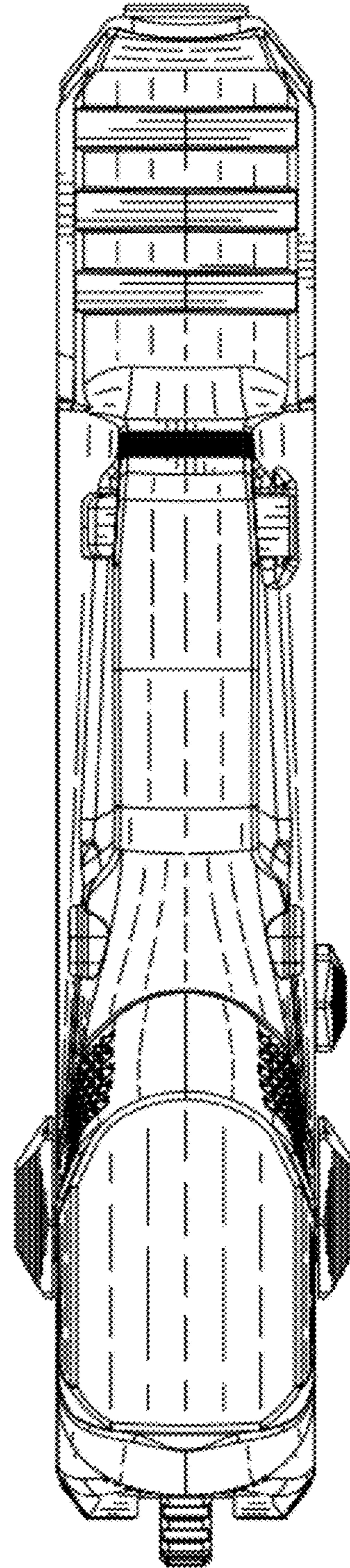


FIG. 10