

US00D671609S

(12) **United States Design Patent**
Kitchen

(10) **Patent No.:** **US D671,609 S**

(45) **Date of Patent:** **** Nov. 27, 2012**

(54) **TRACK FOR AN AMUSEMENT RIDE**

FOREIGN PATENT DOCUMENTS

(76) Inventor: **William J. Kitchen**, Windermere, FL
(US)

GB	21137	0/1912
GB	22781	0/1911
GB	320758	10/1929
JP	05115618	5/1993
JP	2000-070554	3/2000
JP	2001-104653	4/2001
JP	2002-102544	4/2002
JP	2002-159758	6/2002
JP	2002-273063	9/2002
JP	2002-355446	12/2002

(**) Term: **14 Years**

(21) Appl. No.: **29/400,586**

(22) Filed: **Aug. 30, 2011**

(Continued)

(51) **LOC (9) Cl.** **21-03**

(52) **U.S. Cl.** **D21/830**

(58) **Field of Classification Search** D21/811,
D21/814, 818, 821, 828-830; 472/30, 27,
472/43, 45

See application file for complete search history.

OTHER PUBLICATIONS

U.S. Appl. No. 29/378,231, filed Nov. 1, 2010; First Named Inventor:
William J. Kitchen.

Primary Examiner — Mitchell Siegel

(74) *Attorney, Agent, or Firm* — Margaret Polson; Oppedahl
Patent Law Firm LLC

(56) **References Cited**

U.S. PATENT DOCUMENTS

489,238	A *	1/1893	Somers	472/45
512,429	A *	1/1894	Wyand	472/45
1,050,567	A *	1/1913	Saunders	472/45
2,082,287	A	6/1937	Hermann		
2,135,230	A	11/1938	Courtney		
2,384,237	A	9/1945	Clark		
2,535,862	A	12/1950	Pewitt		
2,576,477	A	11/1957	Powell		
3,698,710	A	10/1972	Schwarzkopf		
4,988,089	A *	1/1991	Knijpstra	472/45
D327,936	S *	7/1992	House et al.	D21/829
D400,616	S *	11/1998	Gnezdilov	D21/829
6,402,624	B1	6/2002	Larson et al.		
6,994,629	B2	2/2006	Bussink		
7,351,154	B2	4/2008	Müller et al.		
7,686,697	B2	3/2010	Bussink		
2007/0113753	A1	5/2007	Meindl et al.		
2007/0261589	A1	11/2007	Bussink		
2009/0075740	A1	3/2009	Kojro		

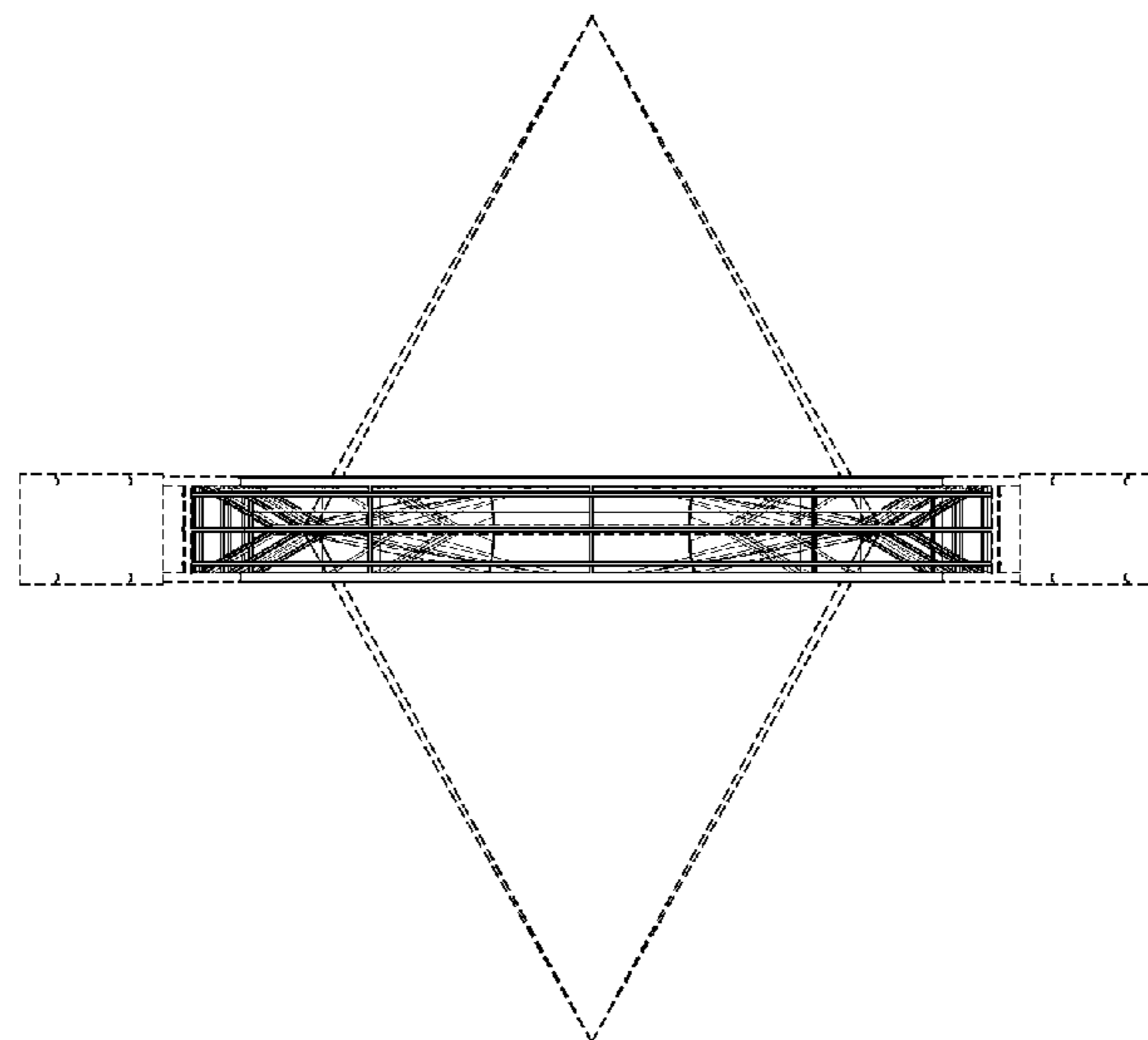
(57) **CLAIM**

The ornamental design for track for an amusement ride, as shown and described.

DESCRIPTION

FIG. 1 is a front elevational view of a track for an amusement ride, the undisclosed rear being identical; FIG. 2 is a left side elevation view of FIG. 1. FIG. 3 is a right side elevation view of FIG. 1. FIG. 4 is a top plan view of FIG. 1. FIG. 5 is a bottom plan view of FIG. 1; and, FIG. 6 is front perspective view of FIG. 1. The broken line showing of support feet, support wires and the inner rail are included for the purpose of illustrating and forms no part of the claimed design.

1 Claim, 5 Drawing Sheets



US D671,609 S

Page 2

FOREIGN PATENT DOCUMENTS					
			JP	2007-105353	4/2007
			JP	2008-212711	9/2008
JP	2002-360940	12/2002	JP	2009-148570	7/2009
JP	2003-024647	1/2003	WO	00/29086	5/2000
JP	2003-210853	7/2003			
JP	2003-275471	9/2003			
JP	2005-328897	12/2005			

* cited by examiner

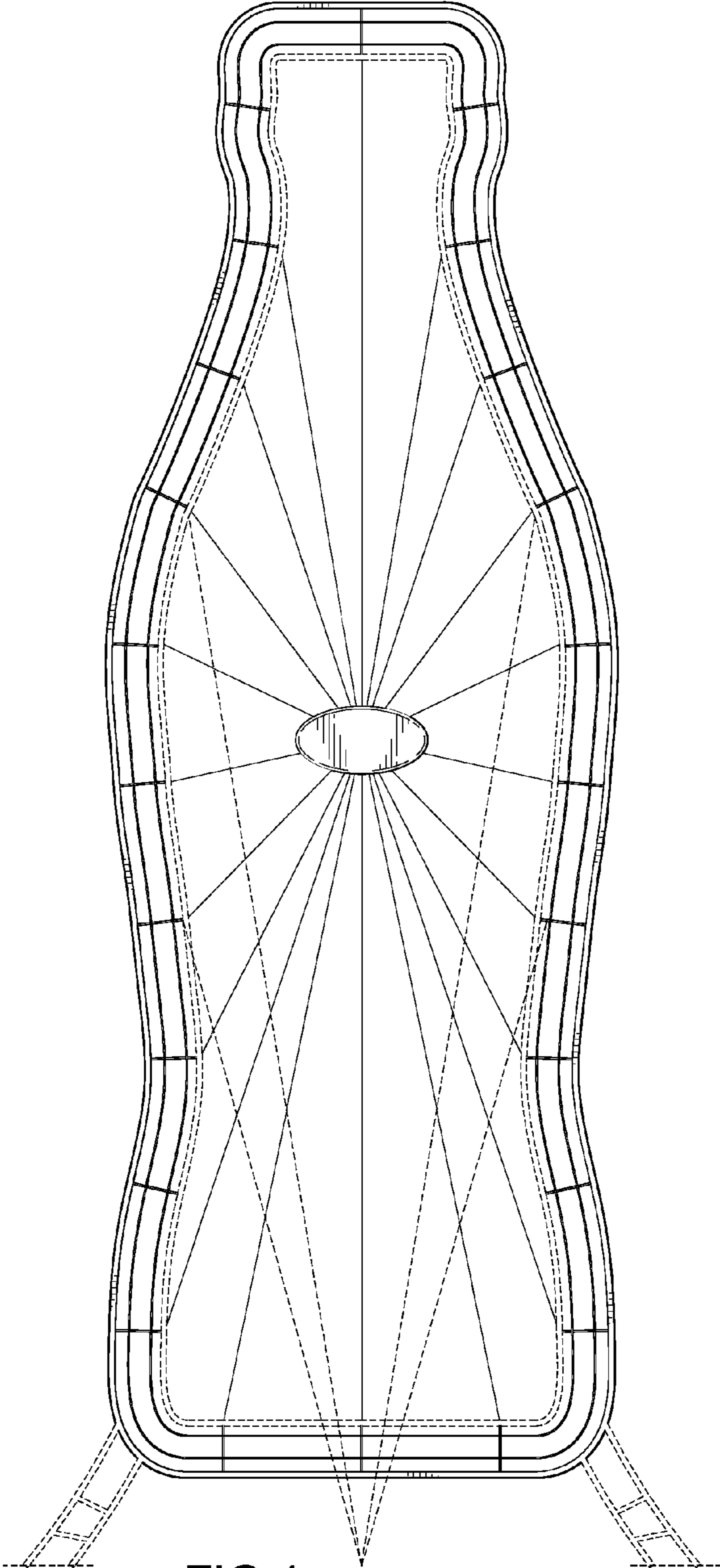


FIG. 1

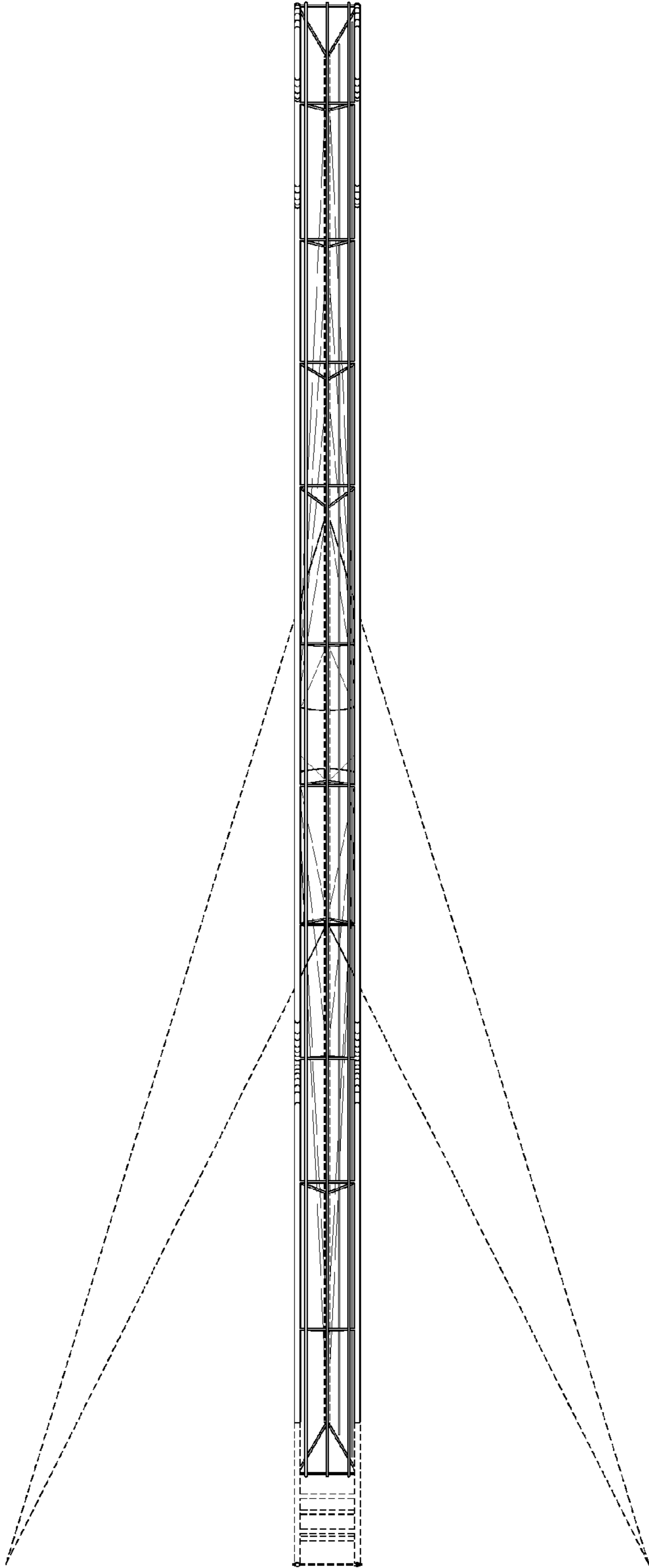


FIG.2

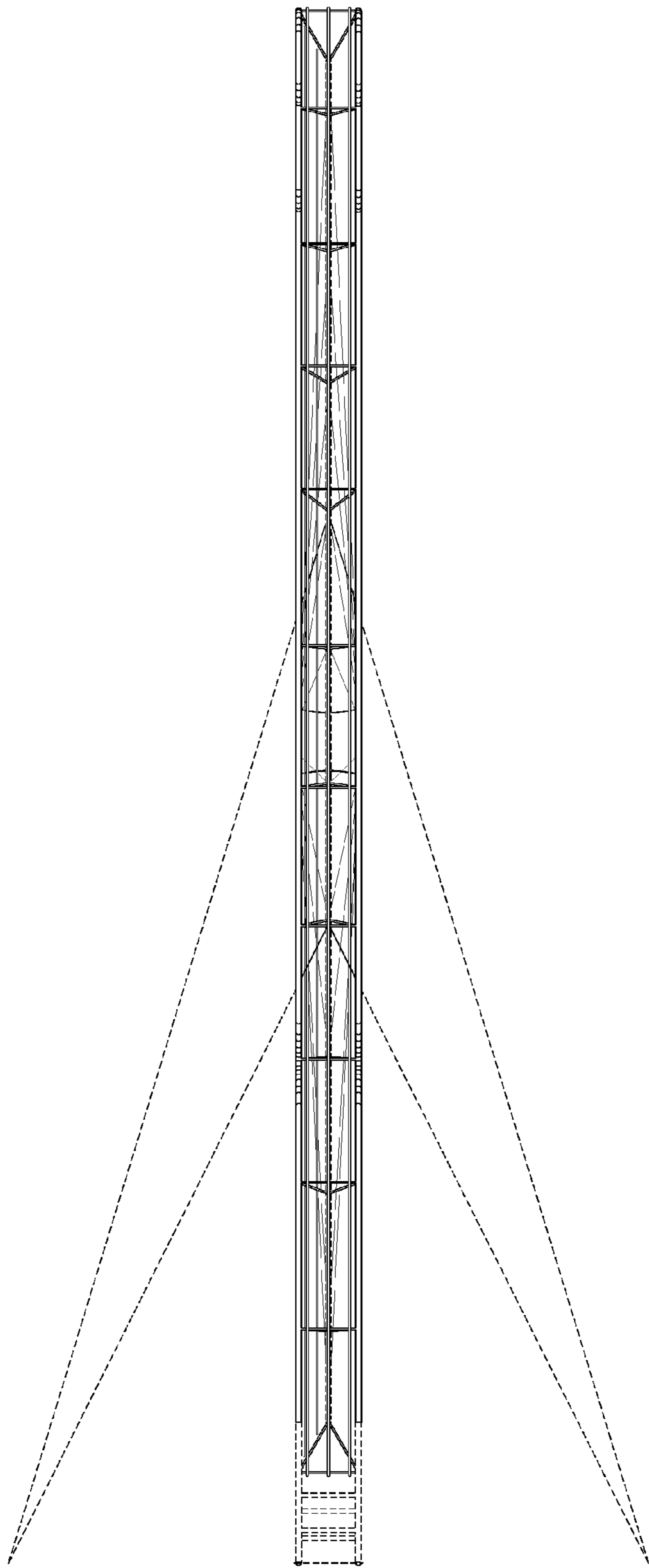


FIG.3

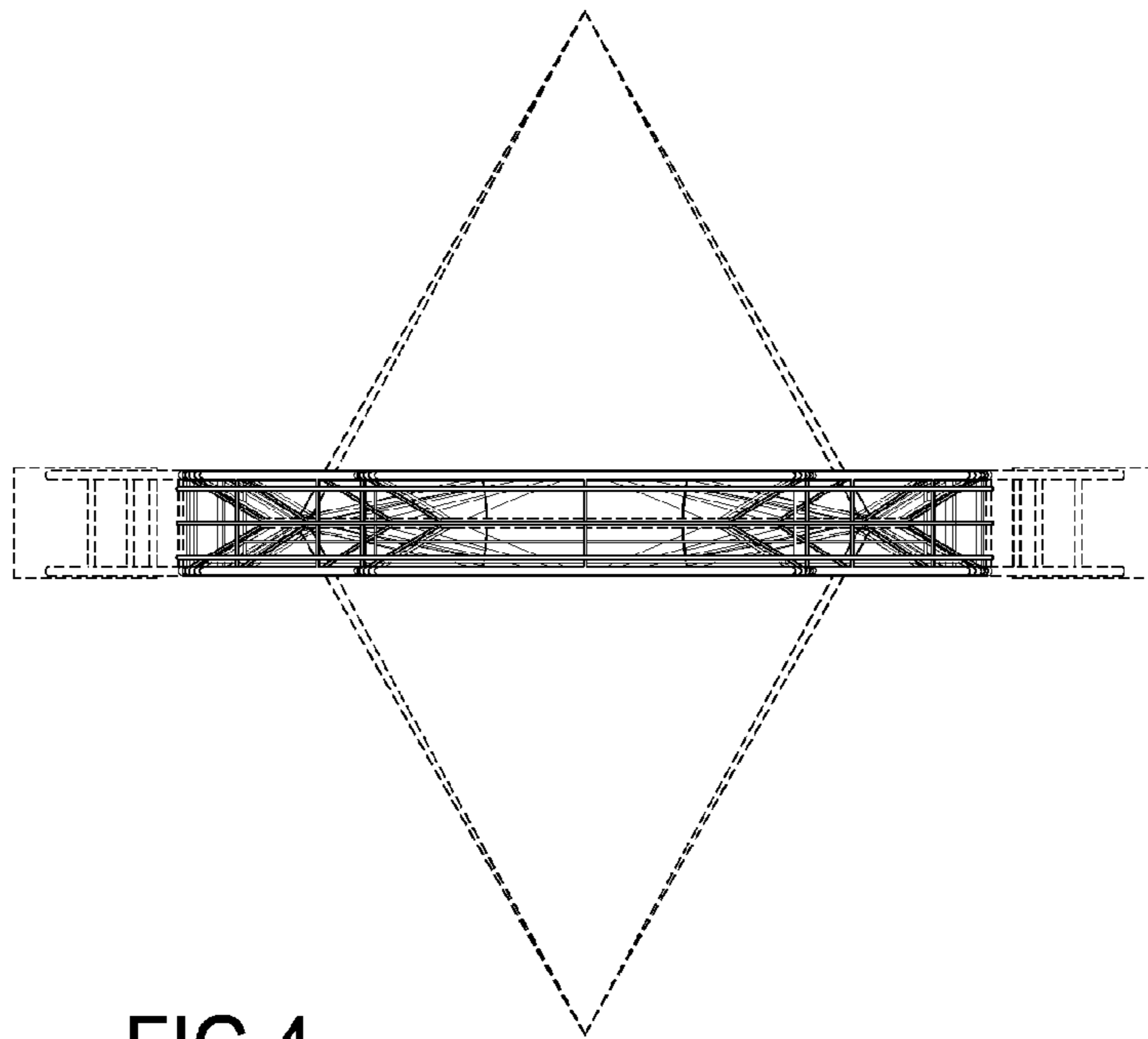


FIG.4

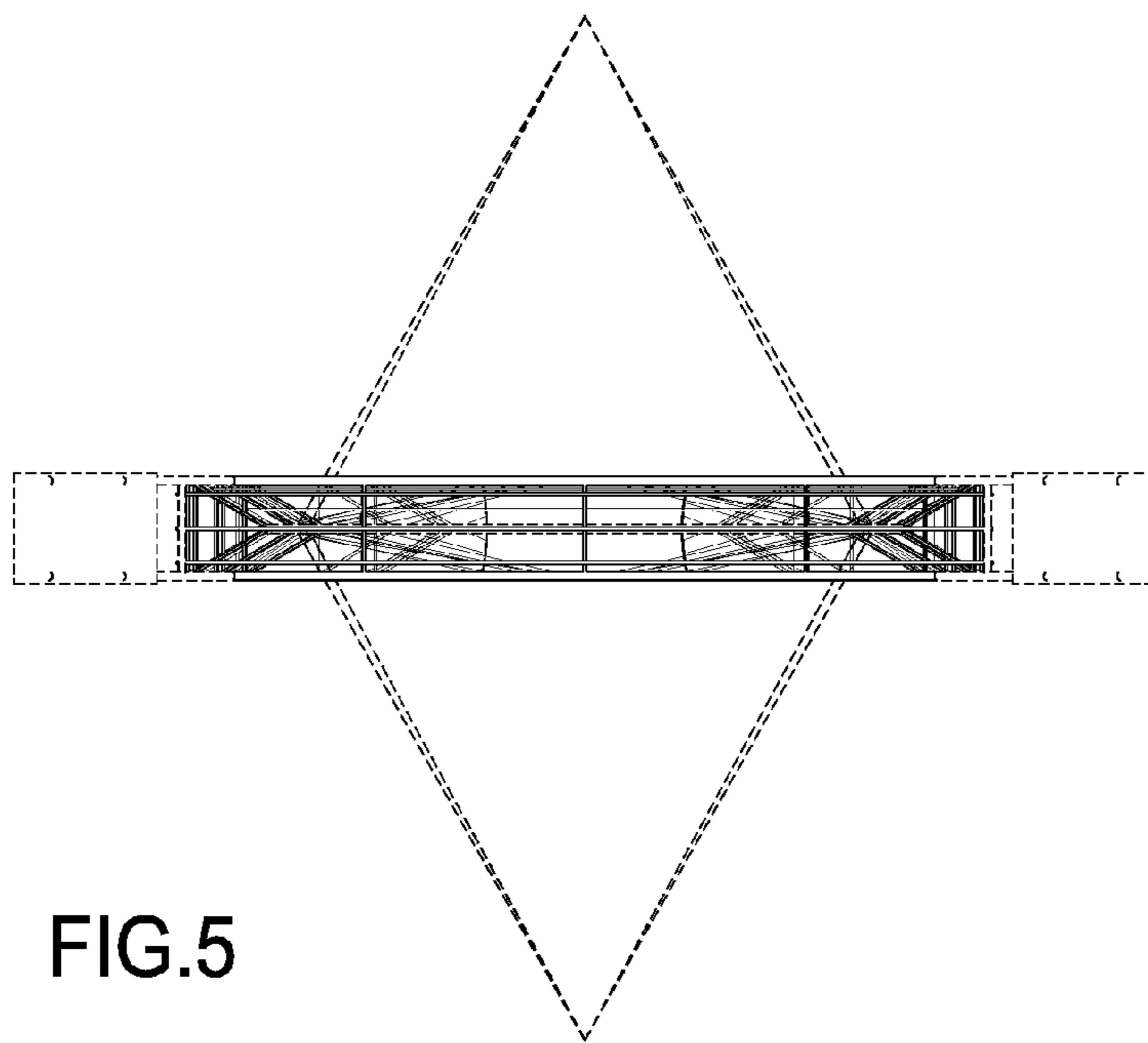


FIG.5

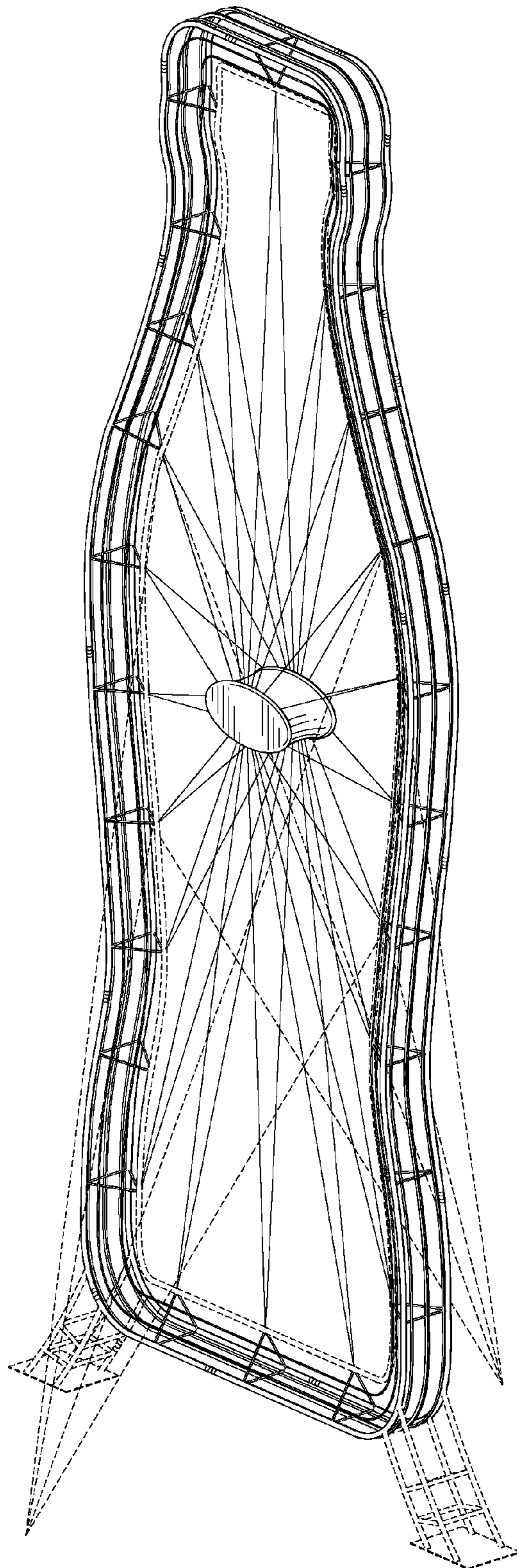


FIG.6