



US00D671604S

(12) **United States Design Patent**  
**Jeanneau et al.**

(10) **Patent No.:** **US D671,604 S**  
(45) **Date of Patent:** **\*\* Nov. 27, 2012**

(54) **HOCKEY STICK SHAFT**

**DESCRIPTION**

(75) Inventors: **Philippe Jeanneau**, Montreal (CA);  
**Roberto Gazzara**, Mestre (IT); **Mauro Pezzato**, Treviso (IT)

(73) Assignee: **Sport Maska Inc.**, Montreal (CA)

(\*\*) Term: **14 Years**

(21) Appl. No.: **29/377,295**

(22) Filed: **Oct. 20, 2010**

**Related U.S. Application Data**

(62) Division of application No. 29/341,892, filed on Aug. 14, 2009, now Pat. No. Des. 628,666.

(51) **LOC (9) Cl.** ..... **21-02**

(52) **U.S. Cl.** ..... **D21/753**

(58) **Field of Classification Search** ..... D21/727,  
D21/753; 473/560-563

See application file for complete search history.

(56) **References Cited**

**U.S. PATENT DOCUMENTS**

D237,636 S \* 11/1975 Leclerc ..... D21/727

(Continued)

**FOREIGN PATENT DOCUMENTS**

CA 2562899 A1 11/2007

(Continued)

**OTHER PUBLICATIONS**

Lacrosse Catalogue 2009; 9K O-Tech Handle Smooth Grip.

(Continued)

*Primary Examiner* — Mitchell I Siegel

(74) *Attorney, Agent, or Firm* — Norton Rose Canada LLP

(57) **CLAIM**

The ornamental design for a hockey stick shaft, as shown and described.

FIG. 1 is a rear left isometric view of a hockey stick shaft according to our design;

FIG. 2 is a rear elevation view of the hockey stick shaft of FIG. 1, a front elevation view being a mirror image thereof;

FIG. 3 is a rear left isometric close-up view of the portion of the hockey stick shaft indicated by bracket 3 in FIG. 1, a front right isometric close-up view being identical thereto;

FIG. 4 is a rear elevation view of the portion of the hockey stick shaft of FIG. 3, a front elevation view being identical thereto;

FIG. 5 is a cross-sectional view of the portion of the hockey stick shaft of FIG. 3 taken along the line 5-5 in FIG. 4, a cross-sectional view in the opposite direction being a mirror image thereof;

FIG. 6T is a cross-sectional view of the portion of the hockey stick shaft of FIG. 3 taken along the line 6T-6T in FIG. 4;

FIG. 6B is a cross-sectional view of the portion of the hockey stick shaft of FIG. 3 taken along the line 6B-6B in FIG. 4;

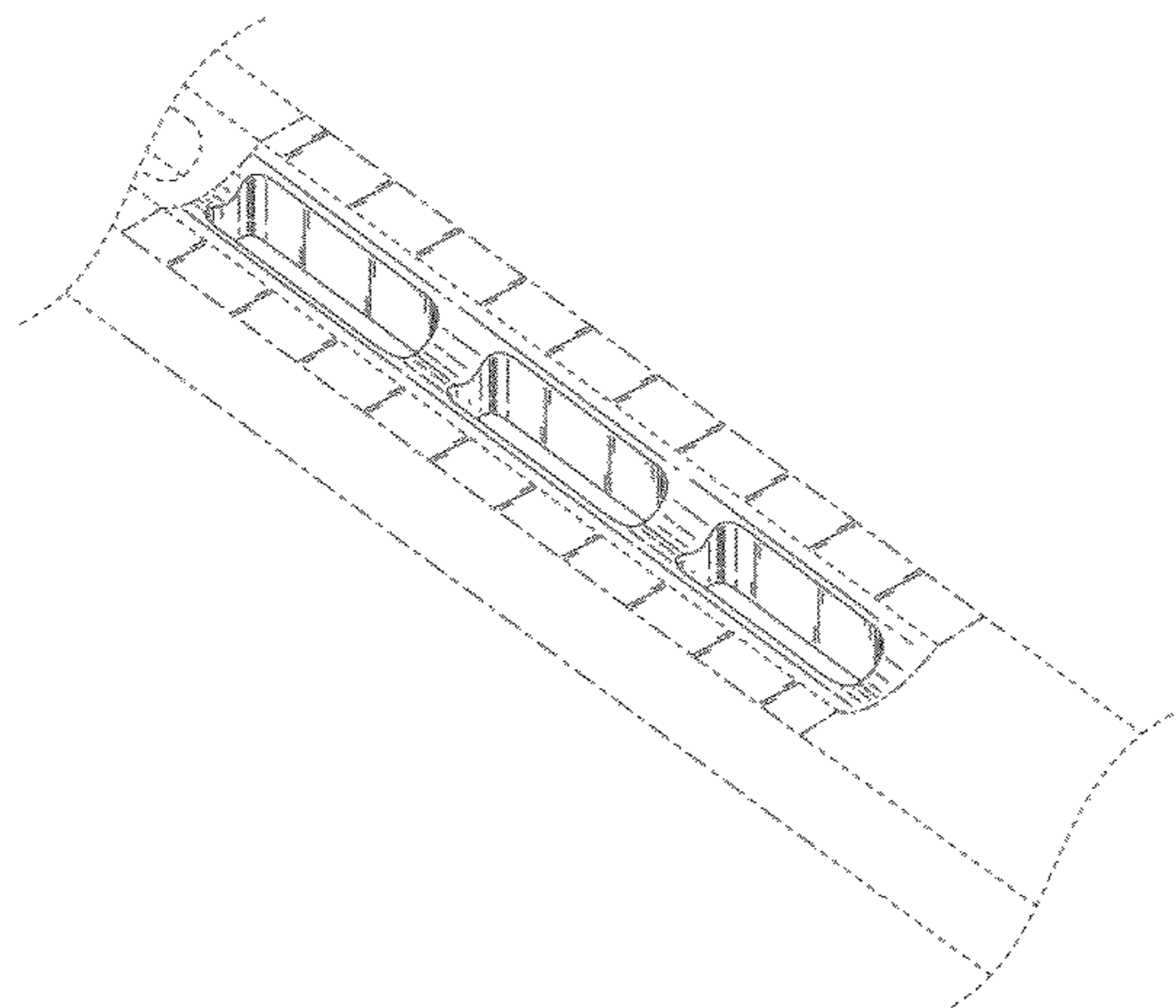
FIG. 7T is a cross-sectional view of the portion of the hockey stick shaft of FIG. 3 taken along the line 7T-7T in FIG. 4;

FIG. 7B is a cross-sectional view of the portion of the hockey stick shaft of FIG. 3 taken along the line 7B-7B in FIG. 4; and,

FIG. 8 is an elevation view of a slice of the portion of the hockey stick shaft of FIG. 3 taken along the plane extending along the line 8-8 in FIG. 4 perpendicular to the image thereof.

Throughout the Figures, where shown: (i) the dotted lines showing additional structure of the hockey stick shaft are for illustrative purposes only and form no part of the claimed design; (ii) the dotted lines showing a typical hockey stick blade are for illustrative purposes only and do not form part of the claimed design; (iii) the unshaded surfaces do not form part of the claimed design; (iv) the dotted/dashed lines illustrate unclaimed boundaries of surfaces claimed as part of the design; and (v) brackets and cross-section indications are for reference purposes only and do not form part of the claimed design. Portions of the hockey stick shaft not shown in the Figures and not otherwise described in this Specification do not form part of the claimed design.

**1 Claim, 5 Drawing Sheets**



# US D671,604 S

Page 2

---

## U.S. PATENT DOCUMENTS

D344,559 S \* 2/1994 Ilacqua et al. .... D21/727  
D360,443 S \* 7/1995 Berghash ..... D21/727  
D399,544 S \* 10/1998 Liu ..... D21/727  
5,863,268 A \* 1/1999 Birch ..... 473/563  
D558,844 S \* 1/2008 Jeanneau et al. .... D21/727  
D579,997 S \* 11/2008 Jeanneau et al. .... D21/753  
D606,138 S \* 12/2009 Loiers et al. .... D21/725  
D619,664 S \* 7/2010 Loiers et al. .... D21/725  
D628,666 S \* 12/2010 Jeanneau et al. .... D21/753  
D634,799 S \* 3/2011 Loiers et al. .... D21/725  
2005/0153798 A1 \* 7/2005 Rigoli ..... 473/513  
2007/0270253 A1 \* 11/2007 Davis et al. .... 473/513  
2007/0275799 A1 \* 11/2007 Davis et al. .... 473/560  
2007/0275800 A1 \* 11/2007 Davis et al. .... 473/561

## FOREIGN PATENT DOCUMENTS

CA 2563005 A1 11/2007  
CA 118800 10/2008  
WO 2008129361 A2 10/2008  
WO 2009027906 A1 3/2009

## OTHER PUBLICATIONS

U.S. Appl. No. 11/183,585; Composite Hockey Stick System; Filing  
date: Jul. 18, 2005.

\* cited by examiner

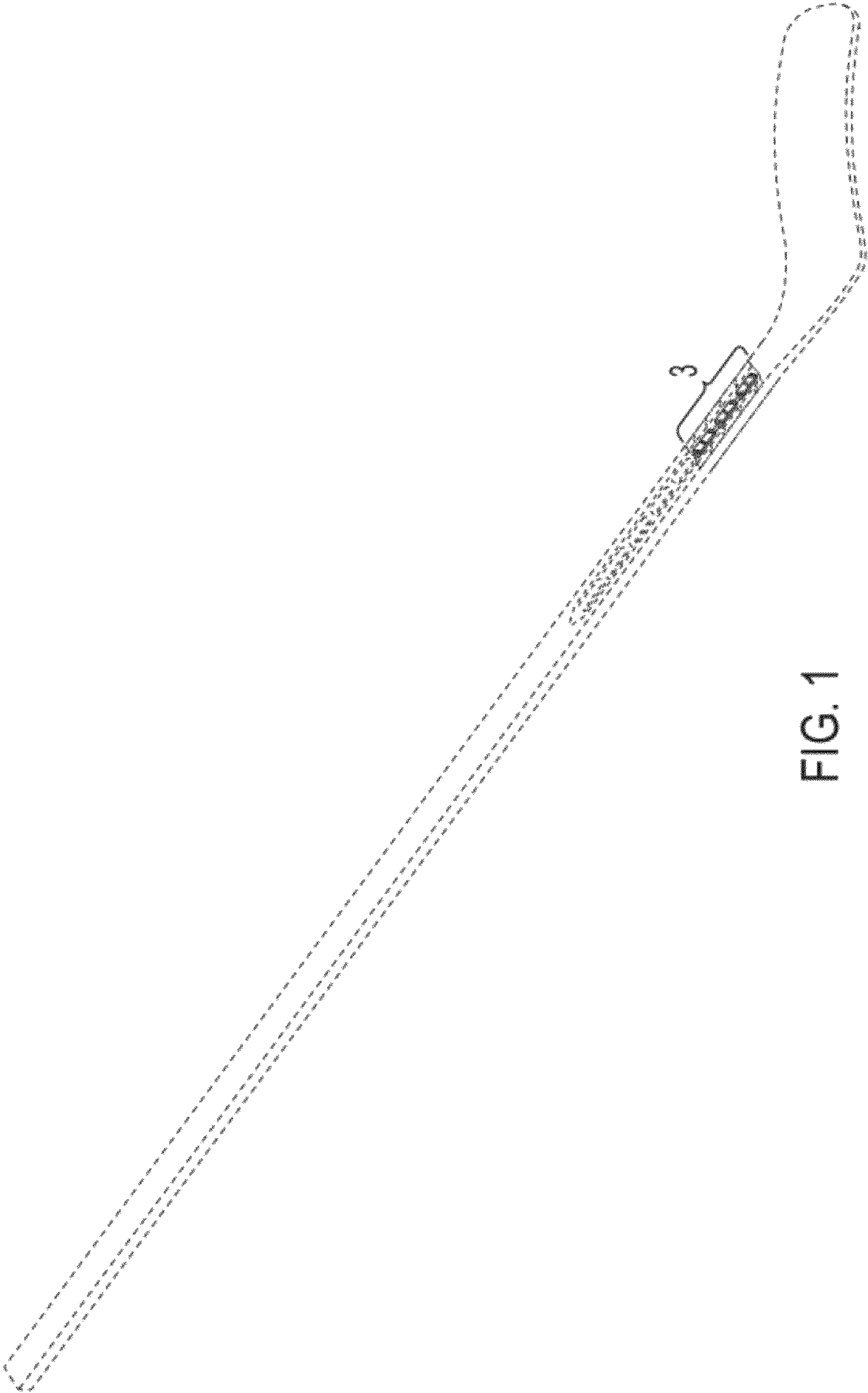


FIG. 1

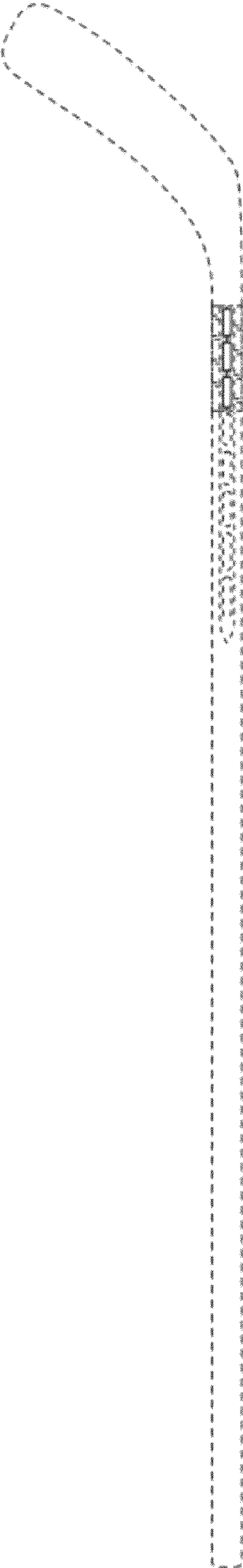


FIG. 2

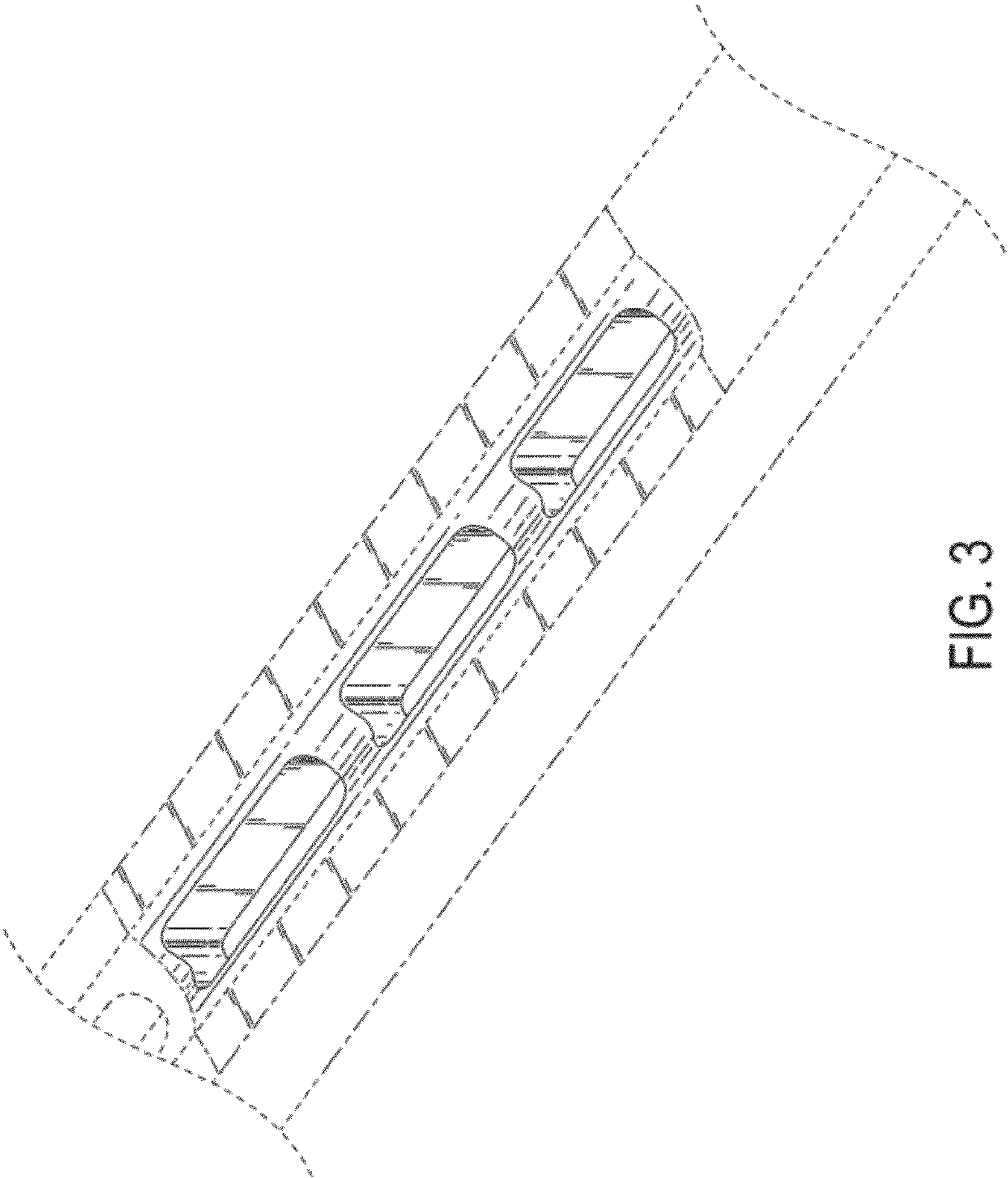


FIG. 3

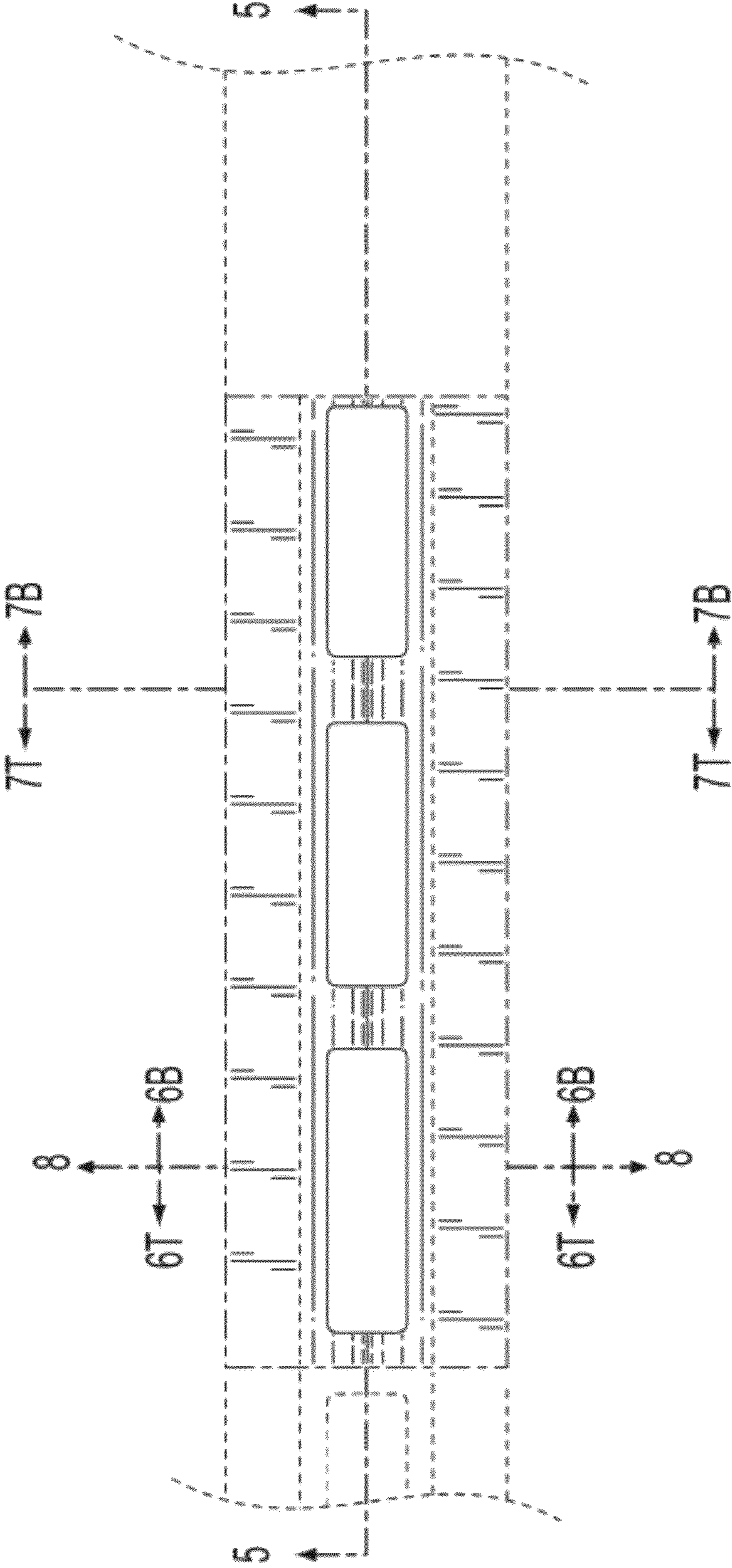


FIG. 4

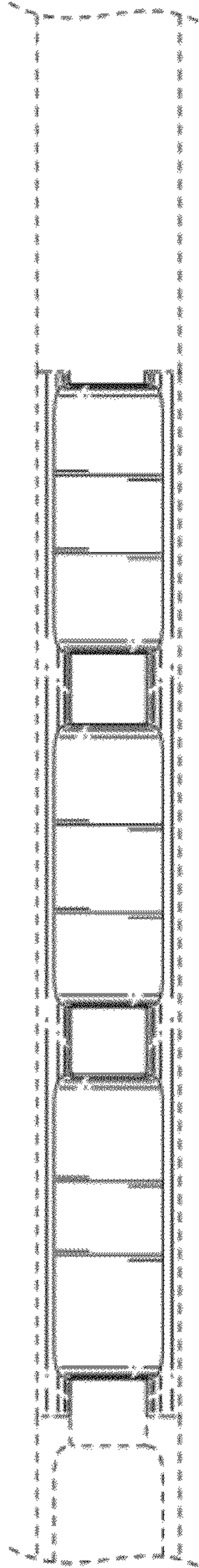


FIG. 5

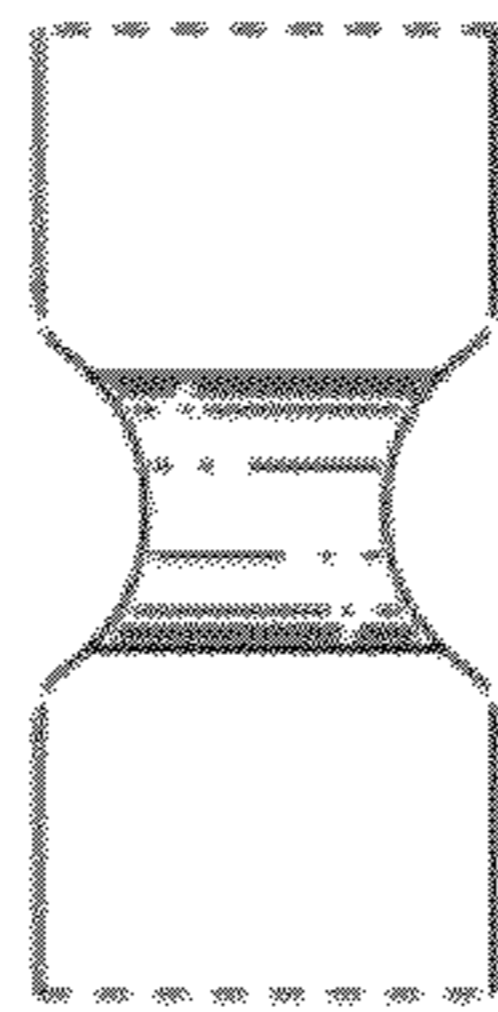


FIG. 6B

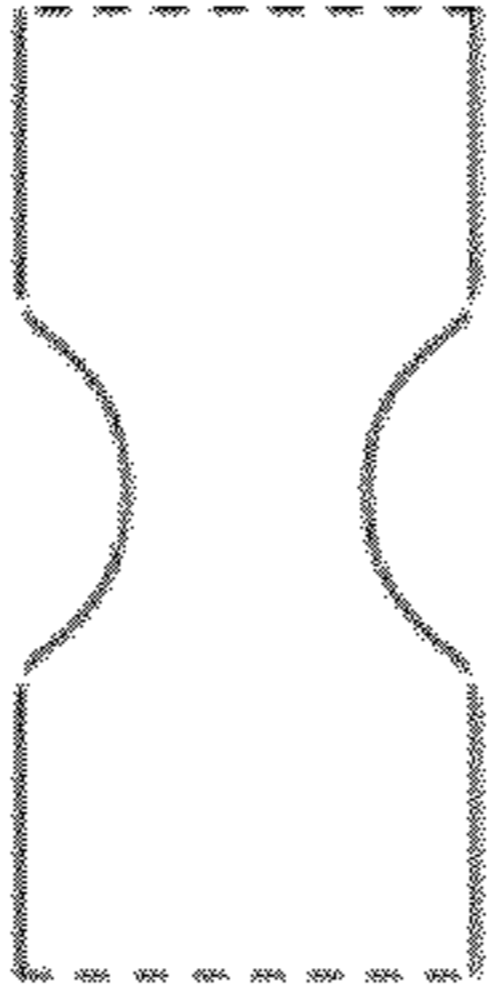


FIG. 7B

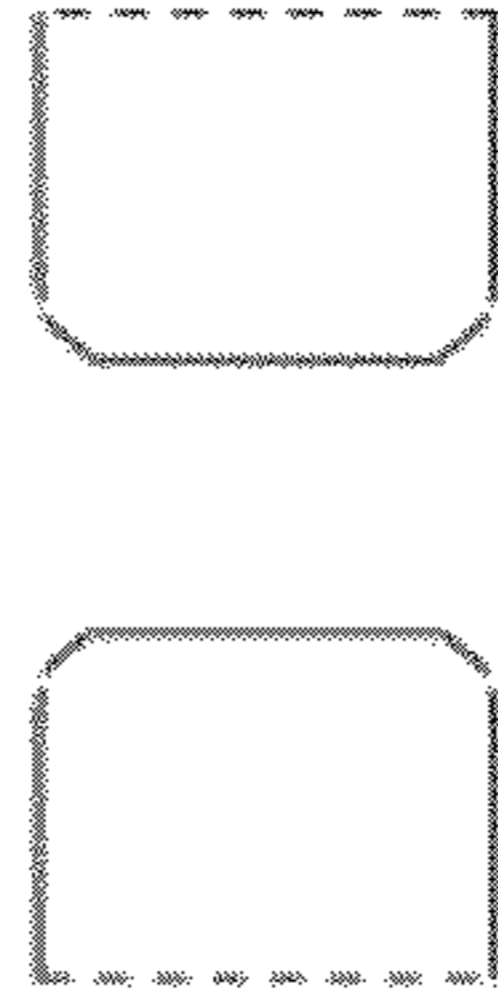


FIG. 8

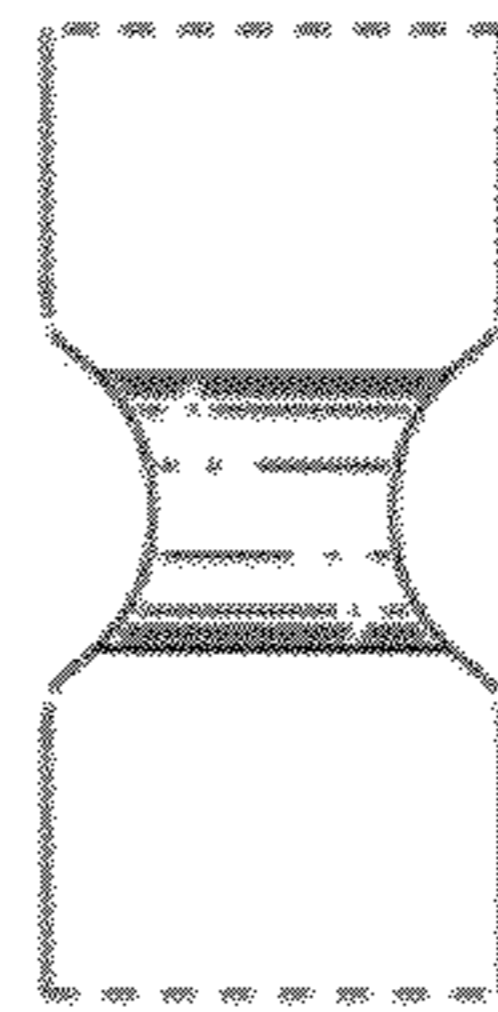


FIG. 6T



FIG. 7T