



US00D671602S

(12) **United States Design Patent**  
**Bradford**

(10) **Patent No.:** **US D671,602 S**

(45) **Date of Patent:** **\*\* Nov. 27, 2012**

(54) **STICK FIGURE TOY**

(76) Inventor: **Robert Bradford**, New York, NY (US)

(\*\*) Term: **14 Years**

(21) Appl. No.: **29/386,384**

(22) Filed: **Feb. 28, 2011**

(51) **LOC (9) Cl.** ..... **21-01**

(52) **U.S. Cl.** ..... **D21/621**

(58) **Field of Classification Search** ..... D21/621,  
D21/623, 624, 625, 628, 630, 631, 633, 640,  
D21/643-649, 659; 446/268, 360, 361, 376,  
446/379, 382-384; D19/62

See application file for complete search history.

(56) **References Cited**

**U.S. PATENT DOCUMENTS**

D213,406 S *	2/1969	Davis	.....	D6/453
D253,340 S *	11/1979	Friedrich	.....	D11/160
D262,554 S *	1/1982	Matsui	.....	D21/399
D262,805 S *	1/1982	Matsui	.....	D21/399
D325,359 S *	4/1992	Ma	.....	D11/160
D447,441 S *	9/2001	Veach	.....	D11/160
D539,696 S *	4/2007	Palmer	.....	D11/160
D578,344 S *	10/2008	Bloom et al.	.....	D7/393

D620,319 S \* 7/2010 Alexander et al. .... D7/619.2  
\* cited by examiner

*Primary Examiner* — Zenia Bennett

(74) *Attorney, Agent, or Firm* — Workman Nydegger

(57) **CLAIM**

The ornamental design for a stick figure toy, as shown and described.

**DESCRIPTION**

FIG. 1 is a perspective view of an embodiment of the stick figure toy;

FIG. 2 is a right side view of the stick figure toy shown in FIG. 1;

FIG. 3 is a front view of the stick figure toy shown in FIG. 1 having the same view as a back side of the stick figure toy shown in FIG. 1;

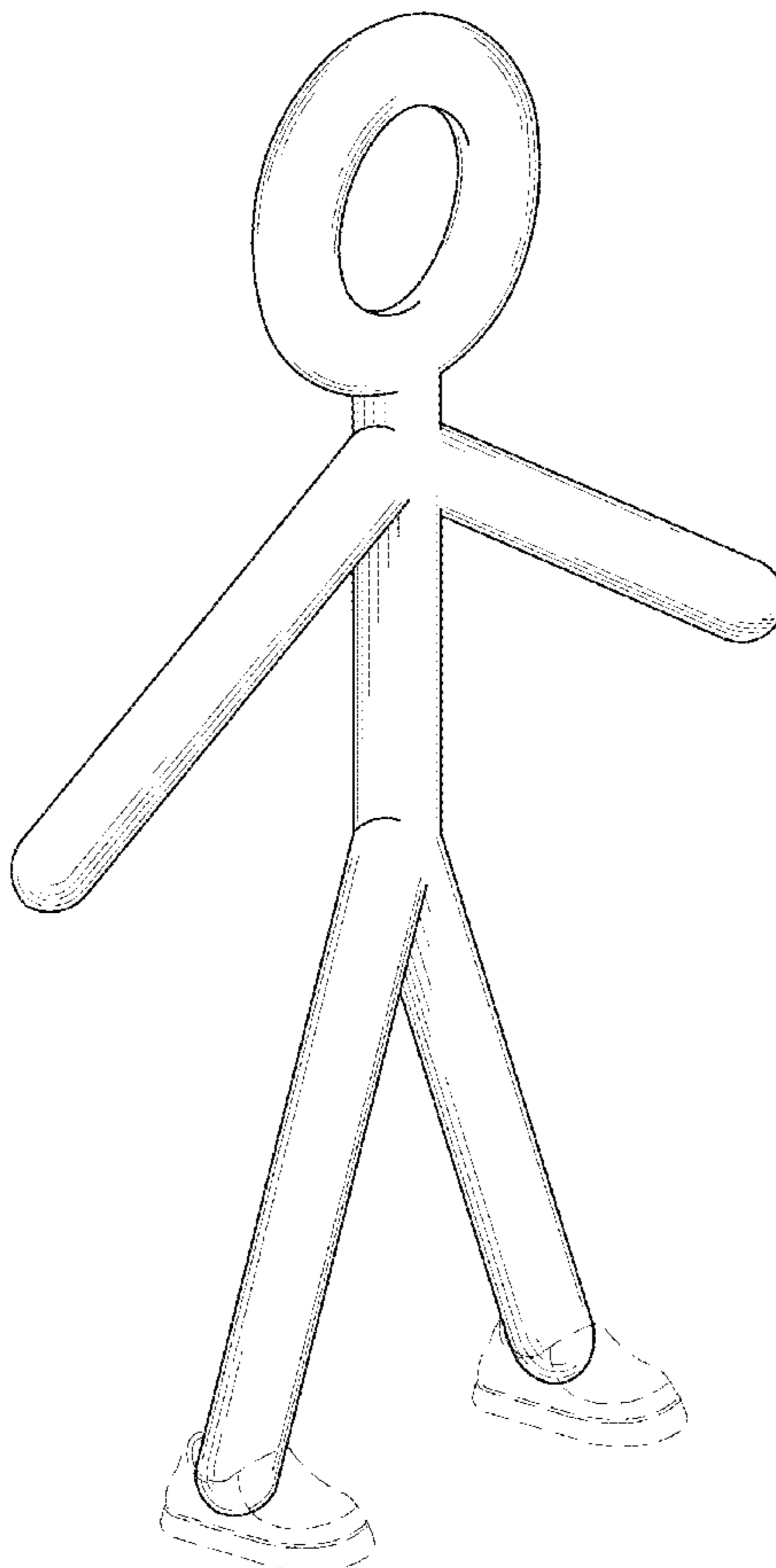
FIG. 4 is a left side view of the stick figure toy shown in FIG. 1;

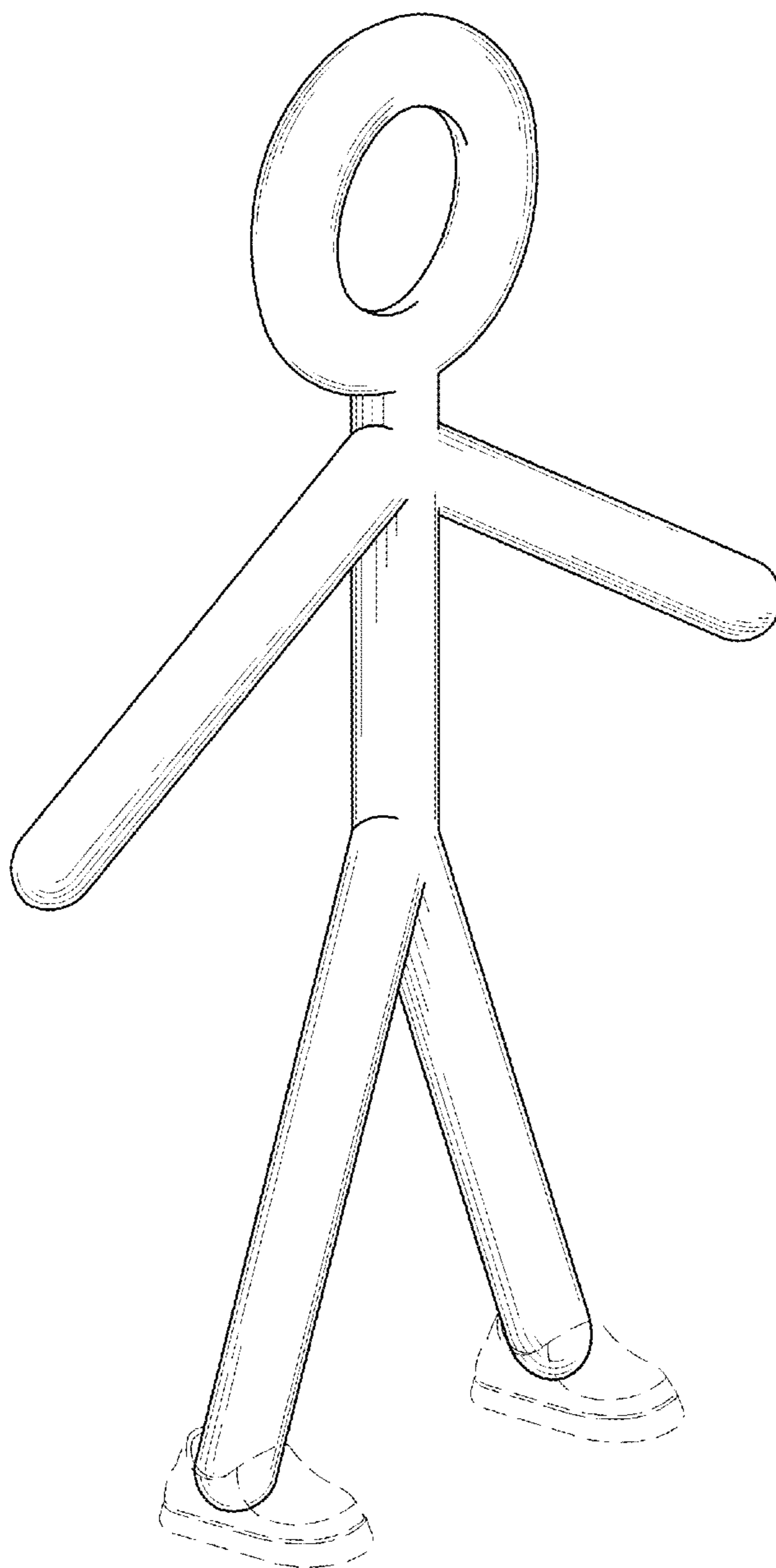
FIG. 5 is a top view of the stick figure toy shown in FIG. 1; and,

FIG. 6 is a bottom view of the stick figure toy shown in FIG. 1.

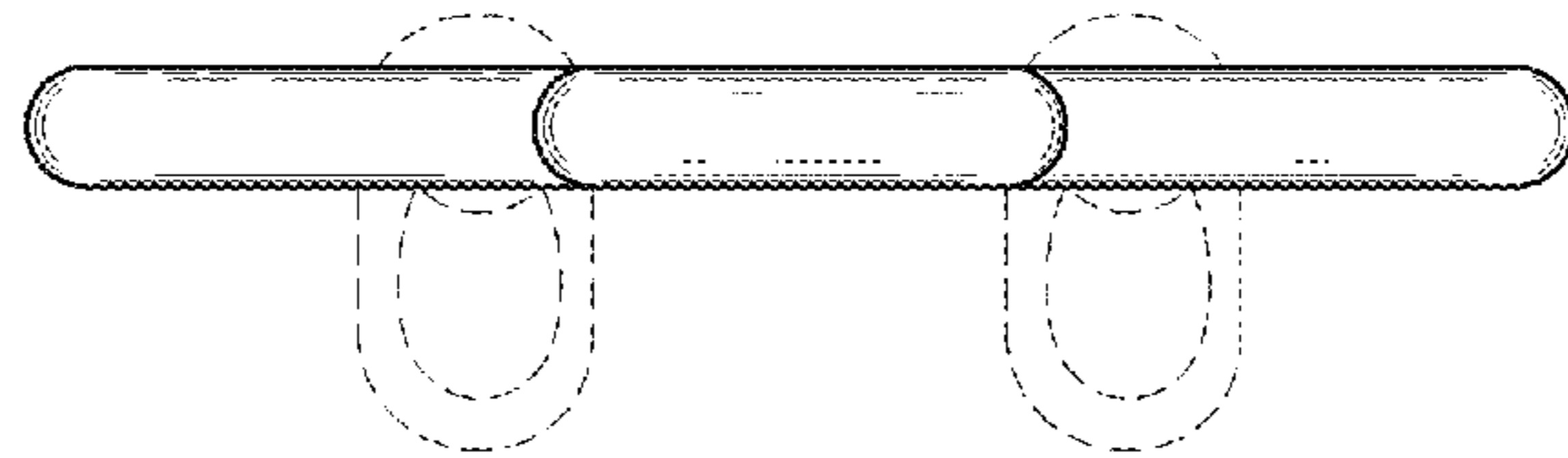
The broken lines shown in the figures are for illustrative purposes only and form no part of the claimed design.

**1 Claim, 2 Drawing Sheets**

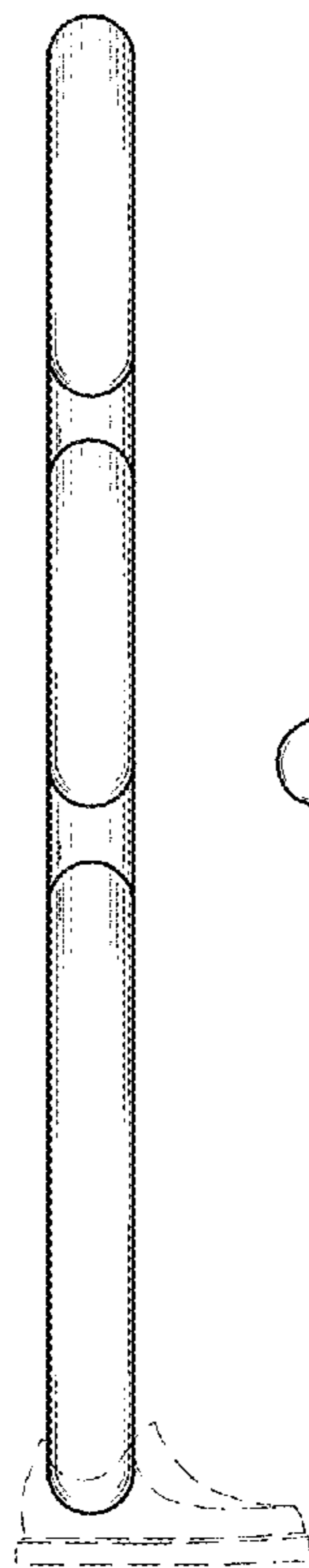




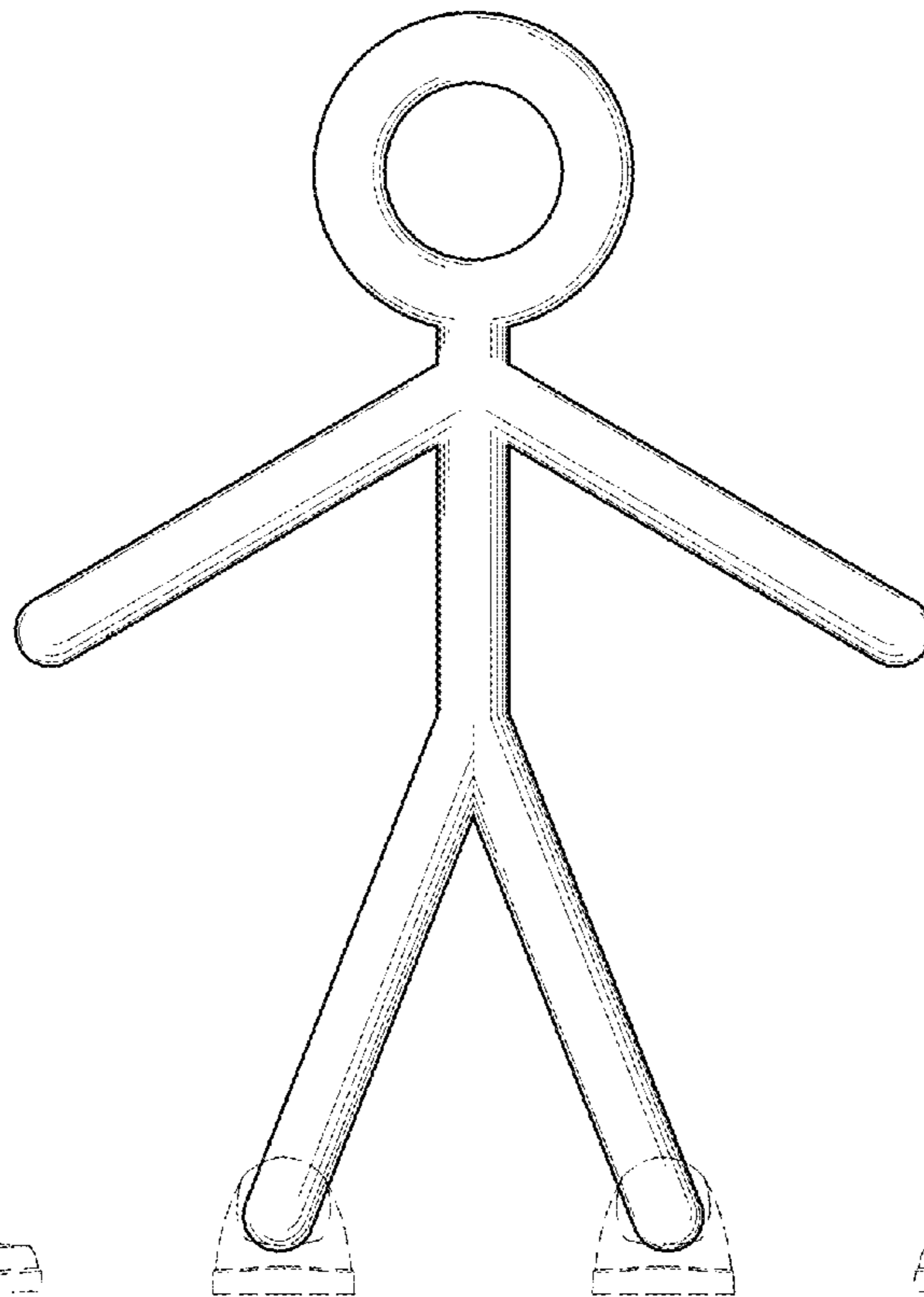
**Fig. 1**



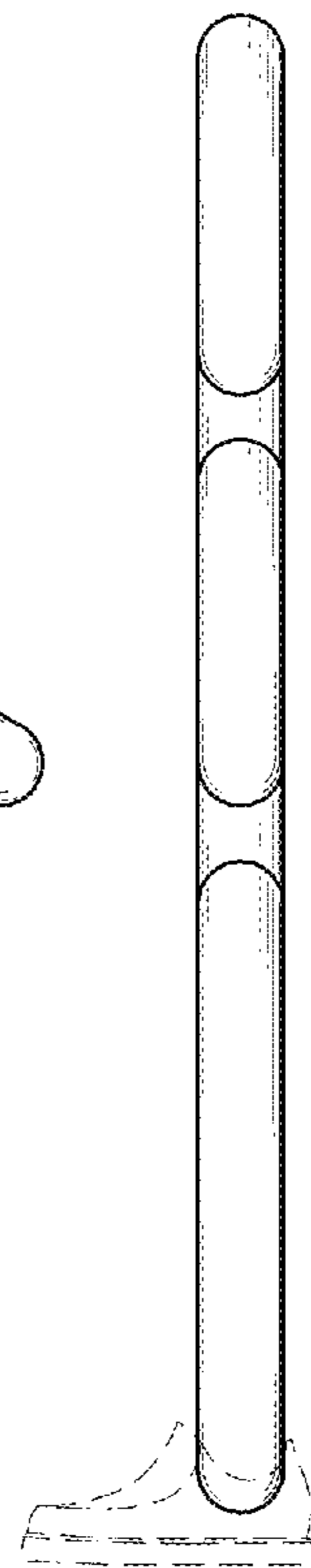
**Fig. 5**



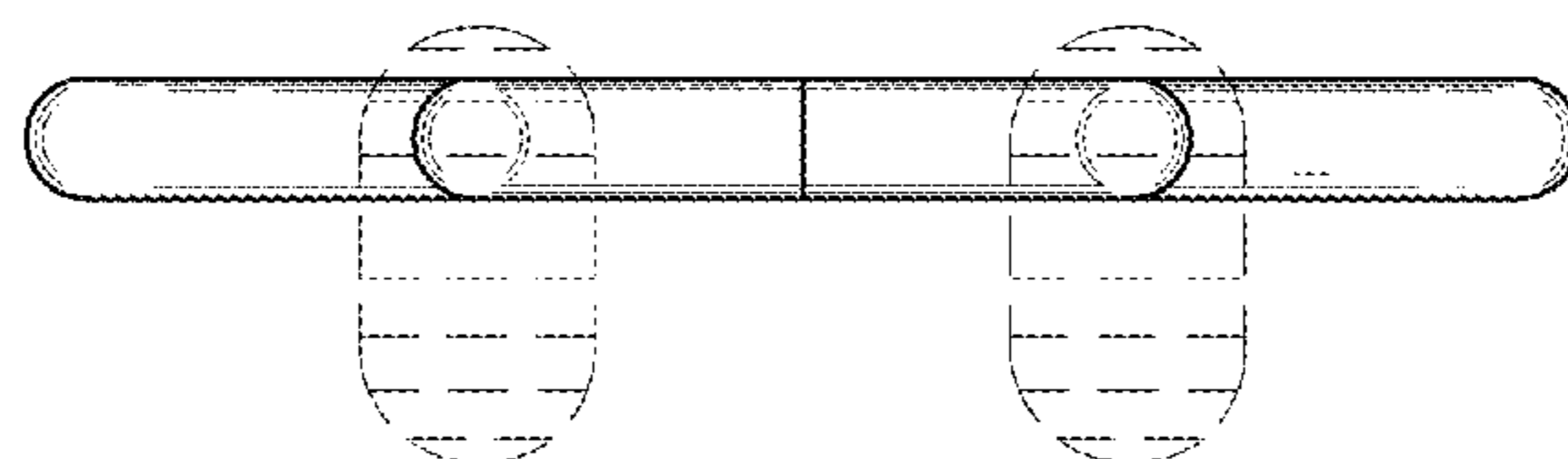
**Fig. 2**



**Fig. 3**



**Fig. 4**



**Fig. 6**