



US00D671600S

(12) **United States Design Patent**
Horne

(10) **Patent No.:** **US D671,600 S**

(45) **Date of Patent:** **** Nov. 27, 2012**

(54) **SCOOTER**

(75) Inventor: **Mike Horne**, Clayton (AU)

(73) Assignee: **Madd Gear Pty. Ltd.**, Clayton, VIC (AU)

(**) Term: **14 Years**

(21) Appl. No.: **29/410,803**

(22) Filed: **Jan. 12, 2012**

(30) **Foreign Application Priority Data**

Nov. 4, 2011 (AU) 14965/2011

(51) **LOC (9) Cl.** **21-01**

(52) **U.S. Cl.** **D21/423**

(58) **Field of Classification Search** D21/419,
D21/421, 423, 426, 769, 760, 765, 771, 803;
D12/1, 8; 280/14.21, 14.25, 14.26, 87.041,
280/87.042, 263, 288.1, 288.2, 288.4, 200,
280/214, 809; 180/180, 181

See application file for complete search history.

(56) **References Cited**

U.S. PATENT DOCUMENTS

6,139,035	A	*	10/2000	Tsai	280/87.041
D444,824	S	*	7/2001	Udwin et al.	D21/423
D446,259	S	*	8/2001	Udwin et al.	D21/423
D447,187	S	*	8/2001	Powers	D21/423
D547,388	S	*	7/2007	Thomas et al.	D21/423
D645,522	S	*	9/2011	Powers et al.	D21/423
D654,963	S	*	2/2012	Powers et al.	D21/423

* cited by examiner

Primary Examiner — Cynthia M Chin

(74) *Attorney, Agent, or Firm* — Troutman Sanders LLP;
Robert R. Elliott, Jr.

(57) **CLAIM**

The ornamental design for a scooter, as shown and described.

DESCRIPTION

FIG. 1 is a front view of a scooter;
FIG. 2 is a rear view of a scooter;
FIG. 3 is a left side view of a scooter;
FIG. 4 is a right side view of a scooter; and,
FIG. 5 is a top, left side perspective view of a scooter.
The broken lines shown in FIG. 2 are included for the purpose of illustrating portions of the scooter that do not form part of the claimed design.

1 Claim, 5 Drawing Sheets

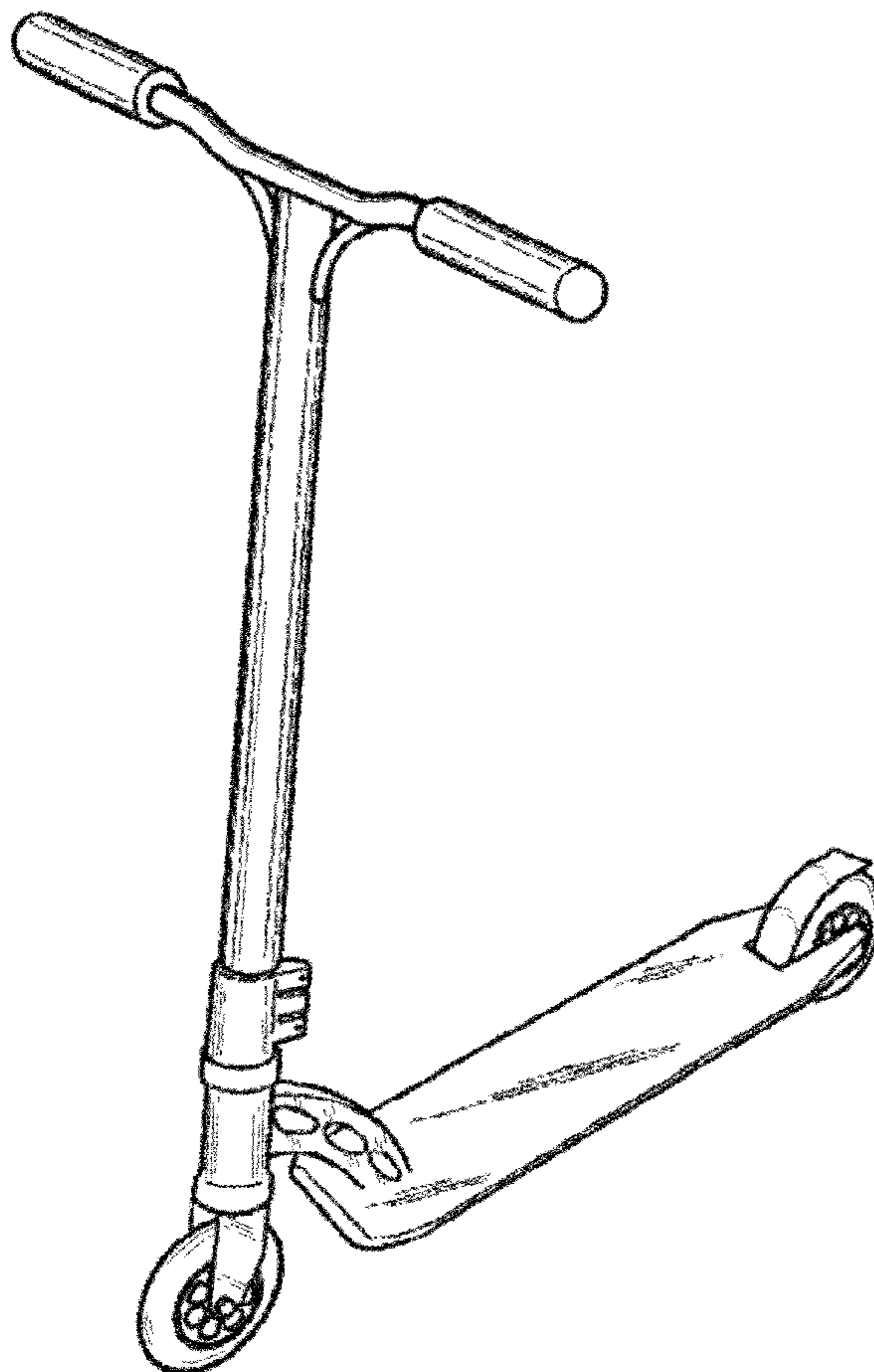


Fig. 1

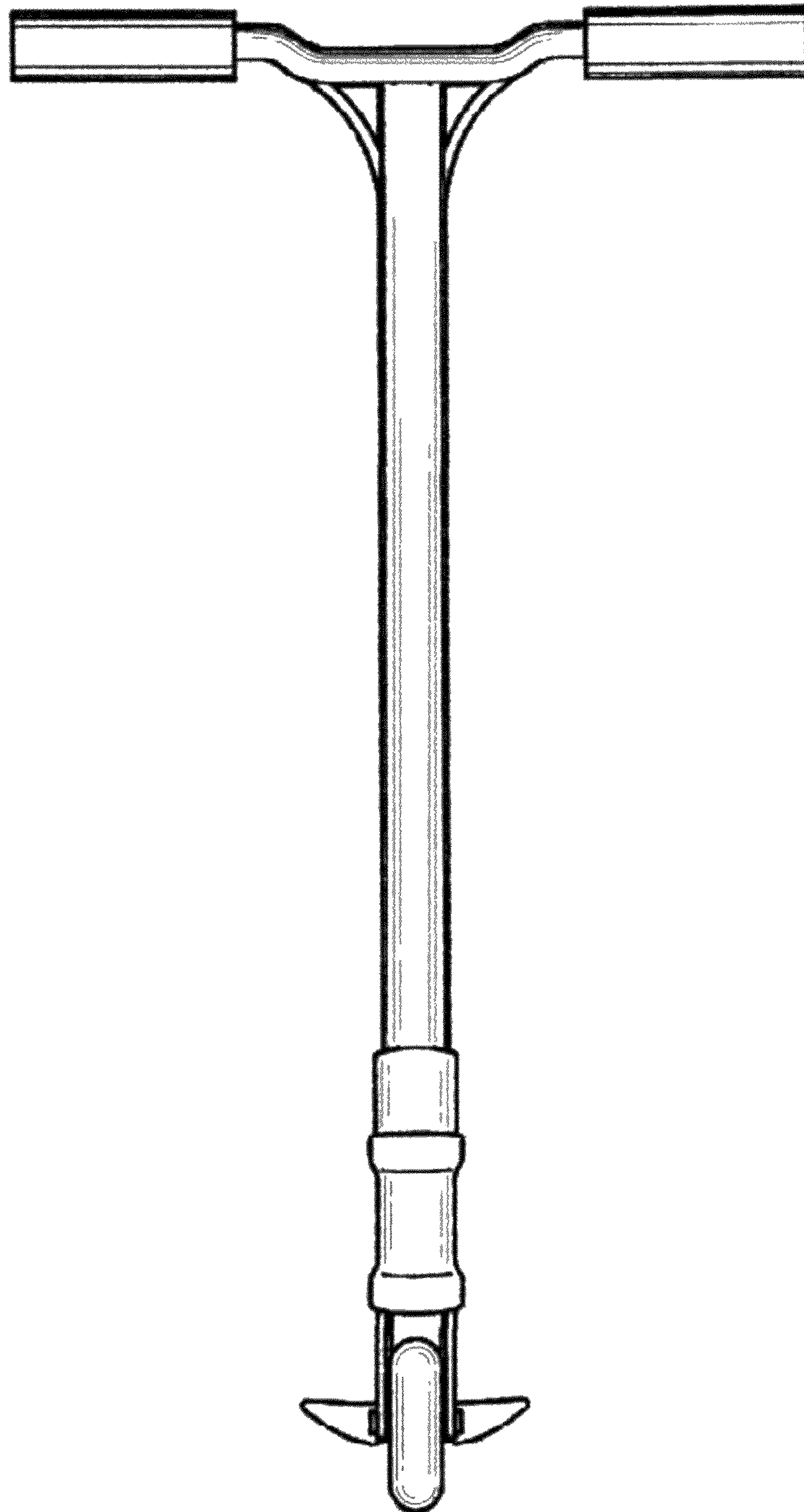


Fig. 2

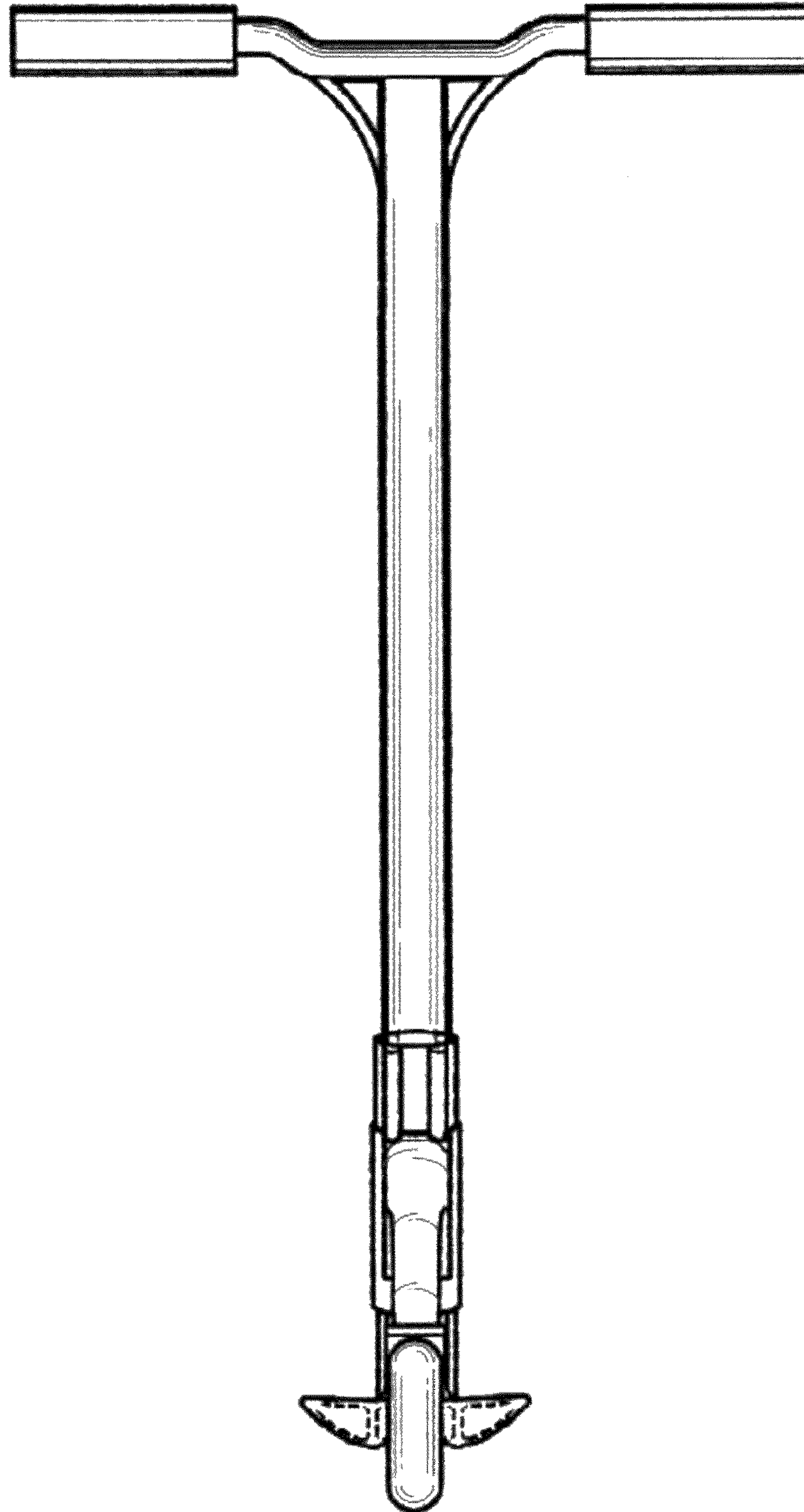


Fig. 3

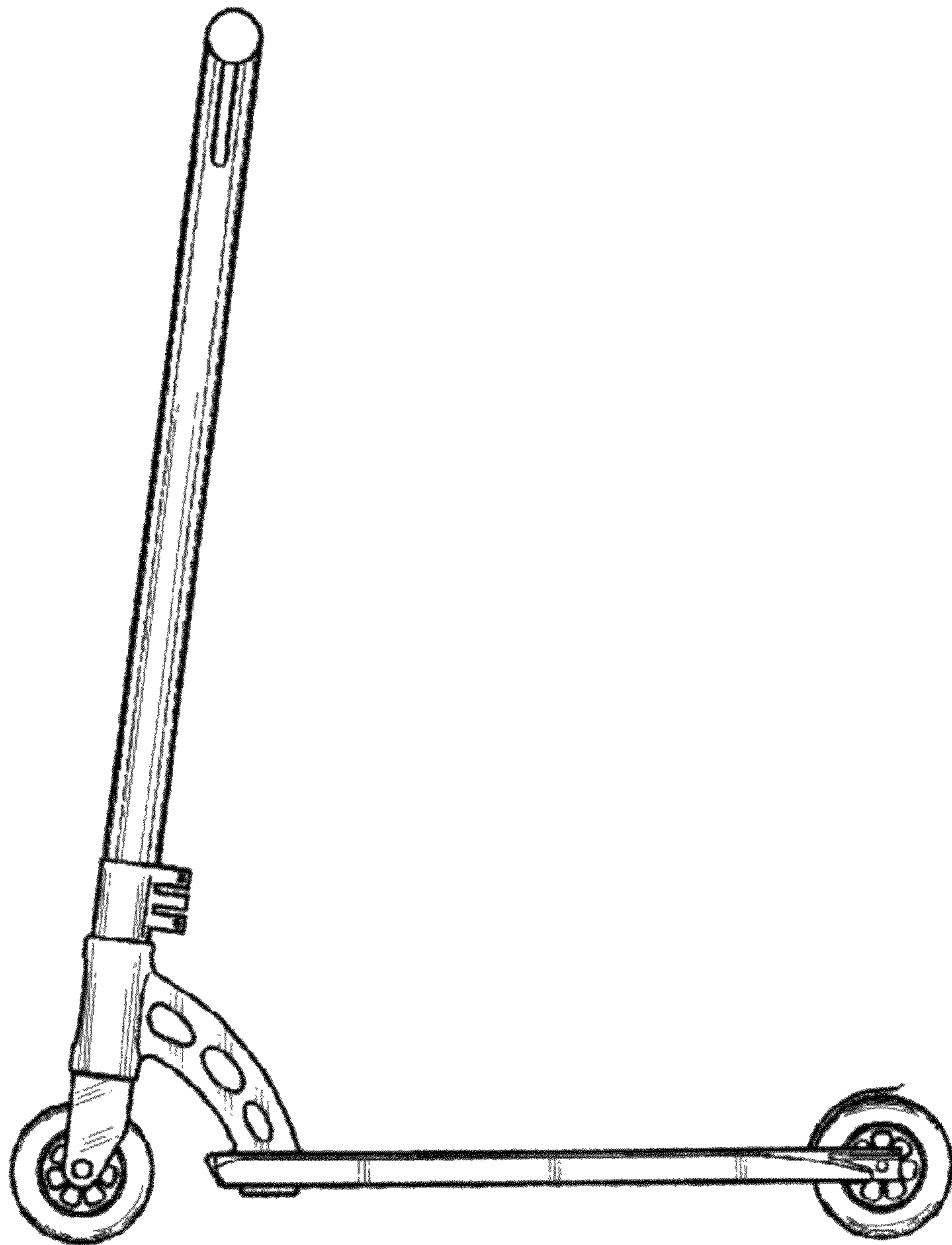


Fig. 4

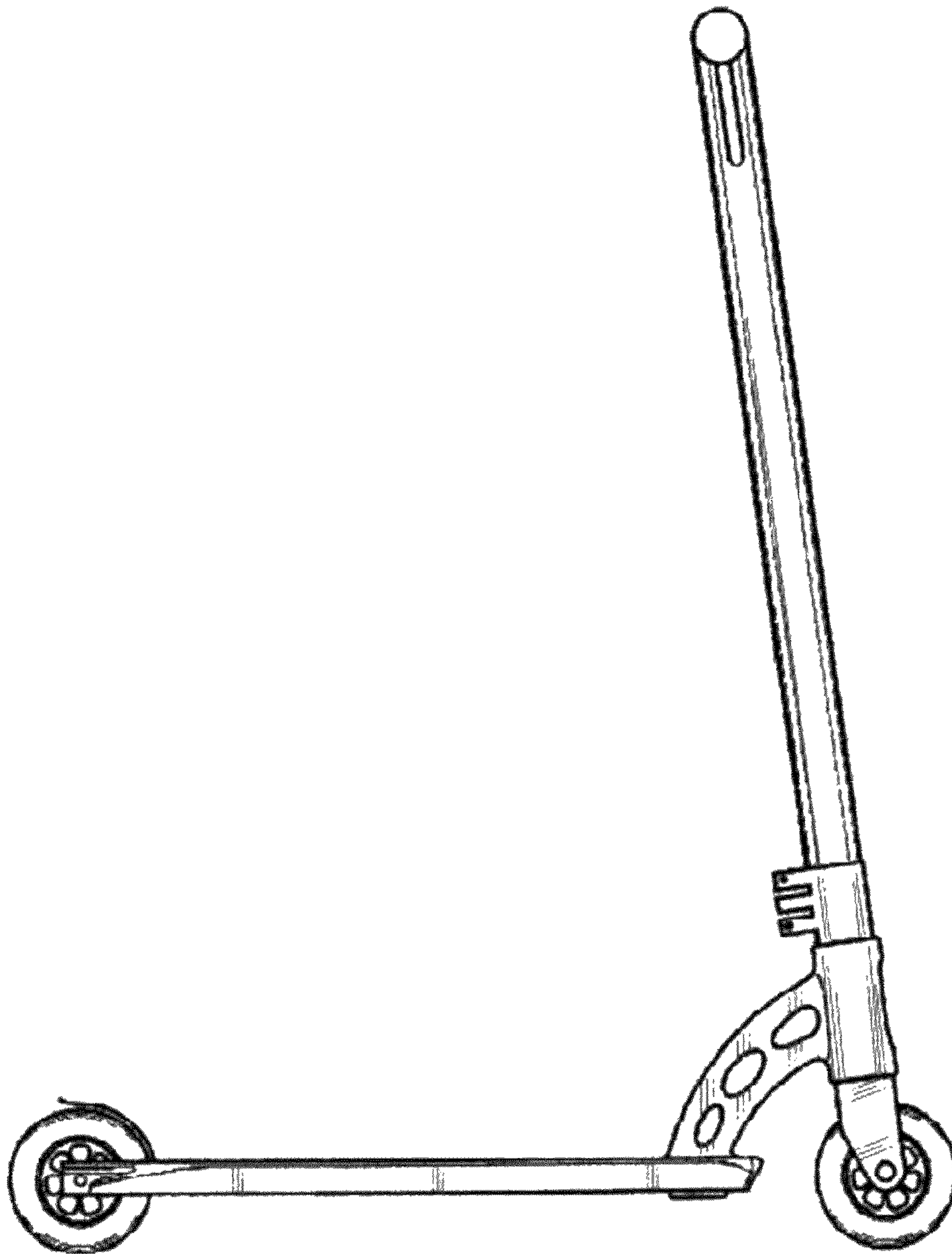


Fig. 5

