



US00D671599S

(12) **United States Design Patent**  
**Herndon**

(10) **Patent No.:** **US D671,599 S**

(45) **Date of Patent:** **\*\* Nov. 27, 2012**

(54) **BONE-SHAPED NOISEMAKER**

446/184, 188, 213, 267, 397, 418, 419, 421,  
446/486; 119/707-711

(76) Inventor: **Estelle H. Herndon**, Macon, GA (US)

See application file for complete search history.

(\*\*) Term: **14 Years**

(56) **References Cited**

(21) Appl. No.: **29/378,845**

U.S. PATENT DOCUMENTS

(22) Filed: **Nov. 10, 2010**

(51) **LOC (9) Cl.** ..... **21-01**

(52) **U.S. Cl.** ..... **D21/405; D21/406; D20/29; D30/160**

(58) **Field of Classification Search** ..... D21/371,

D21/385, 386, 398, 400, 404, 405, 406, 411,

D21/438, 493, 576, 658, 661, 680, 681, 682,

D21/684, 714, 808; D20/10, 14, 19, 23,

D20/24, 29, 30, 32, 37, 42, 99; D17/10,

D17/12, 18, 22, 24, 99; D30/155, 158, 160;

D1/106, 109, 110; D3/21, 211, 238, 248,

D3/271.1, 271.2; D4/107, 124, 125; D6/316,

D6/351, 388, 434, 435, 450, 453, 493, 497,

D6/539, 542, 563, 564, 588-590, 597, 598;

D7/506, 515, 516, 539, 551.1, 551.3, 571,

D7/573, 578, 301, 302, 594, 595, 599, 604,

D7/606, 613, 702, 619.2, 623, 625, 628, 639,

D7/651, 654, 656, 699, 389; D8/351, 305;

D9/600, 601, 607, 609, 624, 643, 667; D10/6,

D10/7, 106.4, 116.1, 119.4; D11/204, 205,

D11/217, 219, 231, 232, 238, 239, 14, 30,

D11/31, 44, 48, 49, 51, 81, 82, 99, 100, 102,

D11/125, 127, 133, 134, 149, 157, 158; D12/400,

D12/417, 191; D13/183; D14/480.2, 508,

D14/143, 176, 177, 189, 203.2, 207; D15/79,

D15/80, 90; D19/6, 7, 24, 28, 29, 34.3, 34.4,

D19/42, 53, 82, 97; D23/207, 367; D24/102,

D24/188, 208; D26/4, 16, 17, 57, 73, 94,

D26/98; D27/113, 116, 149, 178, 179, 188,

D27/192; D28/6, 8.2, 22, 37, 59, 63, 67,

D28/79, 80, 87; D32/43; 446/76, 81, 183,

D340,491 S \* 10/1993 Nass ..... D21/720

D394,414 S \* 5/1998 Catalano ..... D11/133

5,912,285 A \* 6/1999 Godsey ..... 524/17

D529,279 S \* 10/2006 Parks ..... D3/203.3

D540,181 S \* 4/2007 Edwards ..... D9/600

D551,977 S \* 10/2007 Daniels ..... D9/456

D576,357 S \* 9/2008 Rutherford et al. .... D30/160

7,793,618 B2 \* 9/2010 Edwards et al. .... 119/709

D634,506 S \* 3/2011 de Socio ..... D1/106

D657,924 S \* 4/2012 Soegaard ..... D32/40

2006/0081195 A1 \* 4/2006 Jiang ..... 119/709

2008/0029045 A1 \* 2/2008 Willinger ..... 119/710

\* cited by examiner

*Primary Examiner* — Catherine Tuttle

(74) *Attorney, Agent, or Firm* — Withers & Keys, LLC

(57) **CLAIM**

The ornamental design for a bone-shaped noisemaker, as shown and described.

**DESCRIPTION**

FIG. 1 is a perspective view of the bone-shaped noisemaker showing my new design;

FIG. 2 is a front elevational view thereof;

FIG. 3 is a rear elevational view thereof;

FIG. 4 is a top plan view thereof;

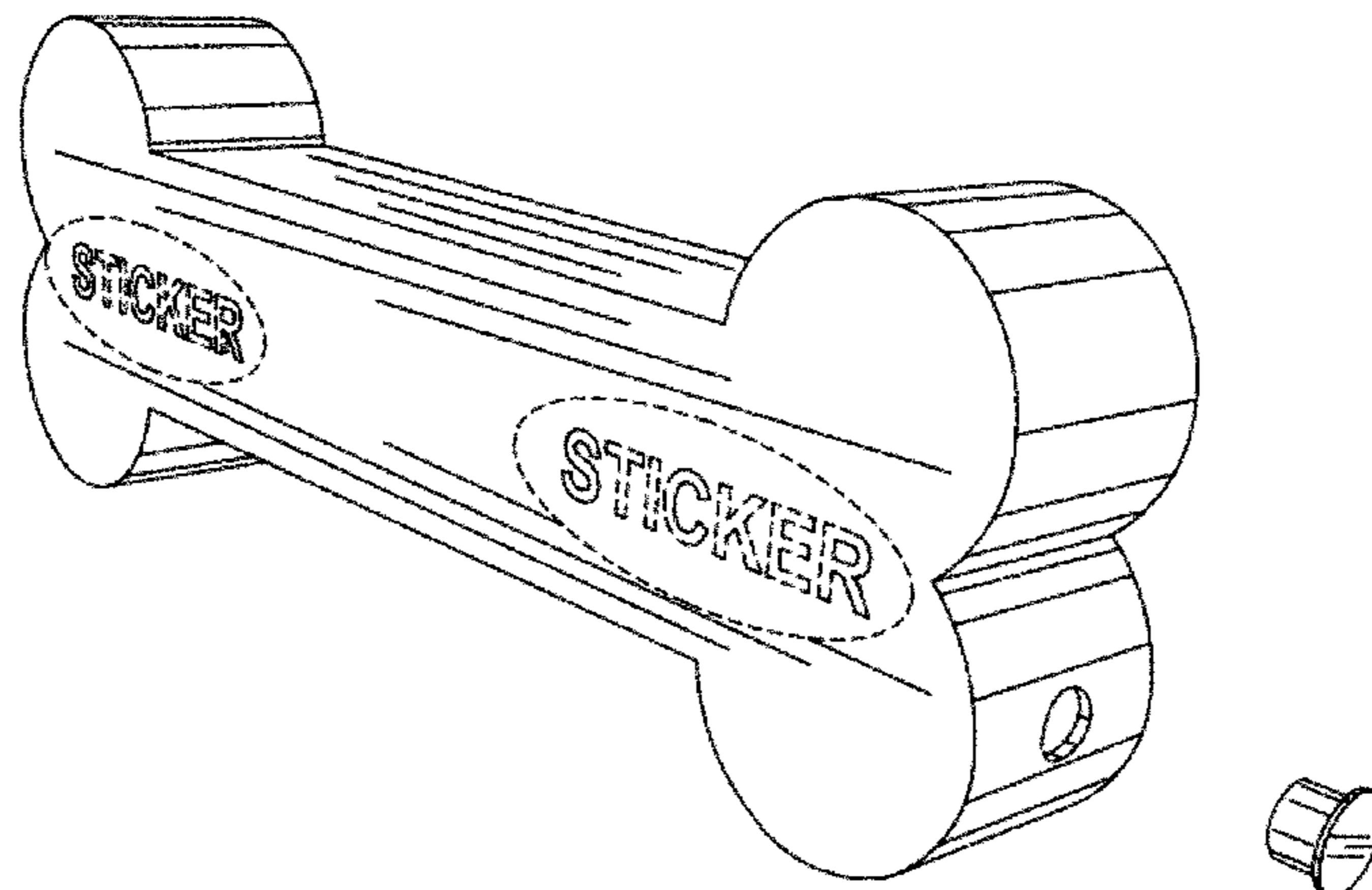
FIG. 5 is a left end elevational view thereof;

FIG. 6 is a right end elevational view thereof; and,

FIG. 7 is a perspective view thereof shown with the plug/stopper in a separated state.

The broken lines are included for the purpose of illustrating surface features that form no part of the claimed design.

**1 Claim, 6 Drawing Sheets**



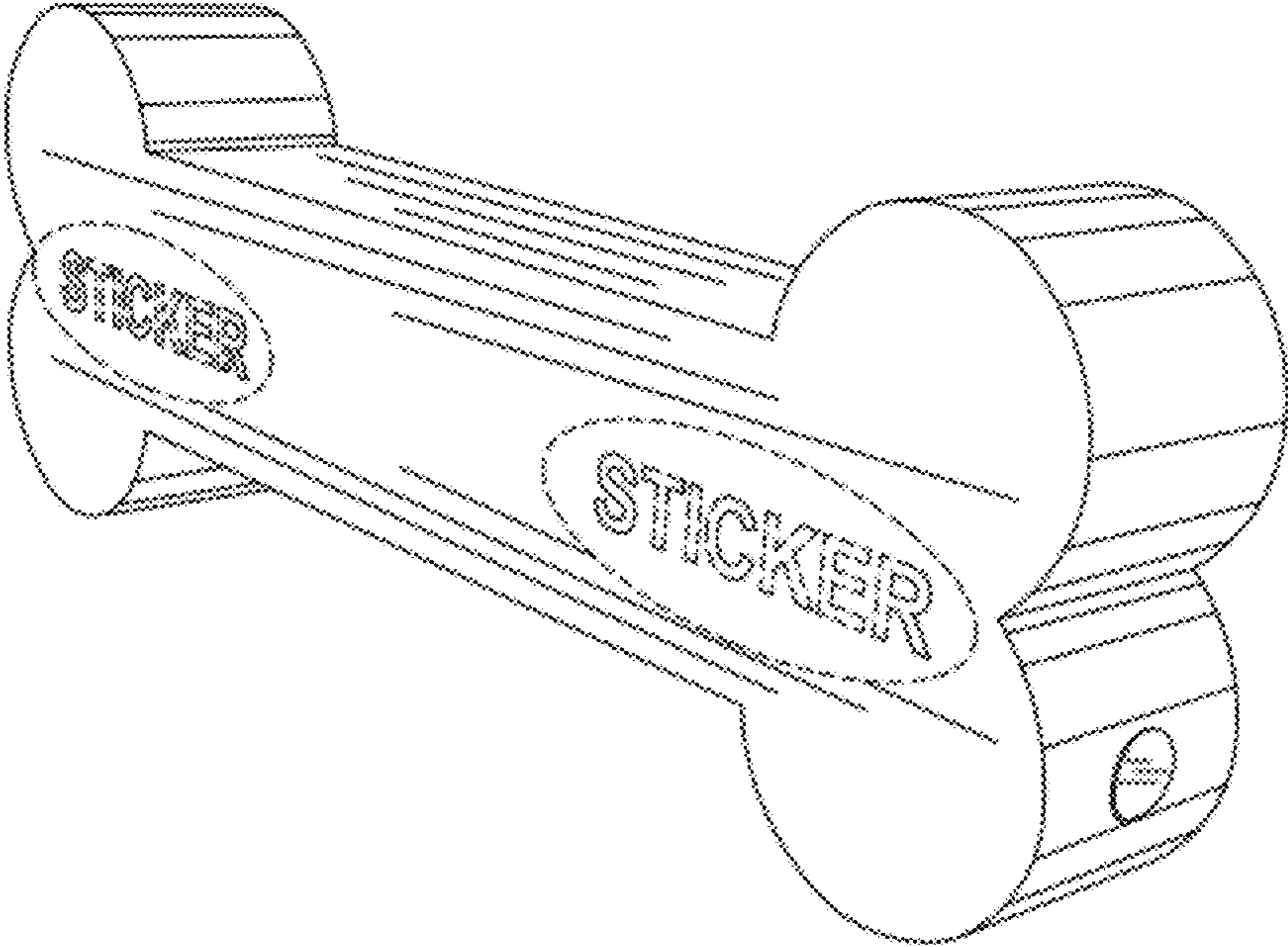


FIG. 1

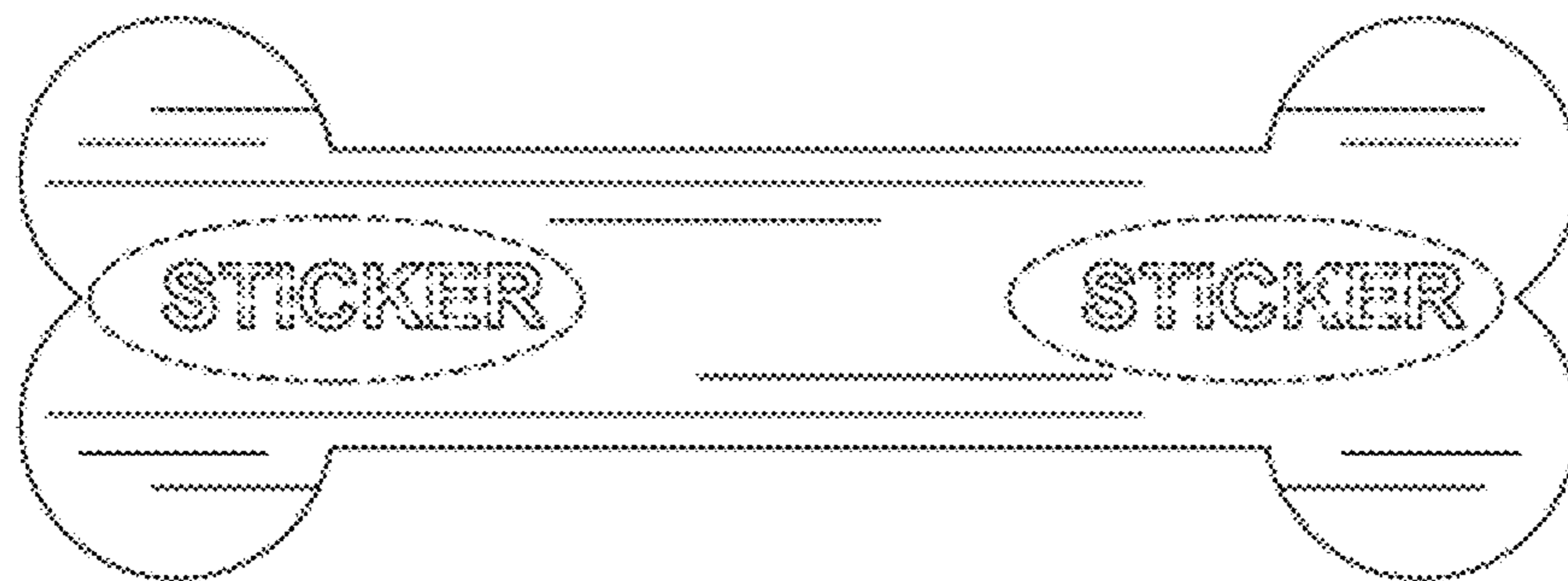


FIG. 2

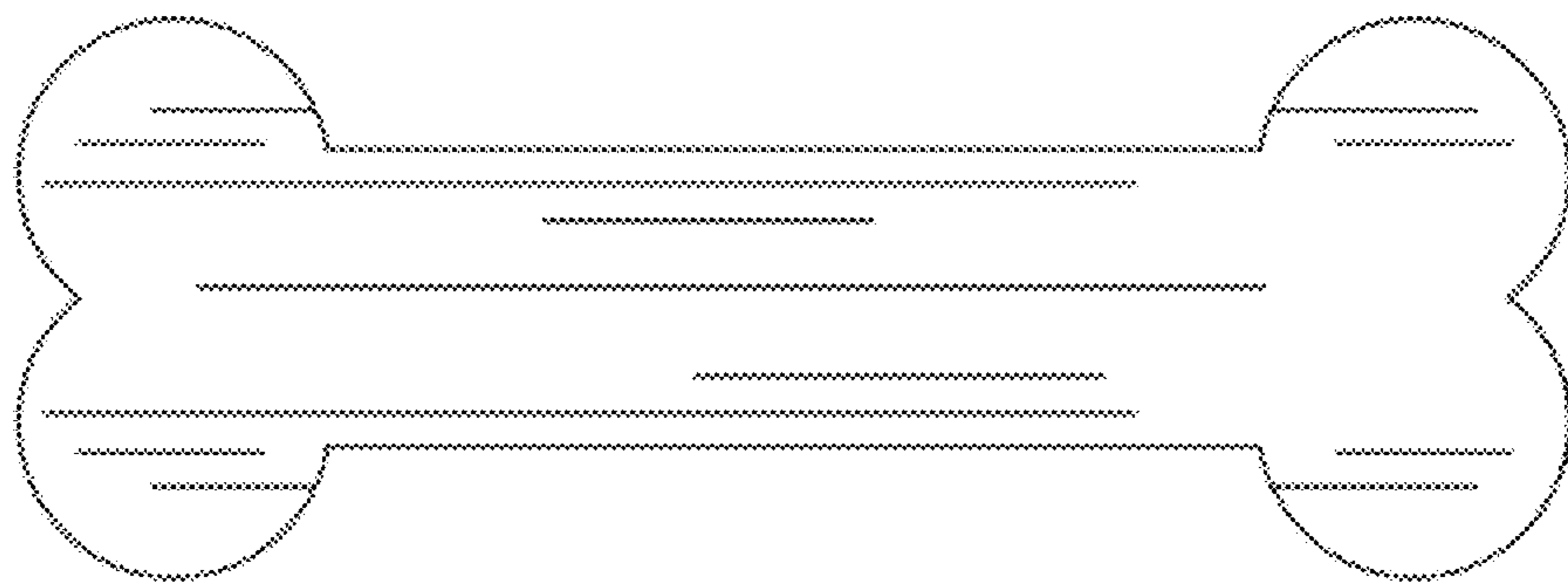


FIG. 3

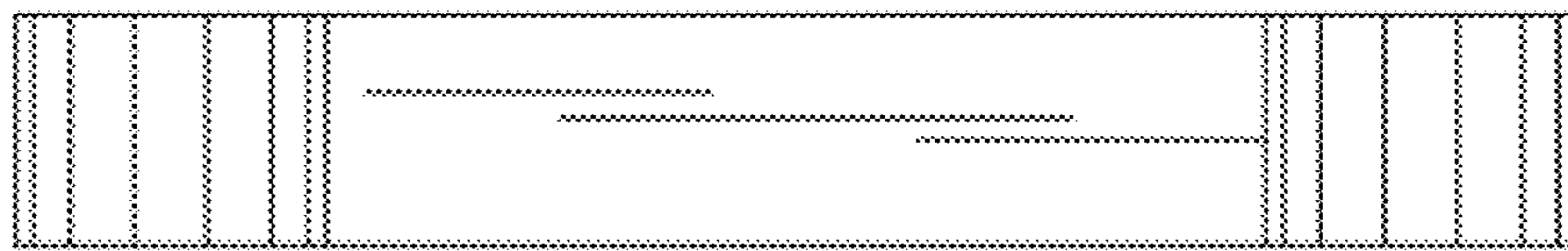


FIG. 4

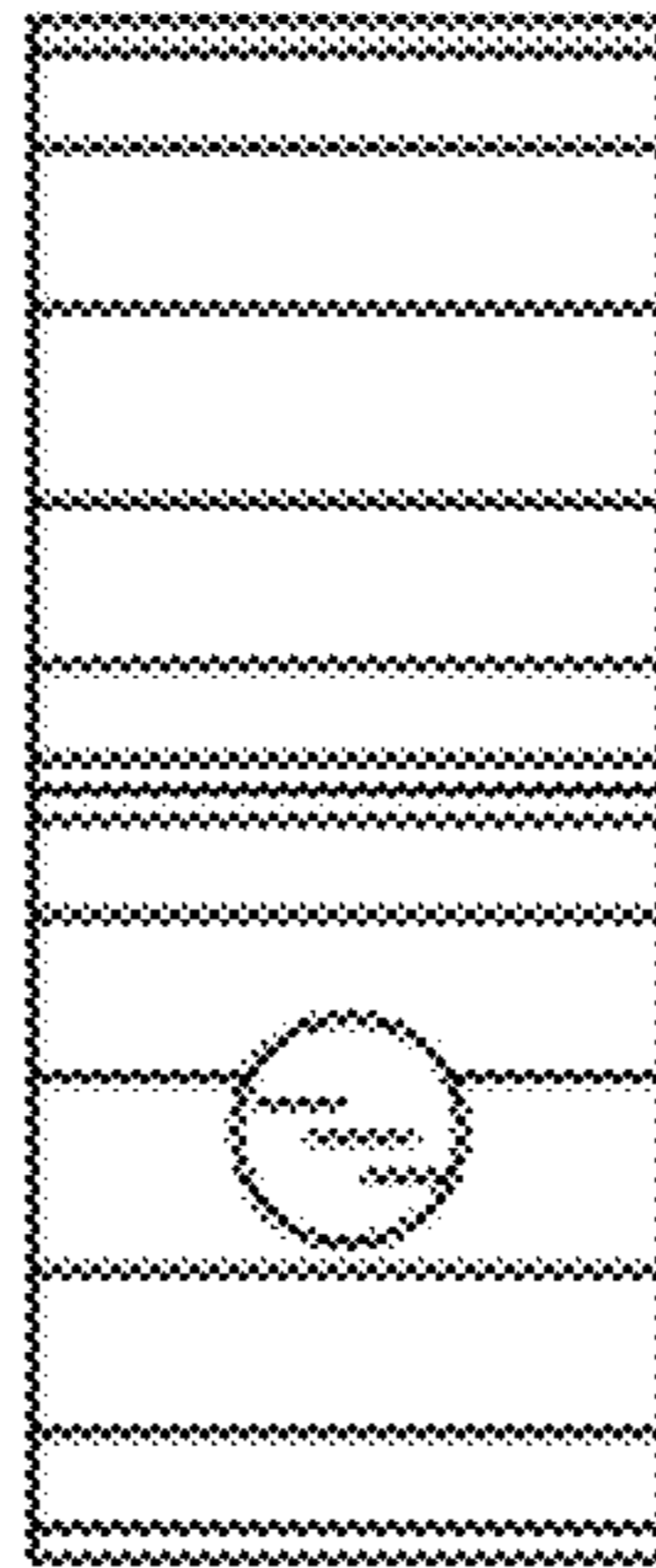


FIG. 5

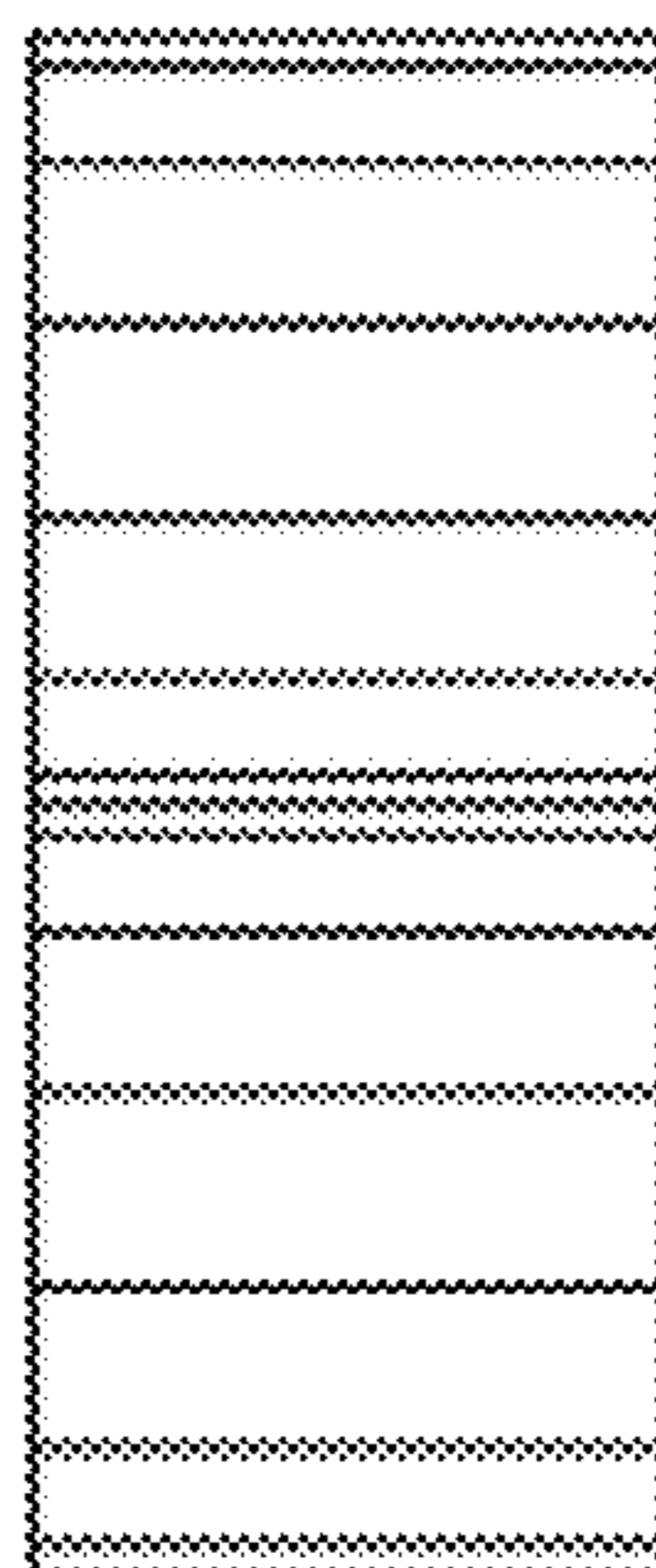


FIG. 6

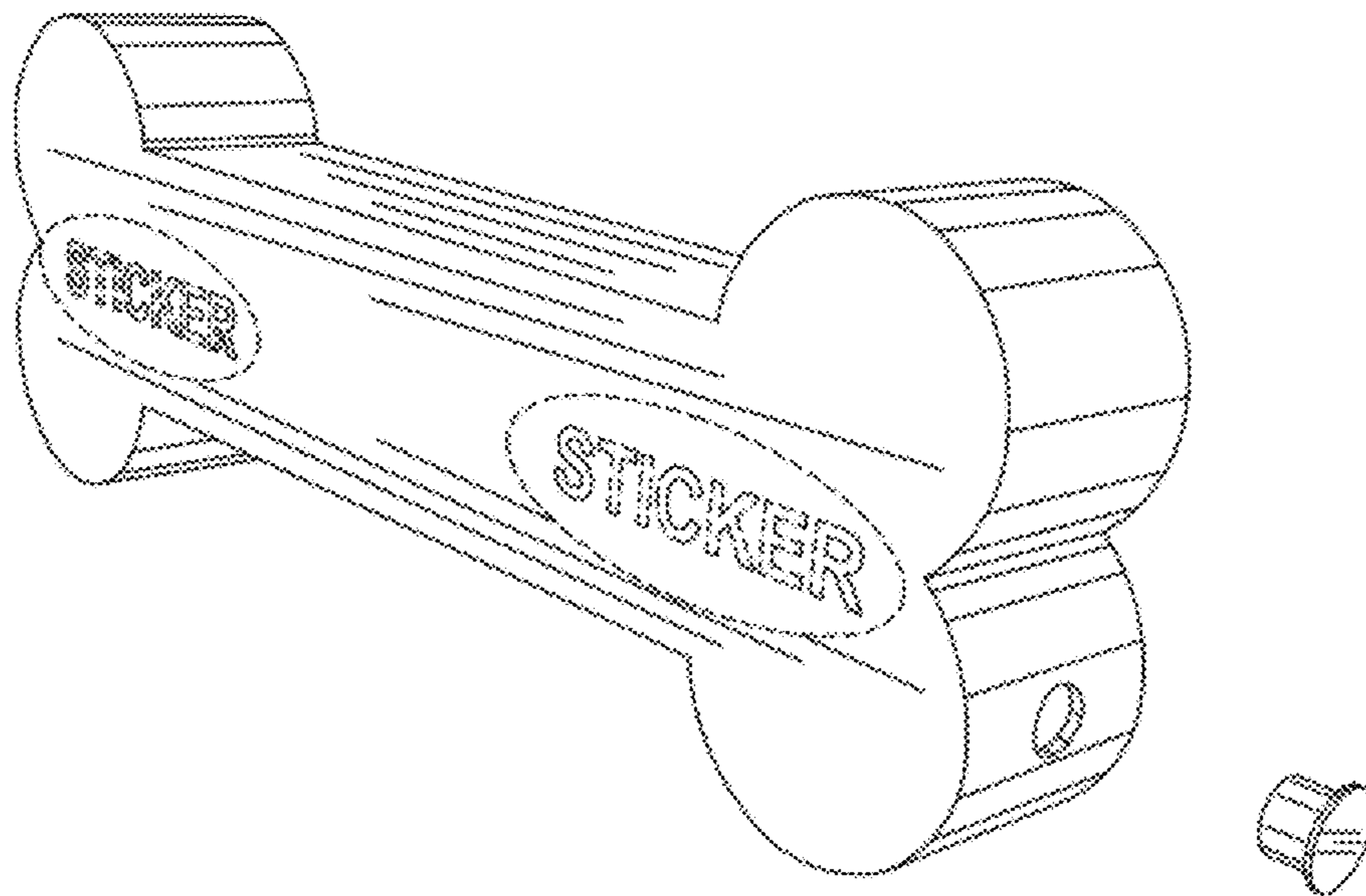


FIG. 7