



US00D671597S

(12) **United States Design Patent**
Sim

(10) **Patent No.:** **US D671,597 S**

(45) **Date of Patent:** **** Nov. 27, 2012**

(54) **DISPLAY STAND BASE**

(75) Inventor: **Boon Keng Sim**, Singapore (SG)

(73) Assignee: **Botak Sign Pte Ltd**, Singapore (SG)

(**) Term: **14 Years**

(21) Appl. No.: **29/401,273**

(22) Filed: **Sep. 9, 2011**

(30) **Foreign Application Priority Data**

Mar. 22, 2011 (SG) D2011/400/1

(51) **LOC (9) Cl.** **20-03**

(52) **U.S. Cl.** **D20/43**

(58) **Field of Classification Search** D20/10,
D20/19, 42-44, 99; 40/385, 514, 518, 603,
40/604, 610, 642.02, 643, 644, 649, 655,
40/658, 661, 661.03, 661.06, 661.11, 662
See application file for complete search history.

(56) **References Cited**

U.S. PATENT DOCUMENTS

D468,362	S *	1/2003	Zarelius	D20/99
6,571,496	B2 *	6/2003	Zarelius	40/514
D562,909	S *	2/2008	Meijer	D20/43
D578,574	S *	10/2008	Lundgren	D20/99
D592,706	S *	5/2009	Zarelius	D20/43
D616,034	S *	5/2010	Carlsson et al.	D20/43
2002/0050083	A1 *	5/2002	Zarelius	40/514

FOREIGN PATENT DOCUMENTS

EM	001870502-0001	*	5/2011
EM	001870502-0002	*	5/2011

* cited by examiner

Primary Examiner — Mary Ann Calabrese

(74) *Attorney, Agent, or Firm* — Seed IP Law Group PLLC

(57) **CLAIM**

The ornamental design for a display stand base, as shown and described.

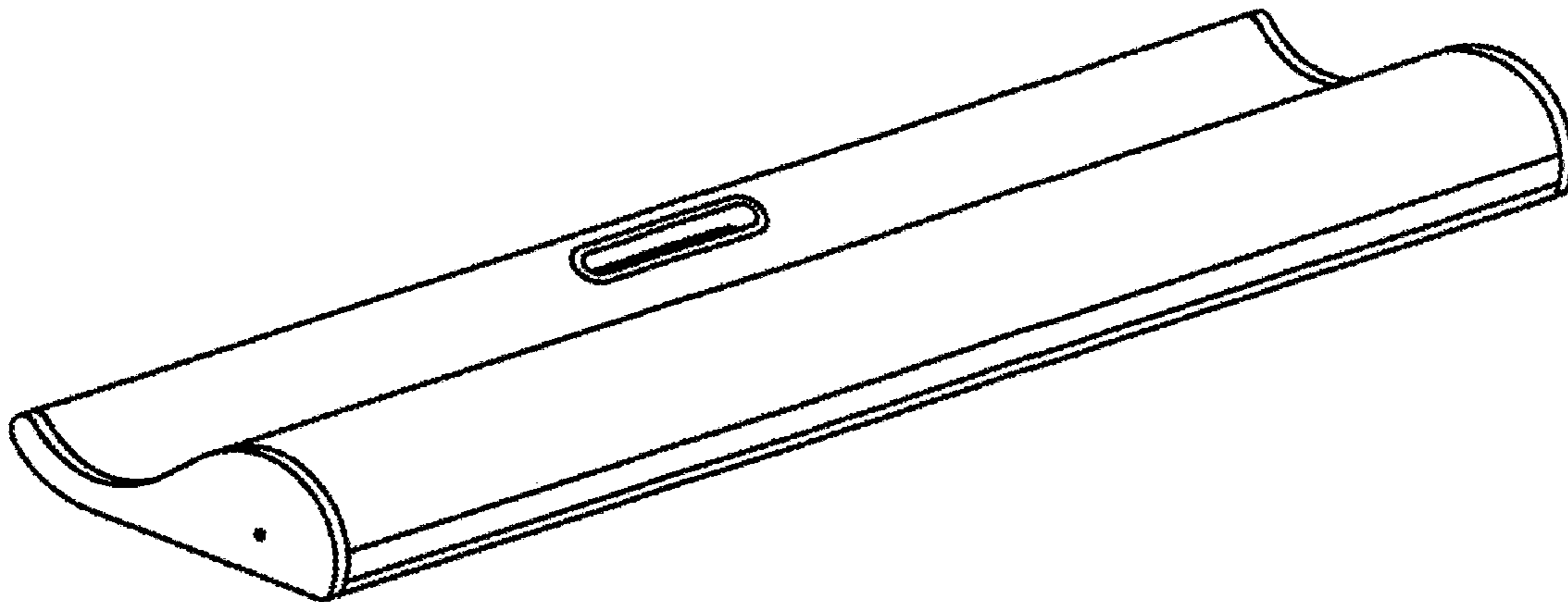
DESCRIPTION

FIG. 1 shows a front perspective view of a display stand base. FIG. 2 shows a rear perspective view of the display stand base. FIG. 3 shows a front view of the display stand base. FIG. 4 shows a rear view of the display stand base. FIG. 5 shows a right side view of the display stand base. FIG. 6 shows a left side view of the display stand base. FIG. 7 shows a top view of the display stand base. FIG. 8 shows a bottom view of the display stand base; and, FIG. 9 shows a rear perspective view of the display stand base with optional poster paper and pole.

In the drawings, the broken lines in the figures illustrate environment and form no part of the claimed design.

The design relates to a display stand base. Essentially the display stand base is for a type of free-standing roll up display system or easy roll display system for exhibition use, for example. The display stand base may act as a container for the print (poster paper for example) to be displayed, which may roll into it. The print may be pulled out from the display stand base for display and then held in place by a pole secured in the display stand base. The display stand base may also be used in other type of display systems.

1 Claim, 9 Drawing Sheets



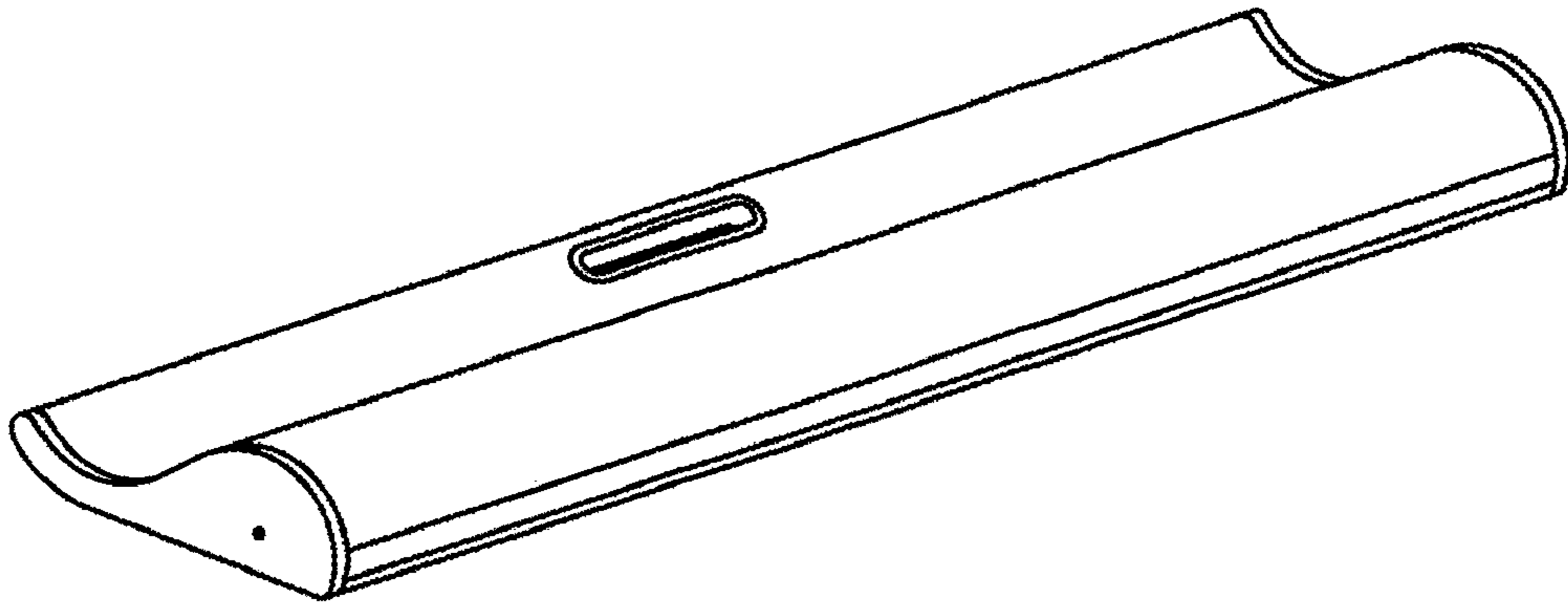


FIG. 1

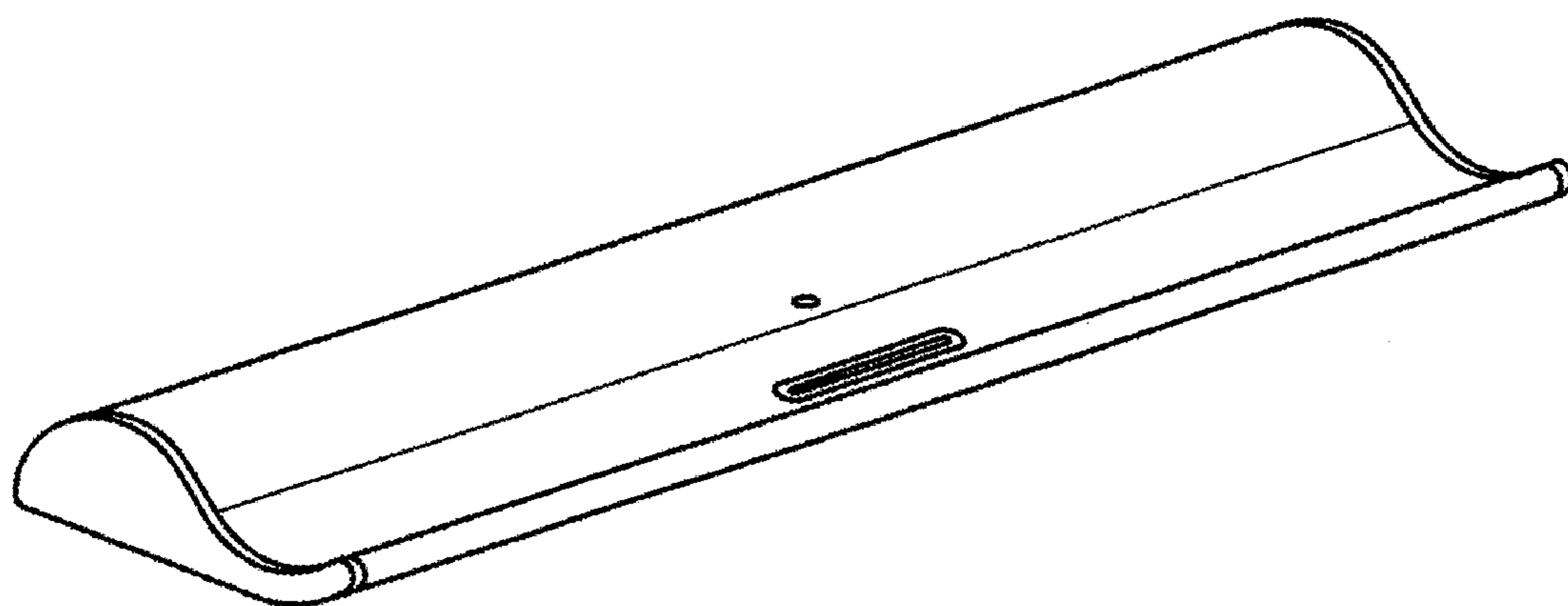


FIG. 2

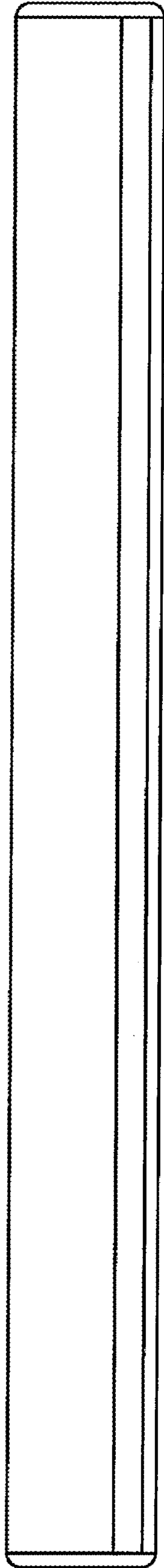


FIG. 3

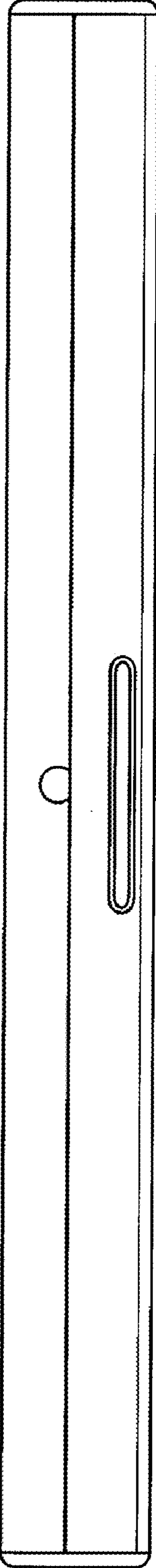


FIG. 4

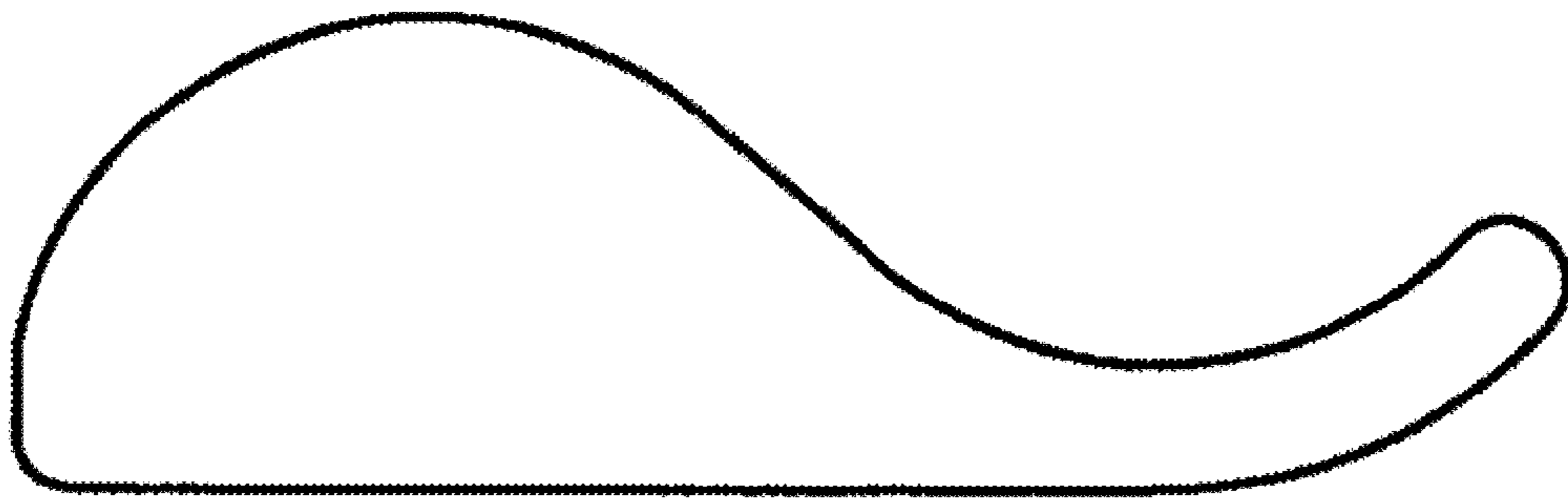


FIG. 5

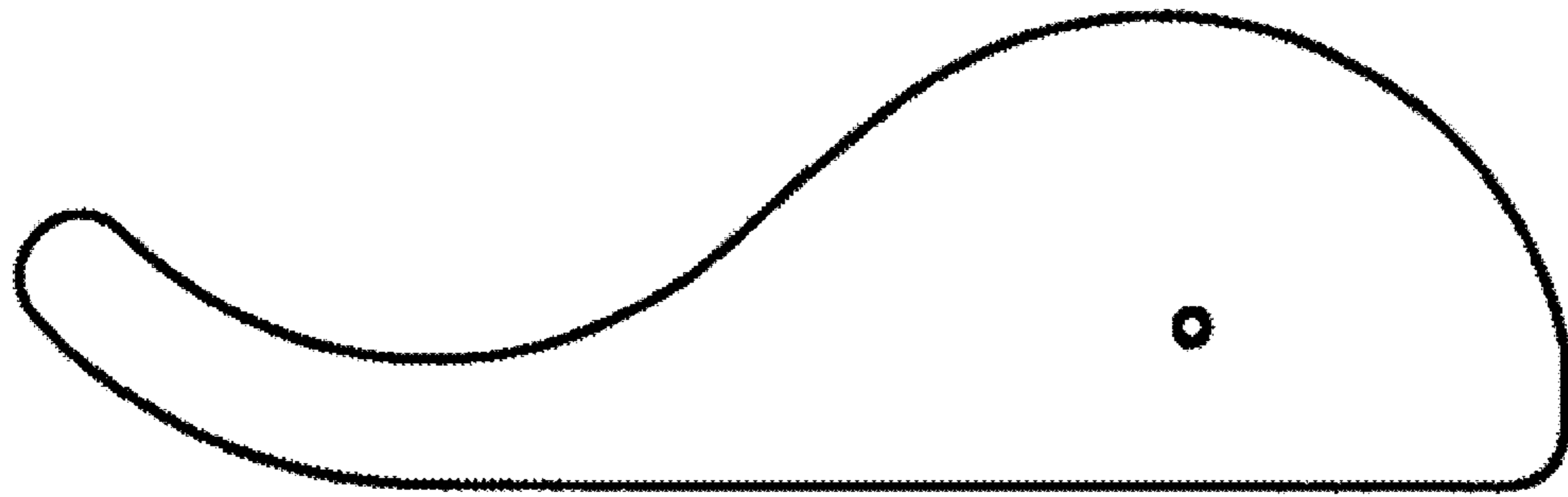


FIG. 6

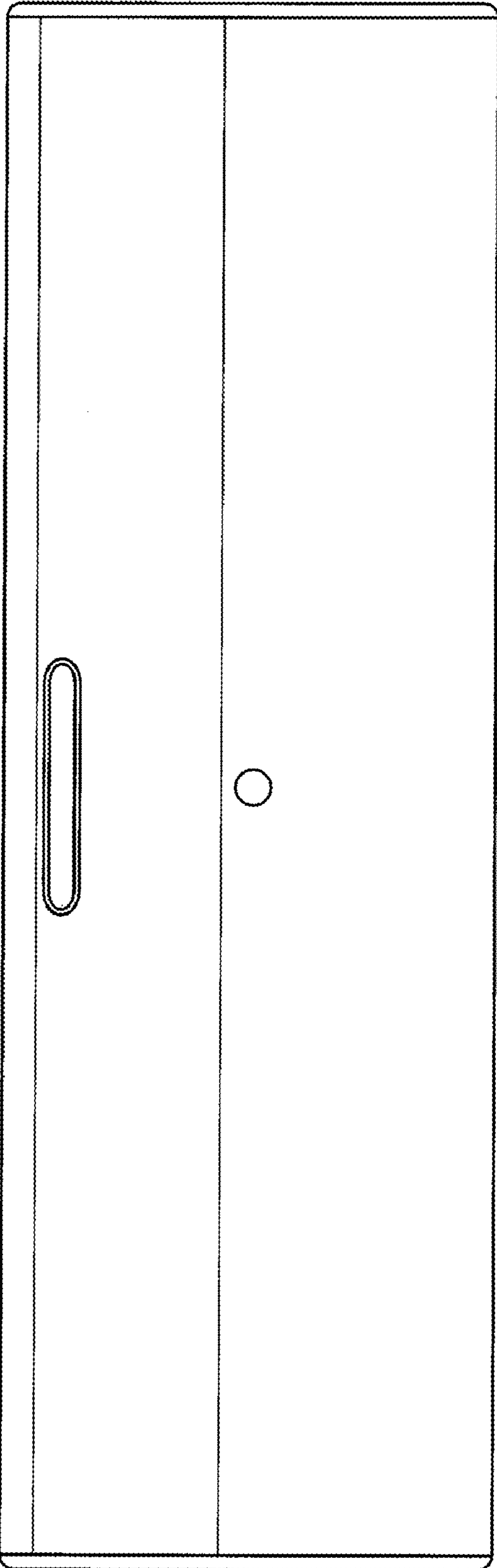


FIG. 7

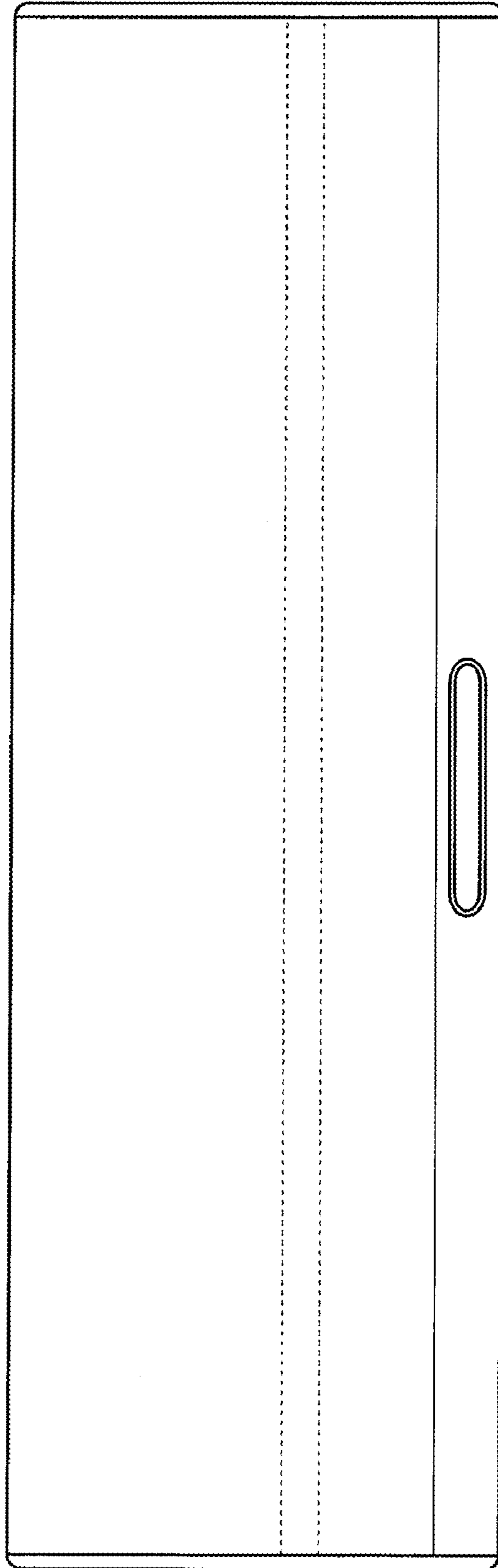


FIG. 8

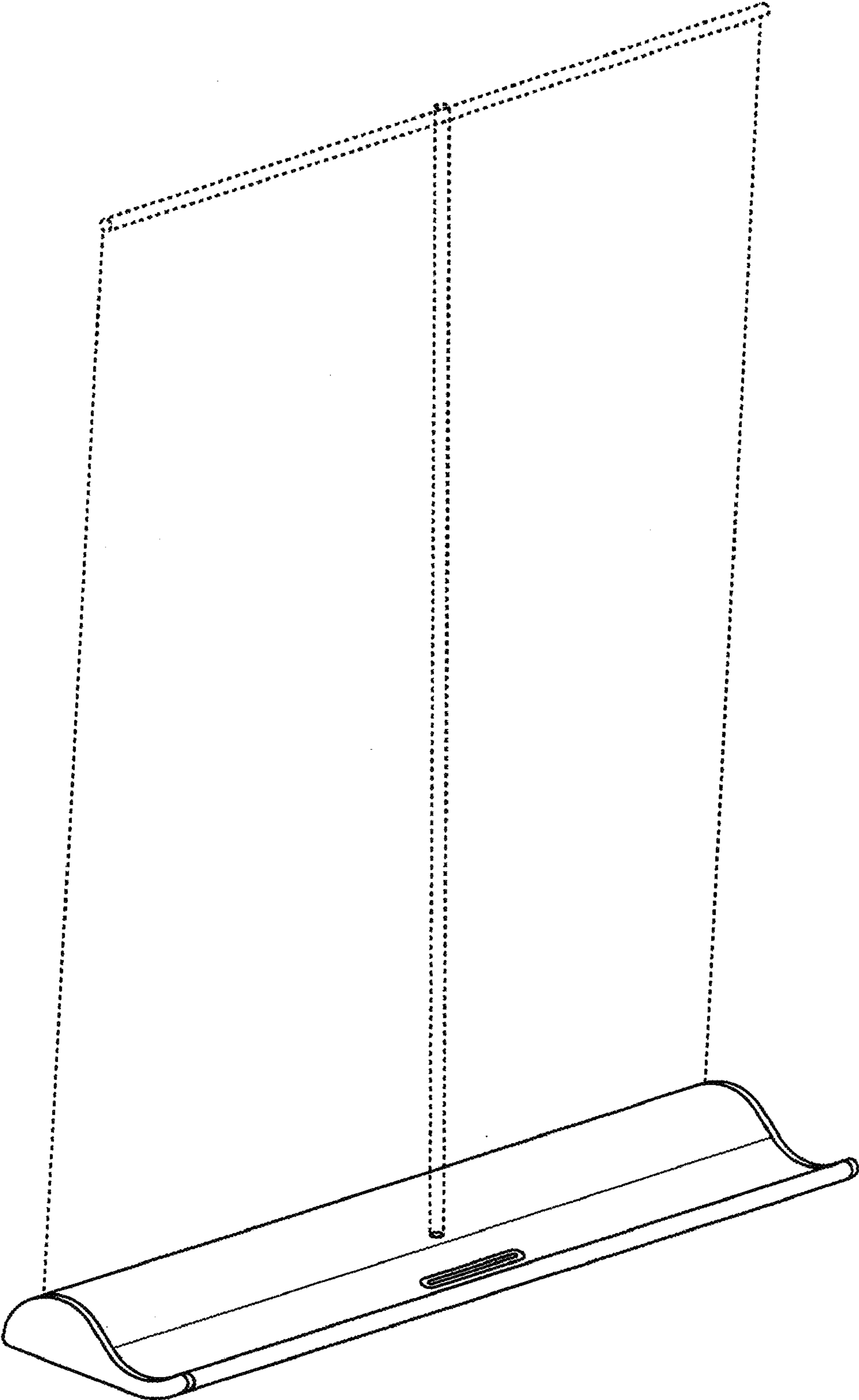


FIG. 9