



US00D671596S

(12) **United States Design Patent**
Ruthe-Steinsiek

(10) **Patent No.:** **US D671,596 S**

(45) **Date of Patent:** **** Nov. 27, 2012**

(54) **DISPENSER**

(75) Inventor: **Kai Ruthe-Steinsiek**, Duesseldorf (DE)

(73) Assignee: **Henkel AG & Co. KGaA**, Duessekendorf (DE)

(**) Term: **14 Years**

(21) Appl. No.: **29/414,825**

(22) Filed: **Mar. 5, 2012**

(30) **Foreign Application Priority Data**

Sep. 7, 2011 (EM) 001913732

(51) **LOC (9) Cl.** **19-02**

(52) **U.S. Cl.** **D19/69**

(58) **Field of Classification Search** D19/70,
D19/69, 36, 68; 242/588.6, 588.2; 225/77,
225/6, 56, 39, 26, 25, 19, 11; 206/411; 156/577,
156/527, 523

See application file for complete search history.

(56) **References Cited**

U.S. PATENT DOCUMENTS

2,977,034	A *	3/1961	Bartlett	225/47
4,088,276	A *	5/1978	Littleton	242/396.5
4,459,058	A *	7/1984	Bennett	401/88
D280,667	S *	9/1985	Bennett	D28/7
5,133,980	A *	7/1992	Ream et al.	426/115
D431,341	S *	9/2000	DiPaolo et al.	D99/34
D442,363	S *	5/2001	Magid et al.	D3/208

D442,993	S *	5/2001	Eisen	D19/73
D463,104	S *	9/2002	Ames	D3/207
D466,940	S *	12/2002	Gstalter	D19/73
D479,689	S *	9/2003	Altonen et al.	D9/516
D506,290	S *	6/2005	Longoni	D28/66
D561,565	S *	2/2008	Mitchell	D8/358
D568,692	S *	5/2008	Lam	D7/629
D586,675	S *	2/2009	Wagner et al.	D10/72
D590,444	S *	4/2009	Farnworth et al.	D19/73
7,641,087	B2 *	1/2010	Chang	225/43
D616,941	S *	6/2010	Bradfield	D19/69
D618,906	S *	7/2010	Covington et al.	D3/208

* cited by examiner

Primary Examiner — Austin Murphy

(74) *Attorney, Agent, or Firm* — Steven C. Bauman; James E. Piotrowski

(57) **CLAIM**

The ornamental design for a dispenser, as shown and described.

DESCRIPTION

FIG. 1 is a perspective view of a dispenser according to the new design;

FIG. 2 is a side view thereof;

FIG. 3 is a side view from the side opposite FIG. 2 thereof;

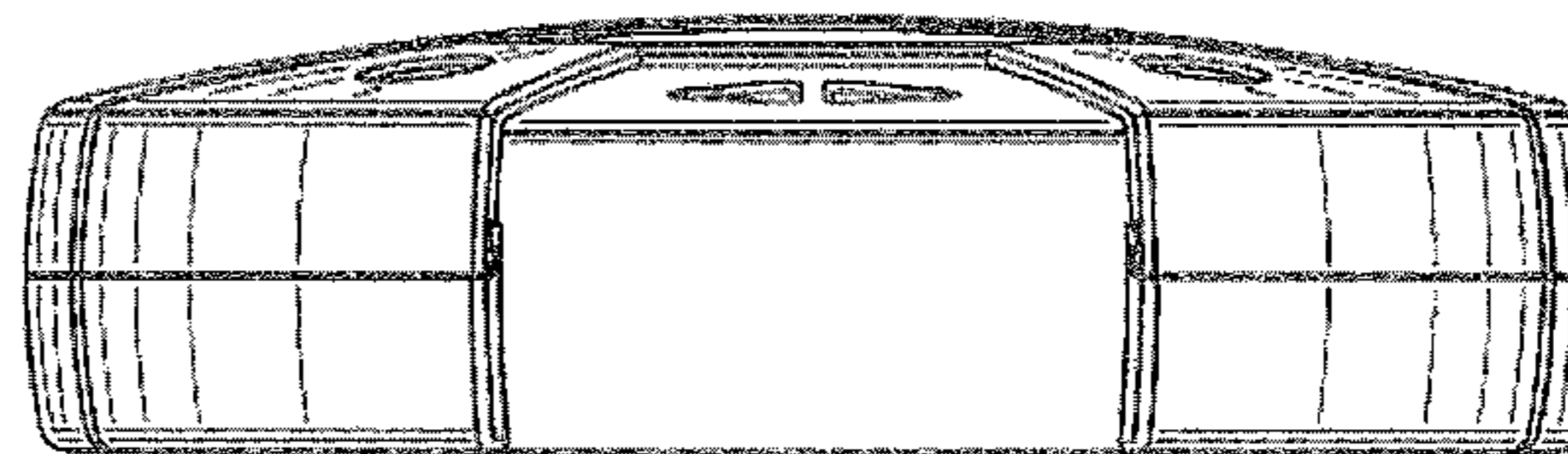
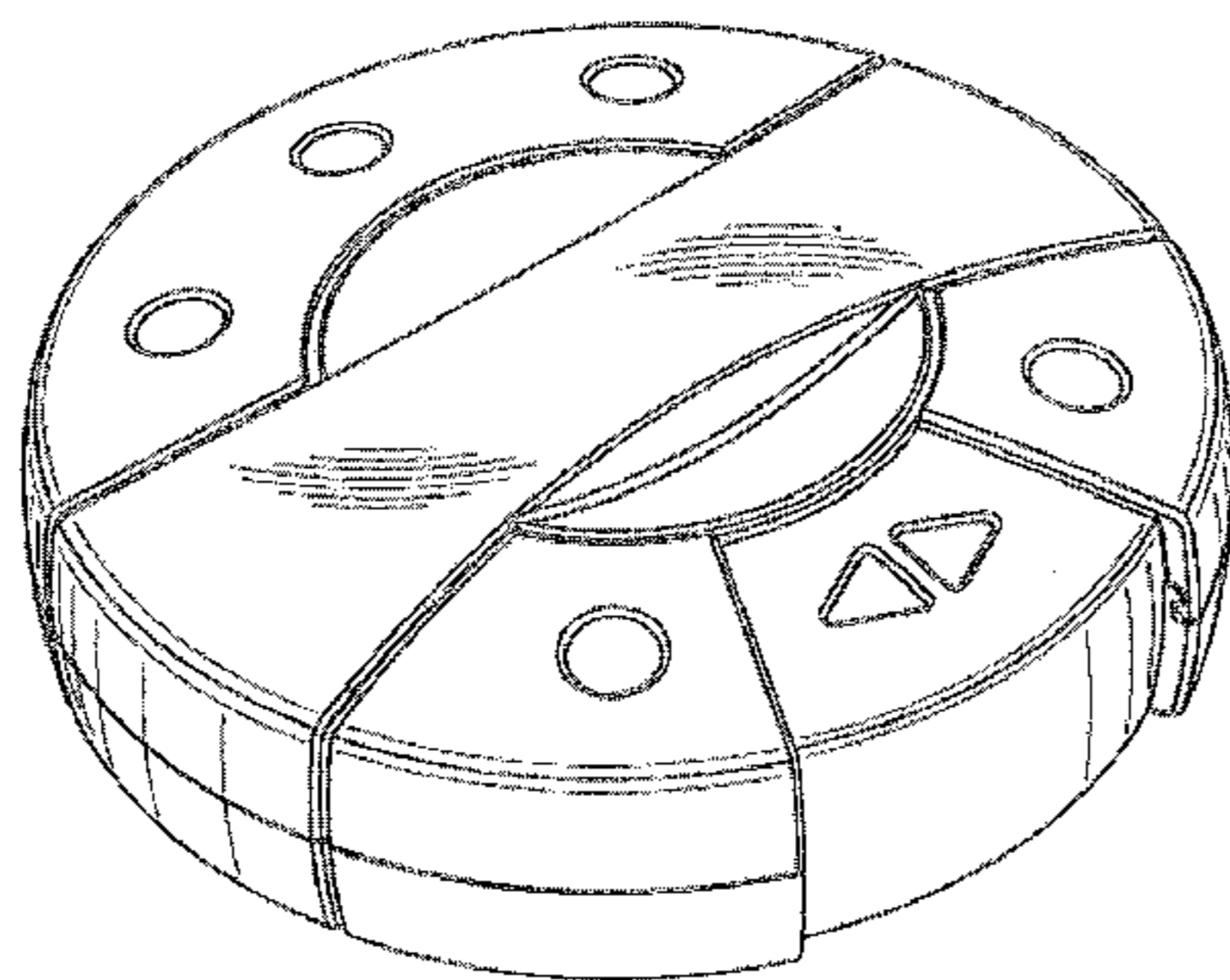
FIG. 4 is a side view thereof;

FIG. 5 is a side view thereof;

FIG. 6 is a top perspective view thereof; and,

FIG. 7 is a bottom view thereof.

1 Claim, 4 Drawing Sheets



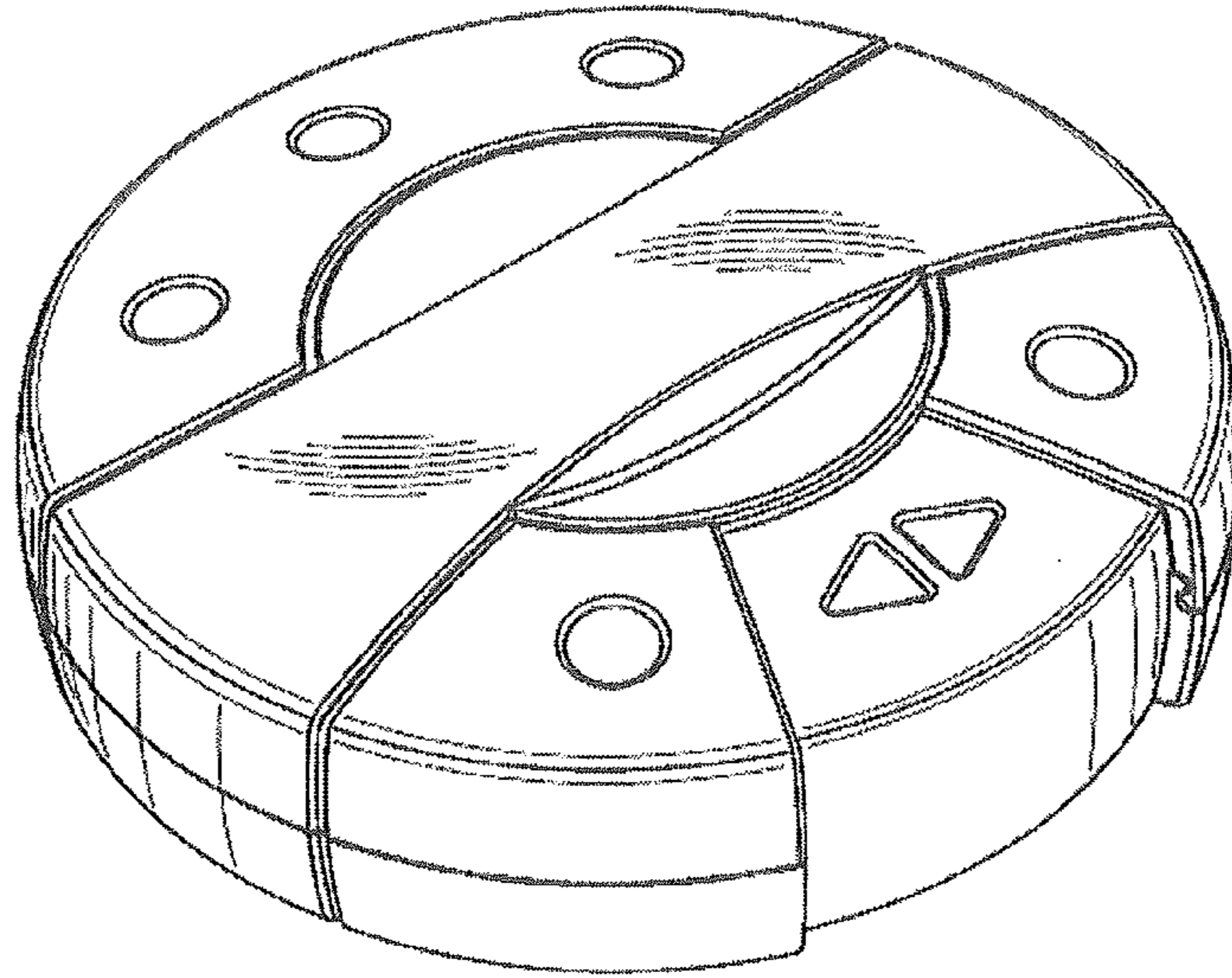


FIG. 1

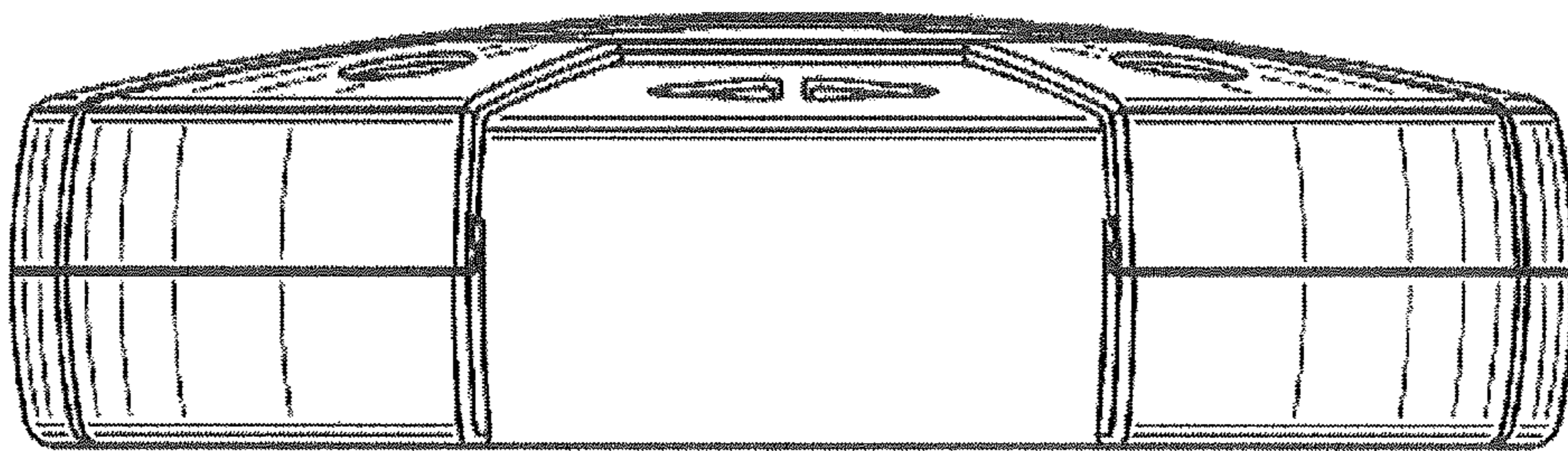


FIG. 2

FIG. 3

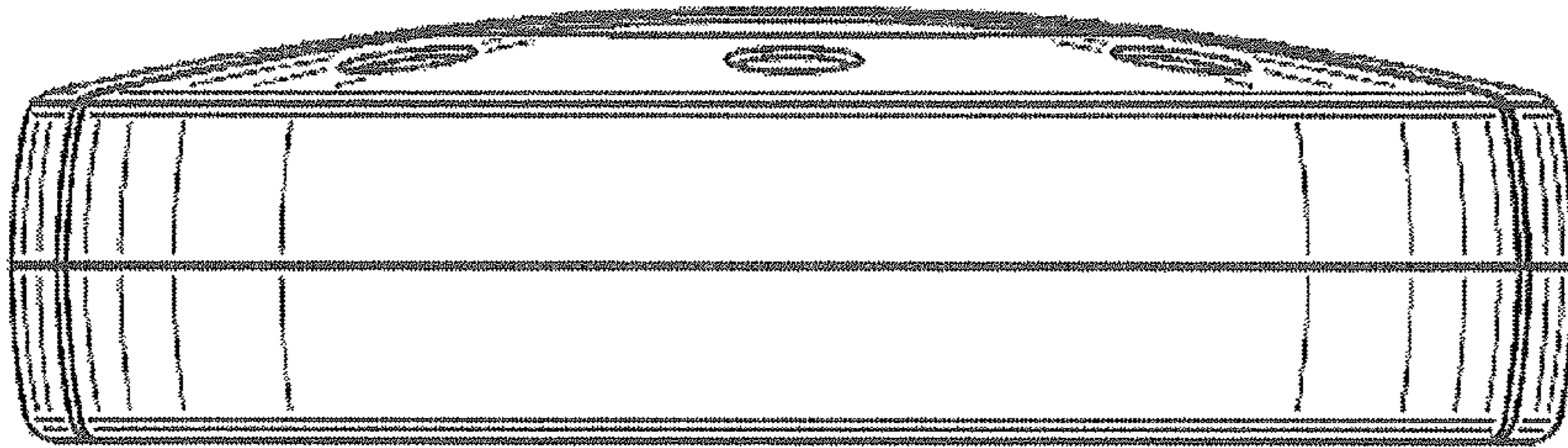


FIG. 4

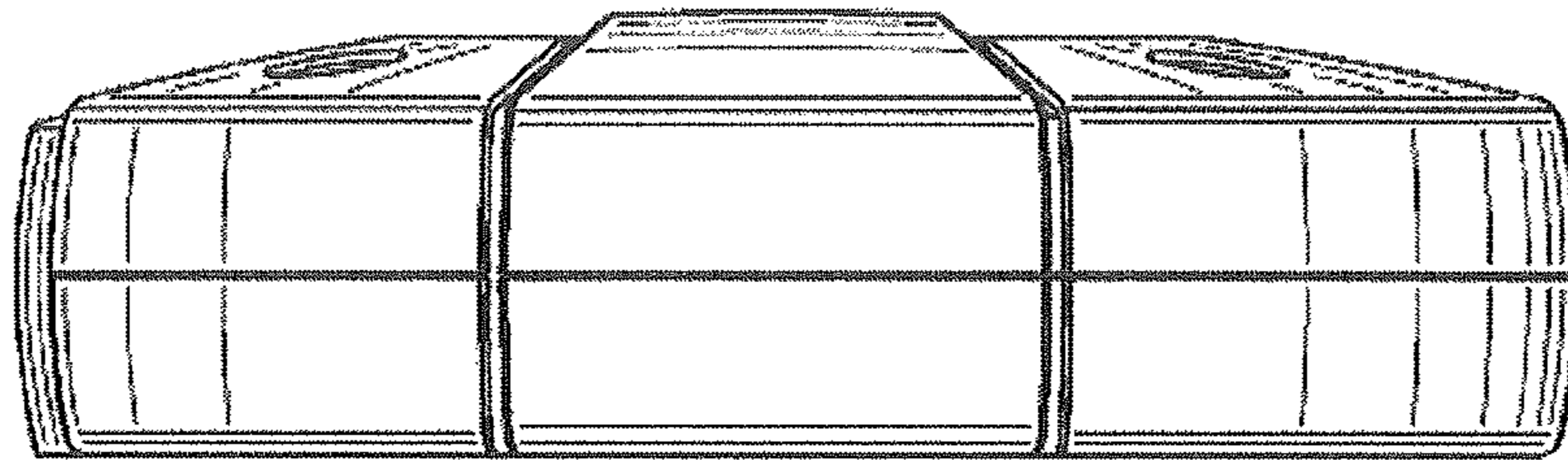


FIG. 5

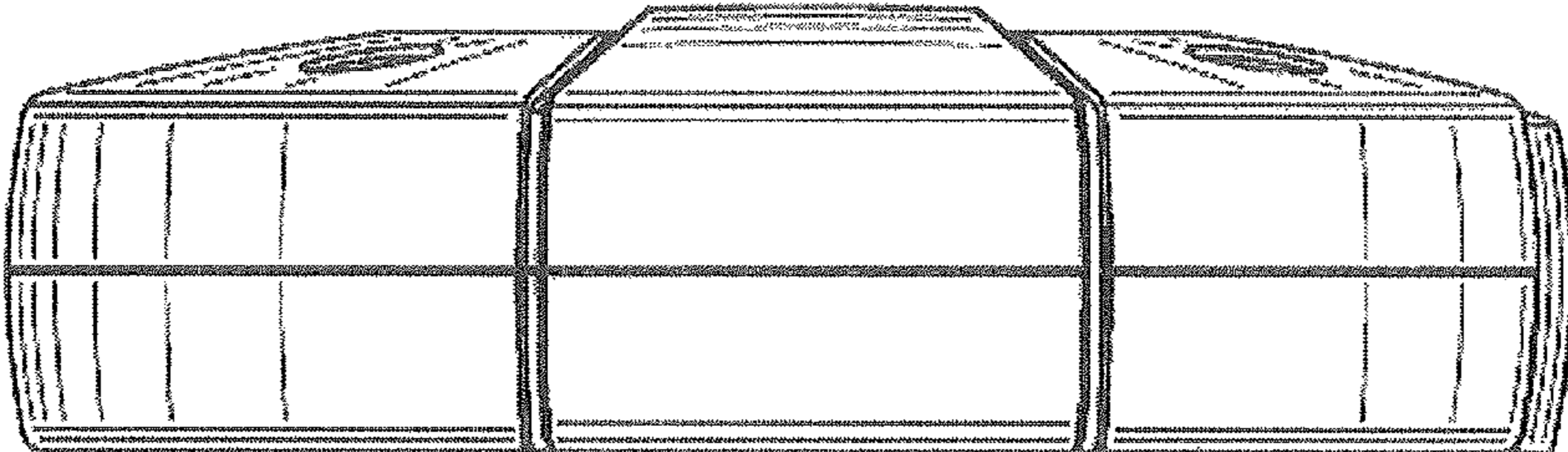


FIG. 6

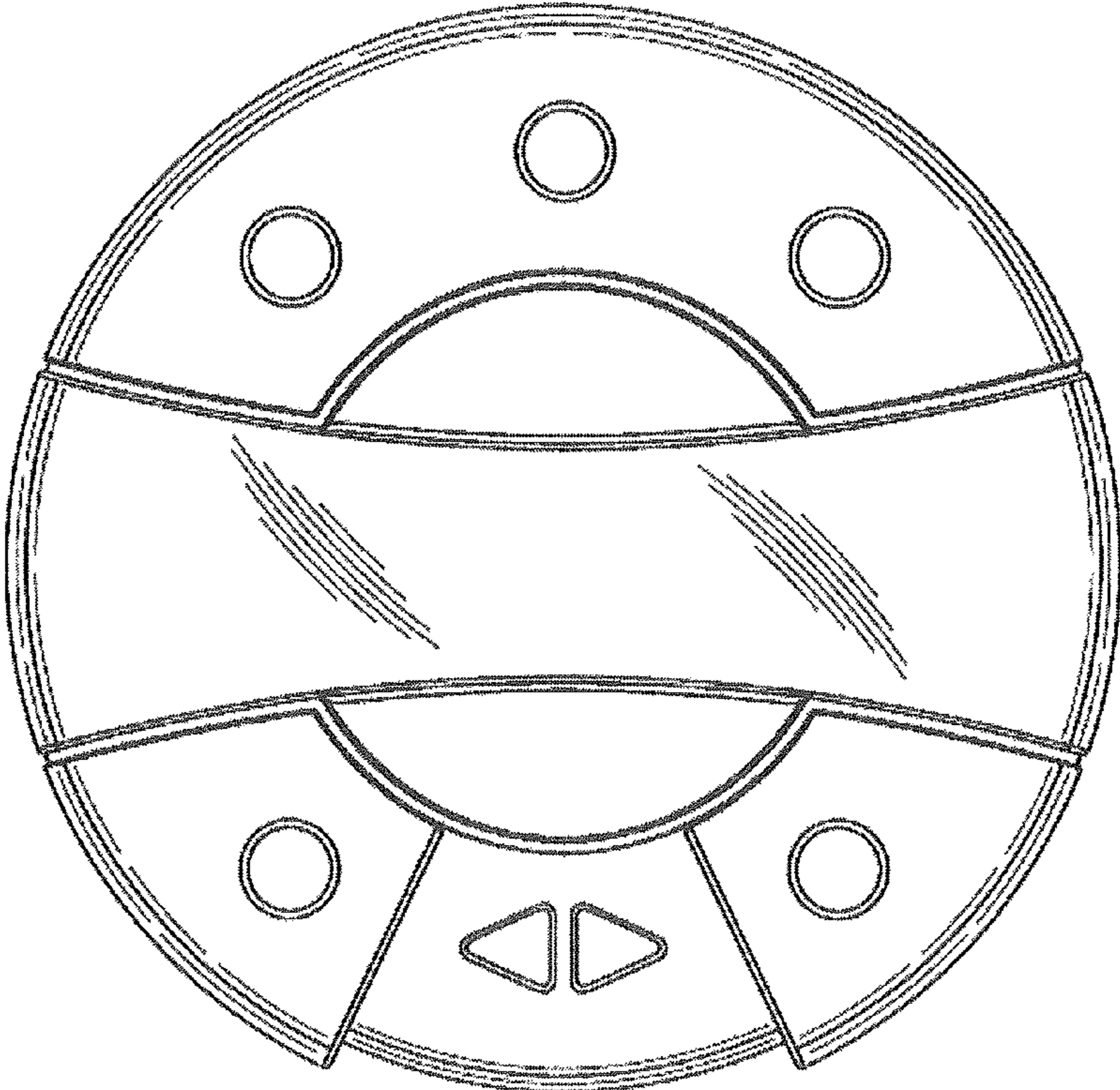


FIG. 7

