



US00D671595S

(12) **United States Design Patent**
O'Hara

(10) **Patent No.:** **US D671,595 S**

(45) **Date of Patent:** **** Nov. 27, 2012**

(54) **ELECTRONIC PRESENTATION UNIT**

(75) Inventor: **Timothy O'Hara**, San Antonio, TX
(US)

(73) Assignee: **Gore Design Completions, Ltd.**, San
Antonio, TX (US)

(**) Term: **14 Years**

(21) Appl. No.: **29/400,713**

(22) Filed: **Aug. 31, 2011**

(51) **LOC (9) Cl.** **19-06**

(52) **U.S. Cl.** **D19/52; D14/307; D14/371**

(58) **Field of Classification Search** D14/126-129,
D14/239, 300, 302, 307, 371-375, 447, 451;
D19/52; 40/607.01; 160/135; 248/129,
248/917-924; 280/79.3, 648; 361/679.02,
361/679.05, 679.22; 434/419; 345/173,
345/179

See application file for complete search history.

D589,089	S *	3/2009	Loerakker et al.	D19/52
7,584,563	B2	9/2009	Hillstrom et al.	
D602,932	S *	10/2009	Sasaki et al.	D14/307
7,643,051	B2	1/2010	Sandberg et al.	
7,818,840	B2	10/2010	Barnett et al.	
D628,742	S *	12/2010	Hsu	D28/9
7,898,796	B2	3/2011	Horie	
2003/0142468	A1 *	7/2003	Chin et al.	361/683
2004/0186357	A1	9/2004	Soderberg et al.	
2005/0001824	A1 *	1/2005	Yoshimura	345/179
2005/0199768	A1	9/2005	Tam et al.	
2006/0097989	A1 *	5/2006	Ho	345/173
2006/0290081	A1	12/2006	Baum	
2008/0041683	A1	2/2008	Dorquez	
2009/0284963	A1	11/2009	Intravatora	
2010/0236454	A1	9/2010	Parizek et al.	

FOREIGN PATENT DOCUMENTS

DE	19942749	3/2000
DE	102006023899	11/2007
EP	0830021	3/1998
GB	608341	9/1948
JP	9162562	6/1997
WO	WO2004037051	5/2004
WO	WO2009040848	4/2009

* cited by examiner

(56) **References Cited**

U.S. PATENT DOCUMENTS

2,884,257	A	4/1959	Menne	
3,024,738	A	3/1962	O'Toole et al.	
4,166,687	A	9/1979	Viering	
4,412,689	A	11/1983	Lee	
5,220,740	A	6/1993	Brault	
5,283,595	A	2/1994	Krukovsky	
5,399,009	A	3/1995	Hiner	
5,434,631	A	7/1995	Lieberman et al.	
5,501,603	A	3/1996	Mueller et al.	
5,718,494	A	2/1998	Luddemann	
5,730,452	A *	3/1998	Fields	280/47.35
6,031,714	A *	2/2000	Ma	361/679.22
6,430,038	B1 *	8/2002	Helot et al.	361/679.05
6,447,002	B1	9/2002	Fang	
6,698,705	B2	3/2004	Toghanian	
6,772,816	B2	8/2004	Carter et al.	
6,857,607	B1	2/2005	Burris	
6,980,419	B2	12/2005	Smith et al.	
7,080,814	B1	7/2006	Brooks	
7,261,261	B2 *	8/2007	Ligertwood	248/129

Primary Examiner — Freda S Nunn

(74) *Attorney, Agent, or Firm* — Cox Smith Matthews
Incorporated

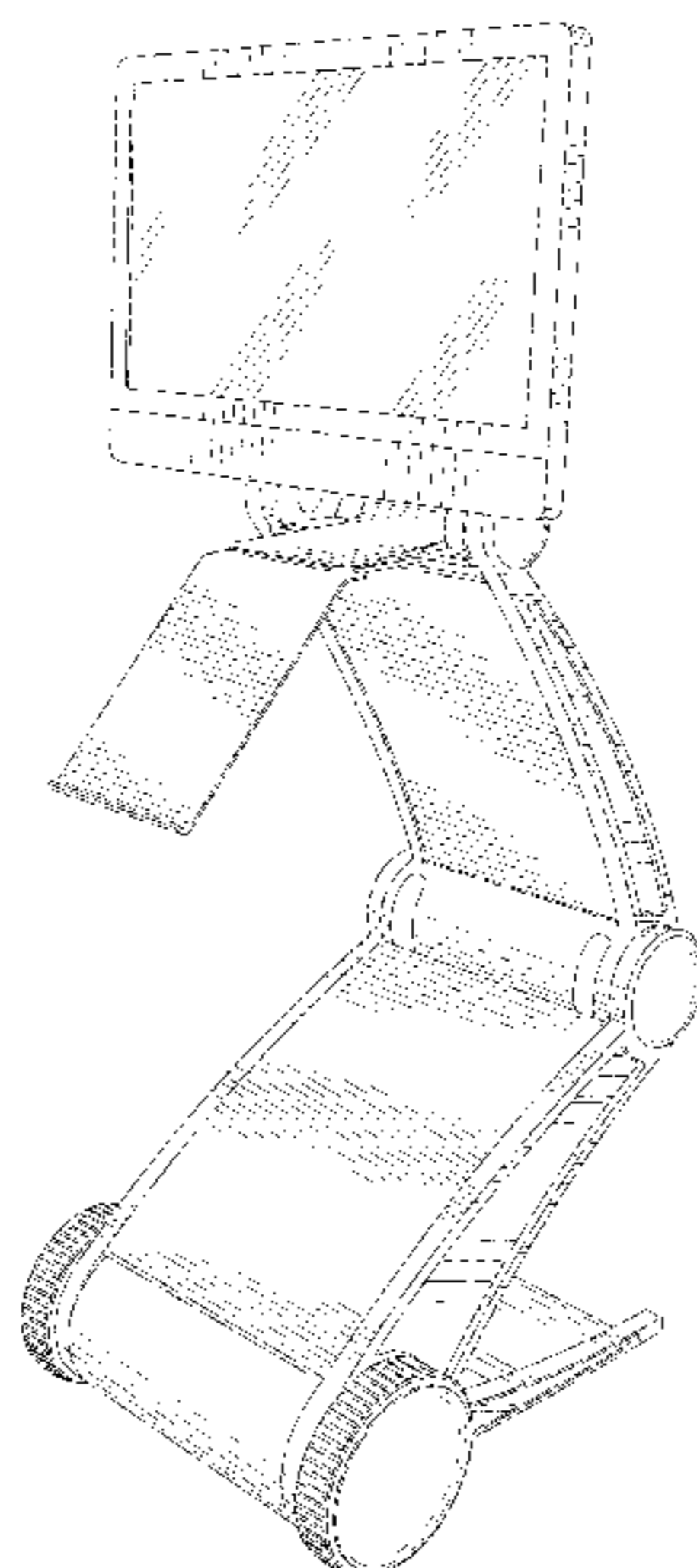
(57) **CLAIM**

The ornamental design for an electronic presentation unit, as
shown and described.

DESCRIPTION

FIG. 1 is a perspective view of the electronic presentation unit
of the design;
FIG. 2 is a front view thereof;
FIG. 3 is a back view thereof;
FIG. 4 is a right side view thereof;
FIG. 5 is a left side view thereof;
FIG. 6 is a top view thereof; and,
FIG. 7 is a bottom view thereof.

1 Claim, 6 Drawing Sheets



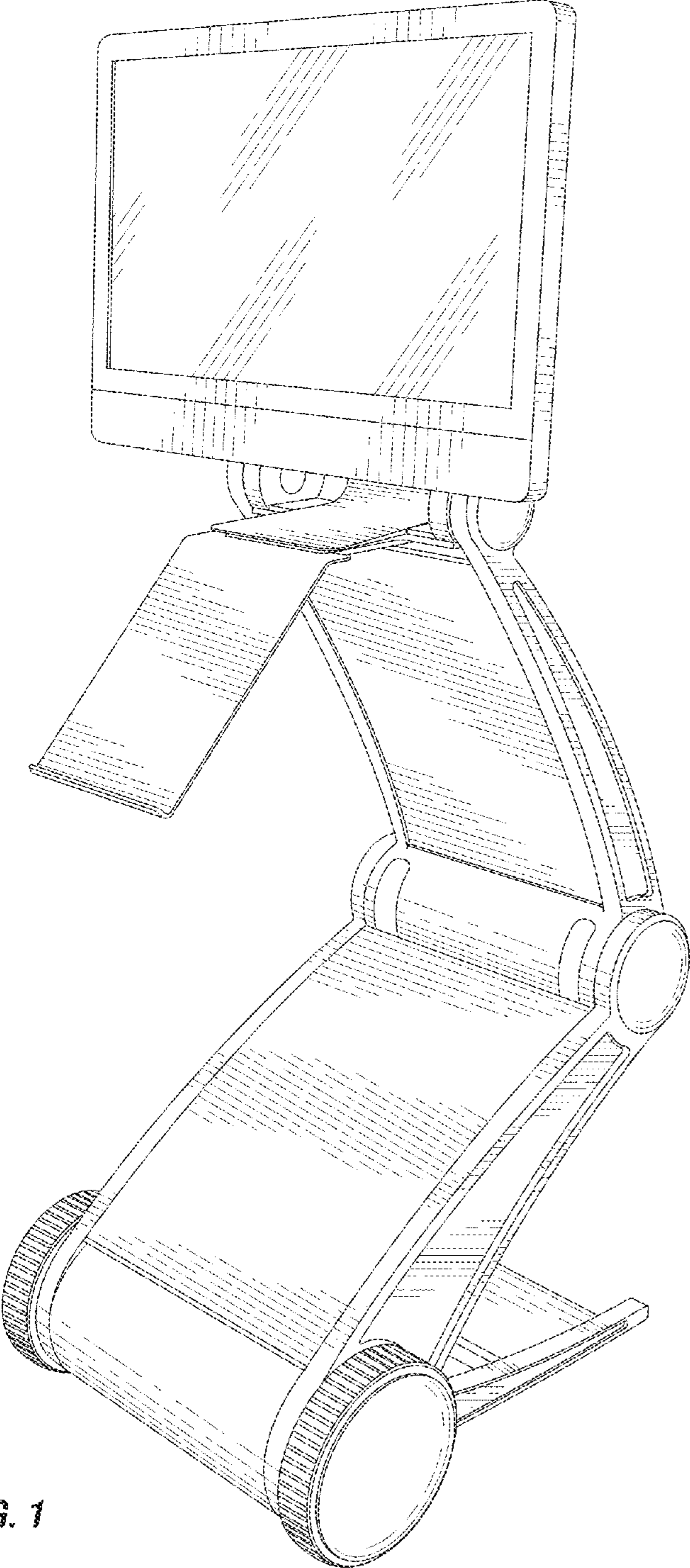


FIG. 1

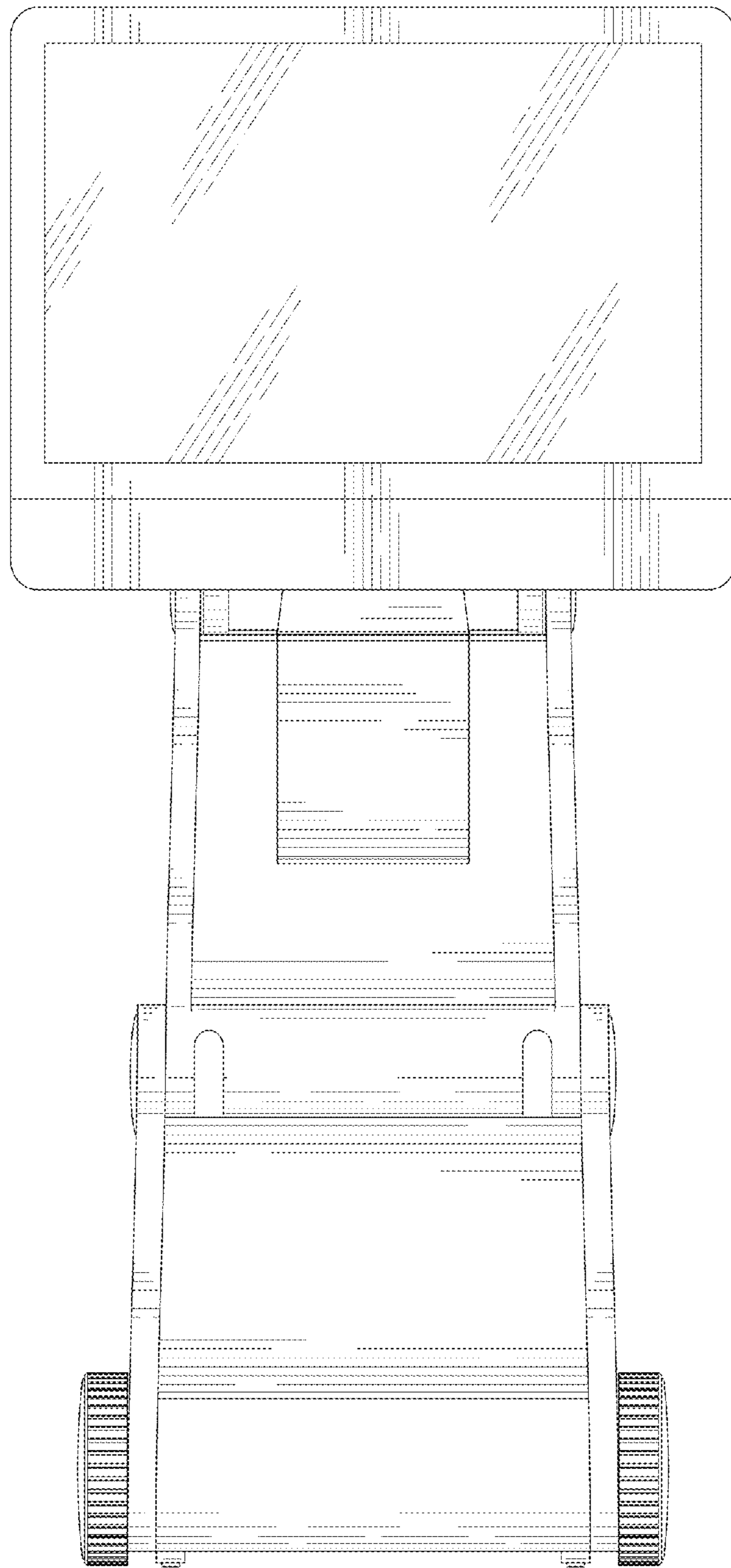


FIG. 2

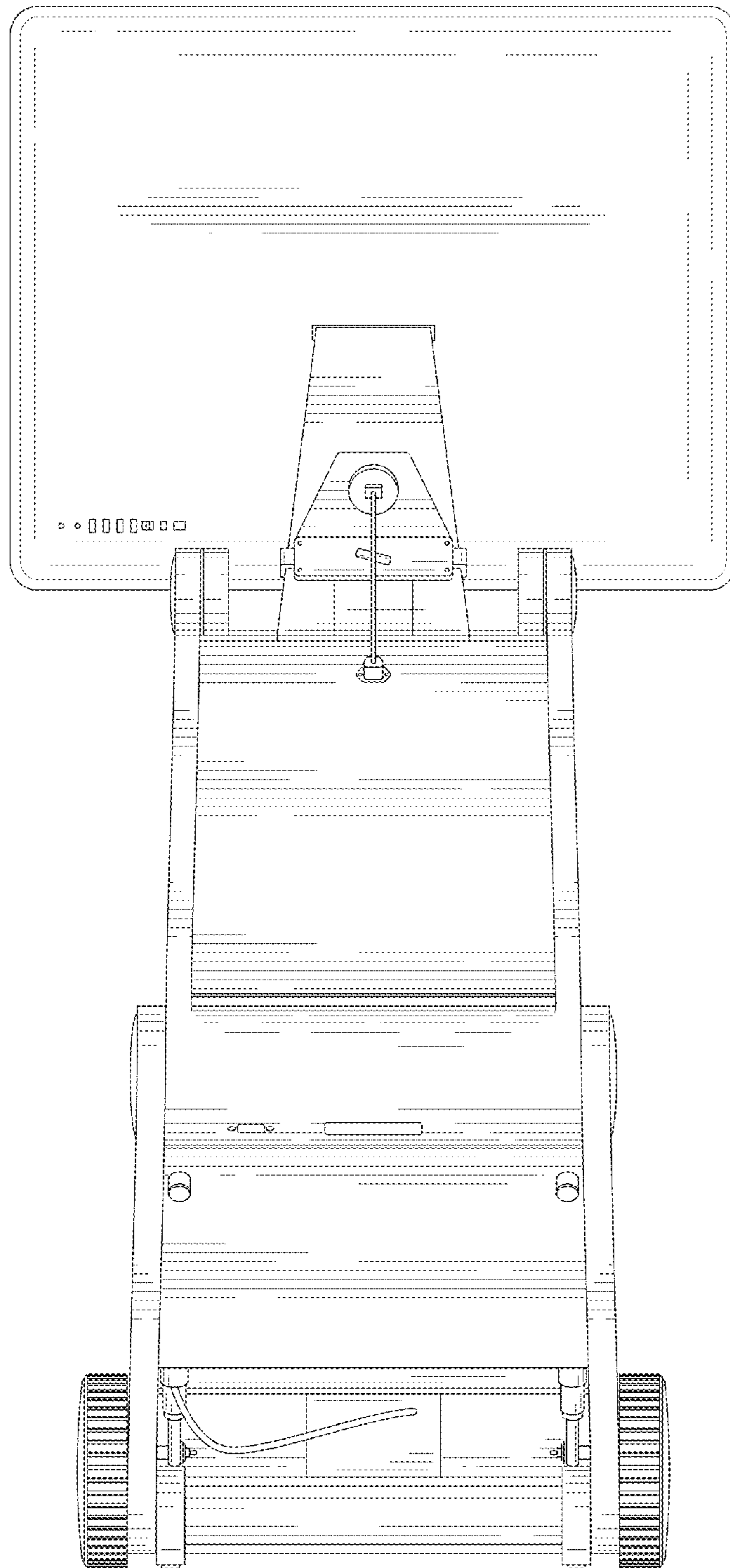


FIG. 3

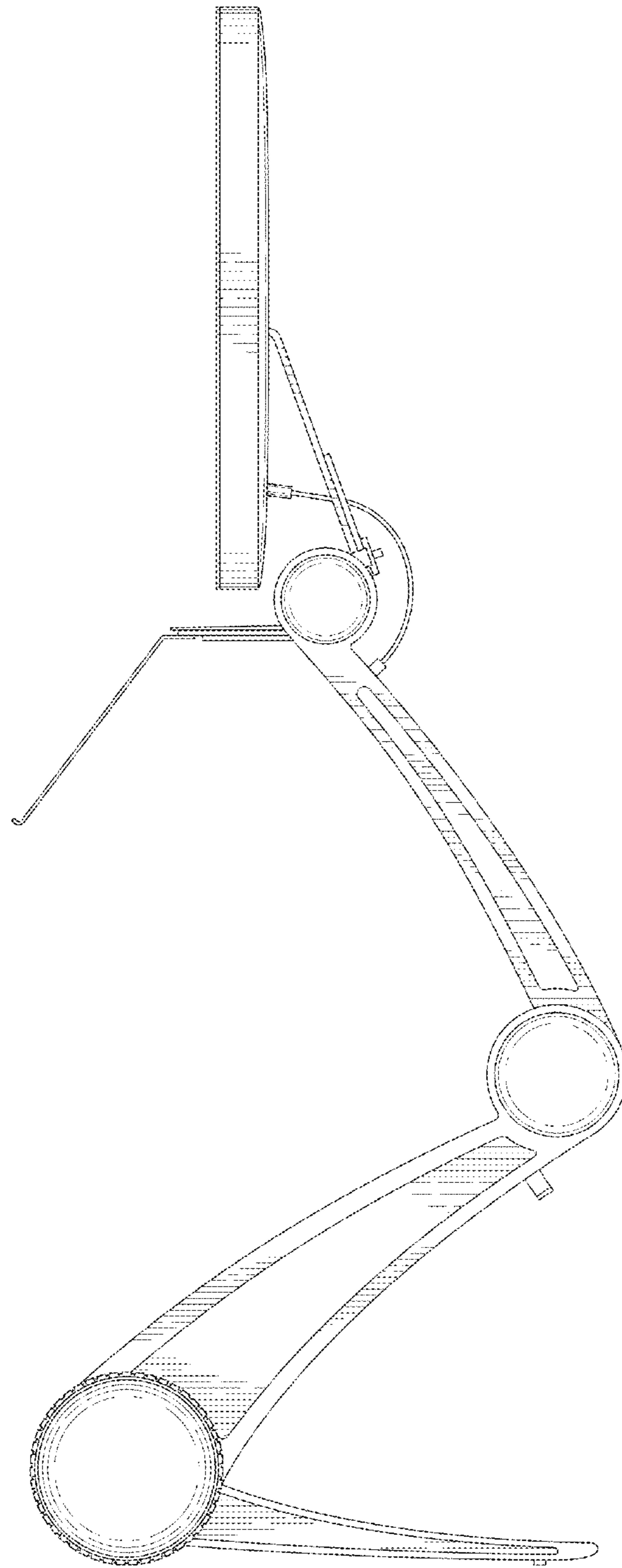


FIG. 4

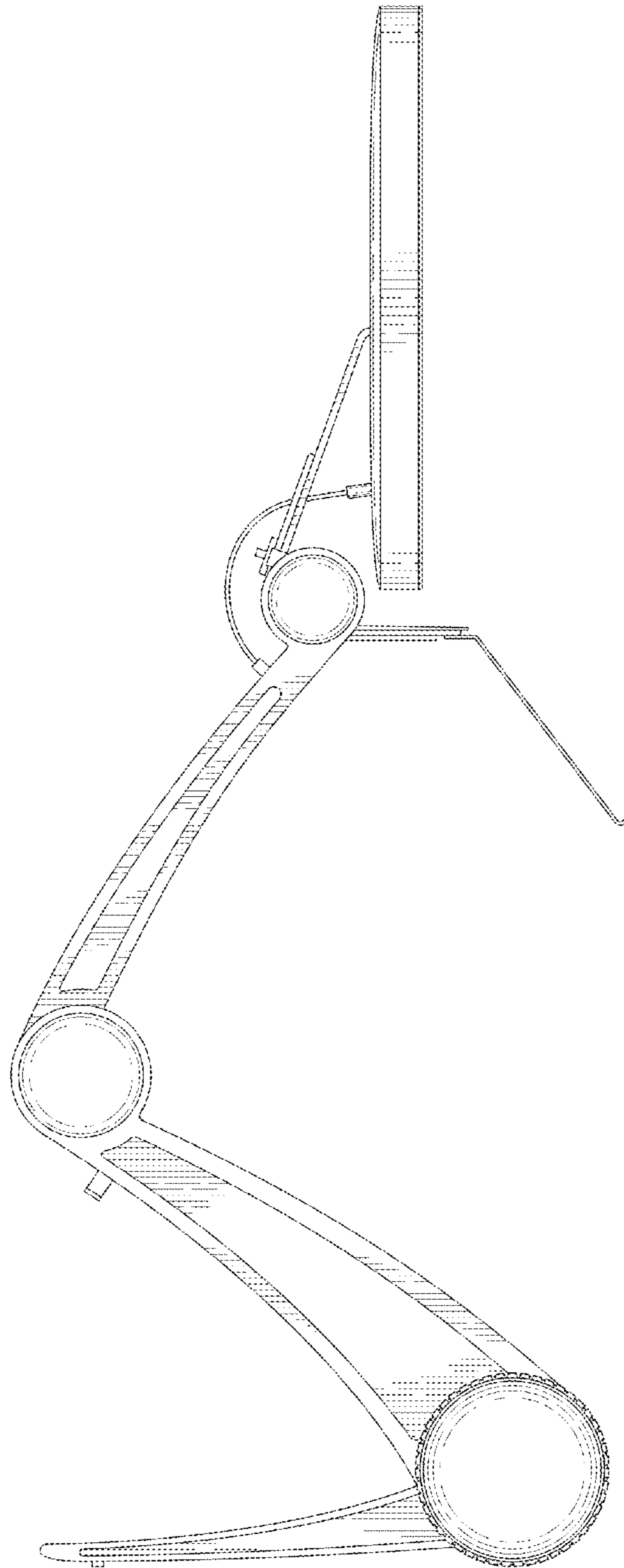


FIG. 5

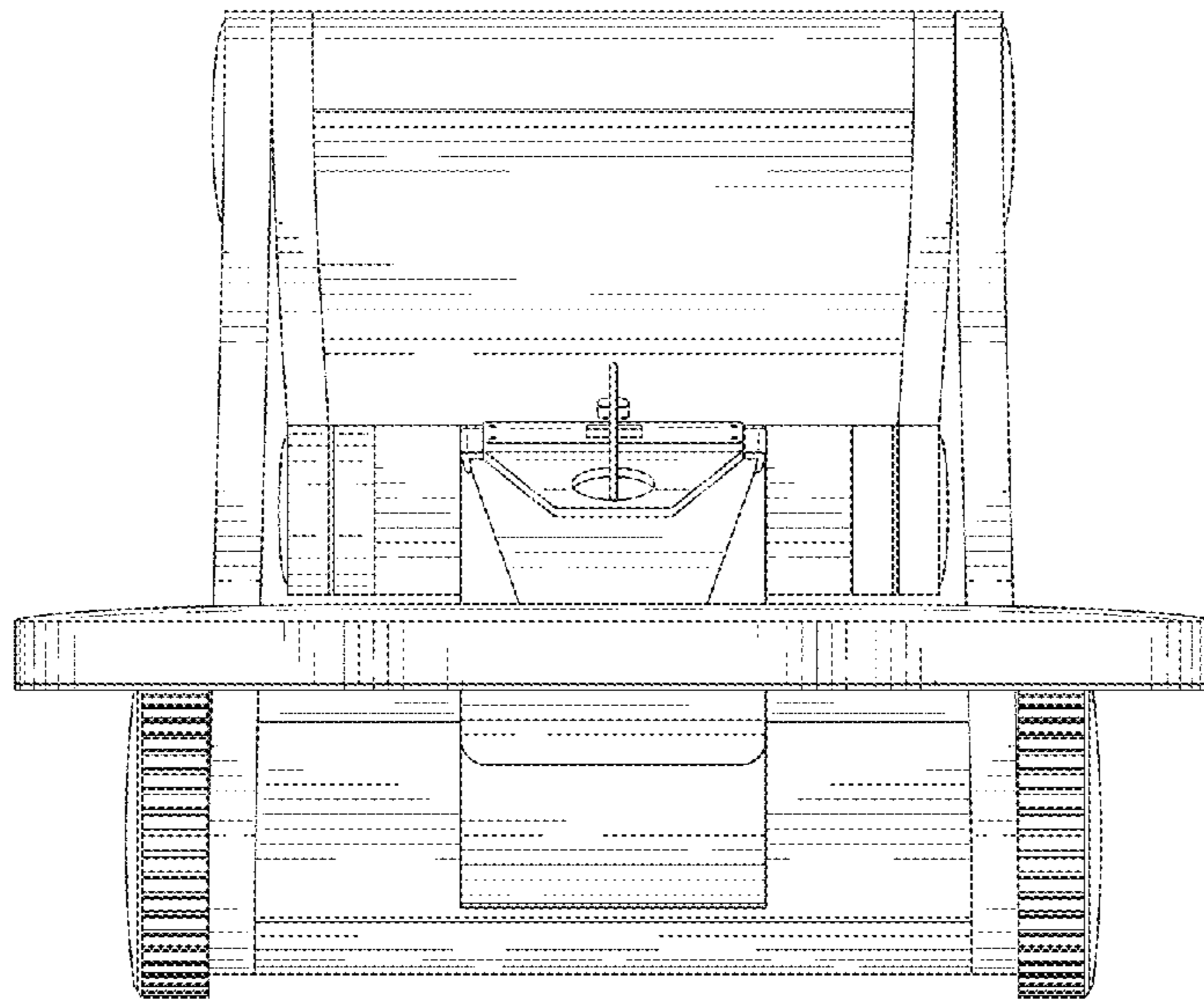


FIG. 6

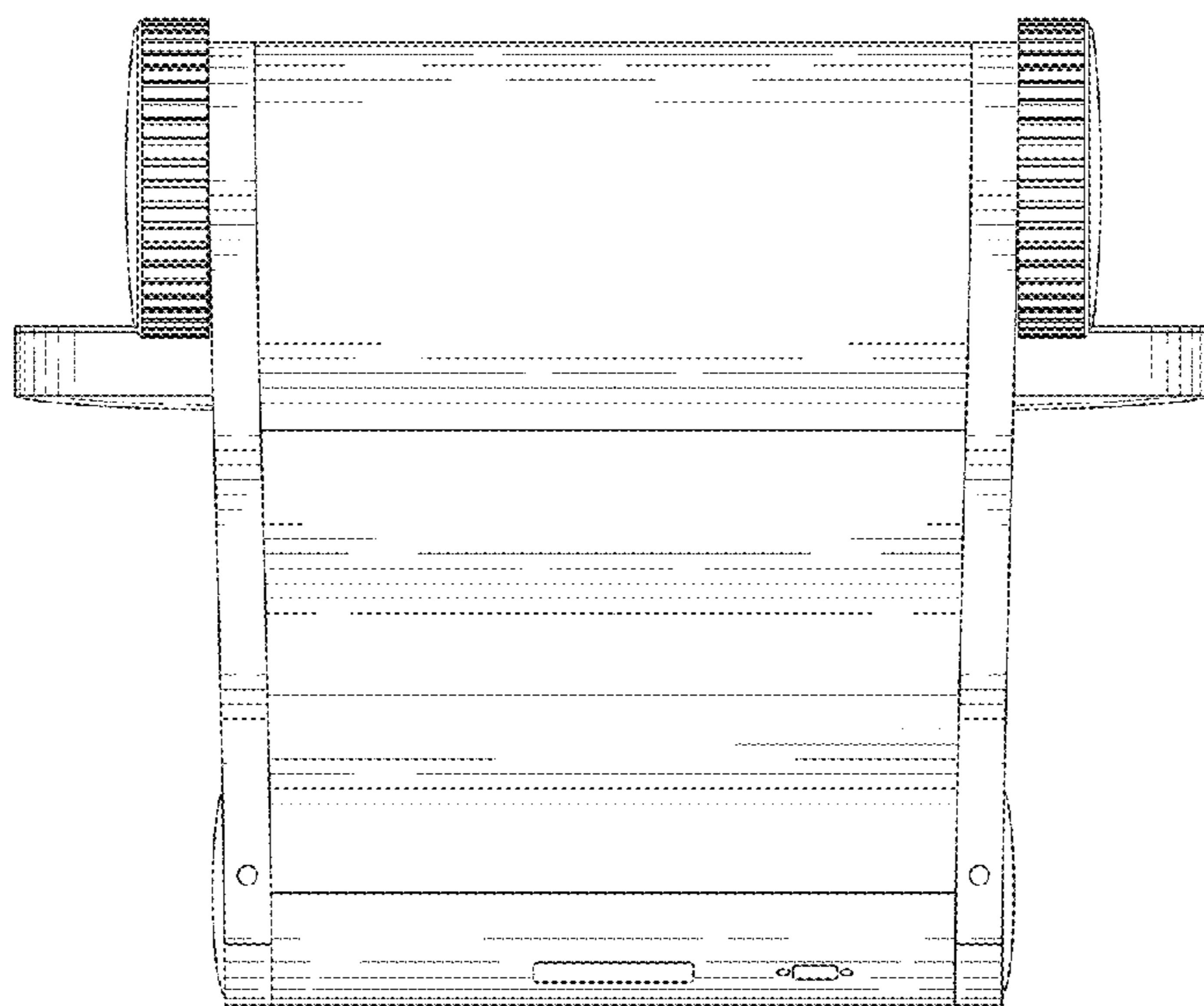


FIG. 7