



US00D671593S

(12) **United States Design Patent**
Kinoshita et al.

(10) **Patent No.:** **US D671,593 S**

(45) **Date of Patent:** **** Nov. 27, 2012**

(54) **PRINTER**

(75) Inventors: **Osamu Kinoshita**, Shiojiri (JP); **Seiji Kimura**, Shiojiri (JP); **Kanako Nakatani**, Matsumoto (JP)

(73) Assignee: **Seiko Epson Corporation**, Tokyo (JP)

(**) Term: **14 Years**

(21) Appl. No.: **29/388,111**

(22) Filed: **Mar. 24, 2011**

(51) **LOC (9) Cl.** **14-02**

(52) **U.S. Cl.** **D18/55**

(58) **Field of Classification Search** D18/36-37,
D18/50, 54, 54.1, 55; D14/420-425, 462-470;
400/613, 613.1-613.4, 690.1-691.4, 691-694
See application file for complete search history.

(56) **References Cited**

U.S. PATENT DOCUMENTS

D348,899 S *	7/1994	Masujima et al.	D18/55
D369,181 S *	4/1996	Kobayashi	D18/55
D436,123 S *	1/2001	Ito et al.	D18/54
D643,875 S *	8/2011	Suzuki et al.	D18/55

* cited by examiner

Primary Examiner — Cathy A MacCormac

(74) *Attorney, Agent, or Firm* — Workman Nydegger

(57) **CLAIM**

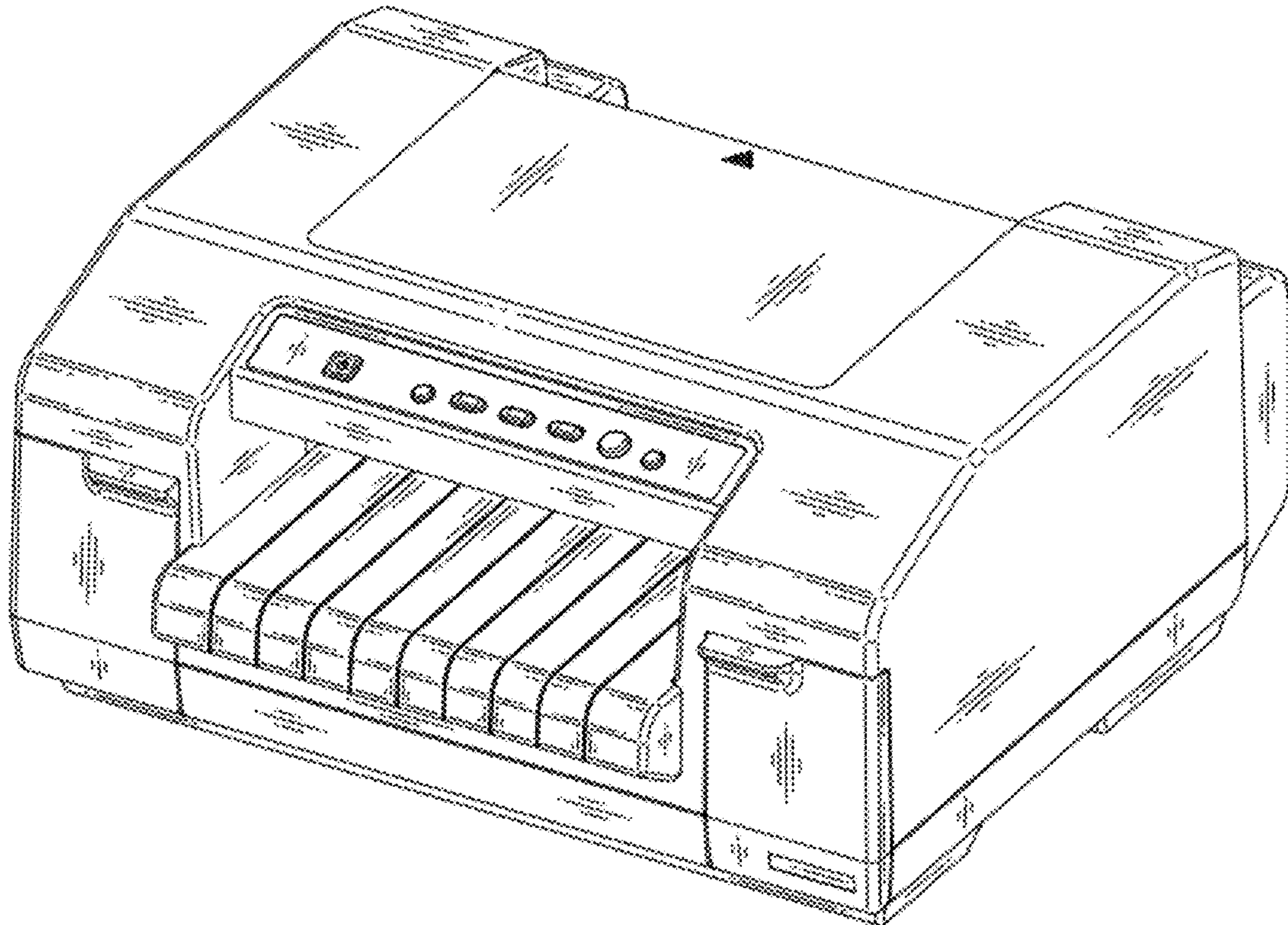
The ornamental design for a printer, as shown and described.

DESCRIPTION

FIG. 1 is a perspective view of a printer, as viewed from the front, top, and right side, embodying our design;
FIG. 2 is a perspective view thereof, as viewed from the rear, top, and left side;
FIG. 3 is a front view thereof;
FIG. 4 is a rear view thereof;
FIG. 5 is a left side view thereof;
FIG. 6 is a right side view thereof;
FIG. 7 is a top view thereof; and,
FIG. 8 is a bottom view thereof.

The broken lines represent unclaimed subject matter, or unclaimed depth (in the case of dotted lines within solid outlines), and form no part of the claimed design.

1 Claim, 6 Drawing Sheets



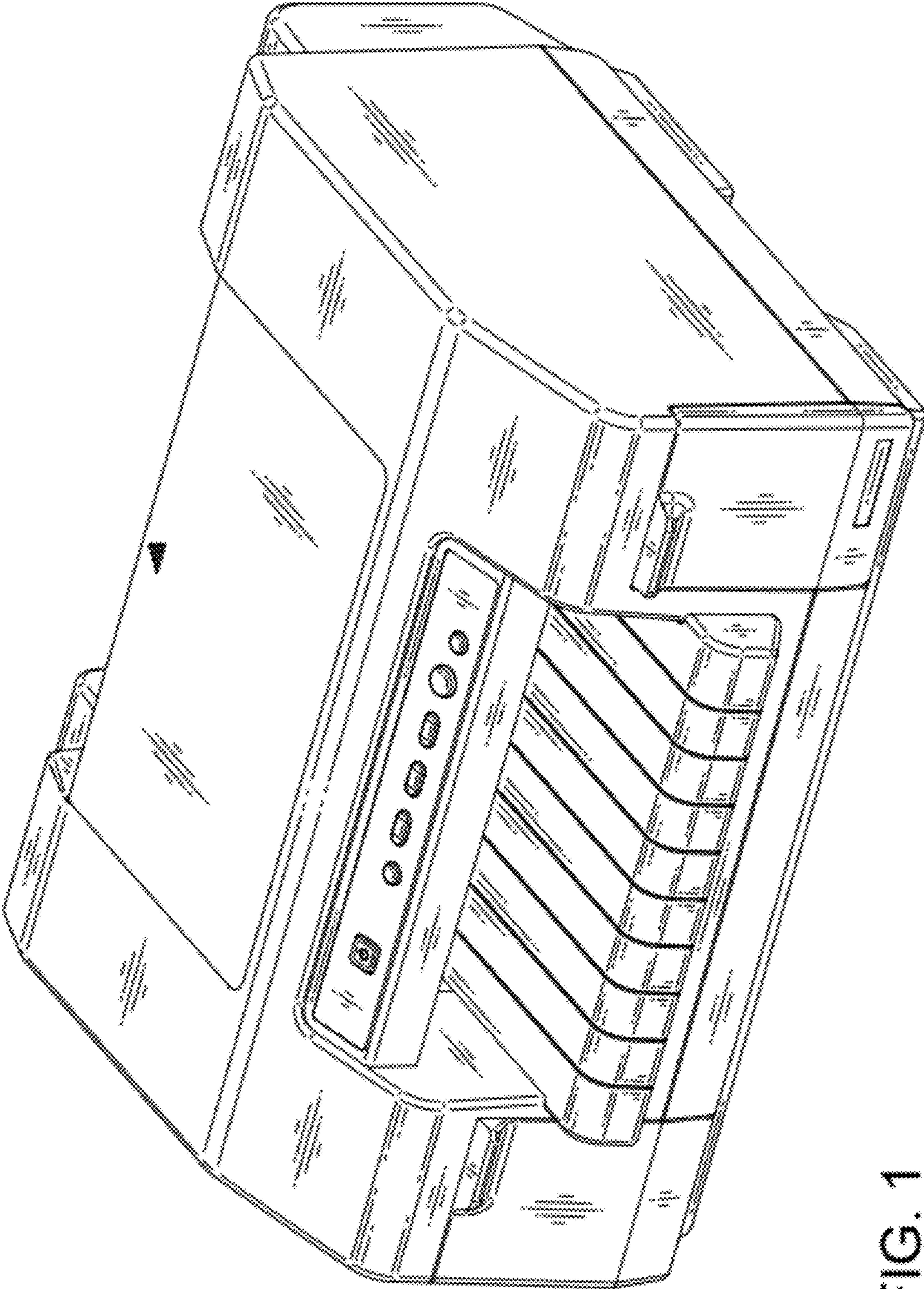


FIG. 1

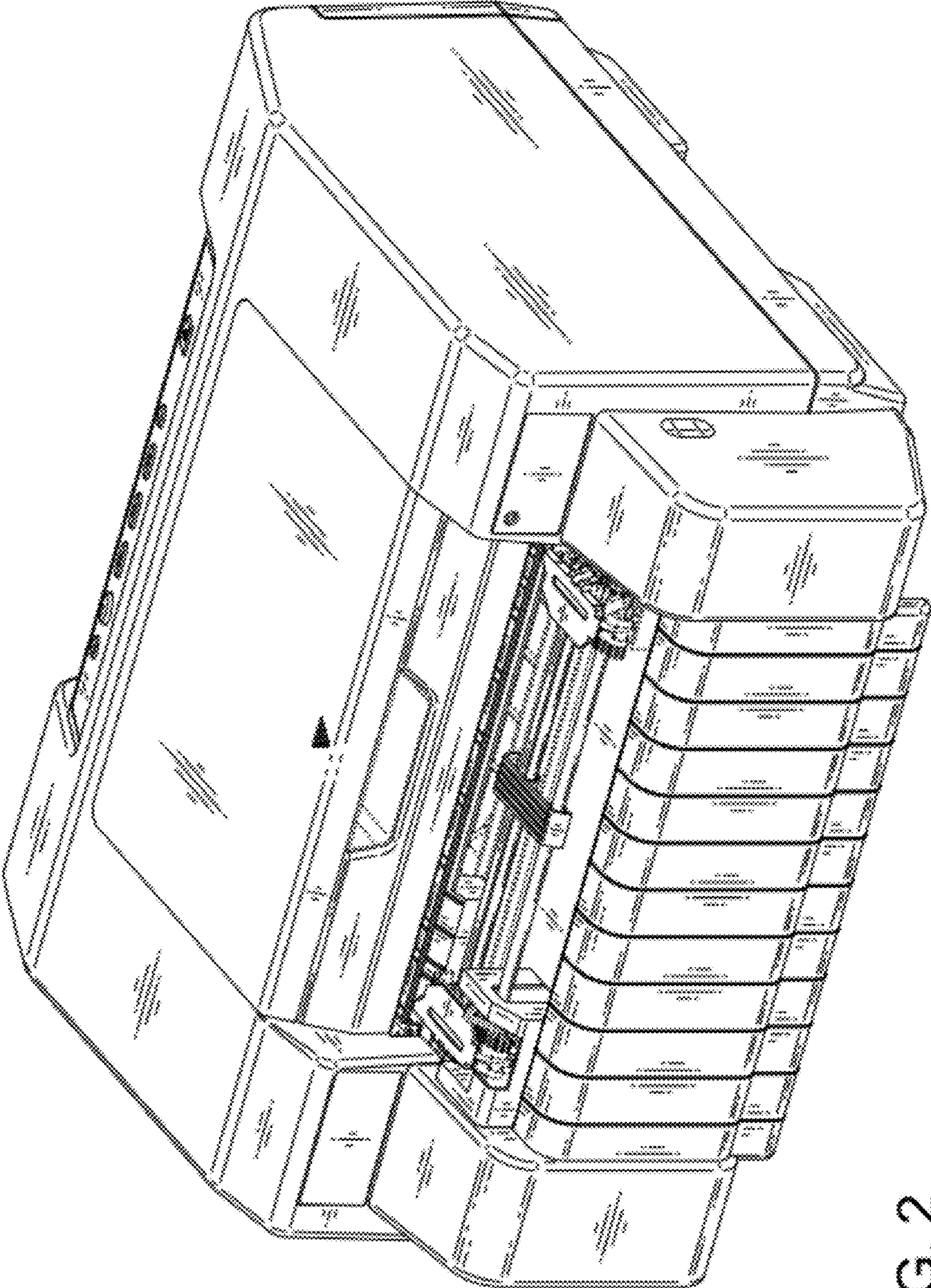


FIG. 2

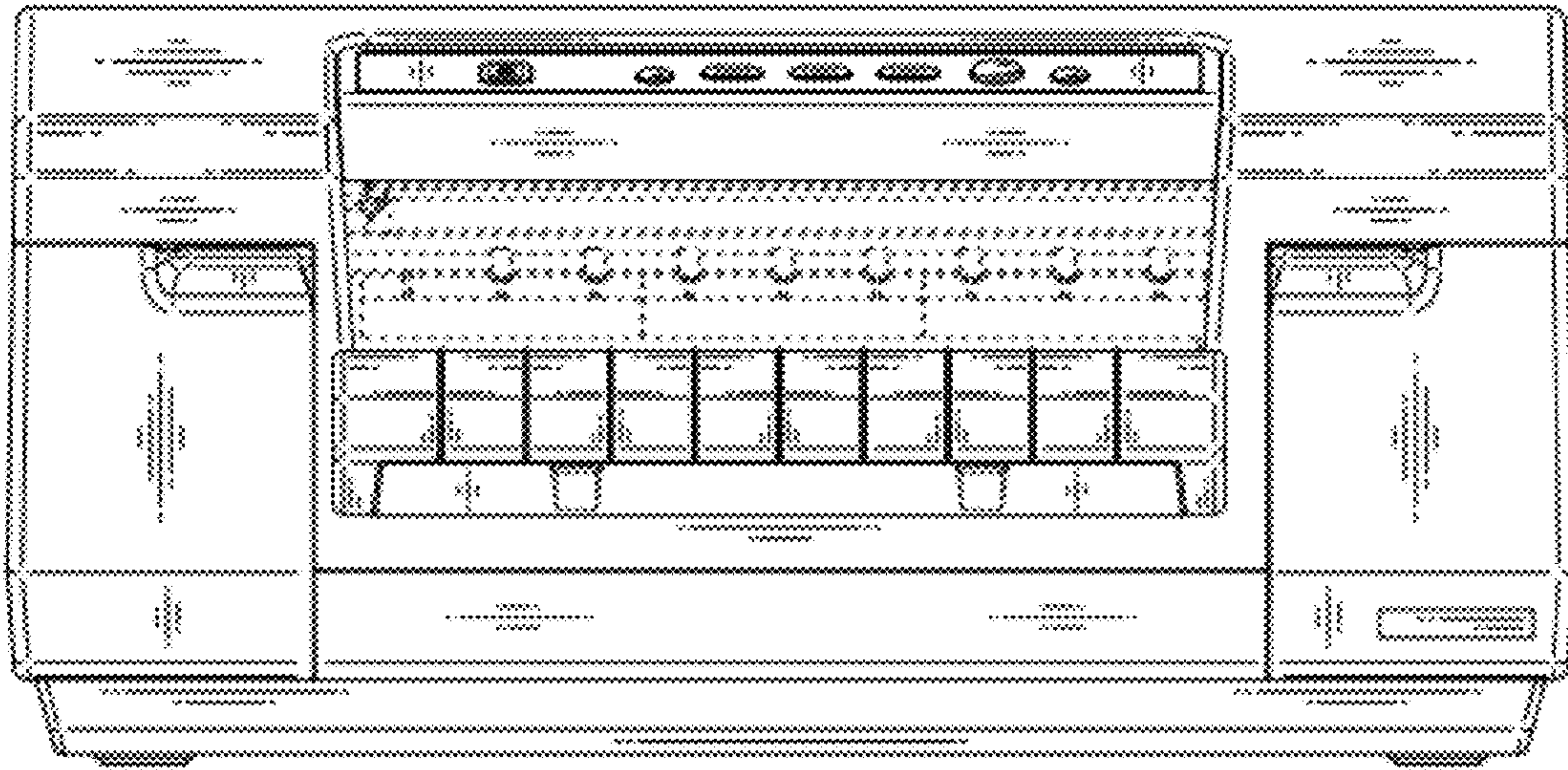


FIG. 3

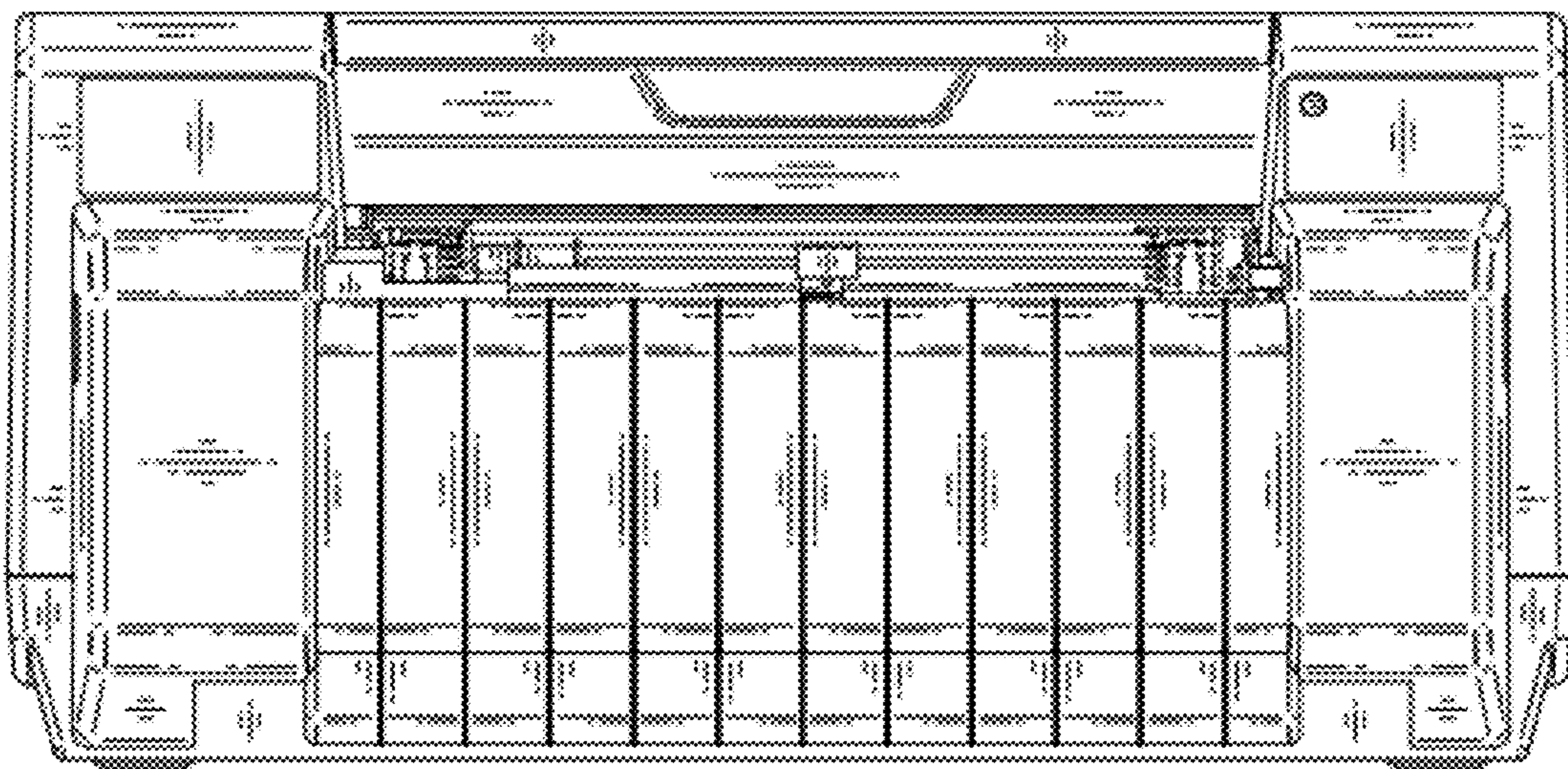


FIG. 4

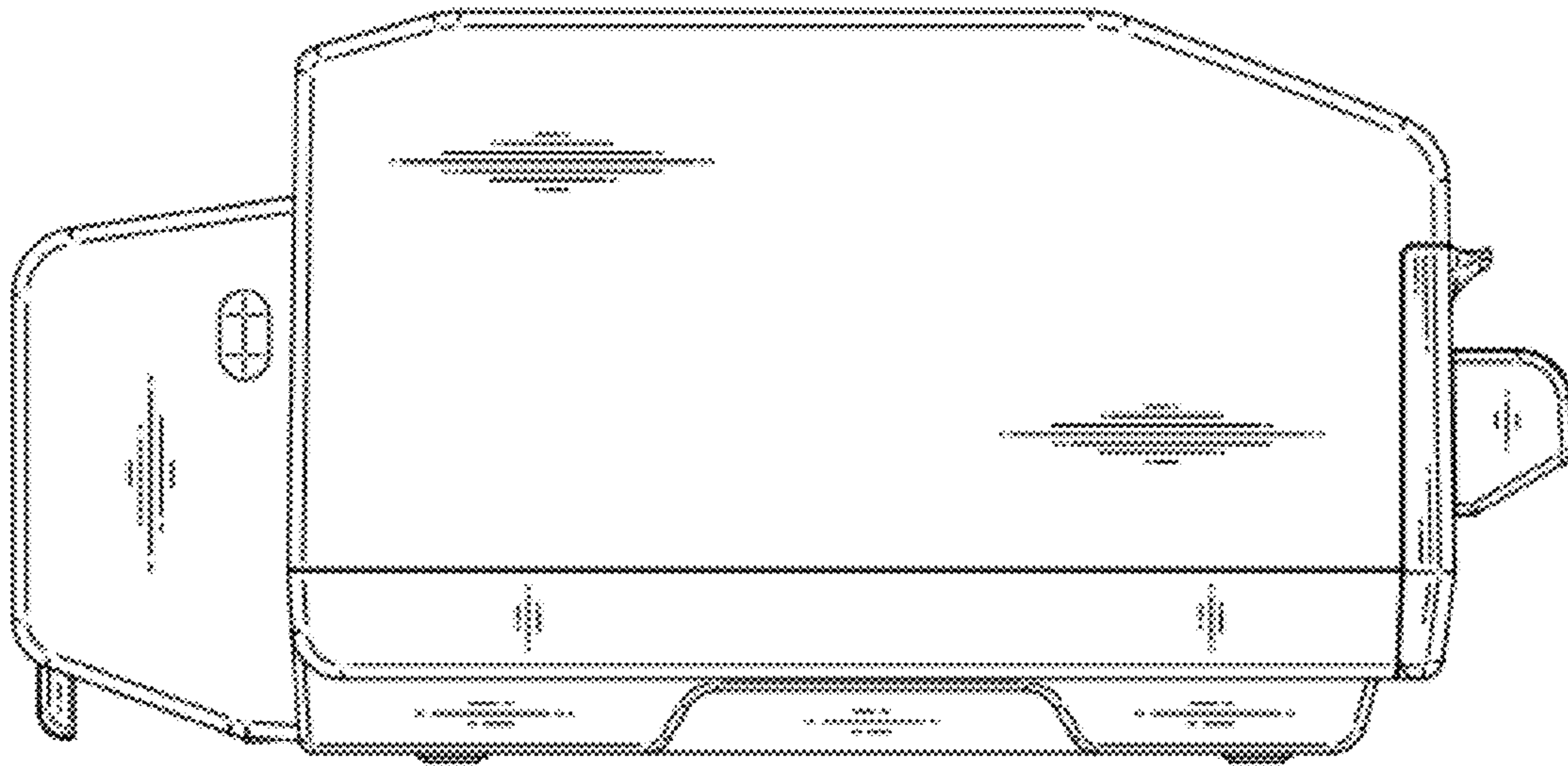


FIG. 5

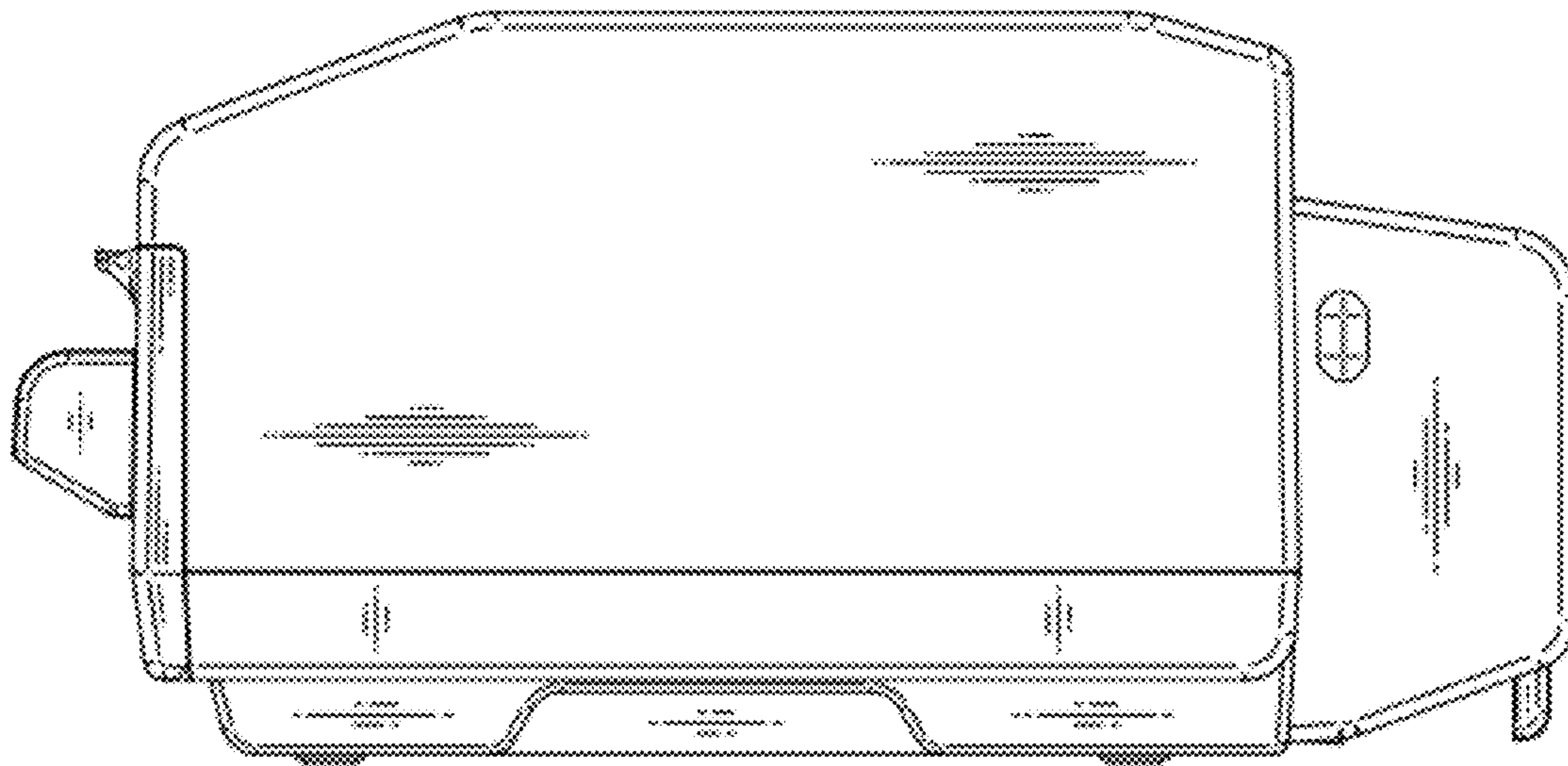


FIG. 6

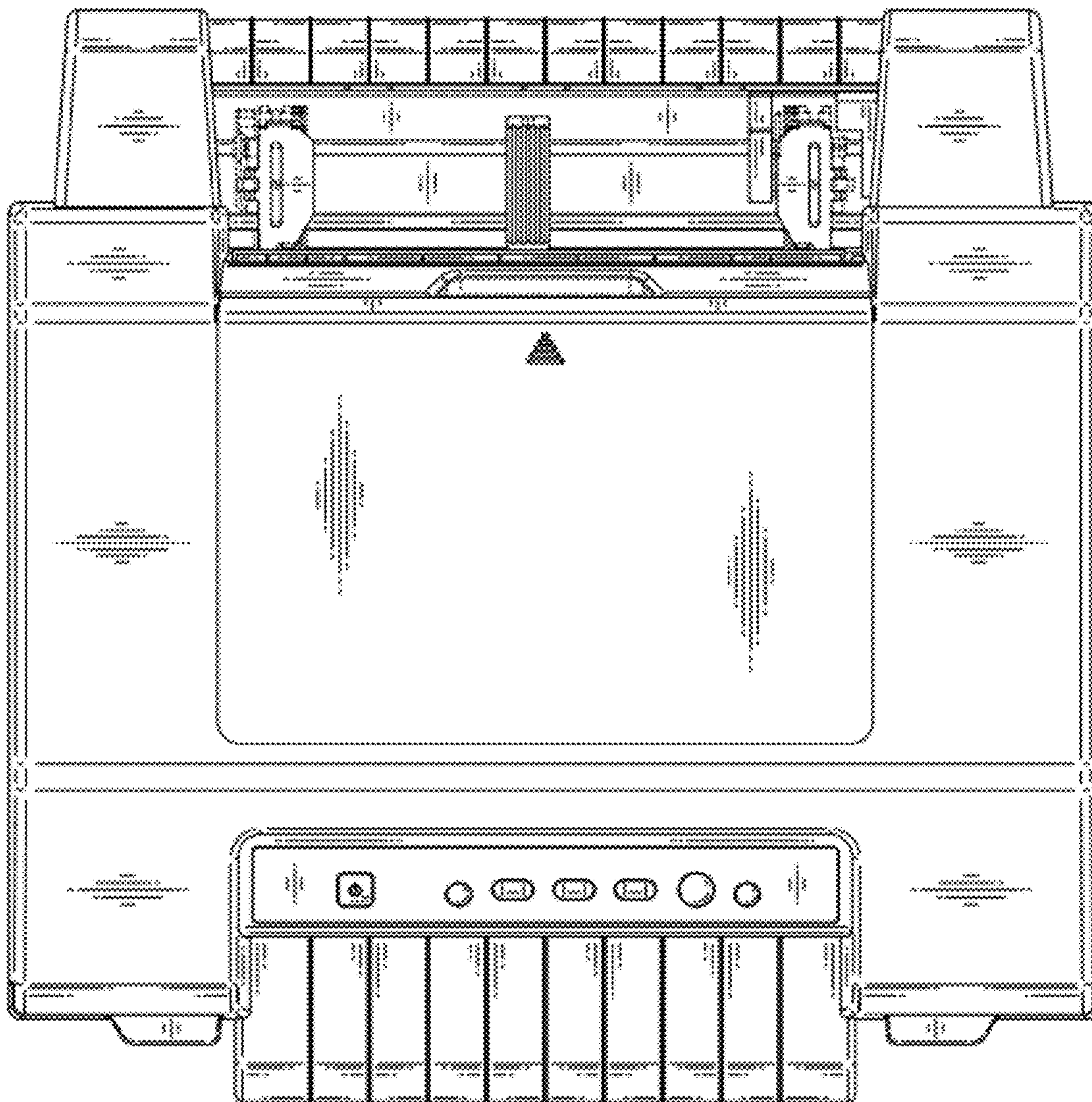


FIG. 7

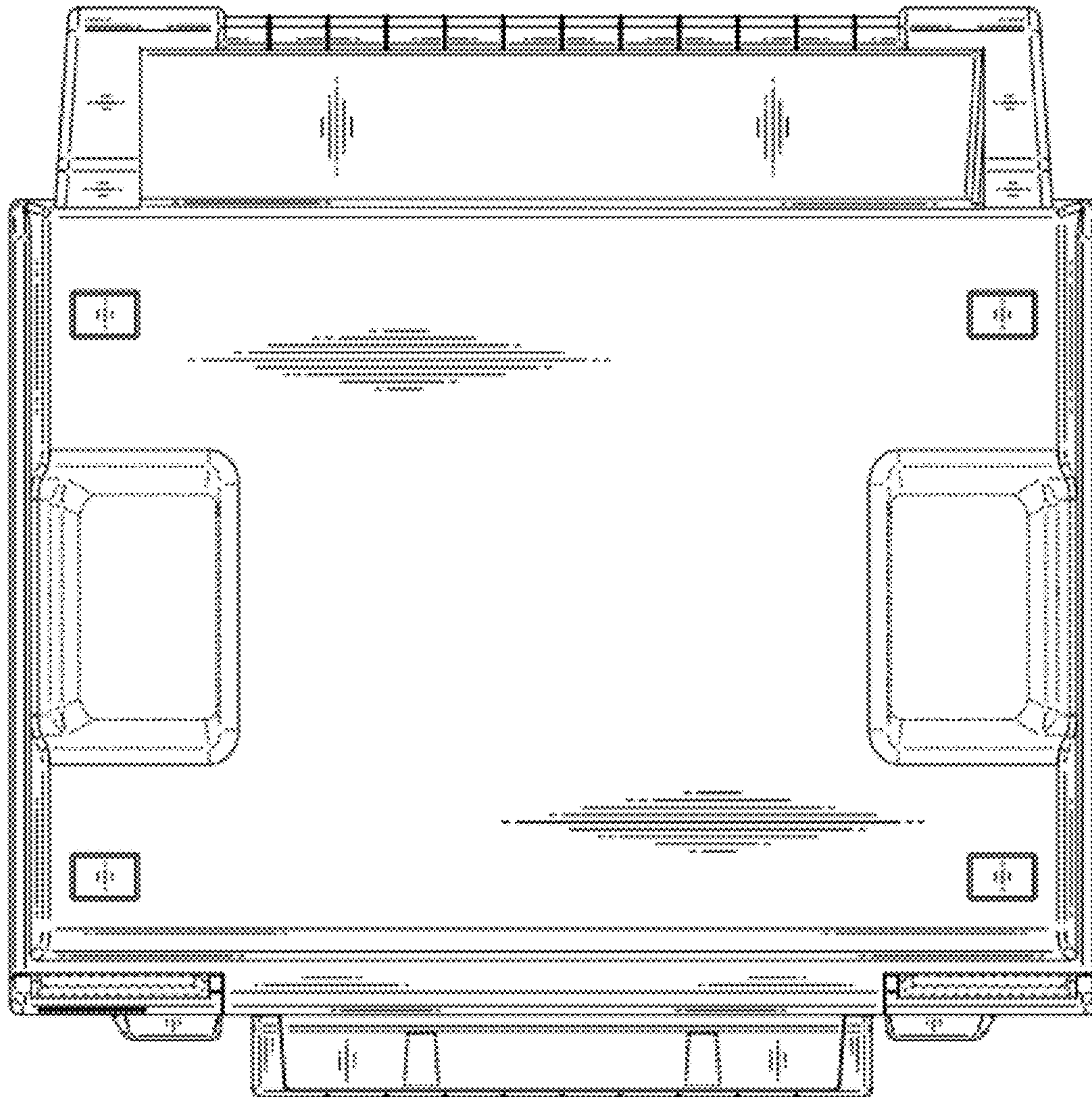


FIG. 8