



US00D671592S

(12) **United States Design Patent**
Rafalko, Jr.

(10) **Patent No.:** **US D671,592 S**
(45) **Date of Patent:** **** Nov. 27, 2012**

(54) **ELECTRIC UKULELE**

(76) Inventor: **Edmund A. Rafalko, Jr.**, Carrollton, TX
(US)

(**) Term: **14 Years**

(21) Appl. No.: **29/384,977**

(22) Filed: **Feb. 7, 2011**

(51) **LOC (9) Cl.** **17-03**

(52) **U.S. Cl.** **D17/19**

(58) **Field of Classification Search** D17/14,
D17/18, 19, 20; 84/267, 269, 290-293, 173
See application file for complete search history.

(56) **References Cited**

U.S. PATENT DOCUMENTS

2,468,374	A *	4/1949	Nelson	84/726
2,500,172	A *	3/1950	Gillenwater	84/723
2,903,935	A *	9/1959	Raze	84/318
2,964,985	A *	12/1960	Webster	84/723
3,081,662	A *	3/1963	Retter	84/298
3,153,970	A *	10/1964	Mulchi	84/485 R
3,375,747	A *	4/1968	Posey	84/453
3,525,284	A *	8/1970	Almeida	84/453
3,538,807	A *	11/1970	Francis	84/267
3,785,239	A *	1/1974	Smith	84/314 R
D242,074	S *	10/1976	Kasha	D17/19
5,092,213	A *	3/1992	Cipriani	84/299
5,488,892	A *	2/1996	Jepsen	84/322
6,284,957	B1 *	9/2001	Leguia	84/275
6,333,454	B1 *	12/2001	Griffiths	84/291
D513,277	S *	12/2005	Thornton	D17/14
D542,464	S *	5/2007	Chen	D27/148
D553,180	S *	10/2007	Cook	D17/14
D611,523	S *	3/2010	Chan	D17/19
8,008,558	B2 *	8/2011	Koentopp	84/291
D655,330	S *	3/2012	Tsai	D17/14

(Continued)

Primary Examiner — Rashida Johnson

(74) Attorney, Agent, or Firm — Simpson & Simpson, PLLC

(57) **CLAIM**

The ornamental design for an electric ukulele, as shown and described.

DESCRIPTION

FIG. 1 is a perspective view of a first embodiment of a present invention electric ukulele;

FIG. 2 is a right elevational view of the first embodiment of the electric ukulele;

FIG. 3 is a left elevational view of the first embodiment of the electric ukulele;

FIG. 4 is a top plan view of the first embodiment of the electric ukulele;

FIG. 5 is a bottom plan view of the first embodiment of the electric ukulele;

FIG. 6 is a back elevational view of the first embodiment of the electric ukulele;

FIG. 7 is a front elevational view of the first embodiment of the electric ukulele;

FIG. 8 is a perspective view of a second embodiment of a present invention electric ukulele;

FIG. 9 is a right elevational view of the second embodiment of the electric ukulele;

FIG. 10 is a left elevational view of the second embodiment of the electric ukulele;

FIG. 11 is a top plan view of the second embodiment of the electric ukulele;

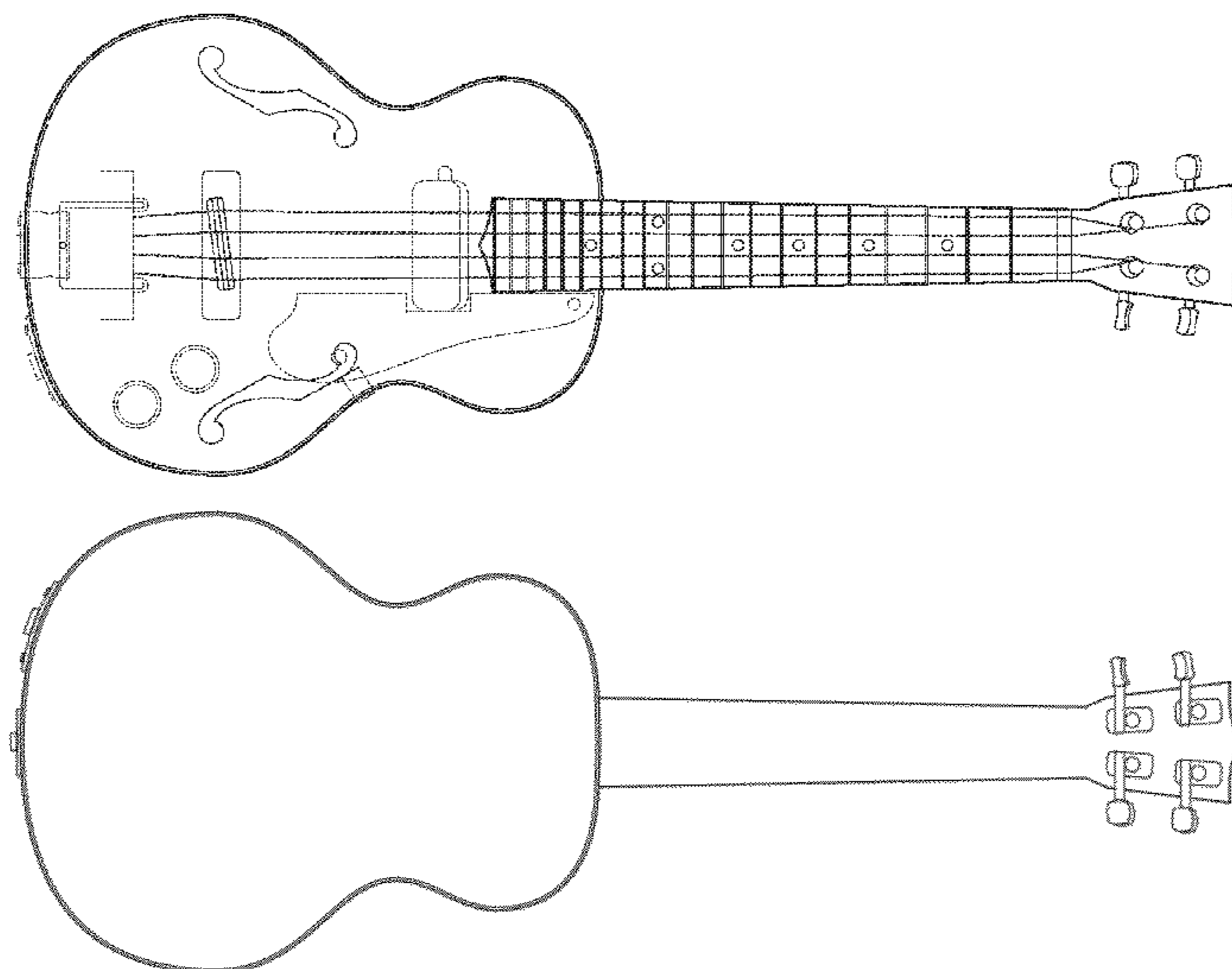
FIG. 12 is a bottom plan view of the second embodiment of the electric ukulele;

FIG. 13 is a back elevational view of the second embodiment of the electric ukulele; and,

FIG. 14 is a front elevational view of the second embodiment of the electric ukulele.

The broken line showing of various components of an electric ukulele in FIGS. 1-7 are for illustrative purposes only and form no part of the claimed invention. Similarly, the broken line showing of various components of an electric ukulele in FIGS. 8-14 are for illustrative purposes only and form no part of the claimed invention.

1 Claim, 12 Drawing Sheets



US D671,592 S

Page 2

U.S. PATENT DOCUMENTS	2011/0252940 A1* 10/2011 Lye	84/173
2007/0289427 A1* 12/2007 Liang	84/291	
2009/0199695 A1* 8/2009 Schmidt	84/291	* cited by examiner

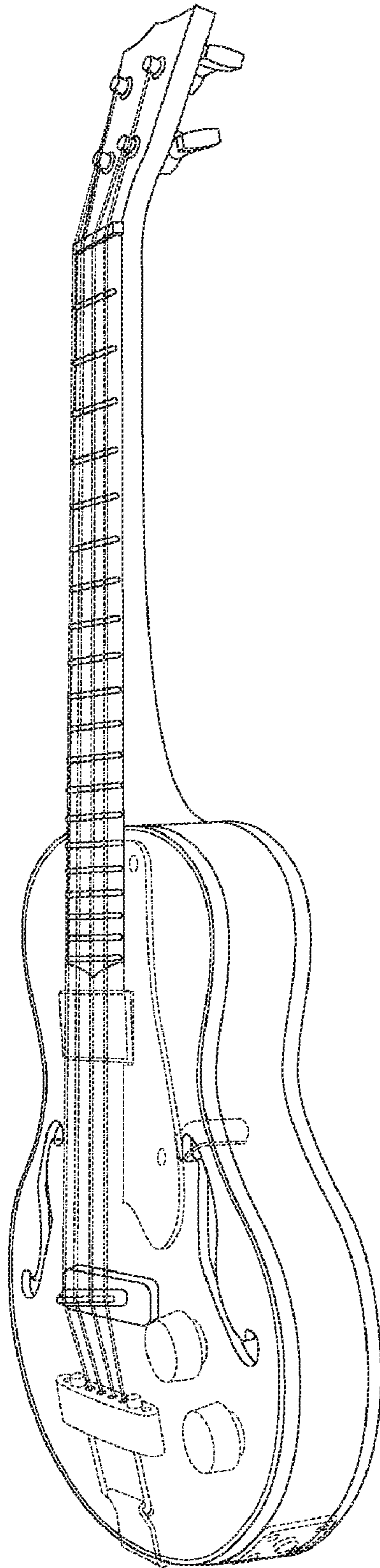


Fig. 1

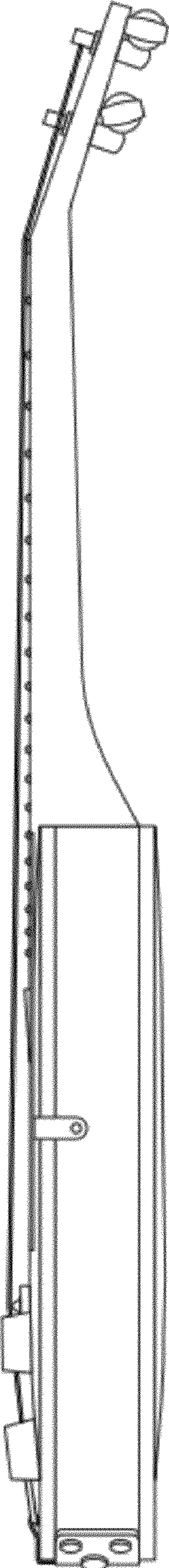


Fig. 2

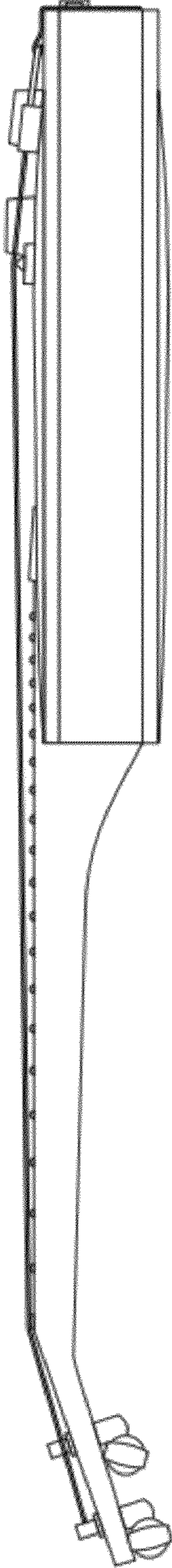


Fig. 3

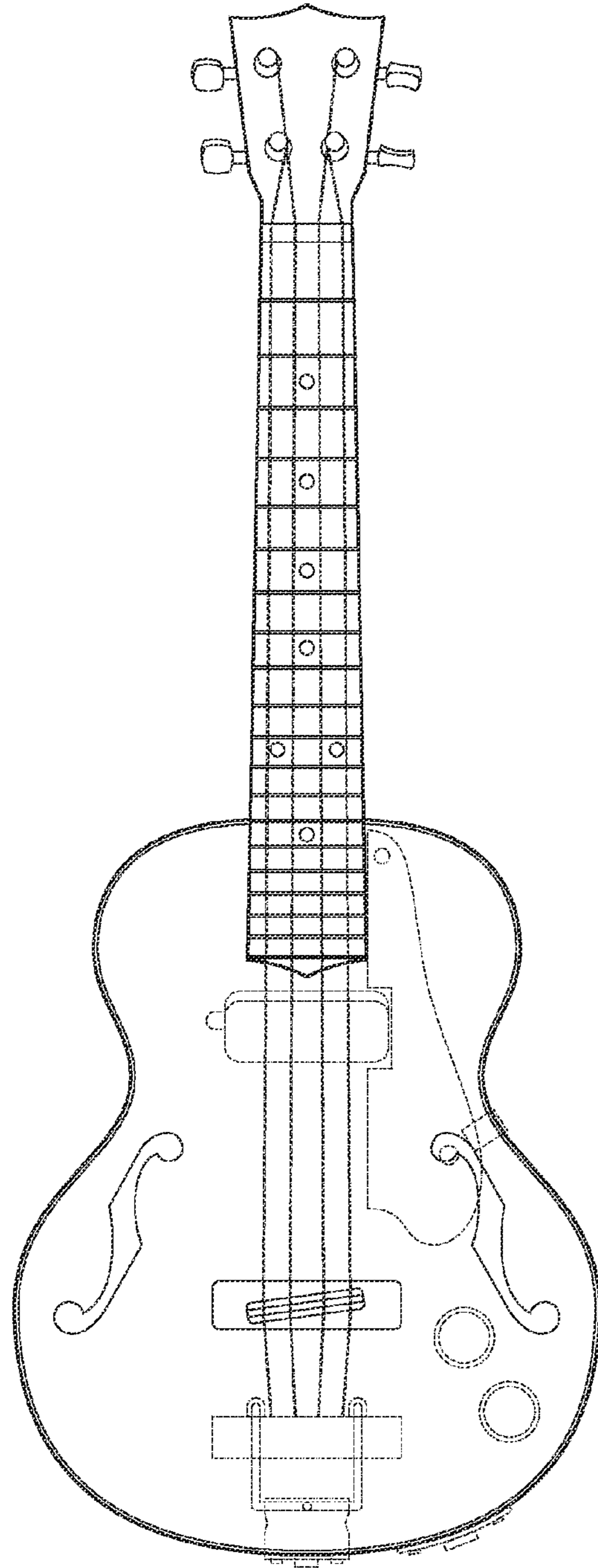


Fig. 4

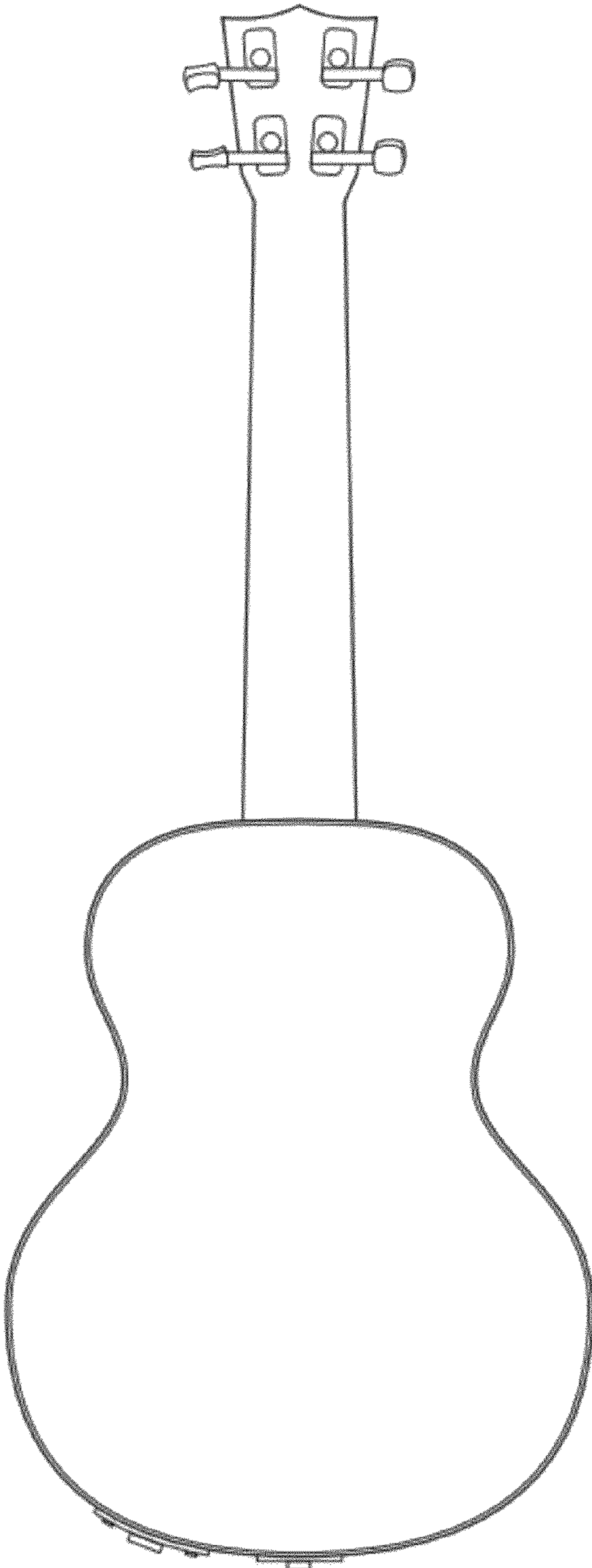


Fig. 5

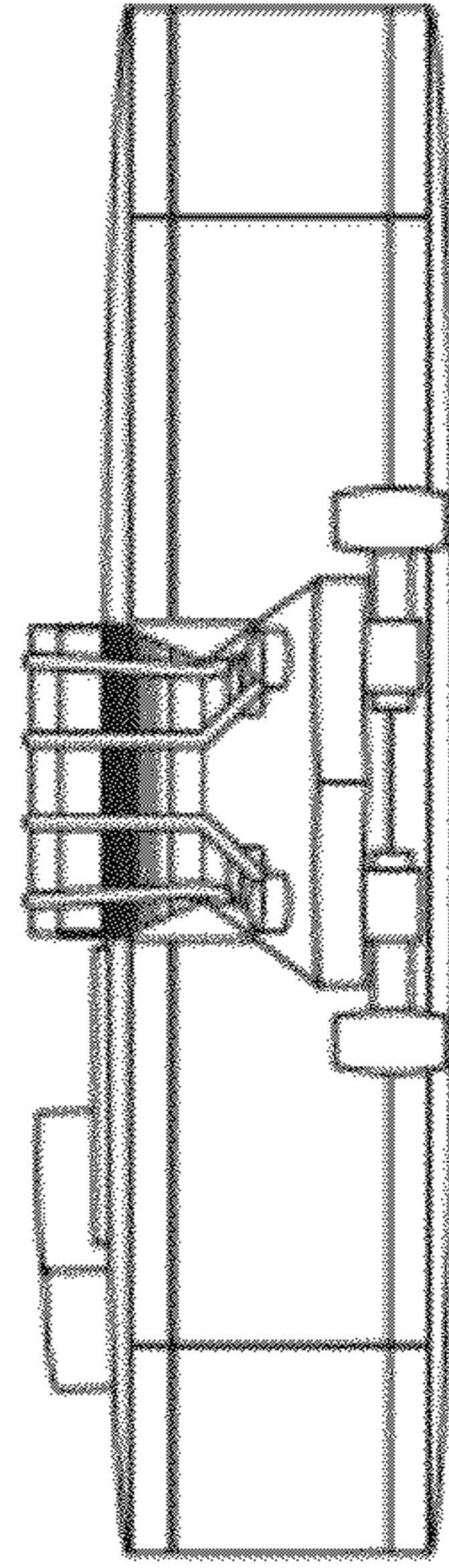


Fig. 6

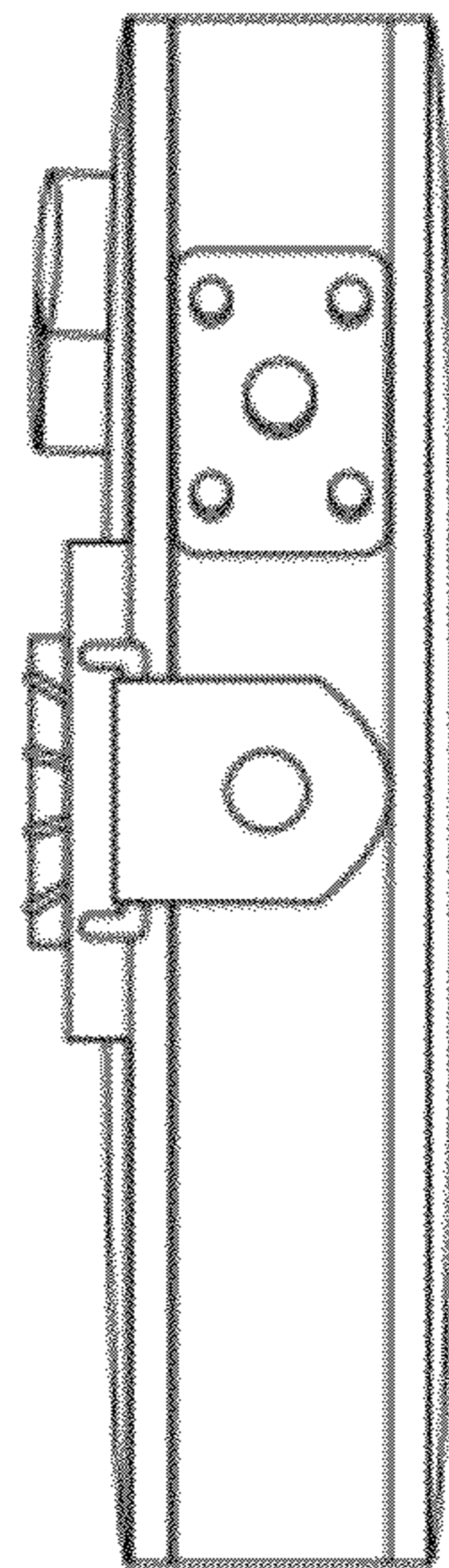


Fig. 7

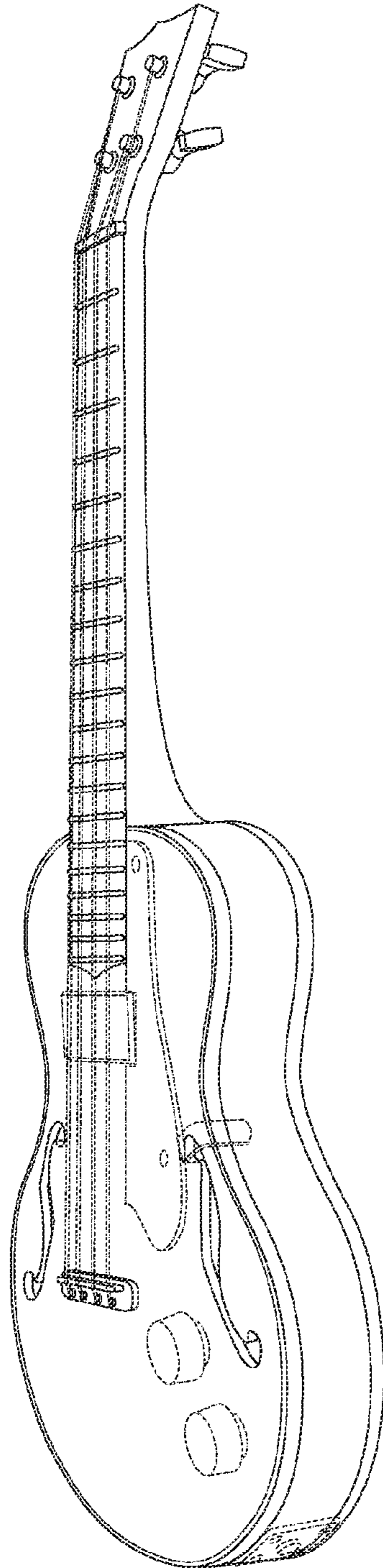


Fig. 8

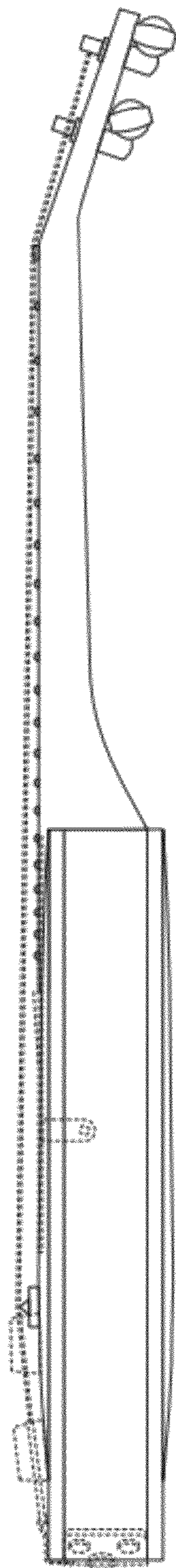


Fig. 9

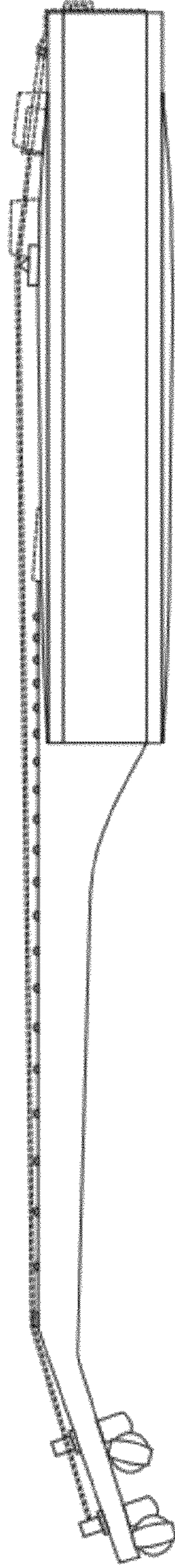


Fig. 10

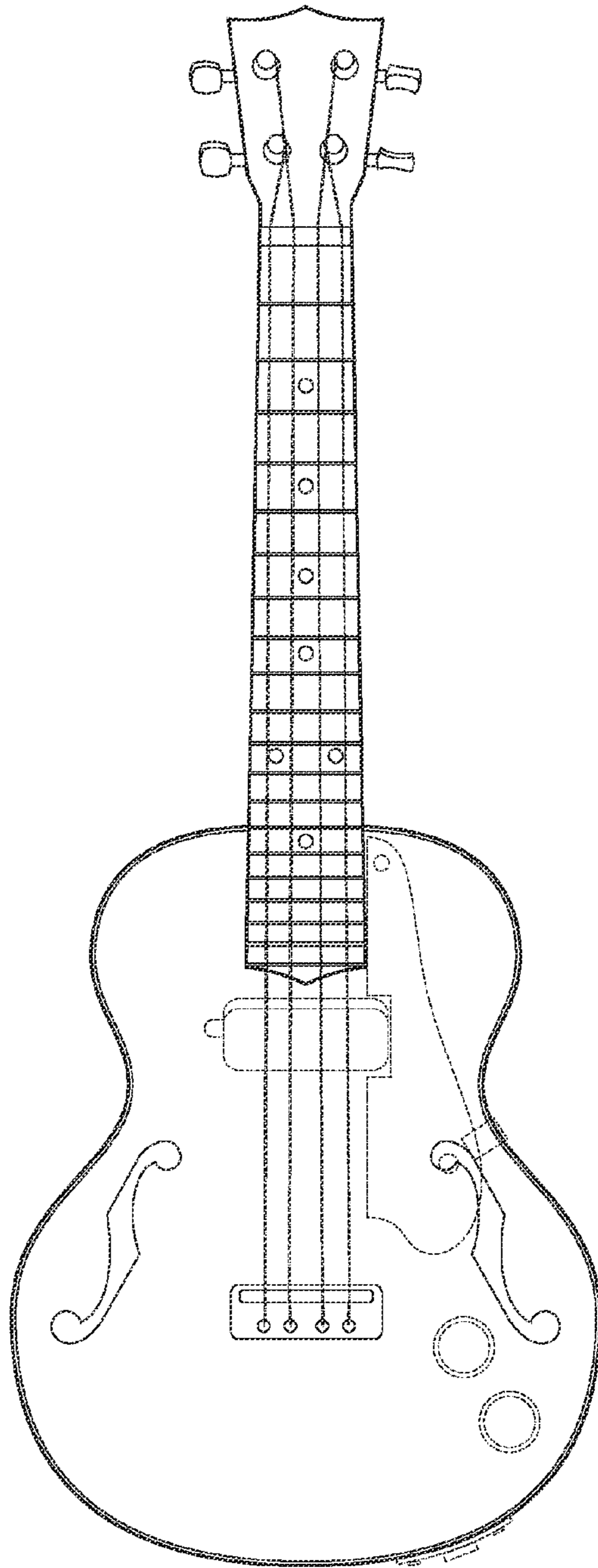


Fig. 11

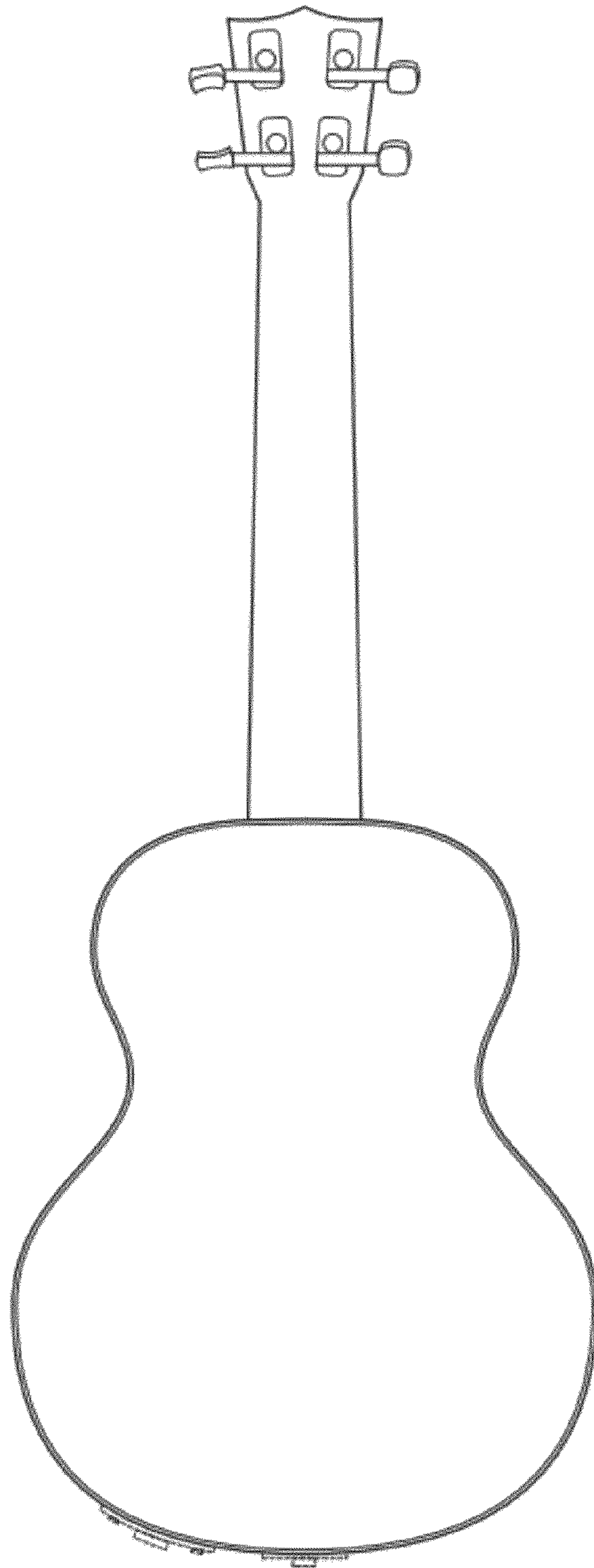


Fig. 12

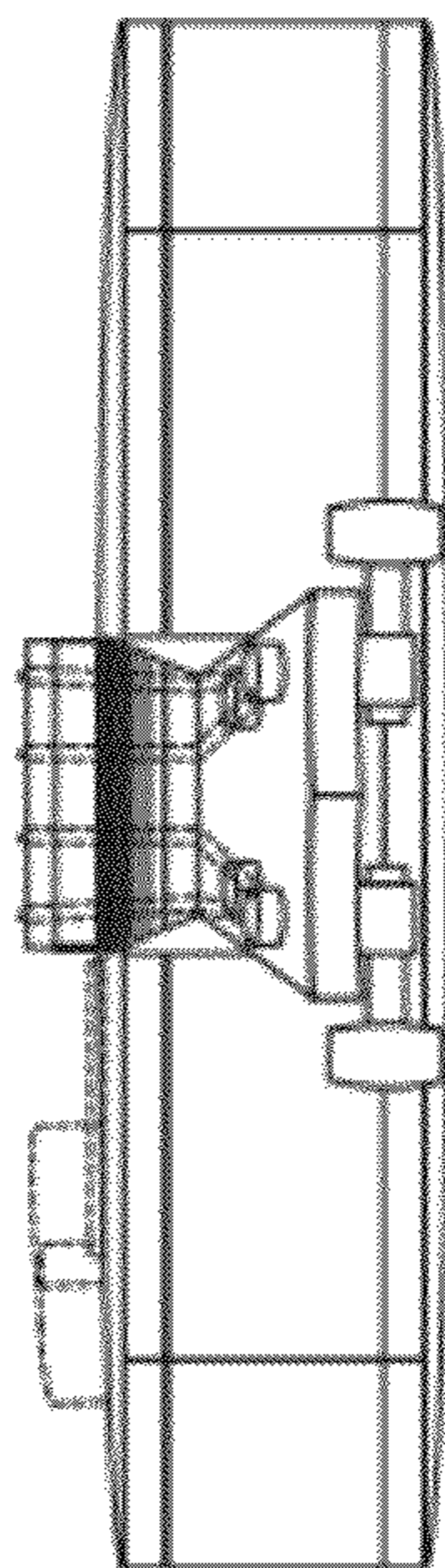


Fig. 14

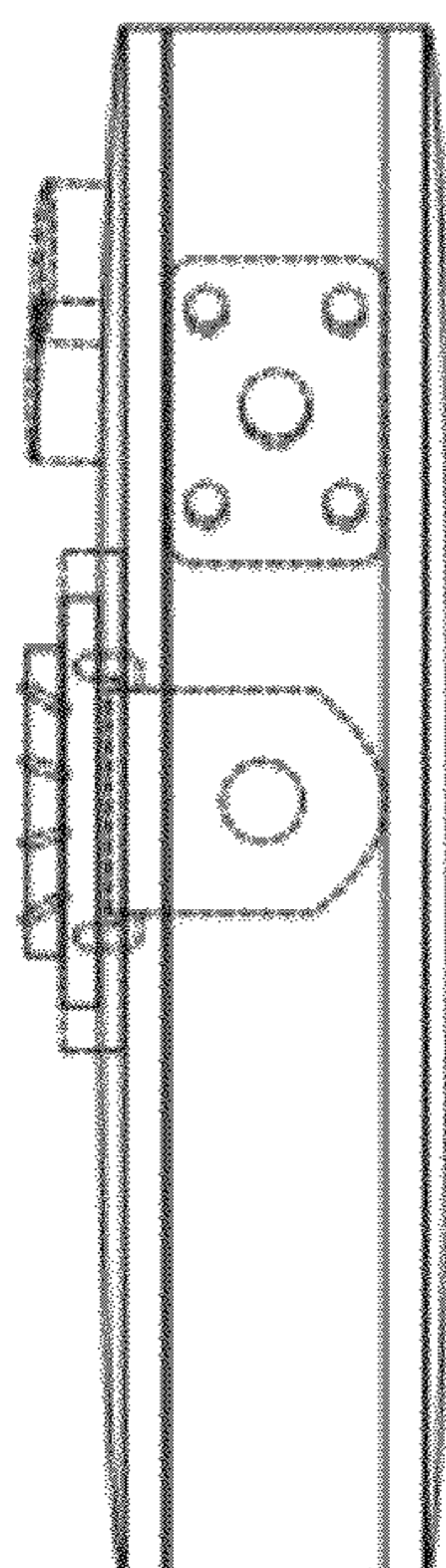


Fig. 13