



US00D671588S

(12) **United States Design Patent**  
**Couch, III**

(10) **Patent No.:** **US D671,588 S**

(45) **Date of Patent:** **\*\* Nov. 27, 2012**

(54) **SNOOT WITH TELESCOPING TUBE**

(76) Inventor: **Quest C. Couch, III**, New Braunfels,  
TX (US)

(\*\*) Term: **14 Years**

(21) Appl. No.: **29/375,182**

(22) Filed: **Sep. 17, 2010**

(51) **LOC (9) Cl.** ..... **16-05**

(52) **U.S. Cl.** ..... **D16/237; D16/219**

(58) **Field of Classification Search** ..... **D16/200,**  
**D16/202, 204, 208, 212, 218, 219, 237, 246;**  
**348/373, 374, 375, 376; 358/909.1; 396/349,**  
**396/448, 535, 536, 537, 538, 539, 540, 541,**  
**396/174; 362/18, 7, 17**

See application file for complete search history.

(56) **References Cited**

**U.S. PATENT DOCUMENTS**

D189,726	S	2/1961	Cunningham, Jr.	
4,109,301	A	8/1978	Wakimura	
4,564,143	A *	1/1986	Touze	239/132.3
4,757,425	A	7/1988	Waltz	
D342,273	S	12/1993	Couch	
5,311,409	A	5/1994	King	
5,652,602	A *	7/1997	Fishman et al.	345/156
D395,328	S *	6/1998	Palmer	D16/237
5,778,264	A	7/1998	Kean	
5,803,571	A *	9/1998	McEntyre et al.	362/18
6,010,234	A *	1/2000	Rahn	362/320
7,264,380	B1 *	9/2007	Monroe et al.	362/352
7,722,201	B2	5/2010	Manger	
7,925,151	B2 *	4/2011	Kobre	396/174
7,978,971	B1 *	7/2011	Honl	396/198

\* cited by examiner

*Primary Examiner* — Cynthia Underwood

(74) *Attorney, Agent, or Firm* — Cox Smith Matthews  
Incorporated

(57) **CLAIM**

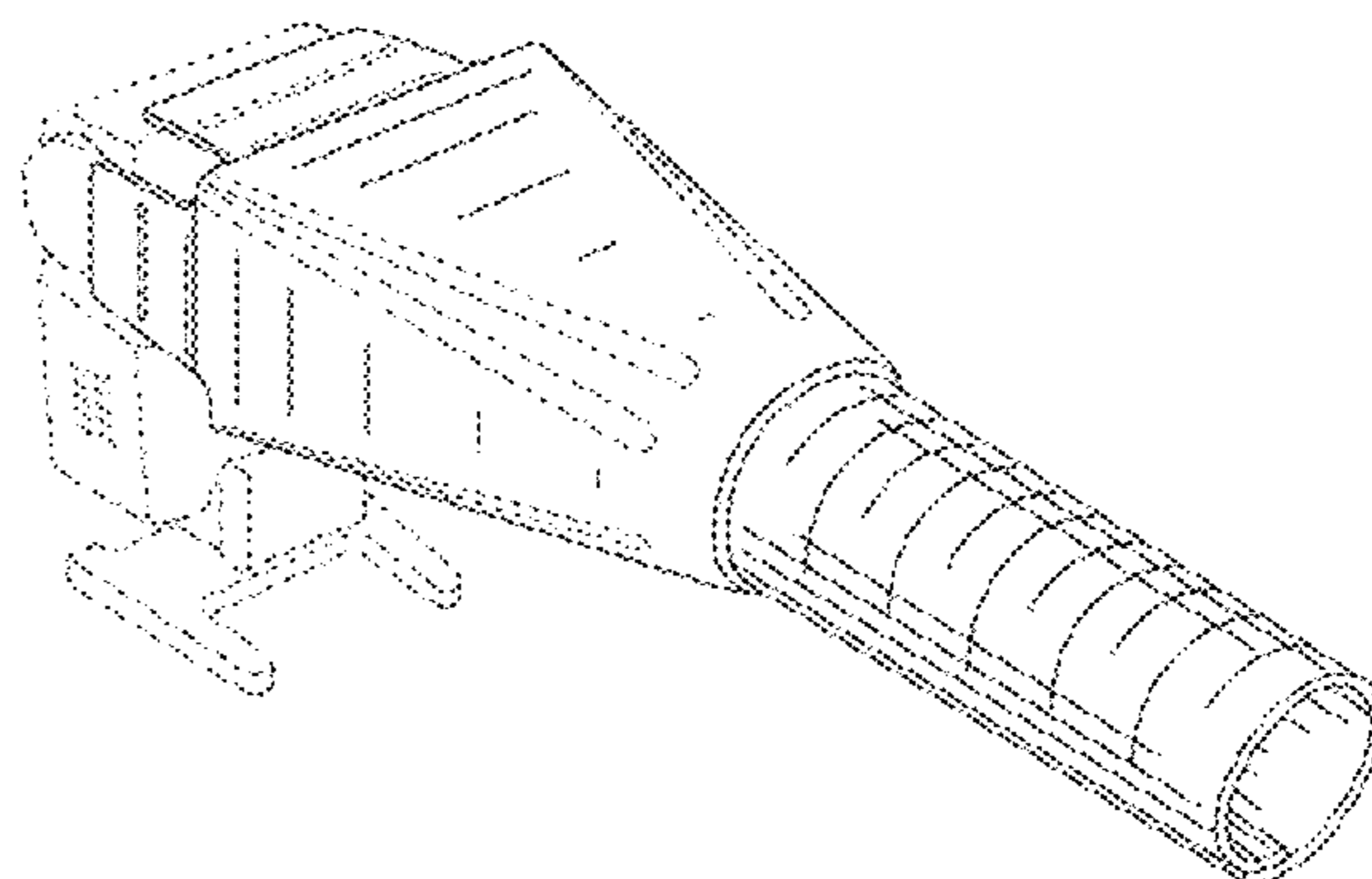
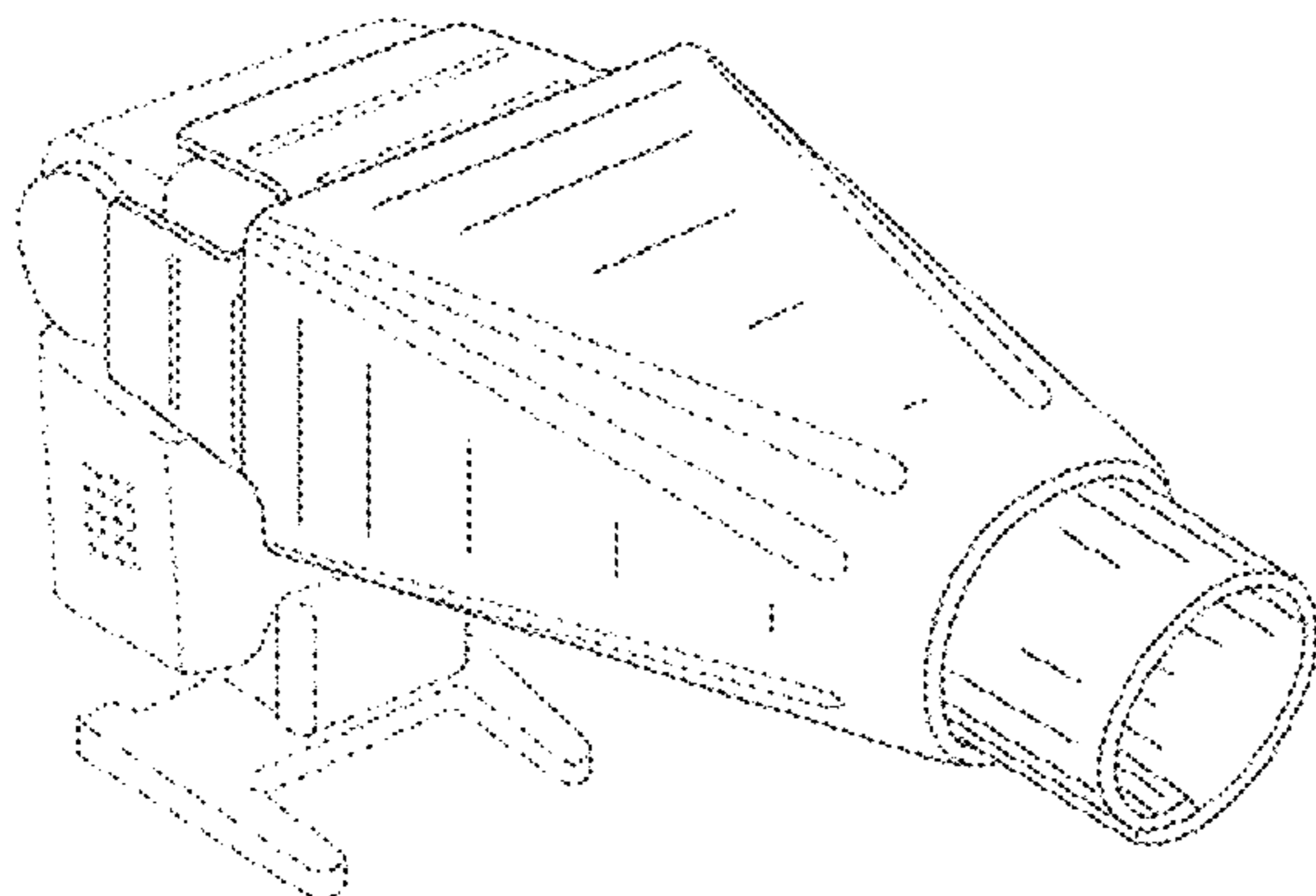
The ornamental design for a snoot with telescoping tube, as shown and described.

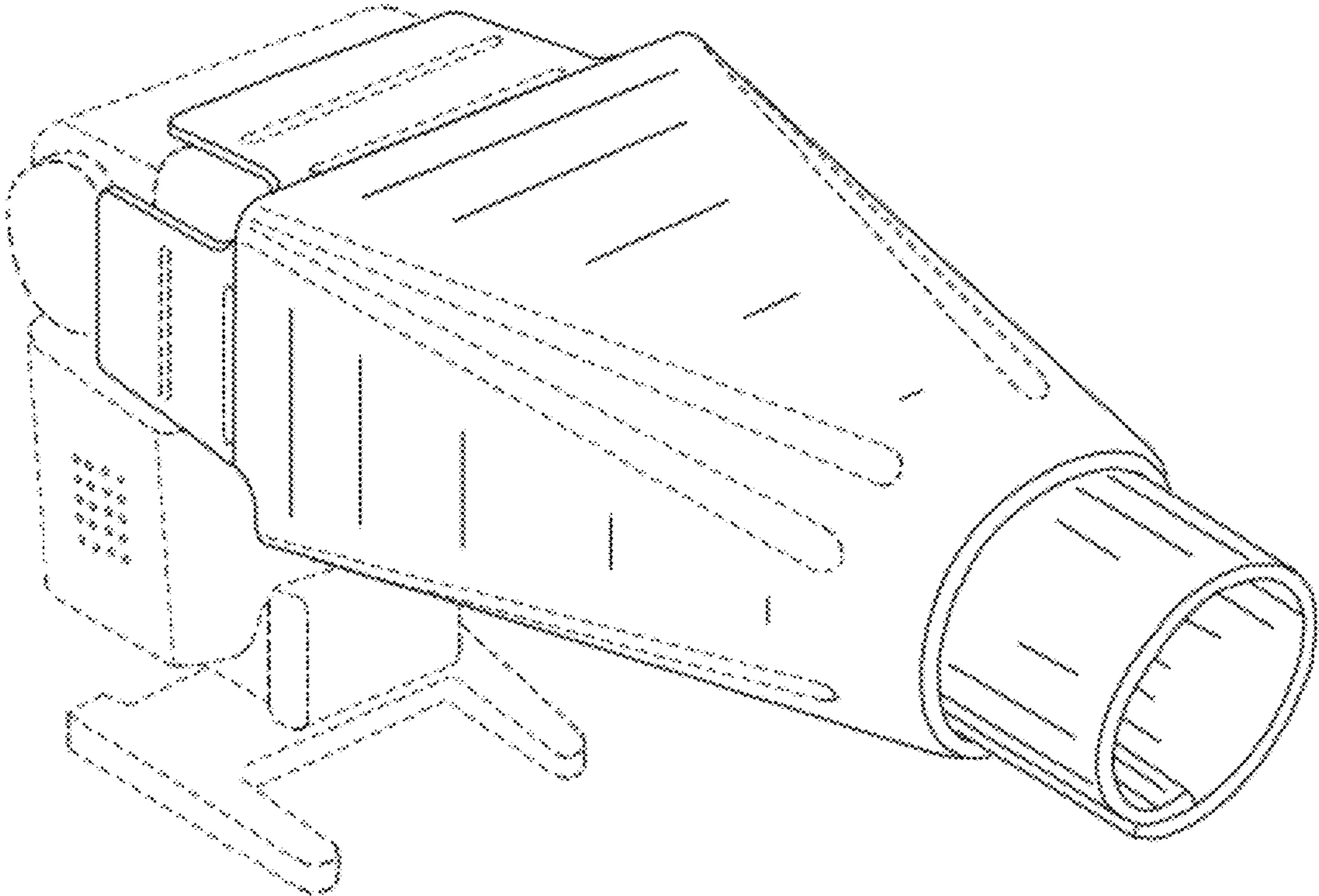
**DESCRIPTION**

FIG. 1 is a perspective view of a snoot with telescoping tube in a retracted position installed on a photographic flash unit; FIG. 2 is a front view of FIG. 1; FIG. 3 is an enlarged right side view of FIG. 1; FIG. 4 is an enlarged left side view of FIG. 1; FIG. 5 is a top plan view of FIG. 1; FIG. 6 is a bottom plan view of FIG. 1; FIG. 7 is a back view of FIG. 1; FIG. 8 is a perspective view of a snoot with telescoping tube in an extended position installed on a photographic flash unit; FIG. 9 is a front view of FIG. 8; FIG. 10 is an enlarged right side view of FIG. 8; FIG. 11 is an enlarged left side view of FIG. 8; FIG. 12 is a top plan view of FIG. 8; FIG. 13 is a bottom plan view of FIG. 8; FIG. 14 is a back view of FIG. 8; FIG. 15 is a top plan view of the snoot of FIGS. 1 and 8 shown separately from the snoot with telescoping tube in an unfolded position; FIG. 16 is a bottom plan view of the snoot of FIGS. 1 and 8 shown separately from the snoot with telescoping tube in an unfolded position; FIG. 17 is a top plan view of the tube of FIGS. 1 and 8 shown separately from the snoot with telescoping tube in an unrolled position; and, FIG. 18 is a bottom plan view of the tube of FIGS. 1 and 8 shown separately from the snoot with telescoping tube in an unrolled position.

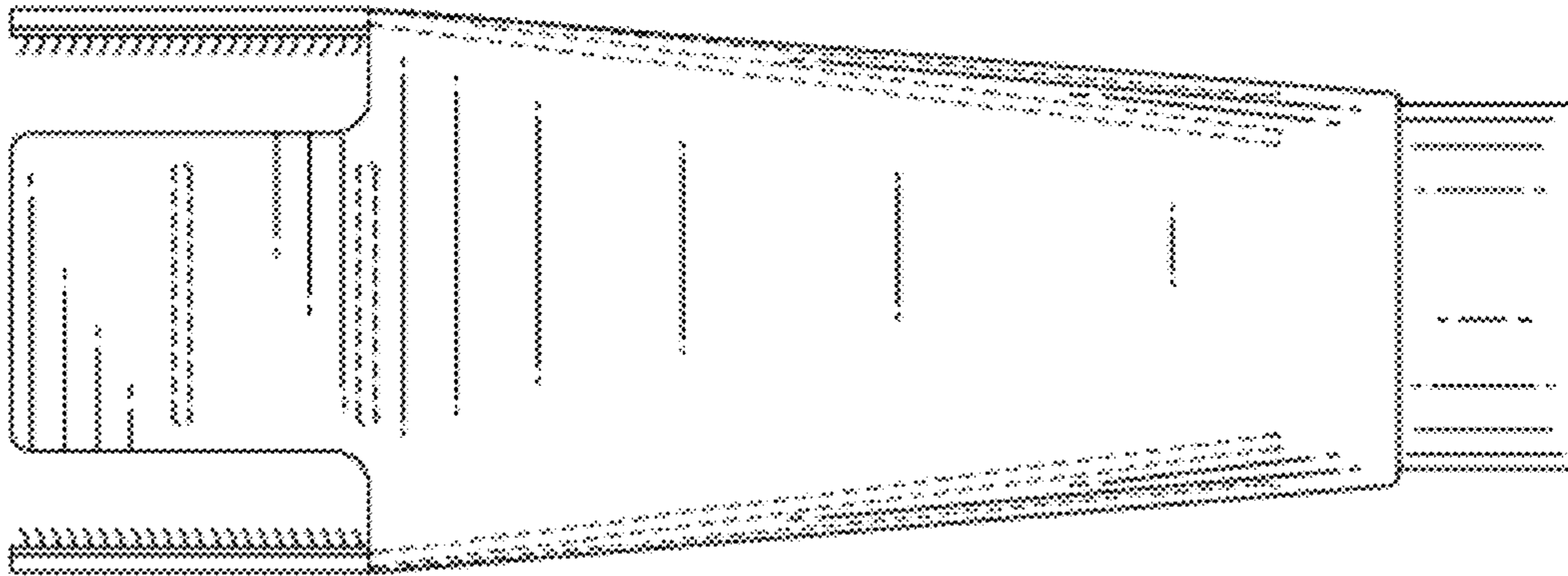
The broken lines showing environment are for illustrative purposes only and form no part of the claimed design. The hook-shaped lines and squiggly lines illustrate hook and loop material, respectively.

**1 Claim, 11 Drawing Sheets**

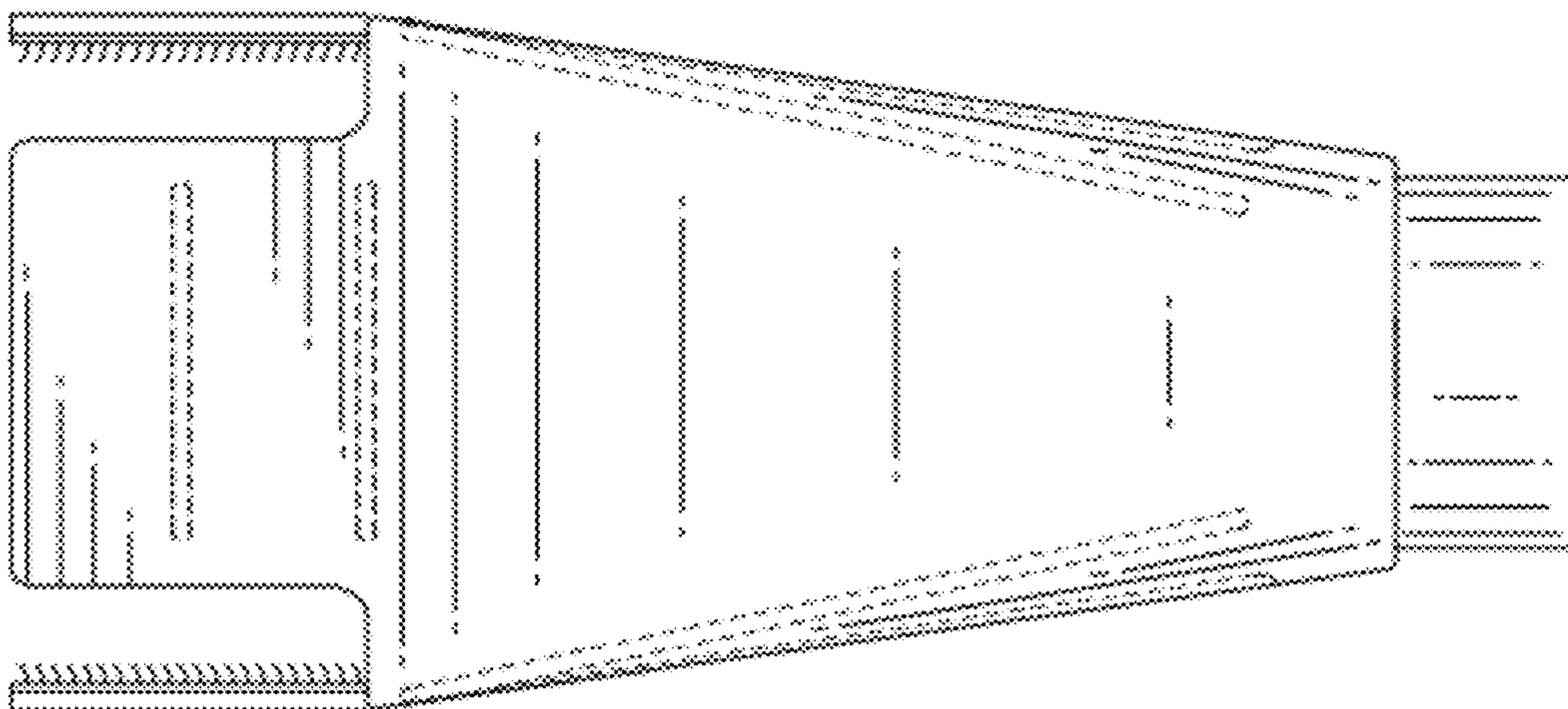




*Fig. 1*



*Fig. 2*



*Fig. 5*

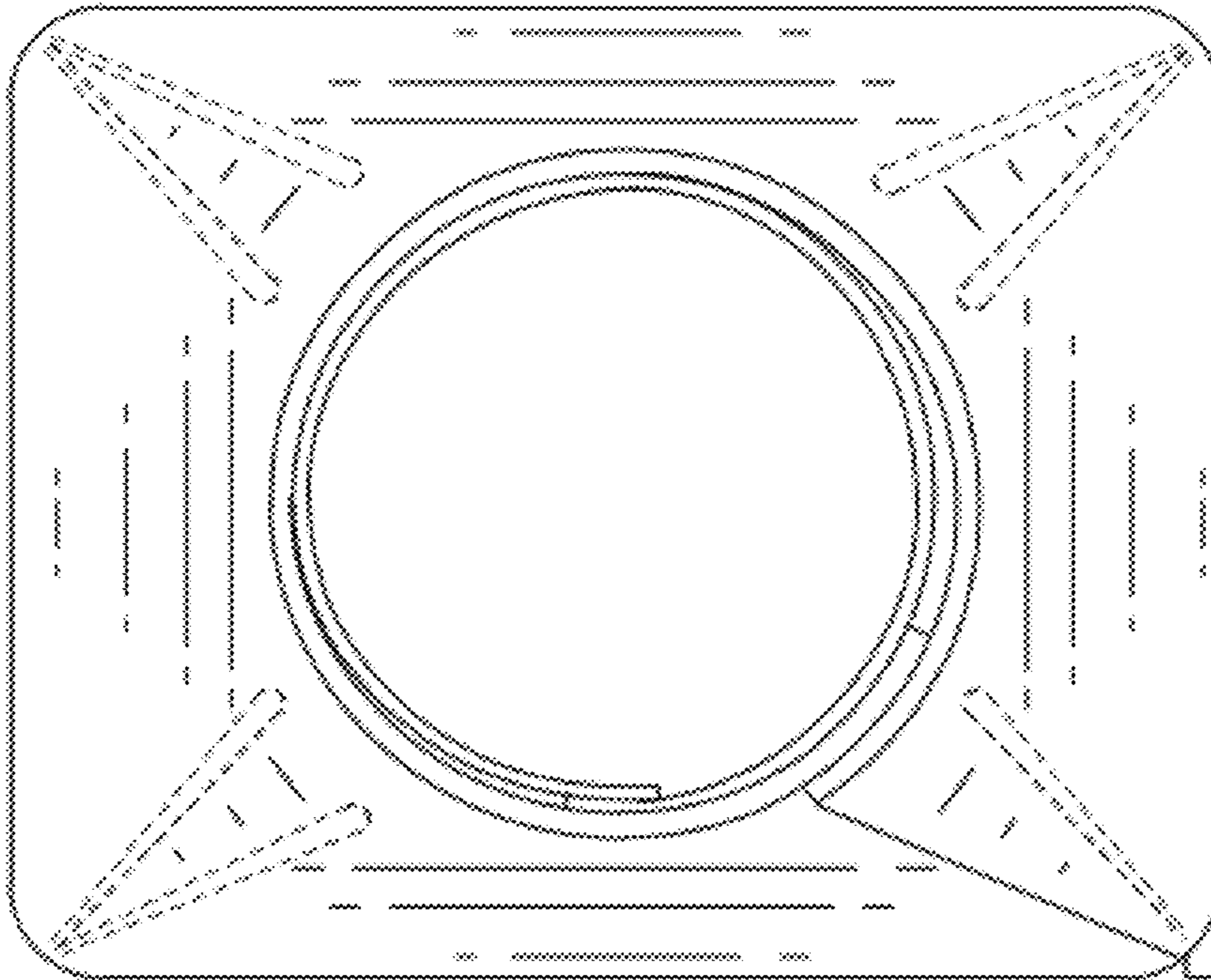


Fig. 3

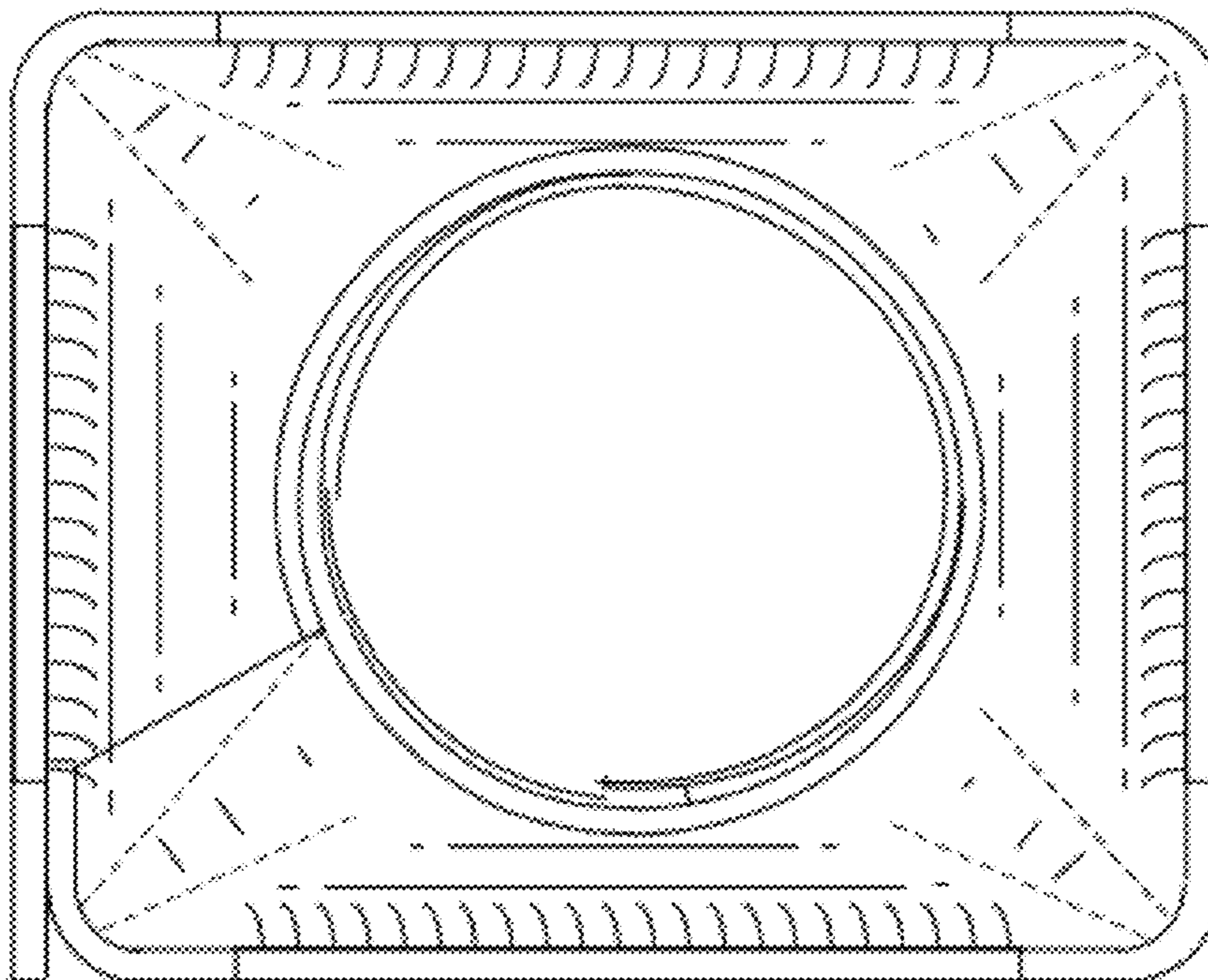
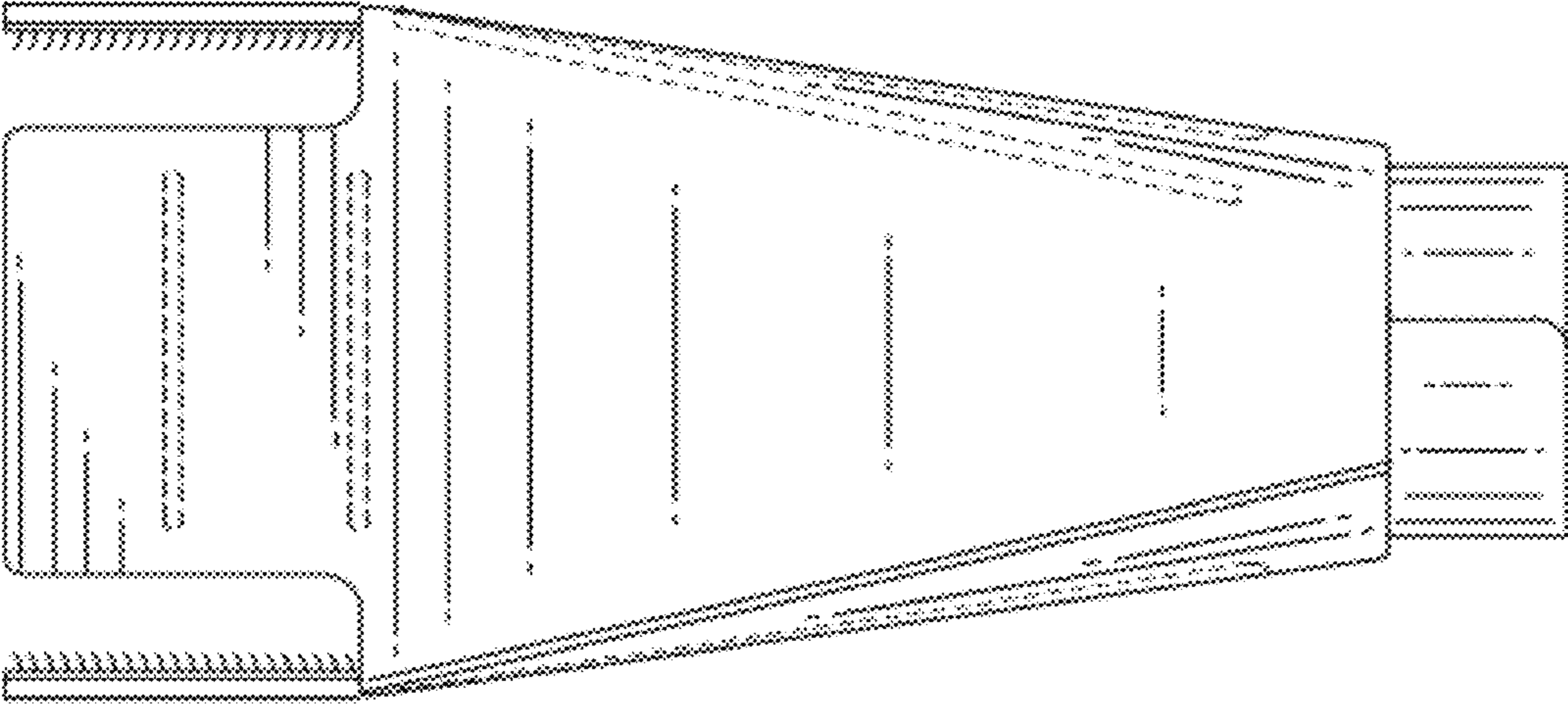
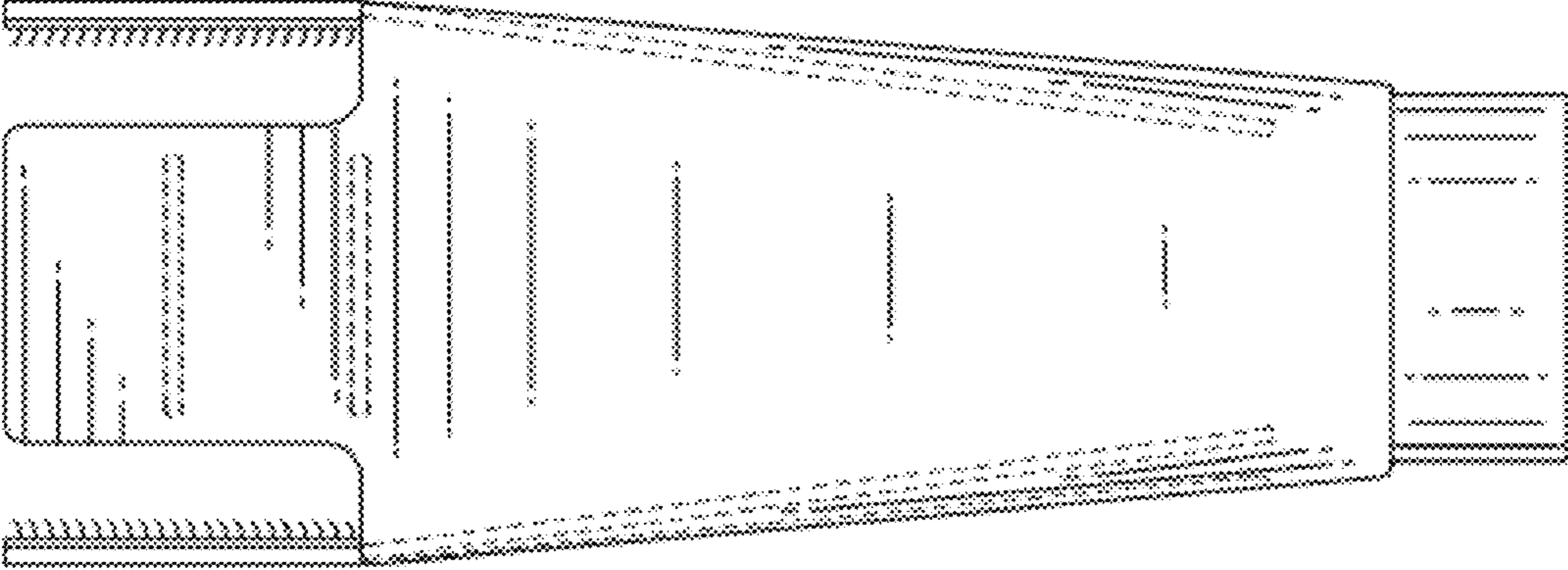


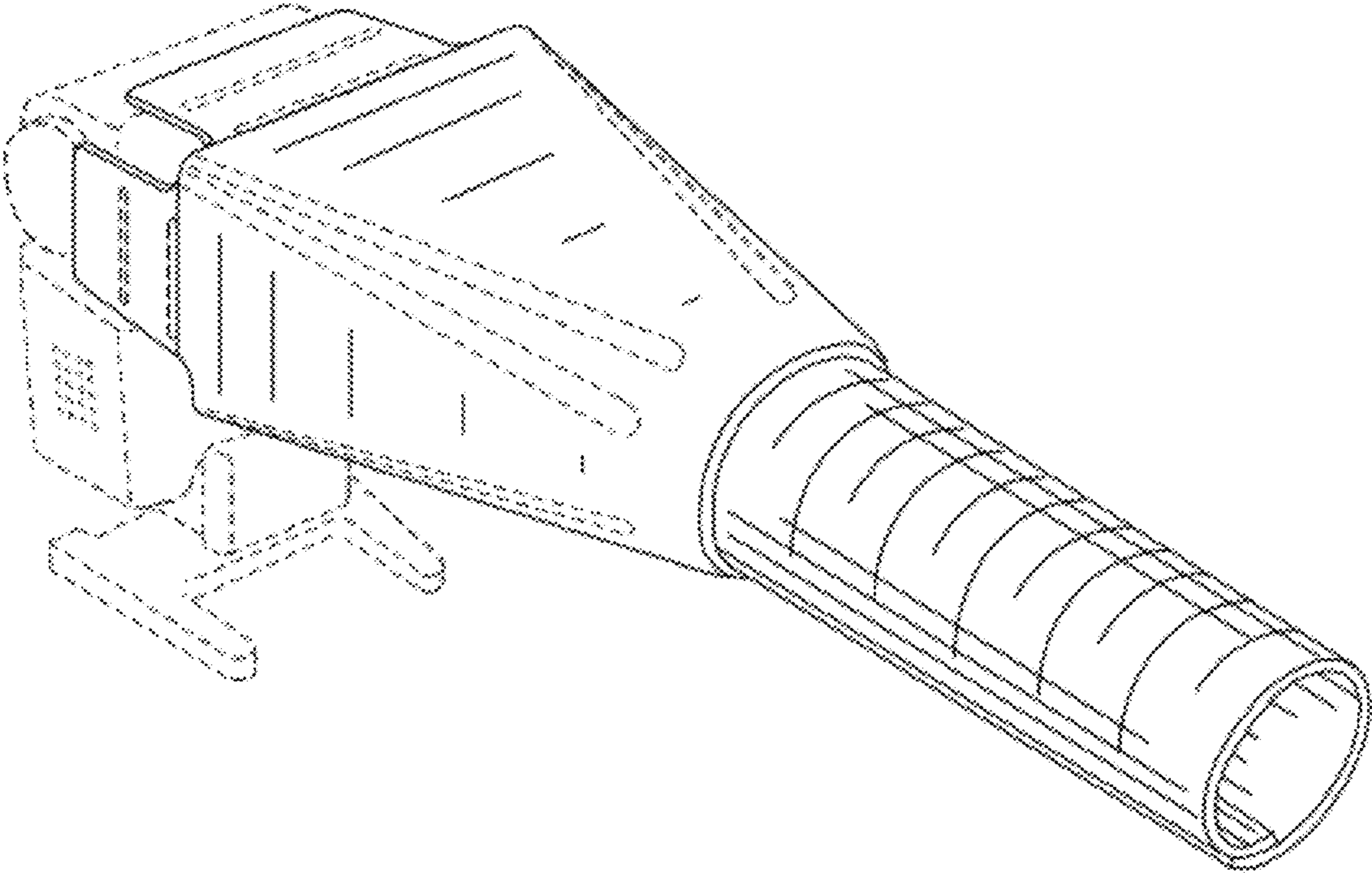
Fig. 4



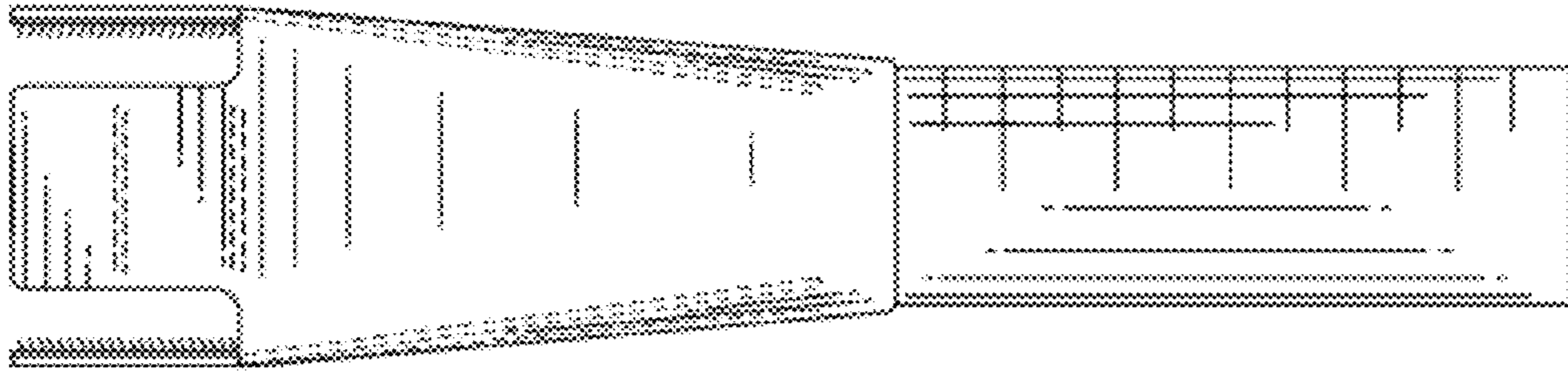
*Fig. 6*



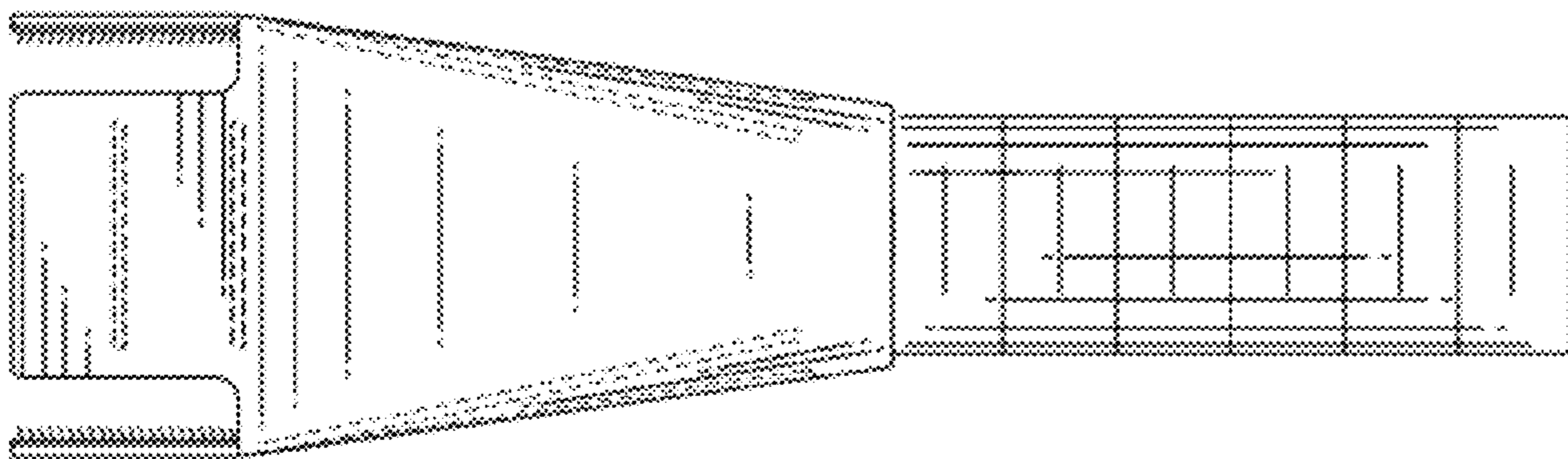
*Fig. 7*



*Fig. 8*



*Fig. 9*



*Fig. 12*

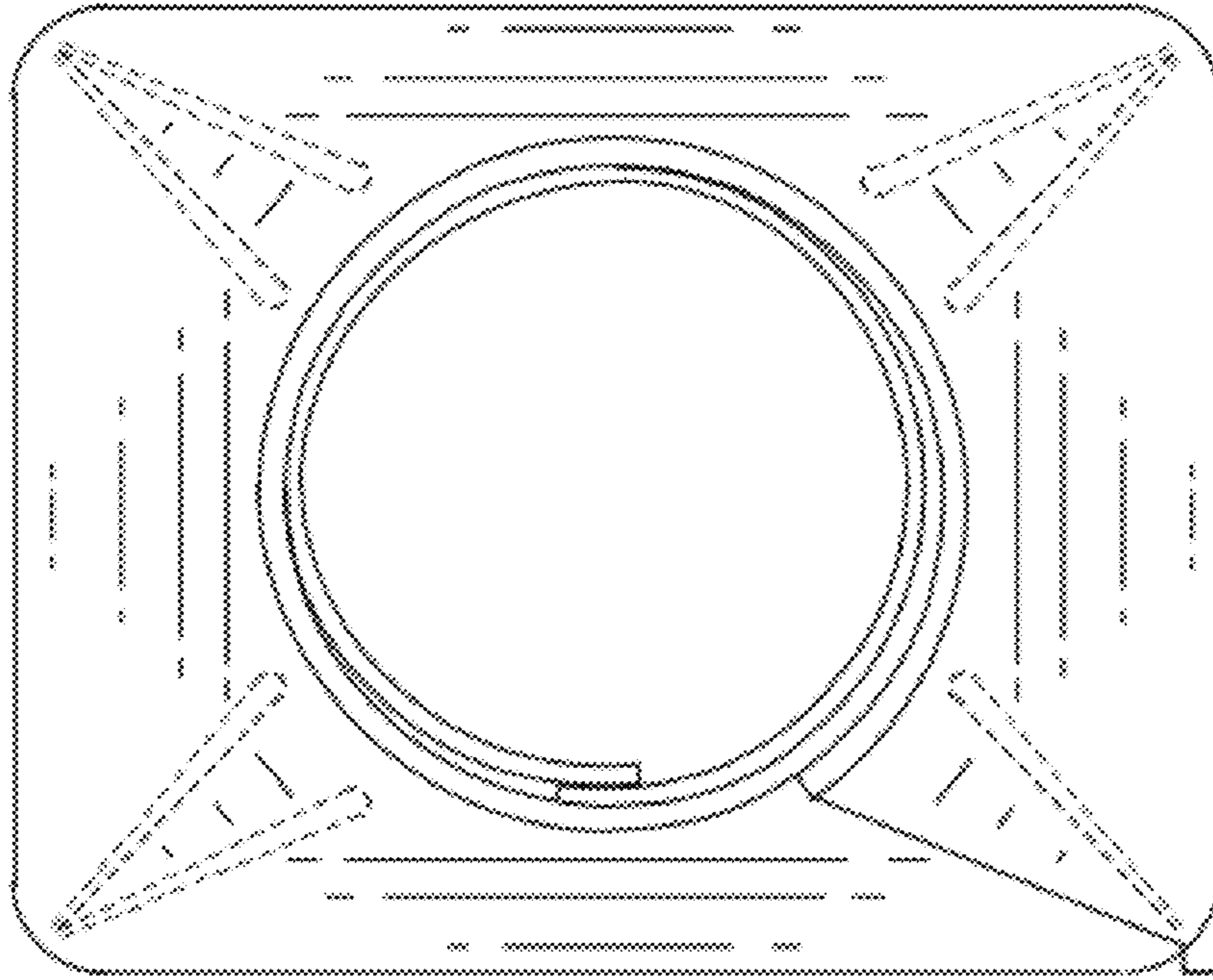


Fig. 10

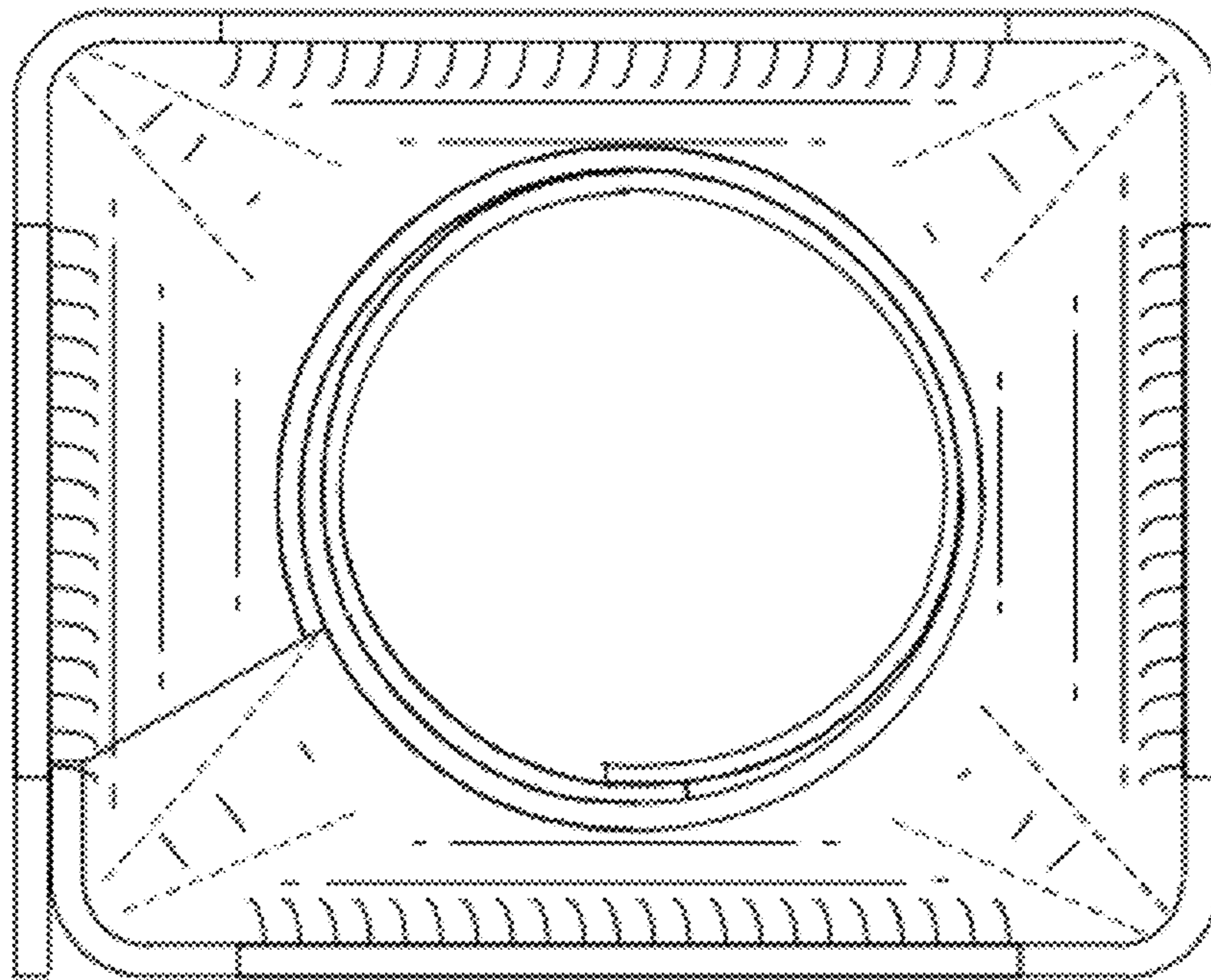
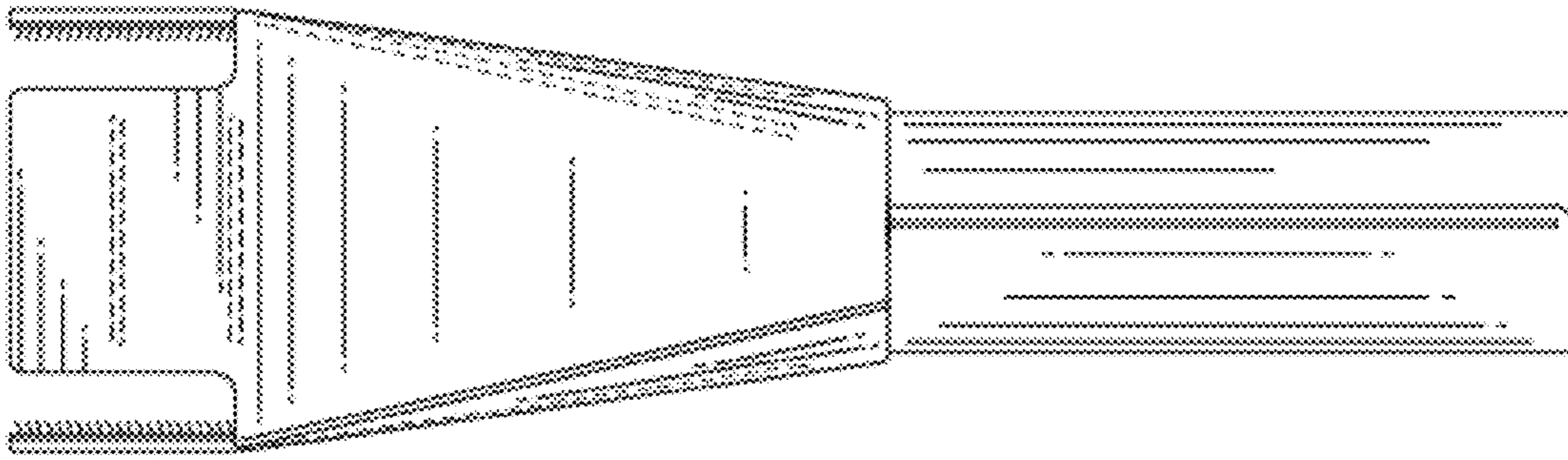
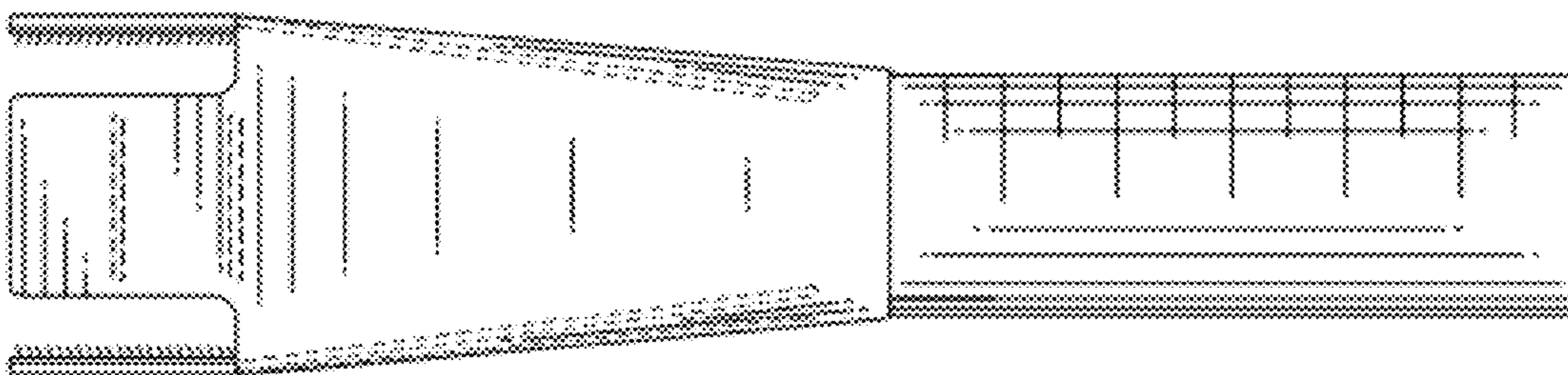


Fig. 11





*Fig. 13*



*Fig. 14*

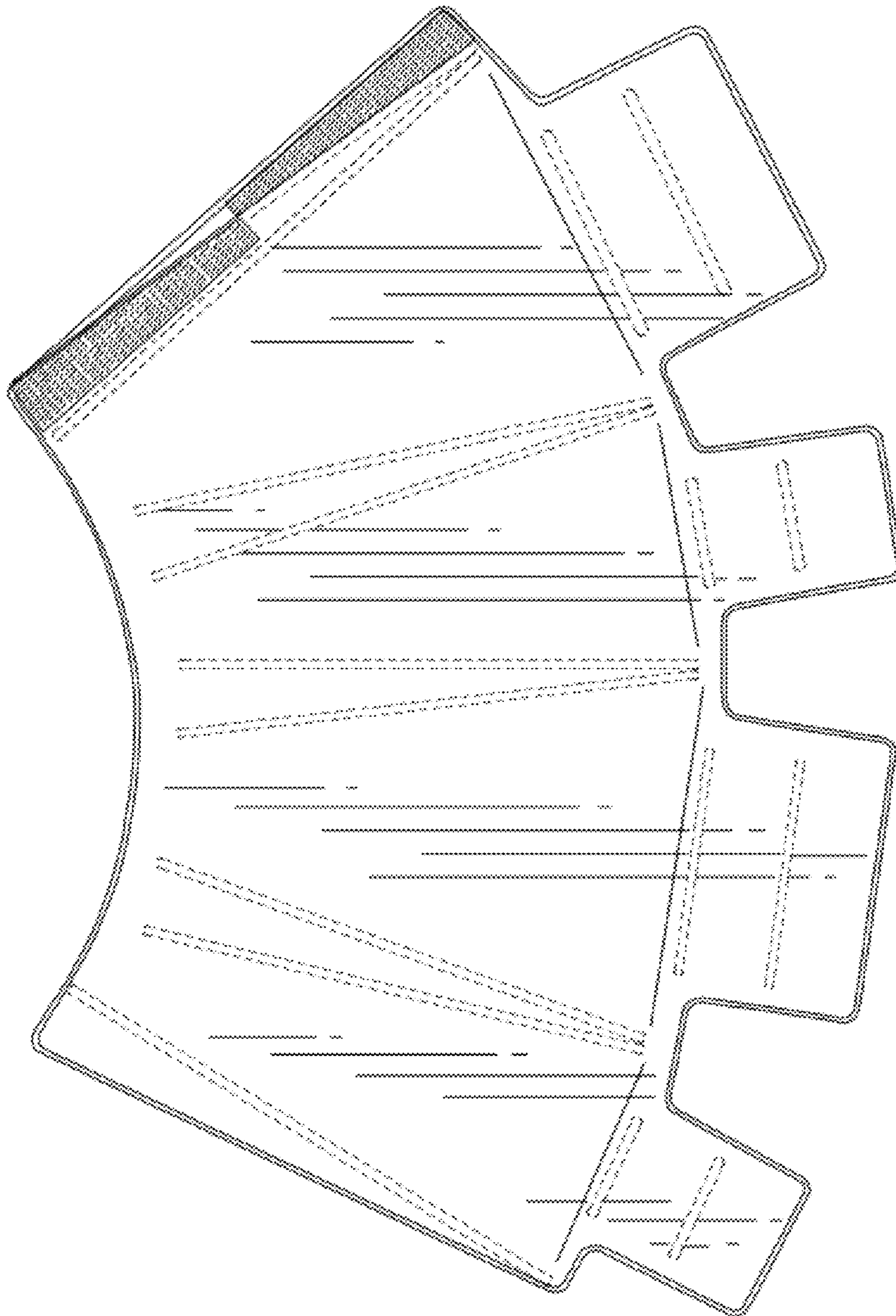


Fig. 15

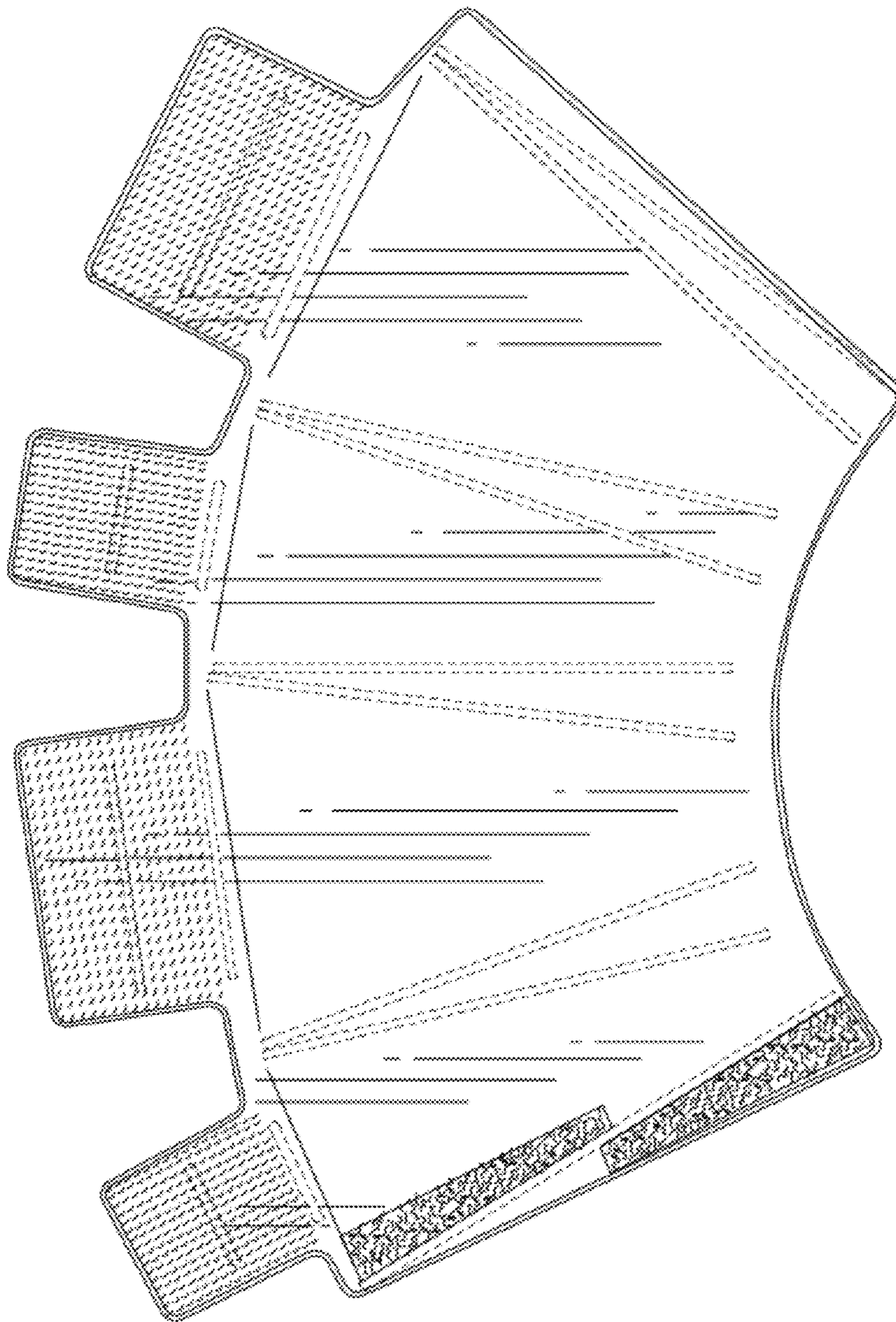


Fig. 16

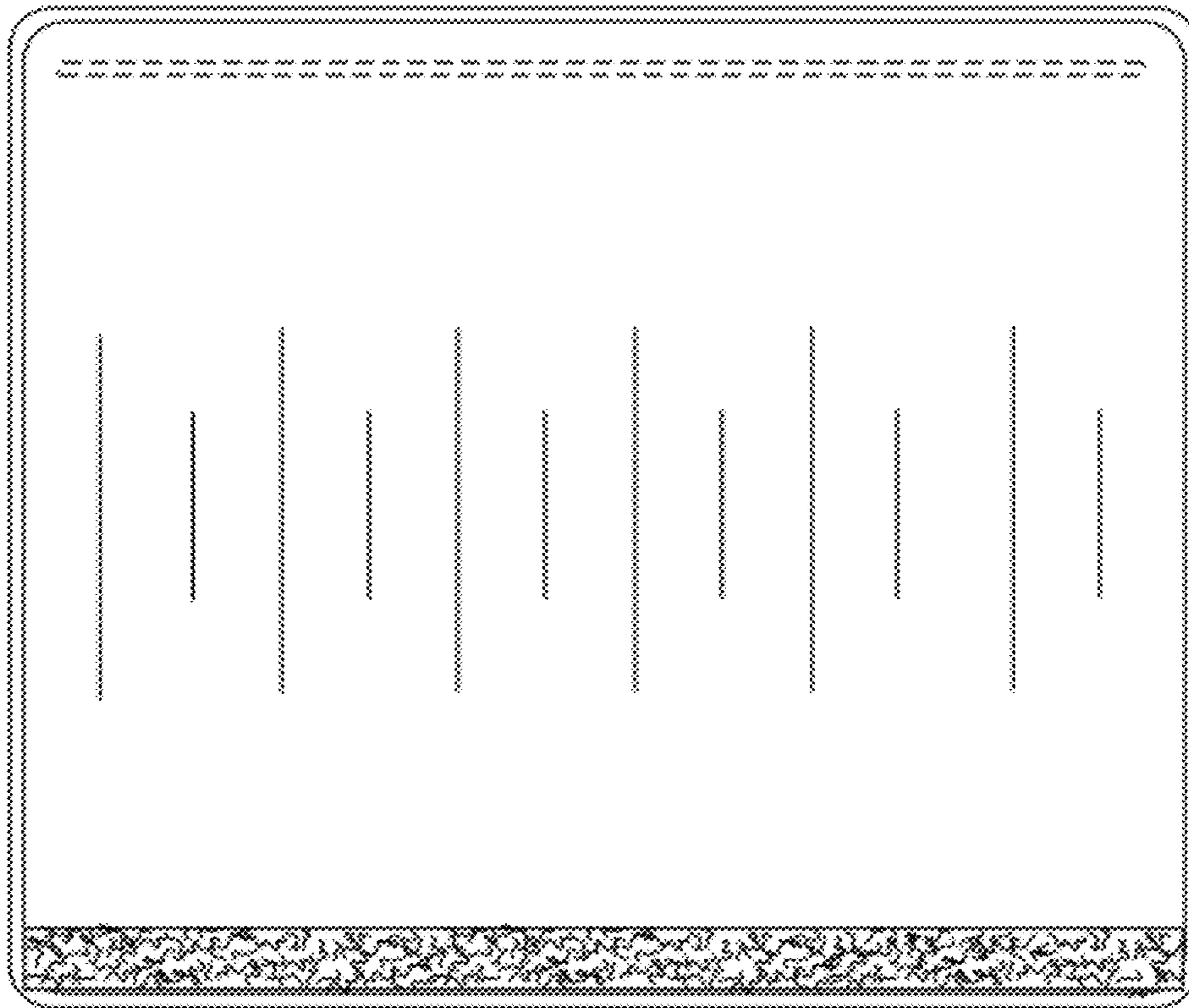


Fig. 17



Fig. 18