



US00D671586S

(12) **United States Design Patent**
Asano et al.

(10) **Patent No.:** **US D671,586 S**
(45) **Date of Patent:** **** Nov. 27, 2012**

(54) **CAMERA LENS**

(75) Inventors: **Hideaki Asano**, Chiba (JP); **Arata Ono**,
Odawara (JP); **Masaaki Yanagisawa**,
Chigasaki (JP)

(73) Assignee: **Nikon Corporation** (JP)

(**) Term: **14 Years**

(21) Appl. No.: **29/398,584**

(22) Filed: **Aug. 2, 2011**

(30) **Foreign Application Priority Data**

Feb. 7, 2011 (JP) 2011-002541

(51) **LOC (9) Cl.** **16-05**

(52) **U.S. Cl.** **D16/219**

(58) **Field of Classification Search** D16/134,
D16/136, 200, 204, 219, 243; 359/819, 827,
359/828; 396/529-532

See application file for complete search history.

(56) **References Cited**

U.S. PATENT DOCUMENTS

D390,857 S * 2/1998 Hayamizu D16/134

D401,264 S * 11/1998 Miyamoto D16/243
D441,382 S * 5/2001 Konno et al. D16/219
D449,322 S * 10/2001 Ono et al. D16/219
D615,118 S * 5/2010 Isozaki D16/243
8,002,483 B2 * 8/2011 Fujiwara et al. 396/531

* cited by examiner

Primary Examiner — Adir Aronovich

(74) *Attorney, Agent, or Firm* — Caesar, Rivise, Bernstein,
Cohen & Pokotilow, Ltd.

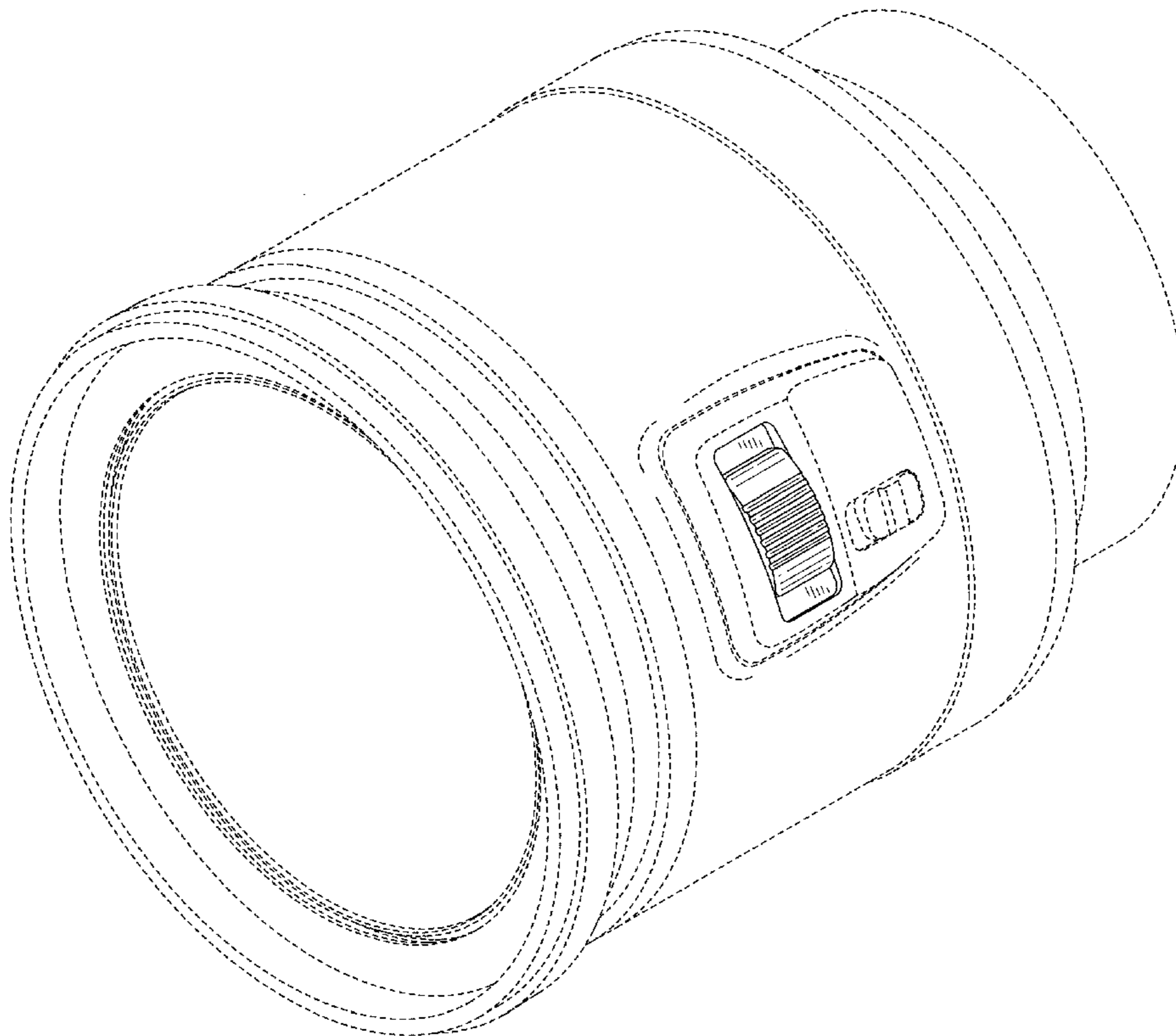
(57) **CLAIM**

The ornamental design for a camera lens, as shown and
described.

DESCRIPTION

FIG. 1 is a front and right side perspective view of a camera
lens showing our new design;
FIG. 2 is a front elevational view thereof;
FIG. 3 is a rear elevational view thereof;
FIG. 4 is a top plan view thereof; and,
FIG. 5 is a right side elevational view thereof.
The features shown in broken lines in the drawings depict
environmental subject matter only and form no part of the
claimed design.

1 Claim, 5 Drawing Sheets



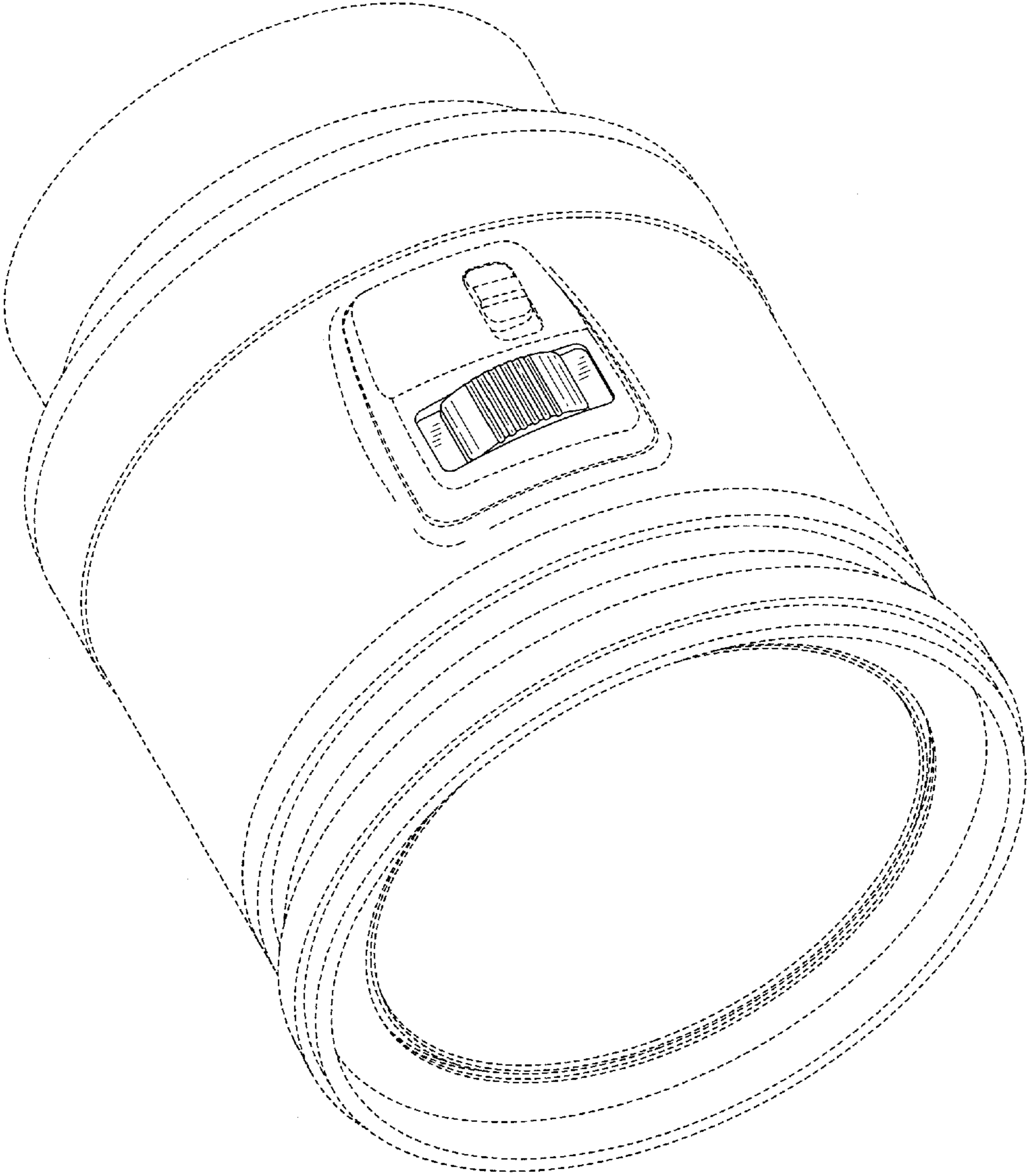


Fig. 1

Fig. 2

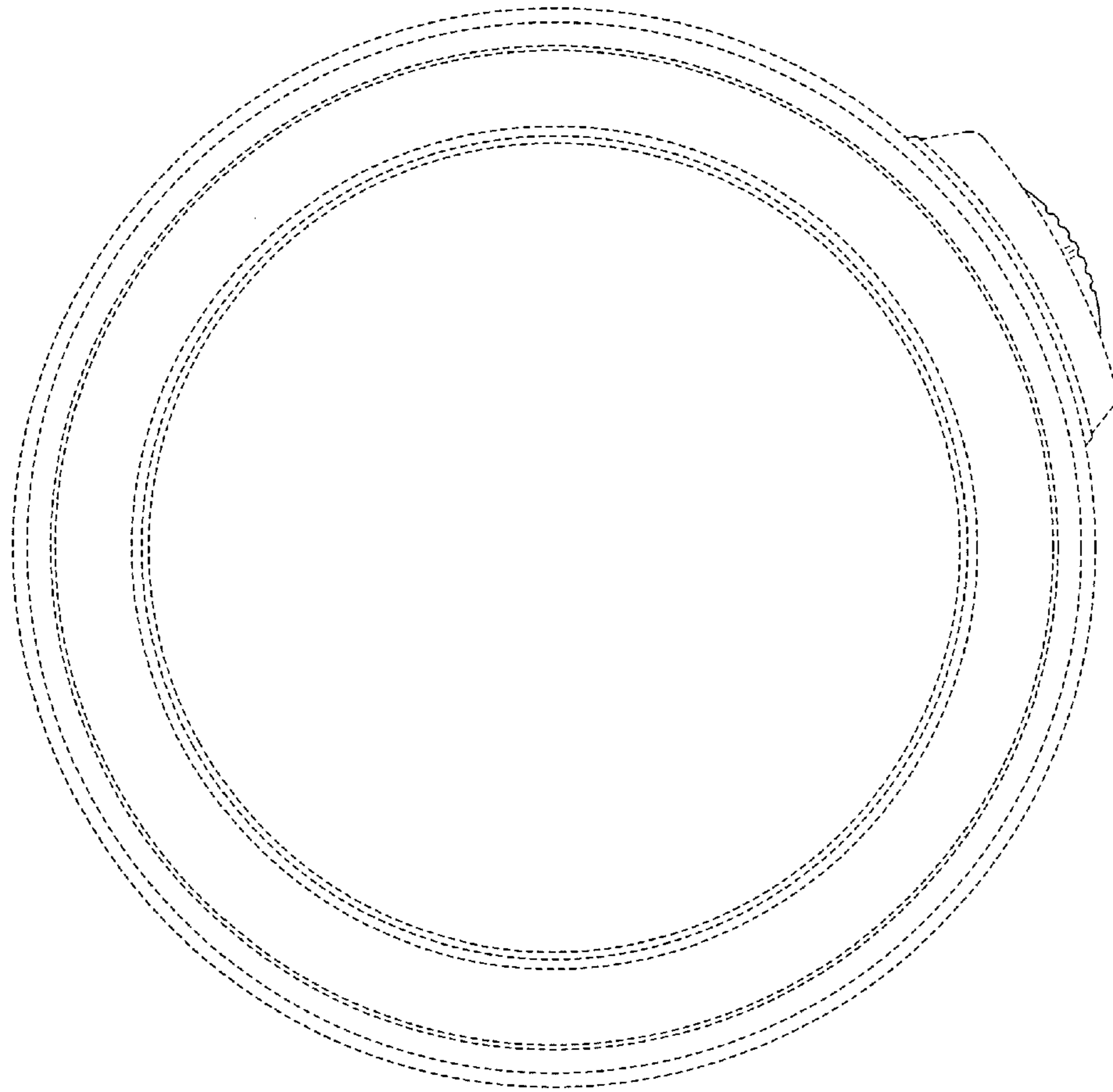


Fig. 3

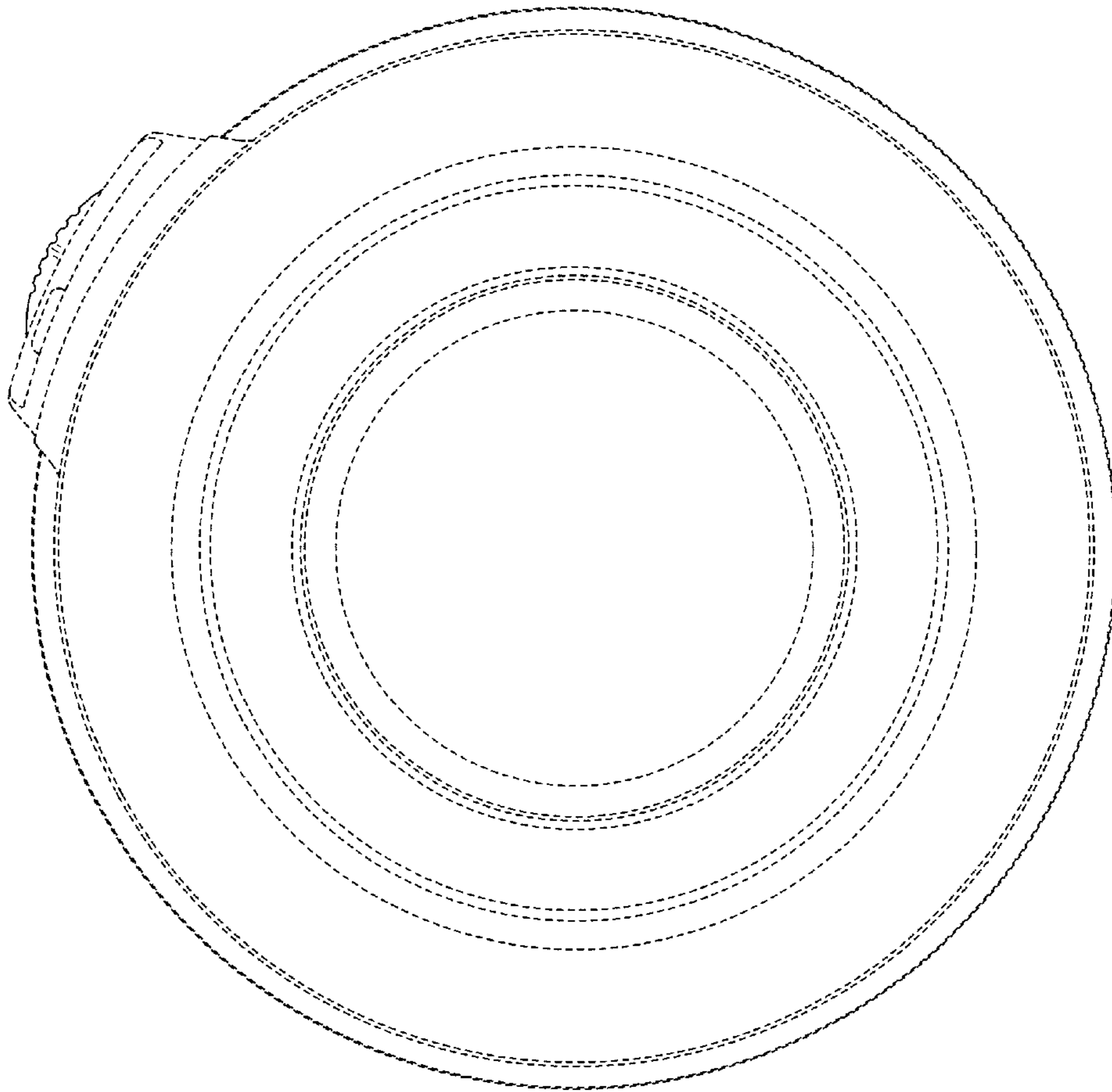
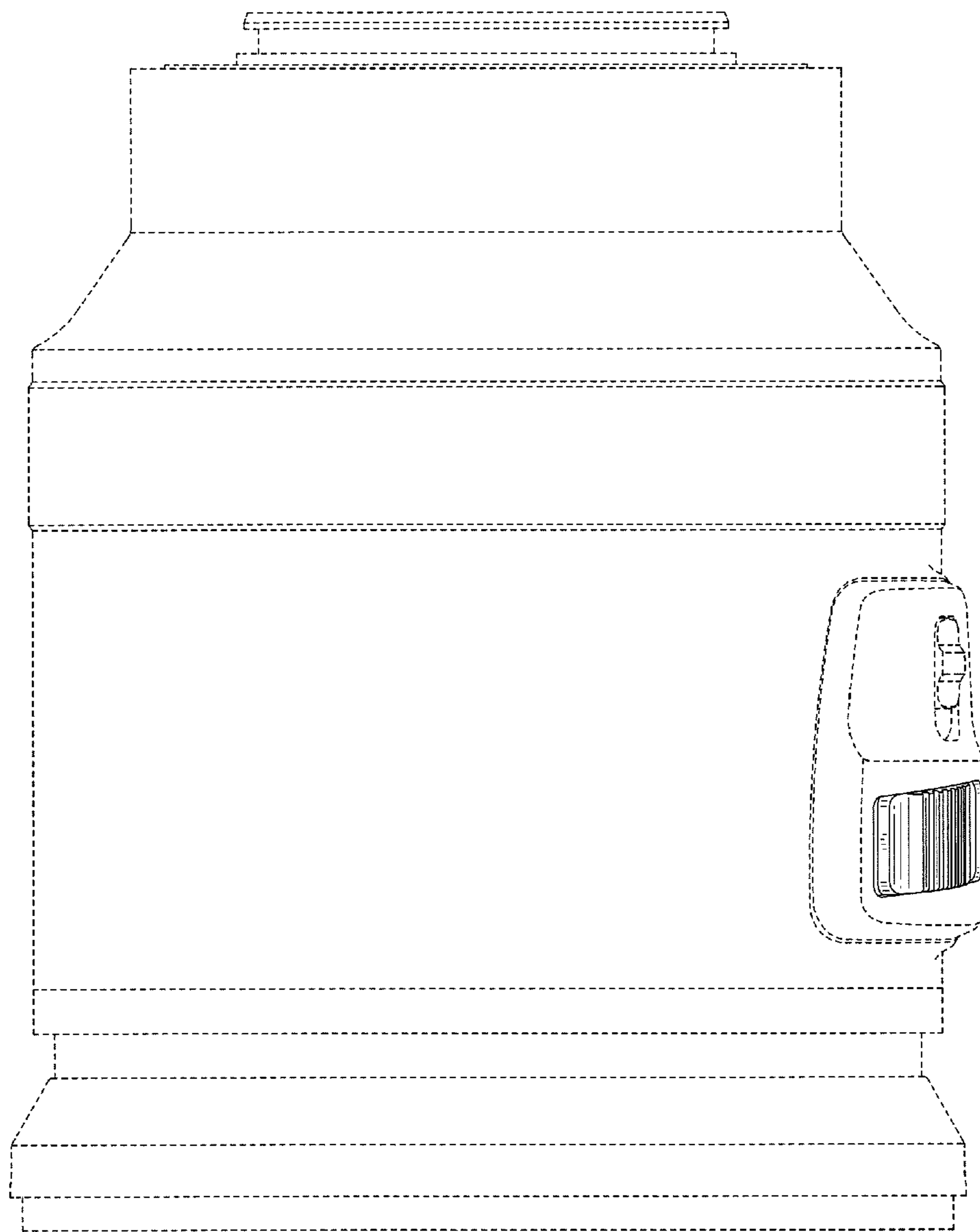


Fig. 4



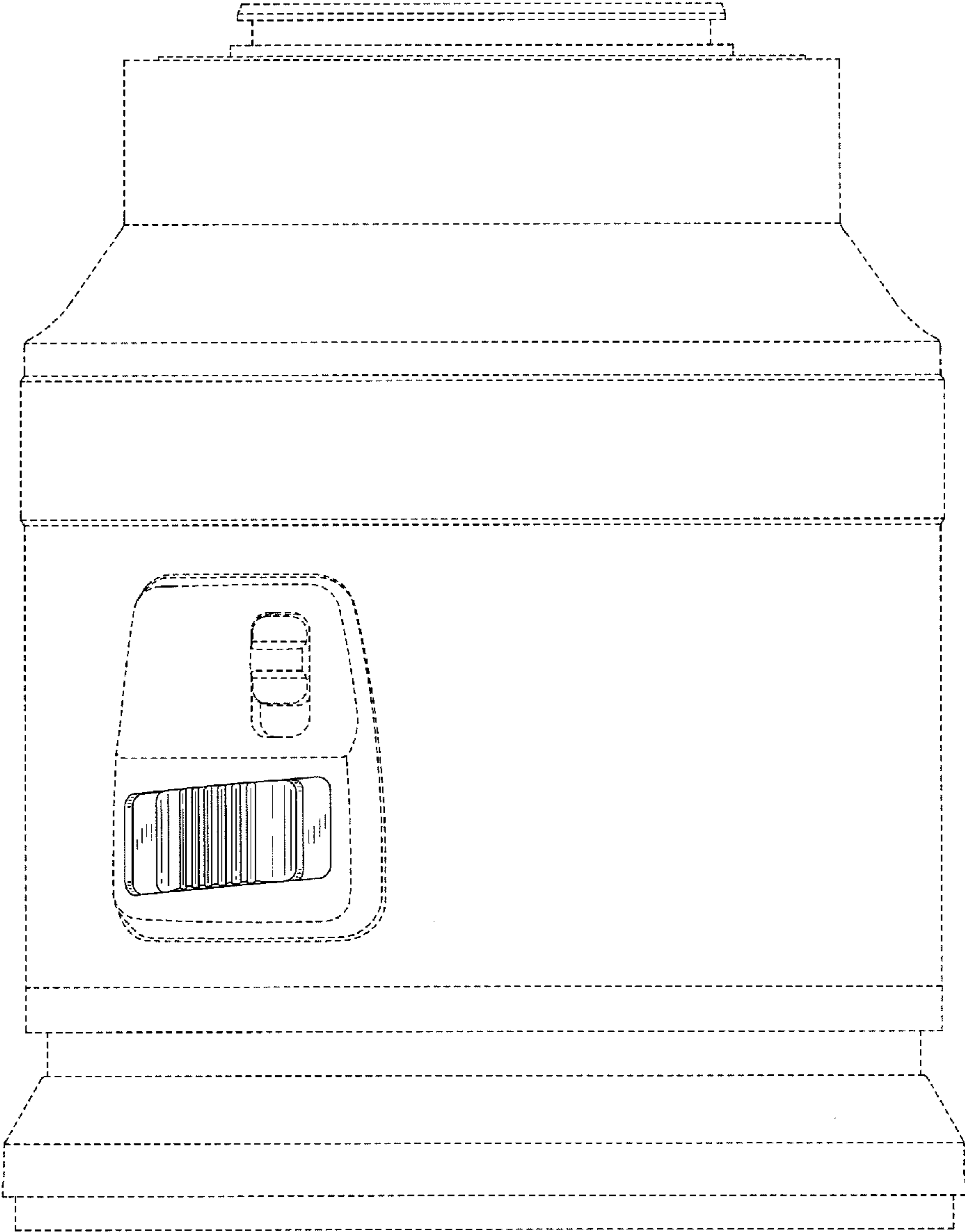


Fig. 5