



US00D671584S

(12) **United States Design Patent**
Ohno

(10) **Patent No.:** **US D671,584 S**

(45) **Date of Patent:** **** Nov. 27, 2012**

(54) **DIGITAL CAMERA**

(75) Inventor: **Akio Ohno**, Fukuoka (JP)

(73) Assignee: **Panasonic Corporation**, Osaka (JP)

(**) Term: **14 Years**

(21) Appl. No.: **29/407,821**

(22) Filed: **Dec. 2, 2011**

(30) **Foreign Application Priority Data**

Oct. 7, 2011 (JP) 2011-023088

(51) **LOC (9) Cl.** **16-01**

(52) **U.S. Cl.** **D16/202; D16/203**

(58) **Field of Classification Search** D16/200–204,
D16/208, 218; 348/373–376; 358/909.1;
396/535–541

See application file for complete search history.

(56) **References Cited**

U.S. PATENT DOCUMENTS

D275,294 S	8/1984	Pagano	
D296,551 S *	7/1988	Mizogui	D16/202
5,612,732 A *	3/1997	Yuyama et al.	348/373
D450,075 S	11/2001	Uehara	
6,415,106 B2 *	7/2002	Hayashi et al.	348/376
D465,504 S	11/2002	Van Klinken	
D491,968 S	6/2004	Isshiki	
D534,196 S	12/2006	Kim et al.	
D542,820 S	5/2007	Depay	
D566,151 S	4/2008	Won et al.	
7,414,668 B2 *	8/2008	Takahashi	348/373

D582,955 S	12/2008	Sekine et al.	
7,471,334 B1 *	12/2008	Stenger	348/373
D616,480 S	5/2010	Ookawa et al.	
D628,224 S *	11/2010	Barley et al.	D16/203
D630,236 S *	1/2011	Lian	D16/203
D636,006 S *	4/2011	Champ	D16/202
D636,007 S *	4/2011	Peng	D16/203
D638,458 S *	5/2011	Miyamori et al.	D16/202
D651,632 S *	1/2012	Kim et al.	D16/202
2007/0115387 A1 *	5/2007	Ho	348/375

* cited by examiner

Primary Examiner — Adir Aronovich

(74) *Attorney, Agent, or Firm* — Brinks Hofer Gilson & Lione

(57) **CLAIM**

I claim the ornamental design for a digital camera, as shown and described.

DESCRIPTION

FIG. 1 is a front and right side perspective view of a digital camera showing my new design;

FIG. 2 is a rear and left side perspective view thereof;

FIG. 3 is a front elevational view thereof;

FIG. 4 is a rear elevational view thereof;

FIG. 5 is left side elevational view thereof;

FIG. 6 is a right side elevational view thereof;

FIG. 7 is a top plan view thereof; and,

FIG. 8 is a bottom plan view thereof.

The broken lines shown represent unclaimed subject matter and form no part of the claimed design.

1 Claim, 8 Drawing Sheets

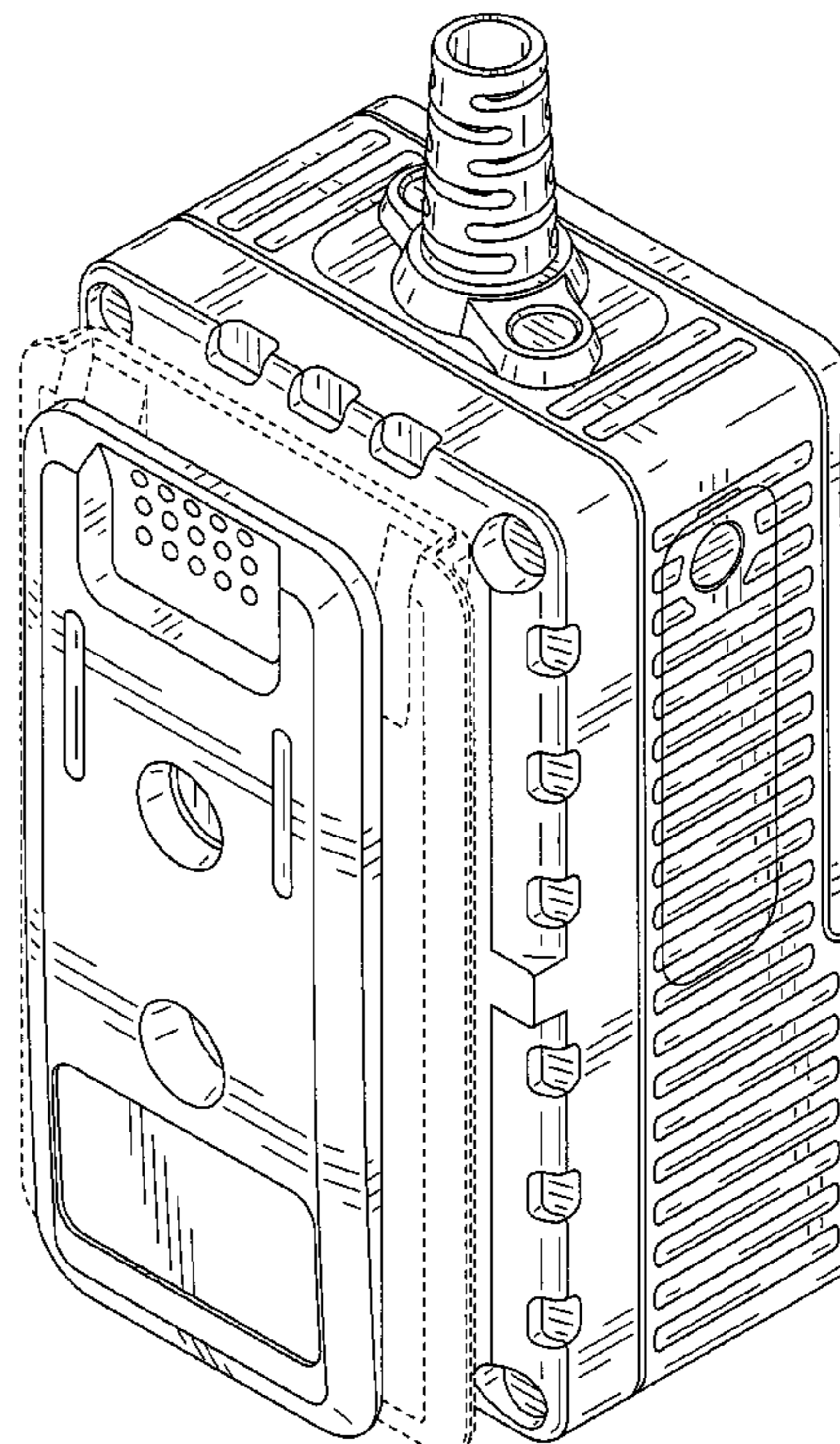
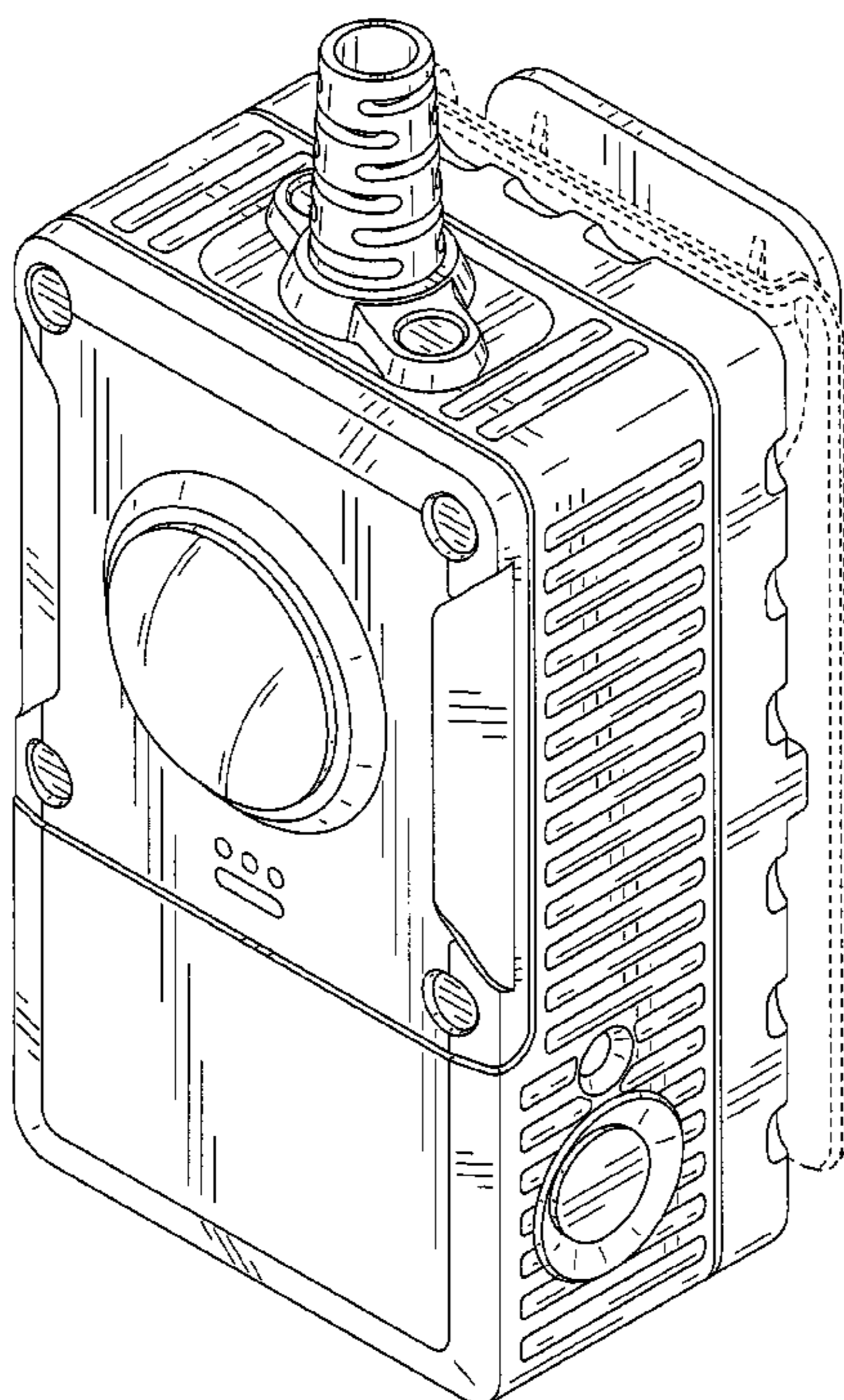


FIG.1

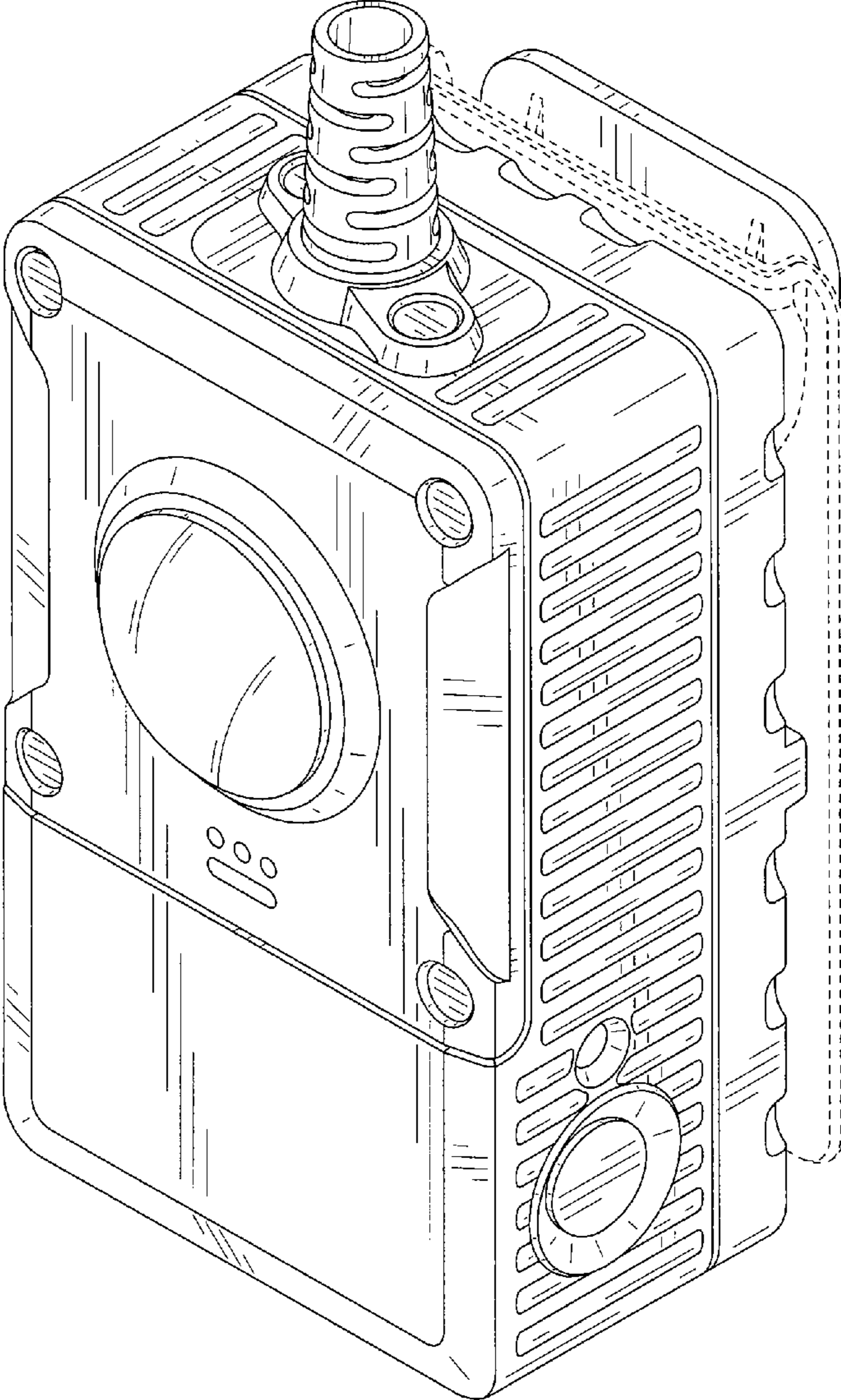


FIG.2

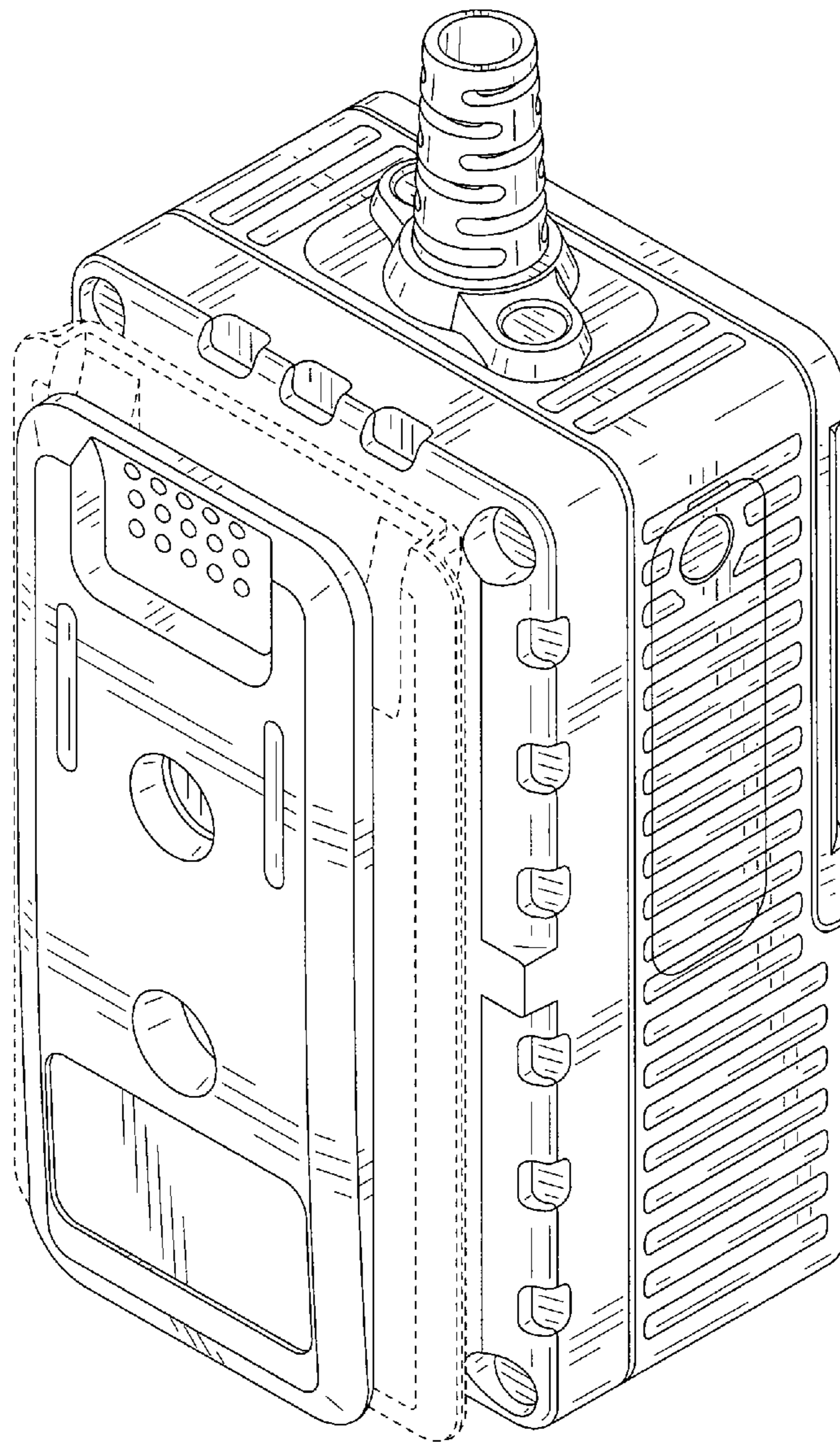


FIG.3

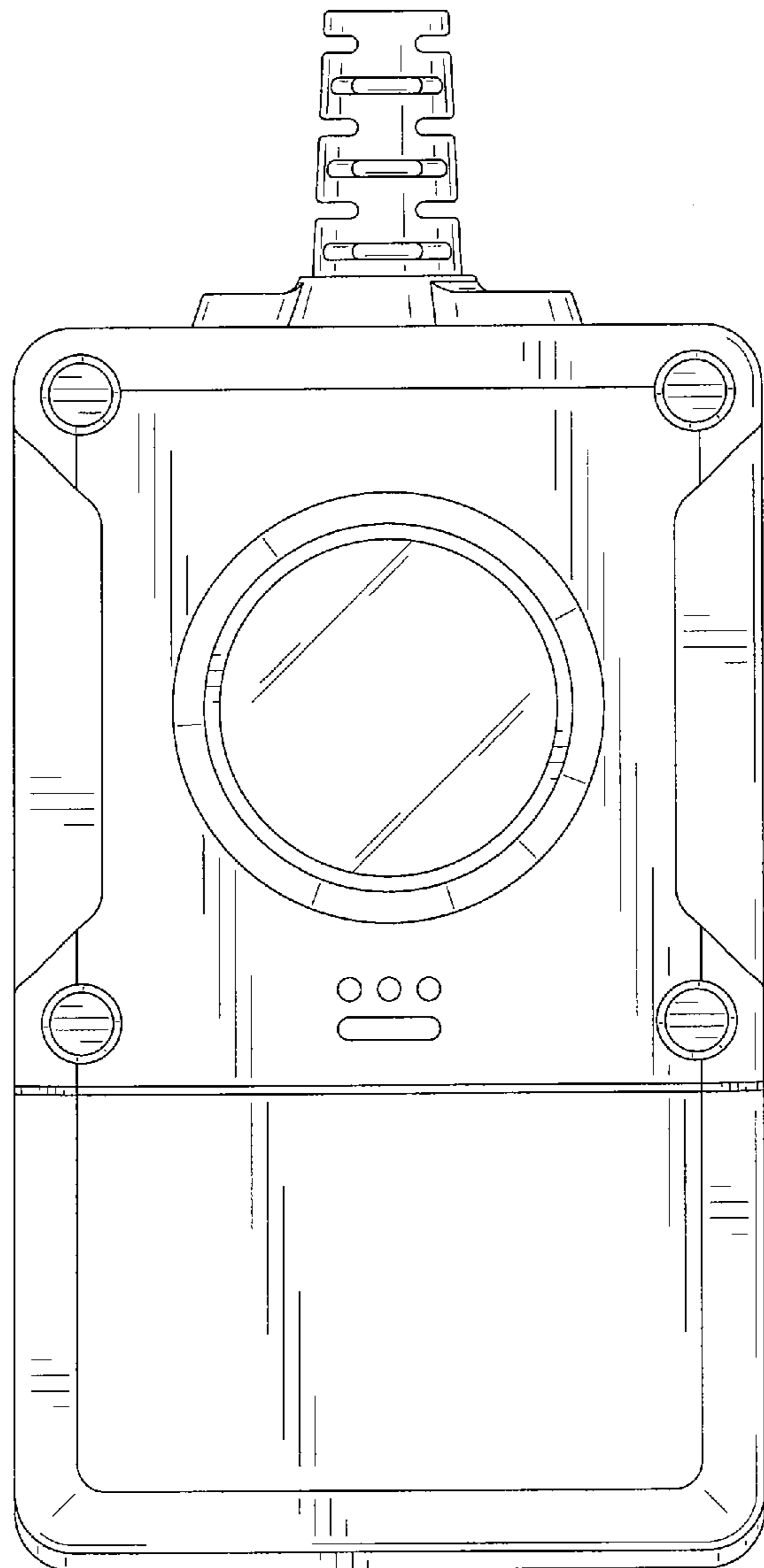


FIG.4

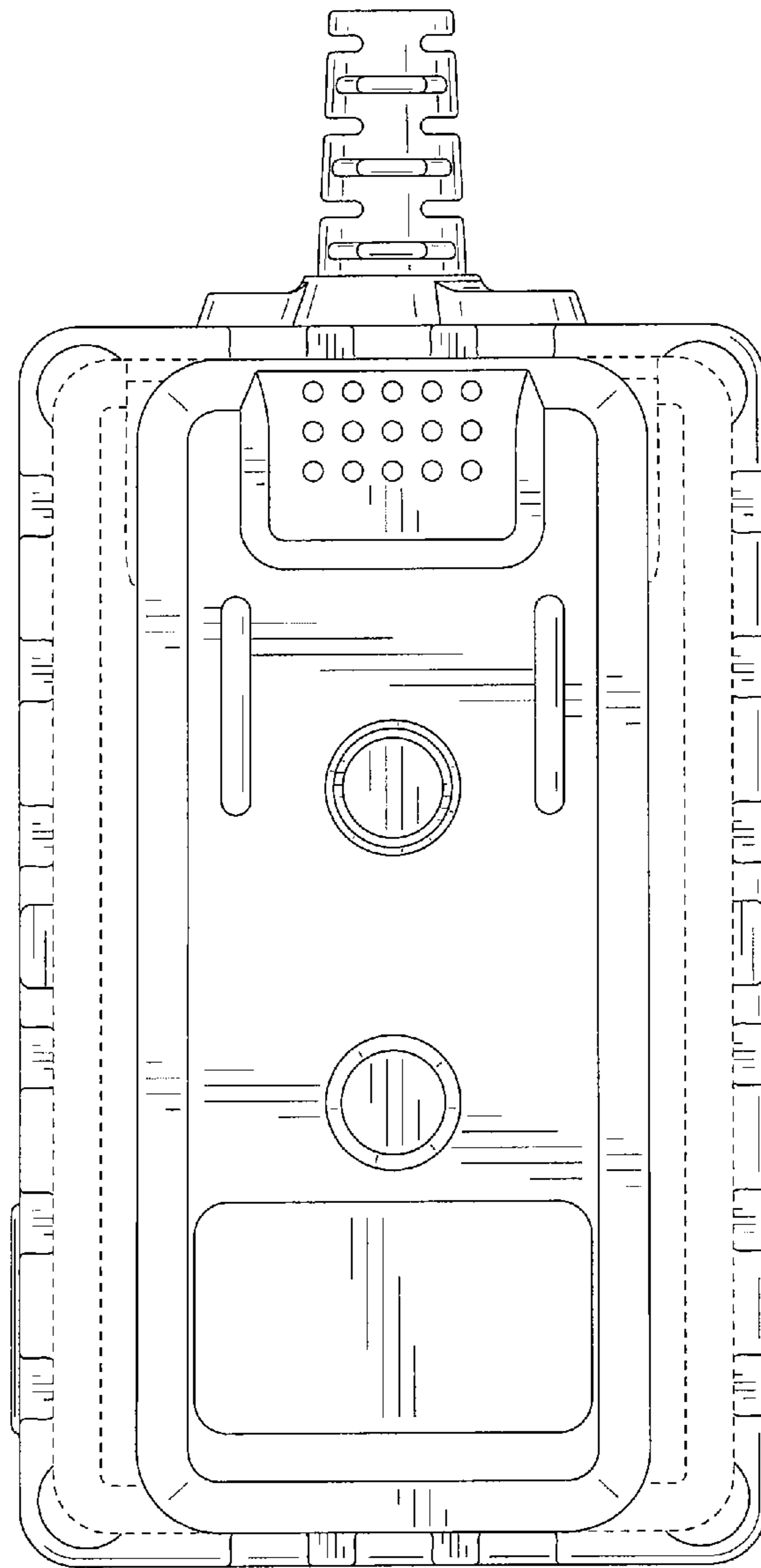


FIG.5

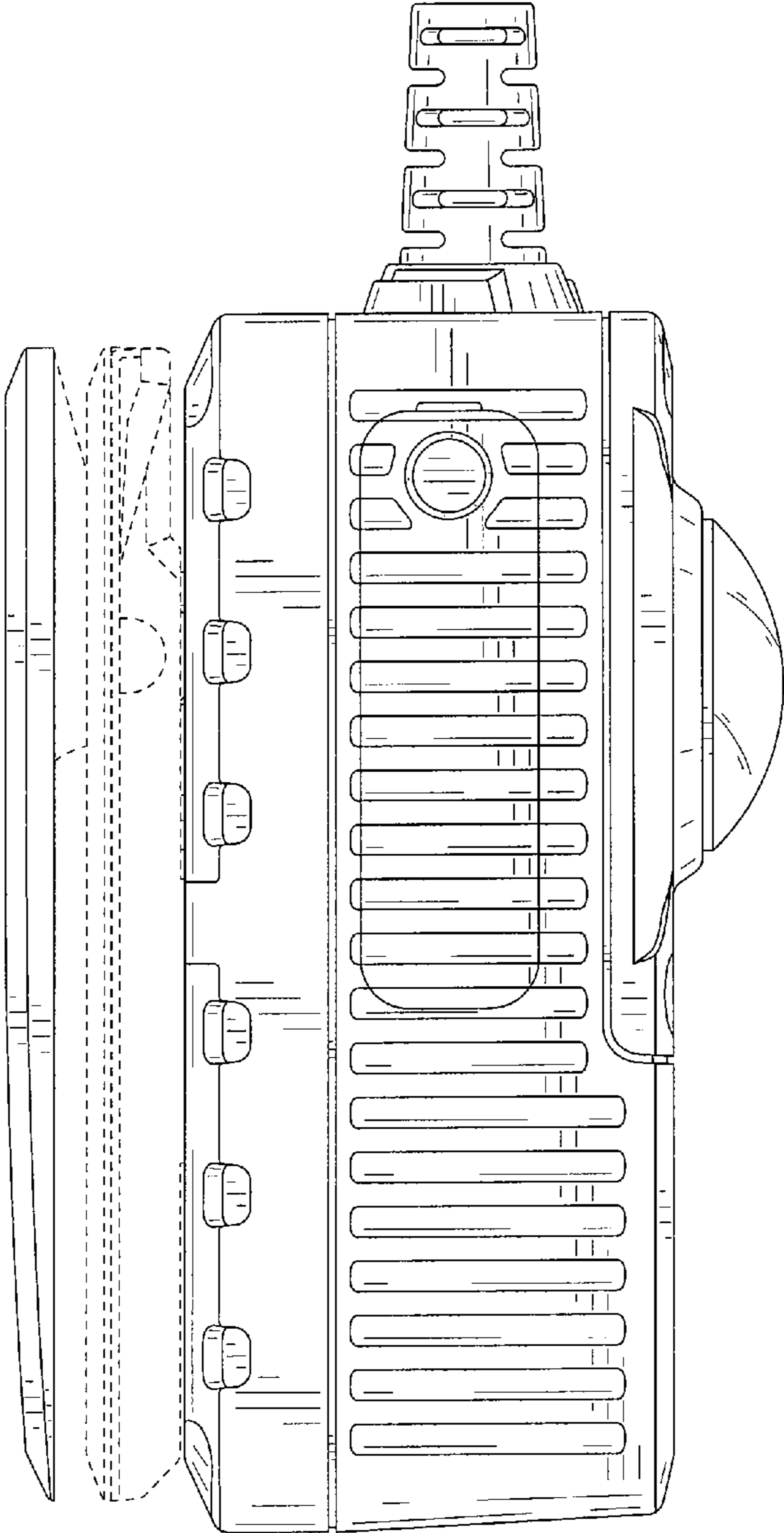


FIG.6

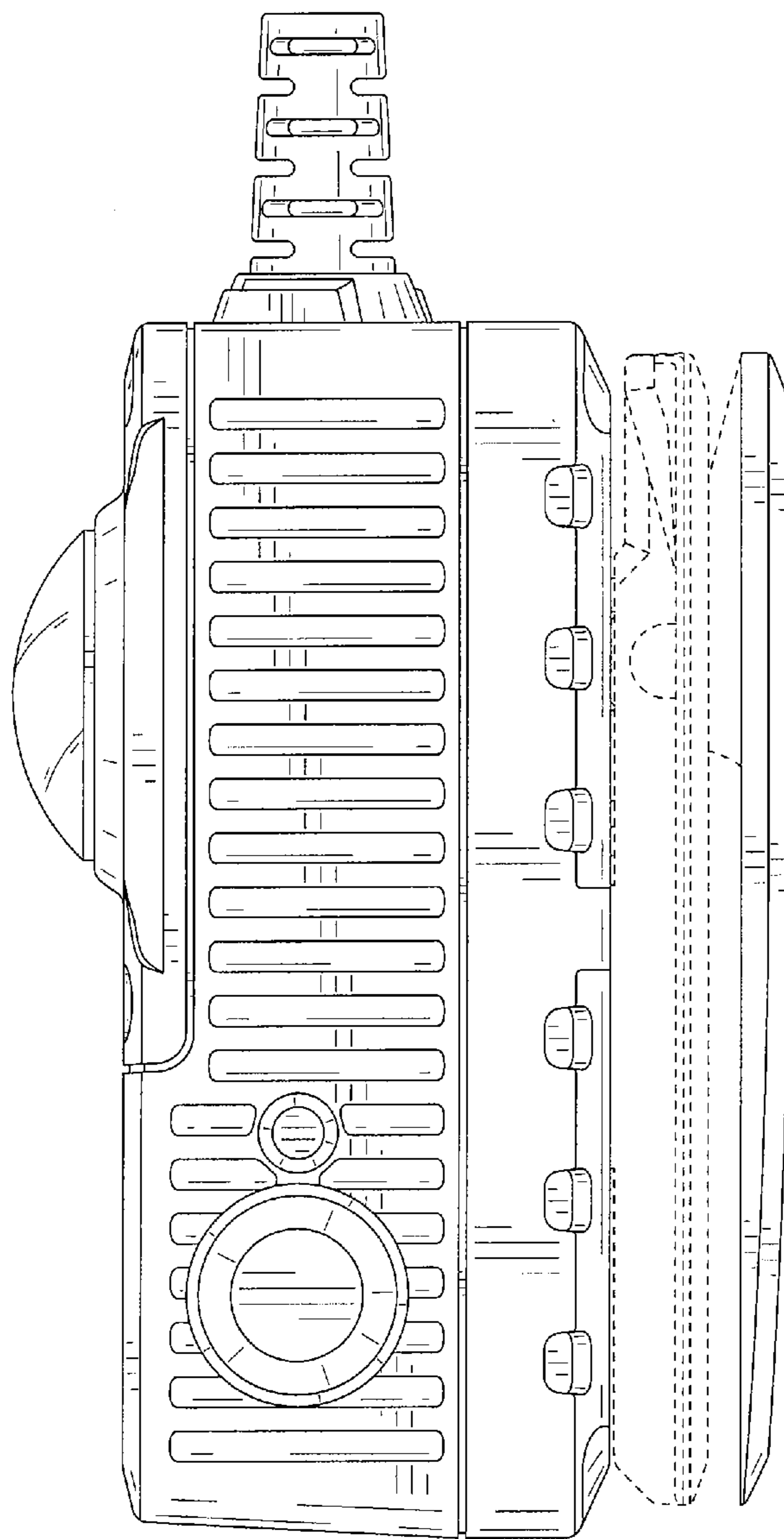


FIG. 7

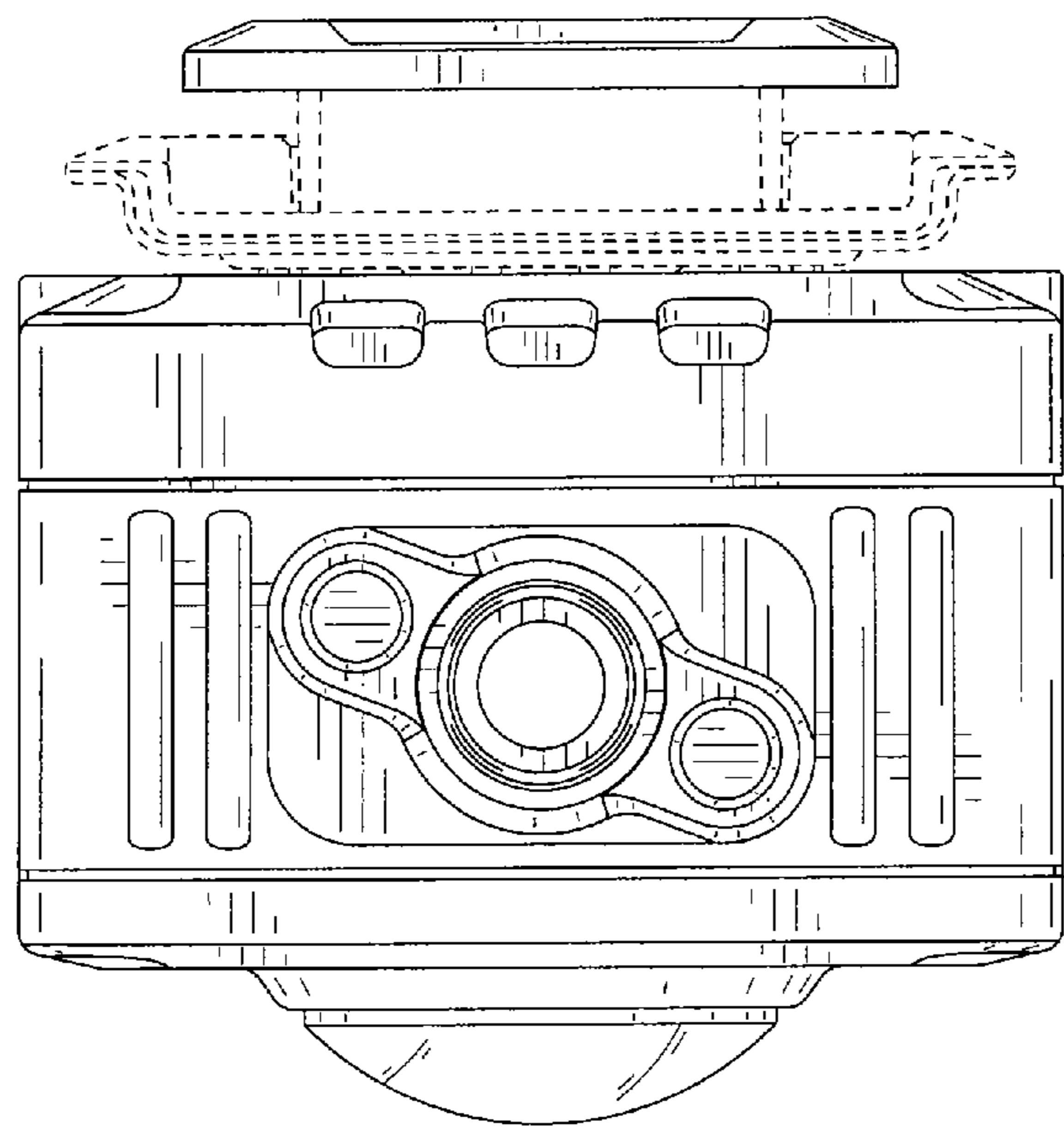


FIG.8

