



US00D671579S

(12) **United States Design Patent**
Lein et al.

(10) **Patent No.:** **US D671,579 S**

(45) **Date of Patent:** **** Nov. 27, 2012**

(54) **HEATED LABEL TONGS**

(75) Inventors: **Börge Lein**, Sjetnemarka (NO); **Nicolas Santamarta**, Sjetnemarka (NO)

(73) Assignee: **NiboTech AS**, Sjetnemarka (NO)

(**) Term: **14 Years**

(21) Appl. No.: **29/405,704**

(22) Filed: **Nov. 4, 2011**

(51) **LOC (9) Cl.** **15-09**

(52) **U.S. Cl.** **D15/144**

(58) **Field of Classification Search** D7/680–696;
D15/144, 144.1, 144.2, 145; D18/19, 35;
D20/43; 156/541; 219/86.33; 428/42.3
See application file for complete search history.

(56) **References Cited**

U.S. PATENT DOCUMENTS

D313,537 S *	1/1991	Chisholm	D7/686
D510,845 S *	10/2005	Holcomb et al.	D7/688
D515,738 S *	2/2006	Grassi	D28/35
D518,687 S *	4/2006	Baker et al.	D7/686

D538,977 S *	3/2007	Shin	D28/35
D610,883 S *	3/2010	Blacken	D7/686
2007/0119822 A1 *	5/2007	Schmitt-Walter	219/86.33
2009/0250956 A1 *	10/2009	Resnick	294/1.1
2010/0186902 A1 *	7/2010	Baumbusch	156/541

* cited by examiner

Primary Examiner — Patricia Palasik

(74) *Attorney, Agent, or Firm* — Fredrikson & Byron, P.A.

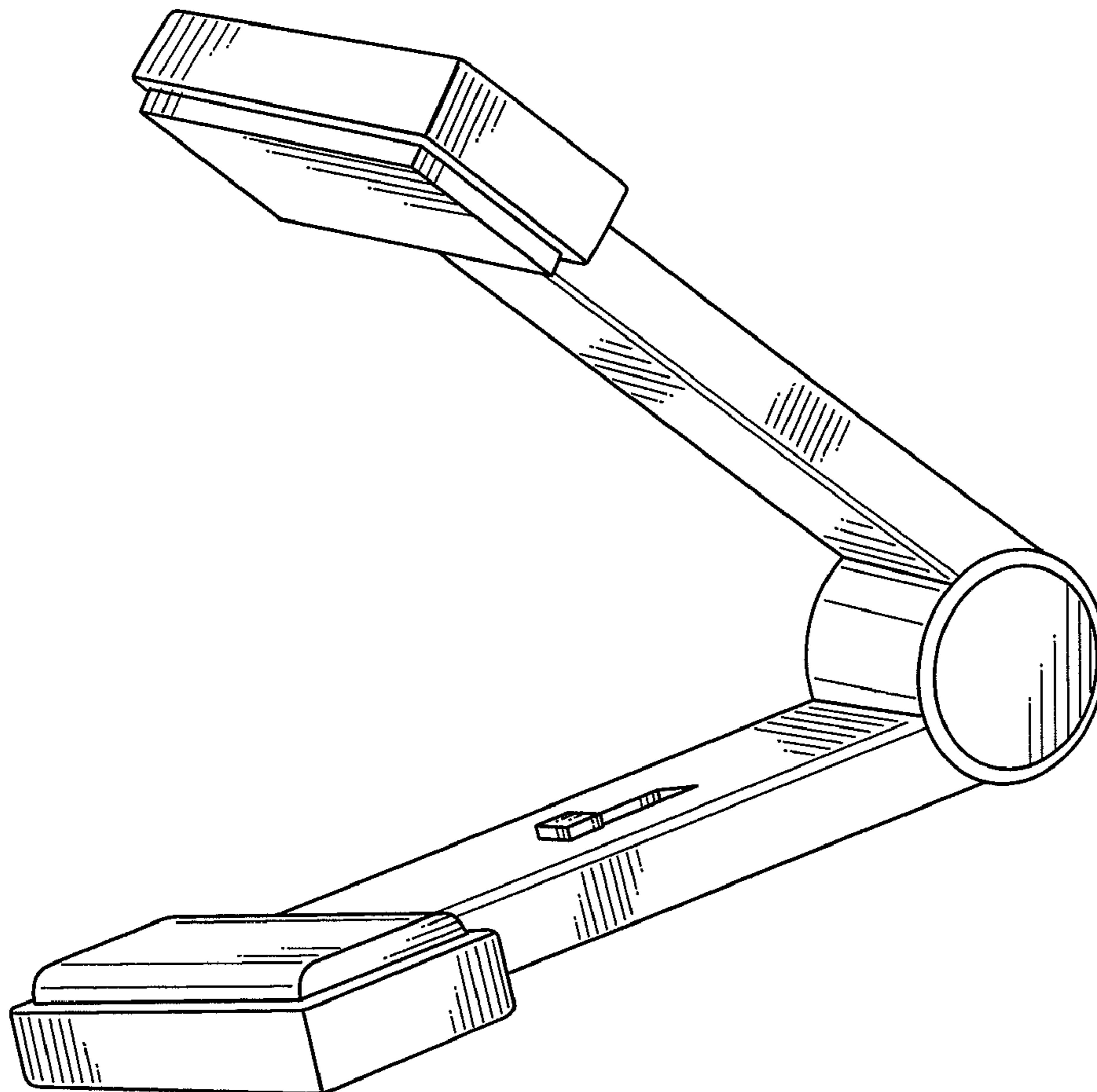
(57) **CLAIM**

We claim the ornamental design for a heated label tongs, as shown and described.

DESCRIPTION

FIG. 1 is a perspective view of a heated label tongs incorporating our new design;
FIG. 2 is a side elevational view thereof, the other side elevational view being a mirror image of that shown;
FIG. 3 is a front elevational view thereof,
FIG. 4 is a rear elevational view thereof; and,
FIG. 5 is a top elevational view thereof, the bottom elevational view being a mirror image of that shown.

1 Claim, 3 Drawing Sheets



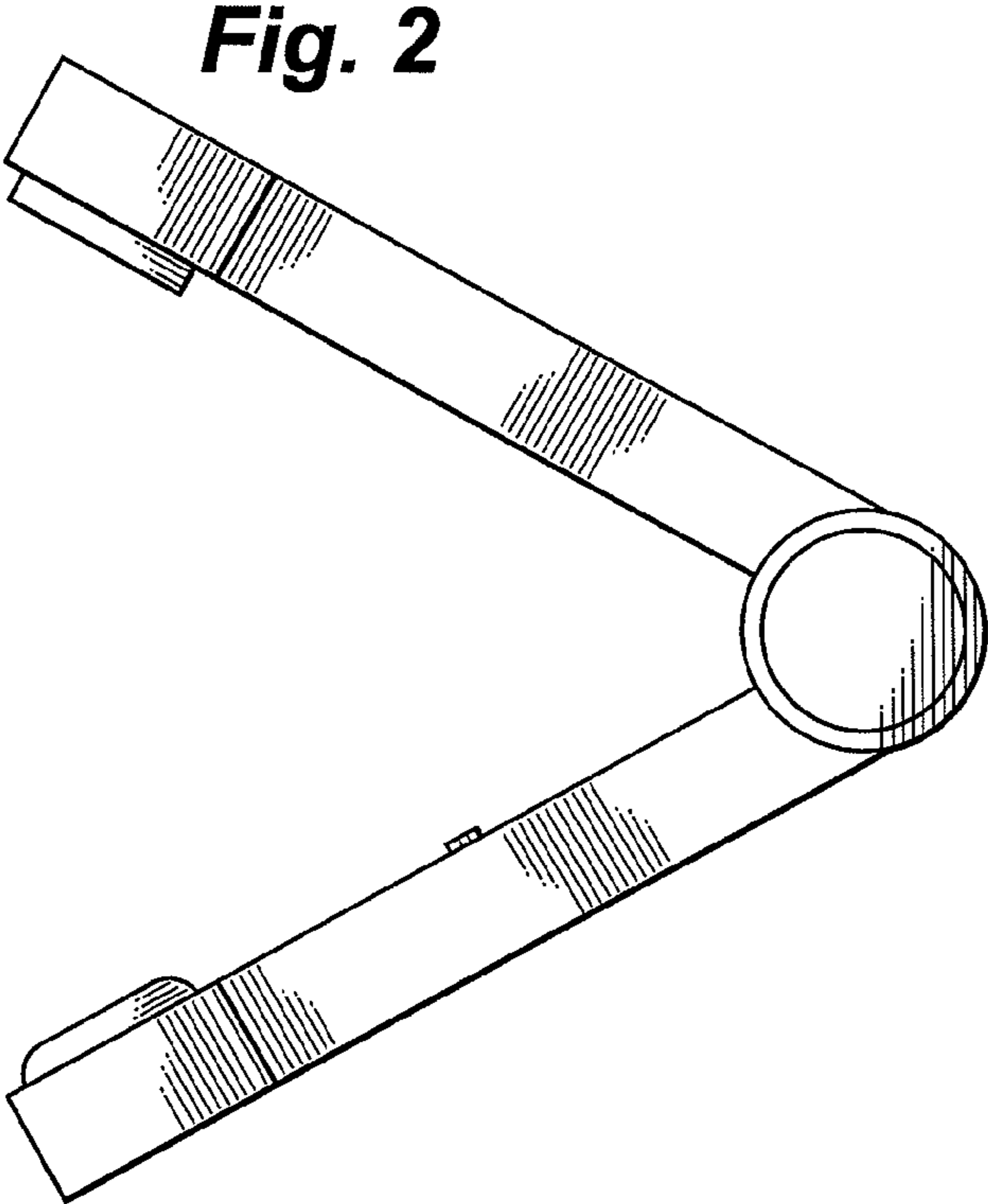
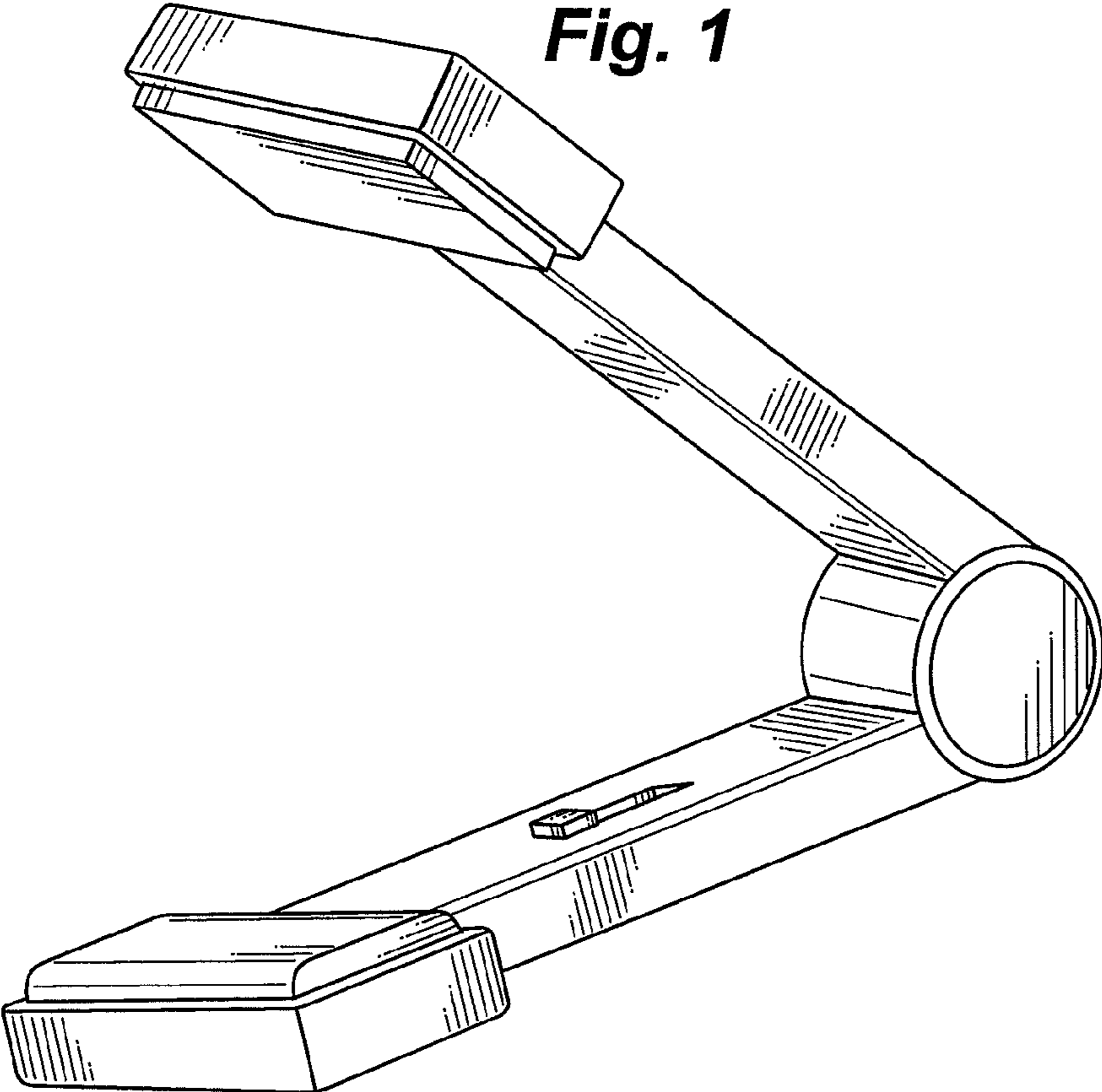


Fig. 3

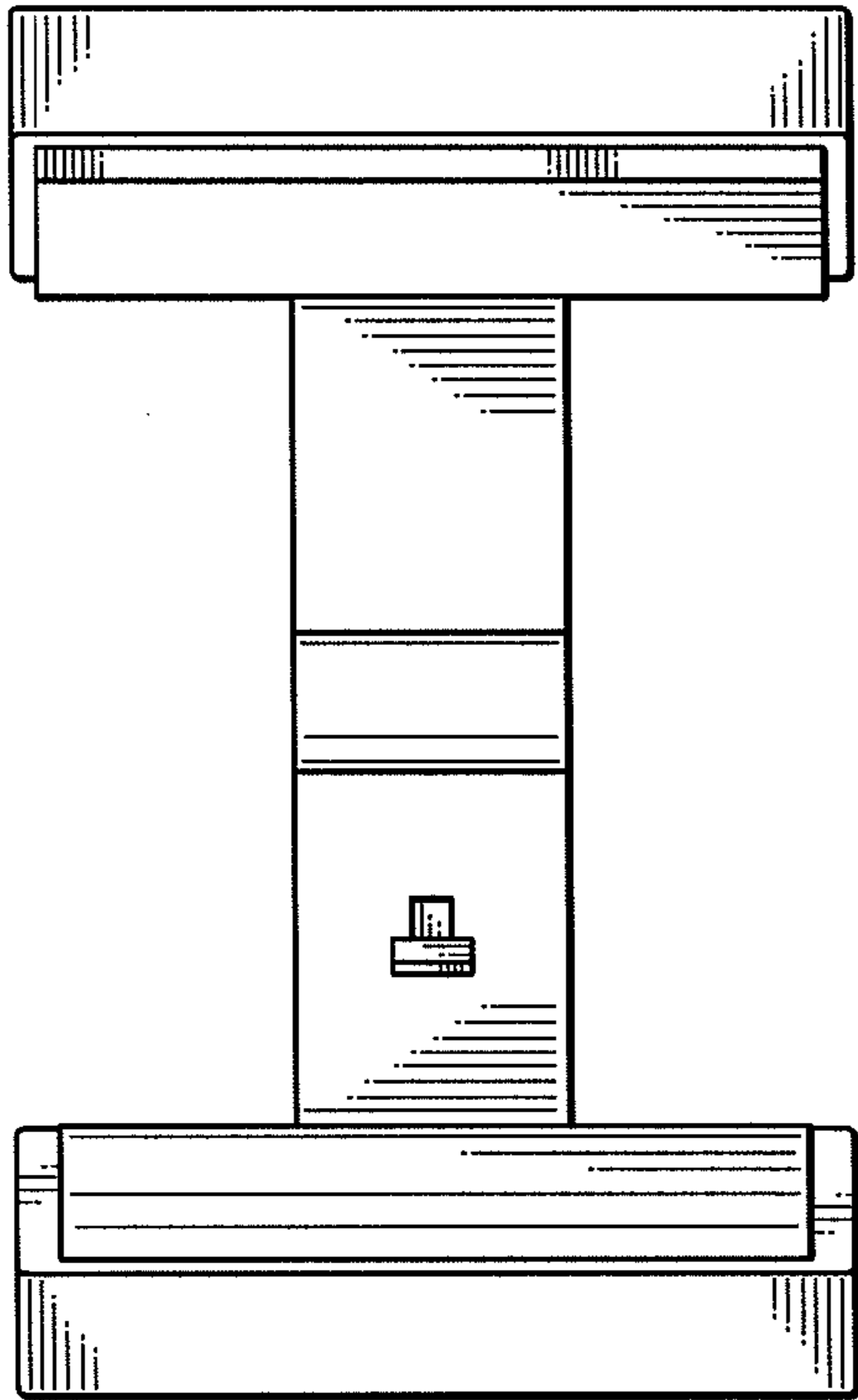


Fig. 4

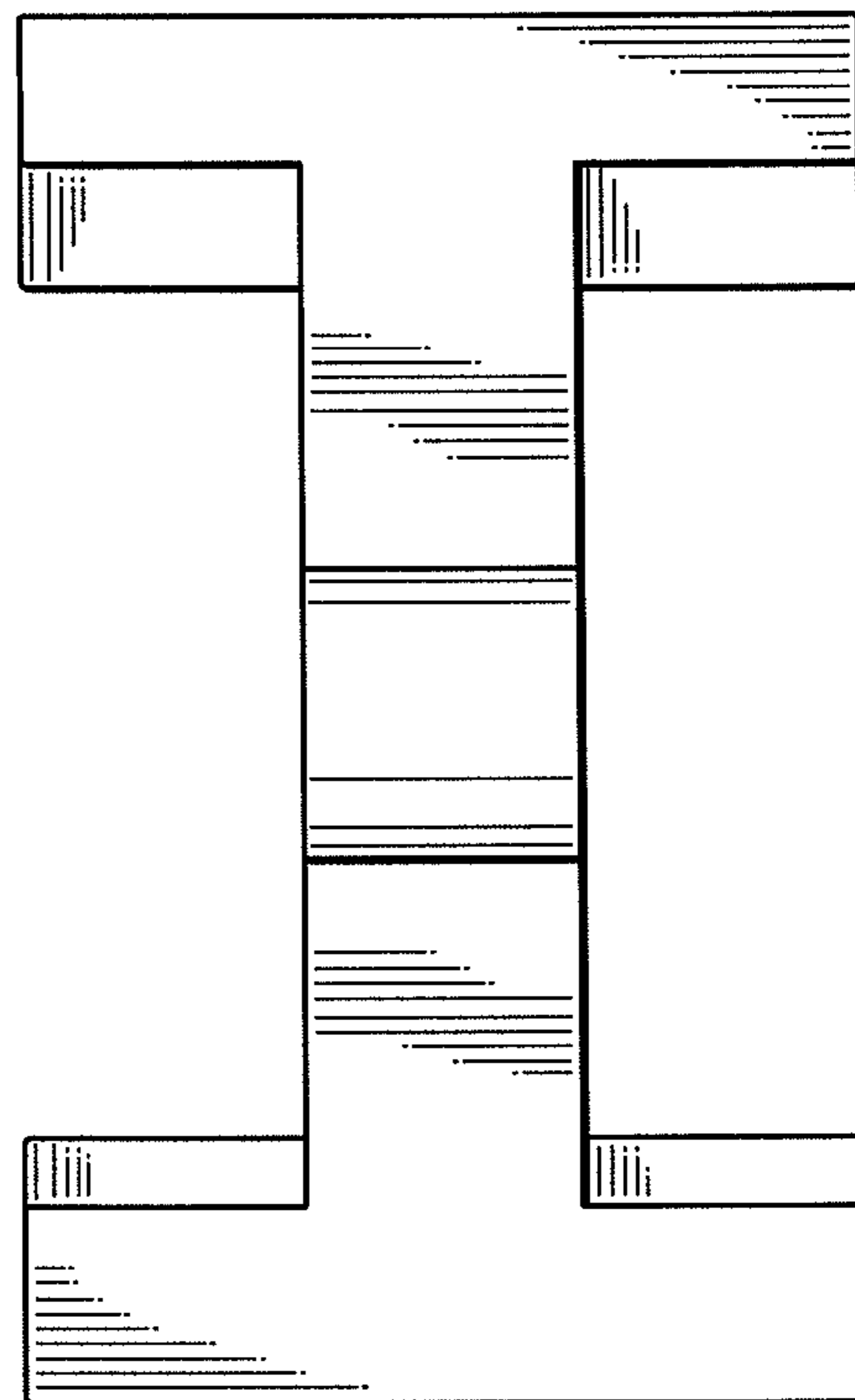
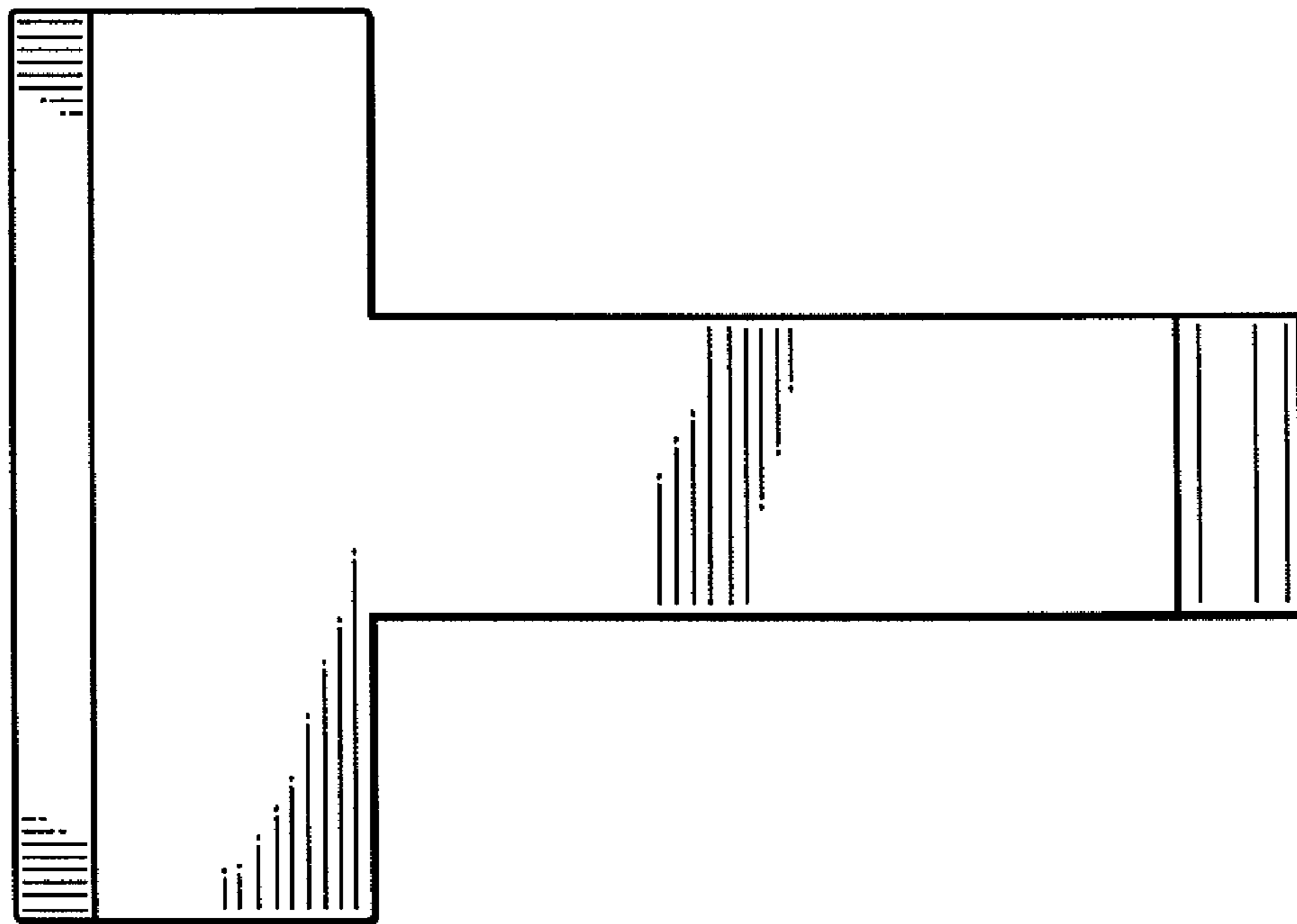


Fig. 5



UNITED STATES PATENT AND TRADEMARK OFFICE
CERTIFICATE OF CORRECTION

PATENT NO. : D671,579 S
APPLICATION NO. : 29/405704
DATED : November 27, 2012
INVENTOR(S) : Lein et al.

Page 1 of 1

It is certified that error appears in the above-identified patent and that said Letters Patent is hereby corrected as shown below:

The Issued Patent is missing the Foreign Application Priority Data.

May 6, 2011 (Word Intellectual Property Organization) DM/076 045

Signed and Sealed this
Nineteenth Day of March, 2013



Teresa Stanek Rea
Acting Director of the United States Patent and Trademark Office