



US00D671577S

(12) **United States Design Patent**  
**Ives et al.**

(10) **Patent No.:** **US D671,577 S**

(45) **Date of Patent:** **\*\* Nov. 27, 2012**

(54) **DRYER SIPHON DEVICE**

(75) Inventors: **Alan T. Ives**, Marcellus, MI (US);  
**Gregory L Wedel**, Kalamazoo, MI (US)

(73) Assignee: **Kadant Inc.**, Three Rivers, MI (US)

(\*\*) Term: **14 Years**

(21) Appl. No.: **29/372,411**

(22) Filed: **Nov. 16, 2010**

**Related U.S. Application Data**

(63) Continuation-in-part of application No. 12/150,429,  
filed on Apr. 28, 2008, now Pat. No. 8,082,680.

(51) **LOC (9) Cl.** ..... **15-09**

(52) **U.S. Cl.** ..... **D15/138**

(58) **Field of Classification Search** ..... D15/138,  
D15/140, 141, 199; D23/259, 262; D32/8,  
D32/25, 26; 34/41, 75, 79, 119, 124, 125,  
34/471; 62/196.3; 95/123; 96/127; 162/272,  
162/375; 165/89, 90, 91; 285/121.5; 492/46  
See application file for complete search history.

(56) **References Cited**

**U.S. PATENT DOCUMENTS**

3,967,386 A \* 7/1976 Asfura ..... 34/124  
4,498,249 A 2/1985 Cooke et al.

4,501,075 A 2/1985 Jenkner et al.  
4,516,334 A \* 5/1985 Wanke ..... 34/124  
4,606,136 A \* 8/1986 Pflug ..... 34/125  
4,691,452 A \* 9/1987 Ferguson ..... 34/119  
5,230,169 A 7/1993 Jaatinen et al.  
D342,957 S \* 1/1994 George ..... D15/199  
5,533,569 A 7/1996 Reibel et al.  
7,018,513 B2 \* 3/2006 Smith ..... 162/375  
D616,533 S \* 5/2010 Bowman et al. .... D23/262  
D629,078 S \* 12/2010 Dole et al. .... D23/262  
2004/0182534 A1 \* 9/2004 Smith ..... 162/272

\* cited by examiner

*Primary Examiner* — Patricia Palasik

(74) *Attorney, Agent, or Firm* — David J. Archer

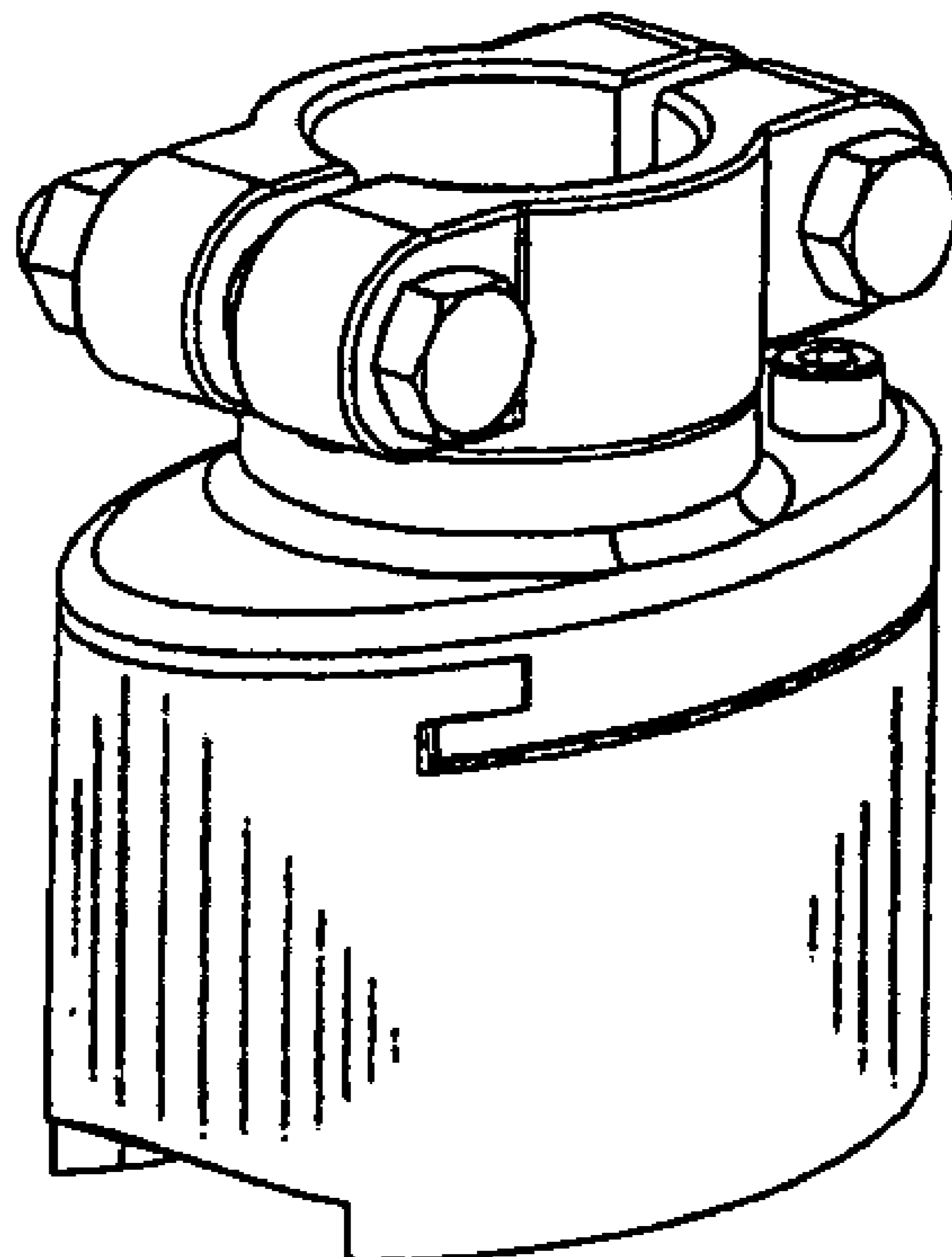
(57) **CLAIM**

The ornamental design for a dryer syphon device, as shown  
and described.

**DESCRIPTION**

FIG. 1 is top, front and left side perspective view of a dryer  
syphon device showing our new design;  
FIG. 2 is a top plan view thereof;  
FIG. 3 is a front elevational view thereof;  
FIG. 4 is a left side elevational view thereof;  
FIG. 5 is a rear elevational view thereof;  
FIG. 6 is a right side elevational view thereof; and,  
FIG. 7 is a bottom plan view thereof.

**1 Claim, 2 Drawing Sheets**



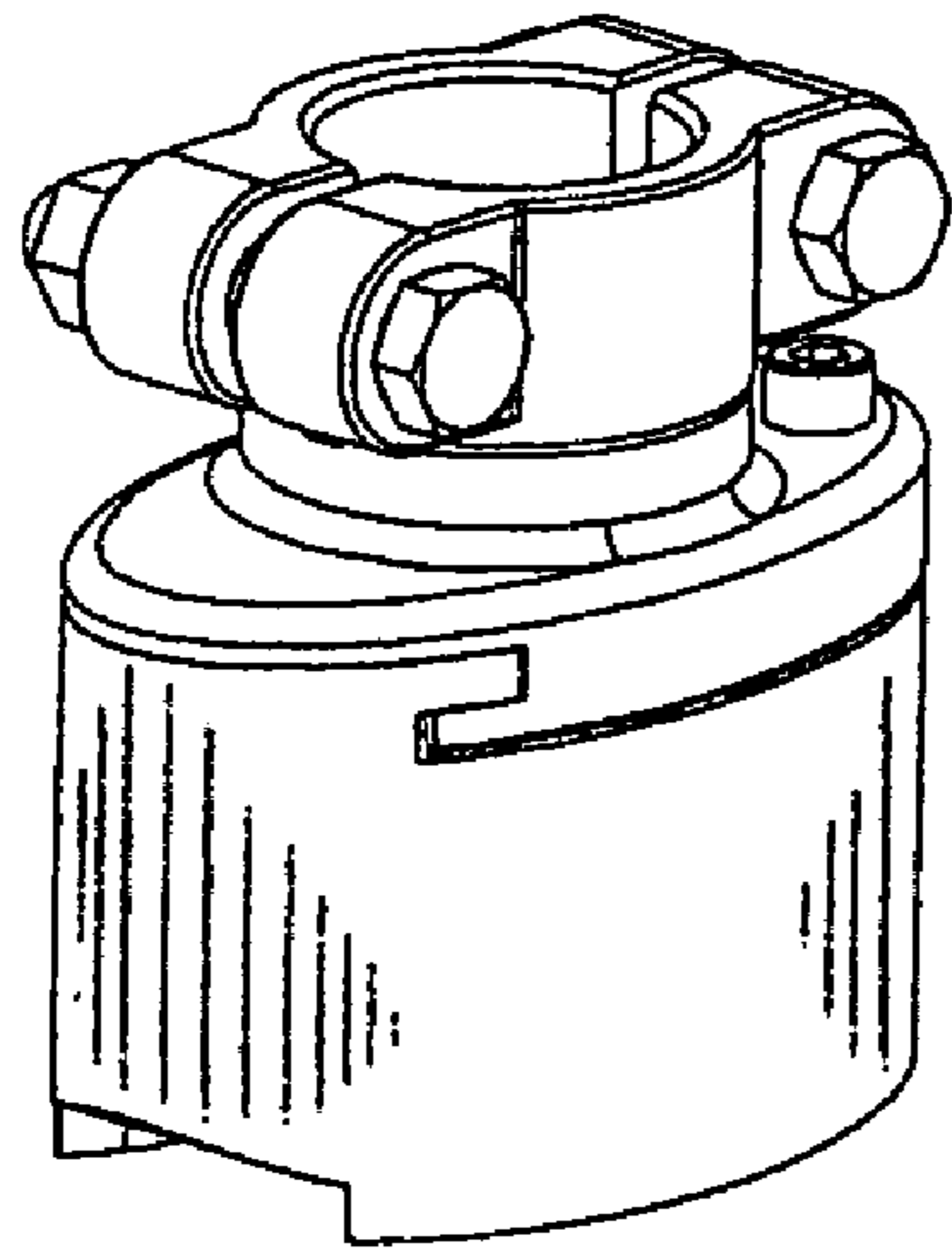


FIG. 1

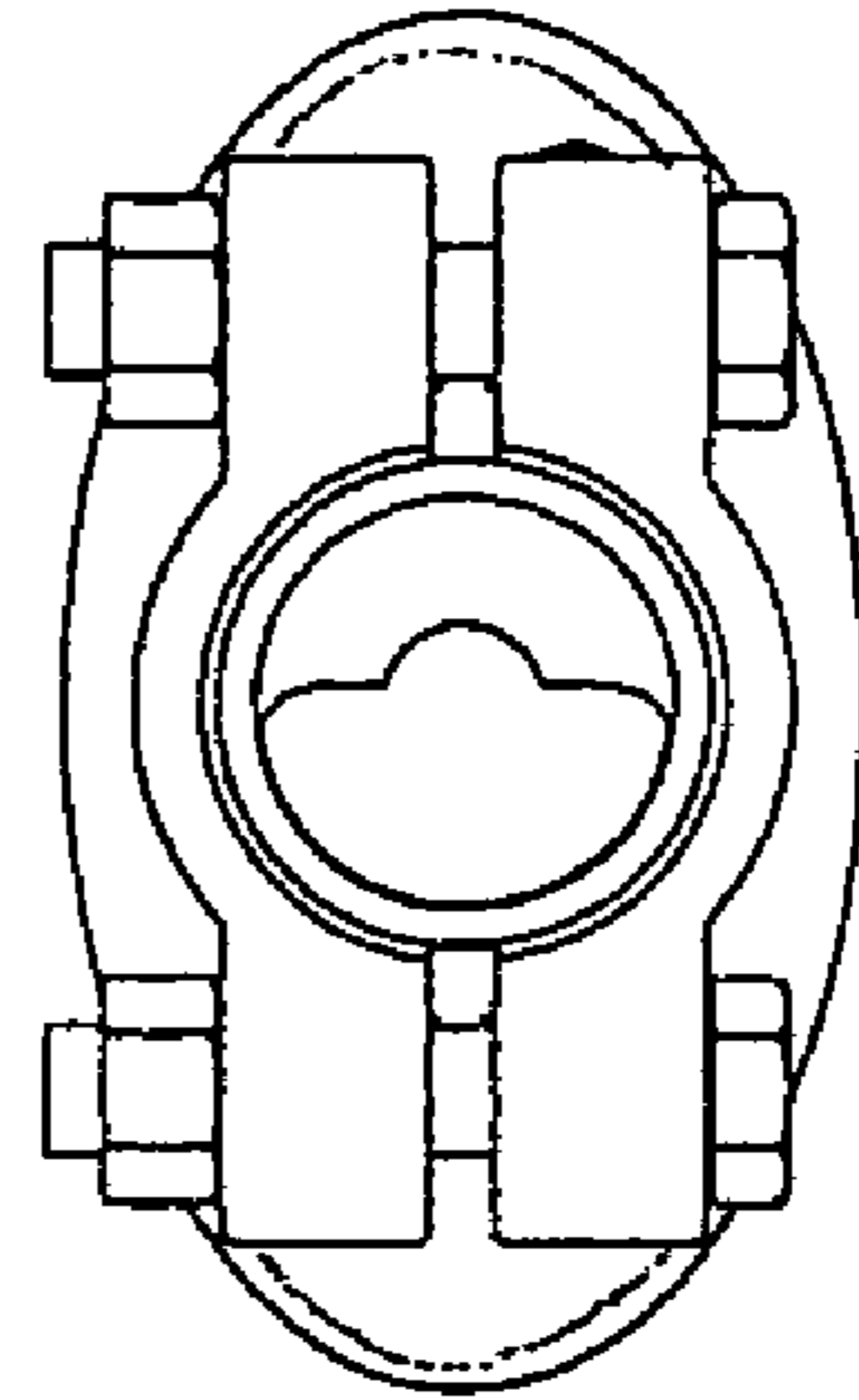


FIG. 2

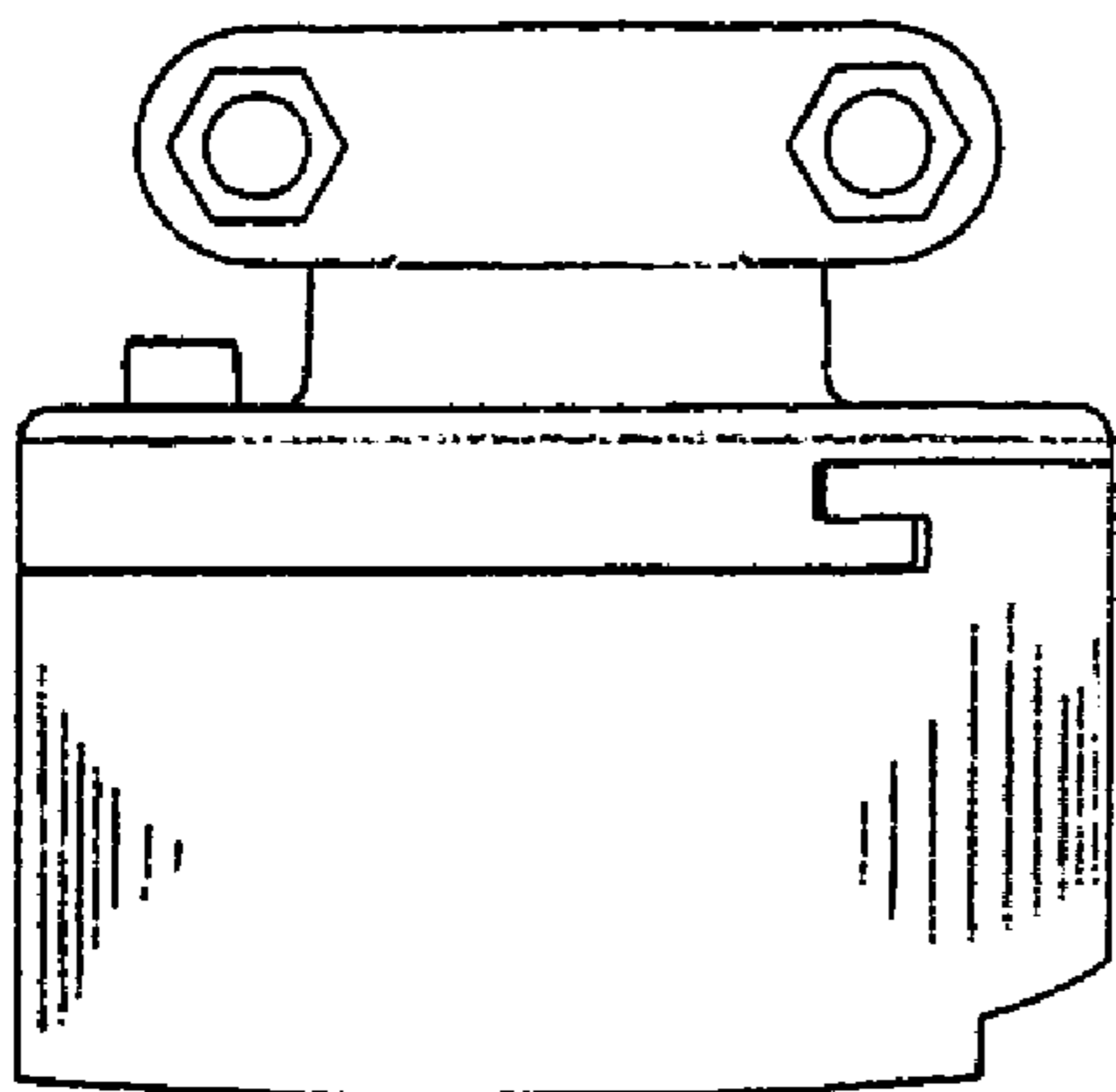


FIG. 3

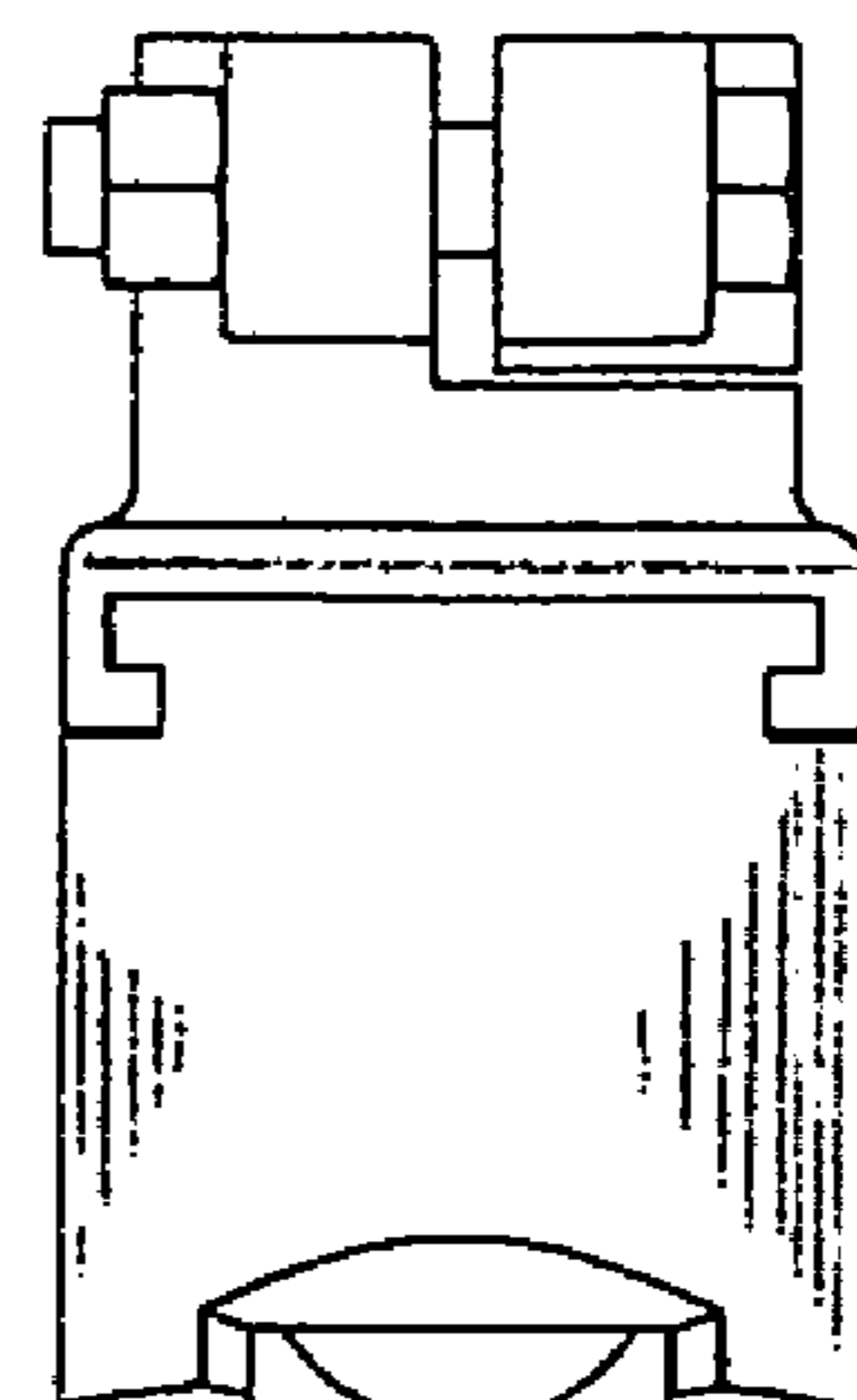


FIG. 4

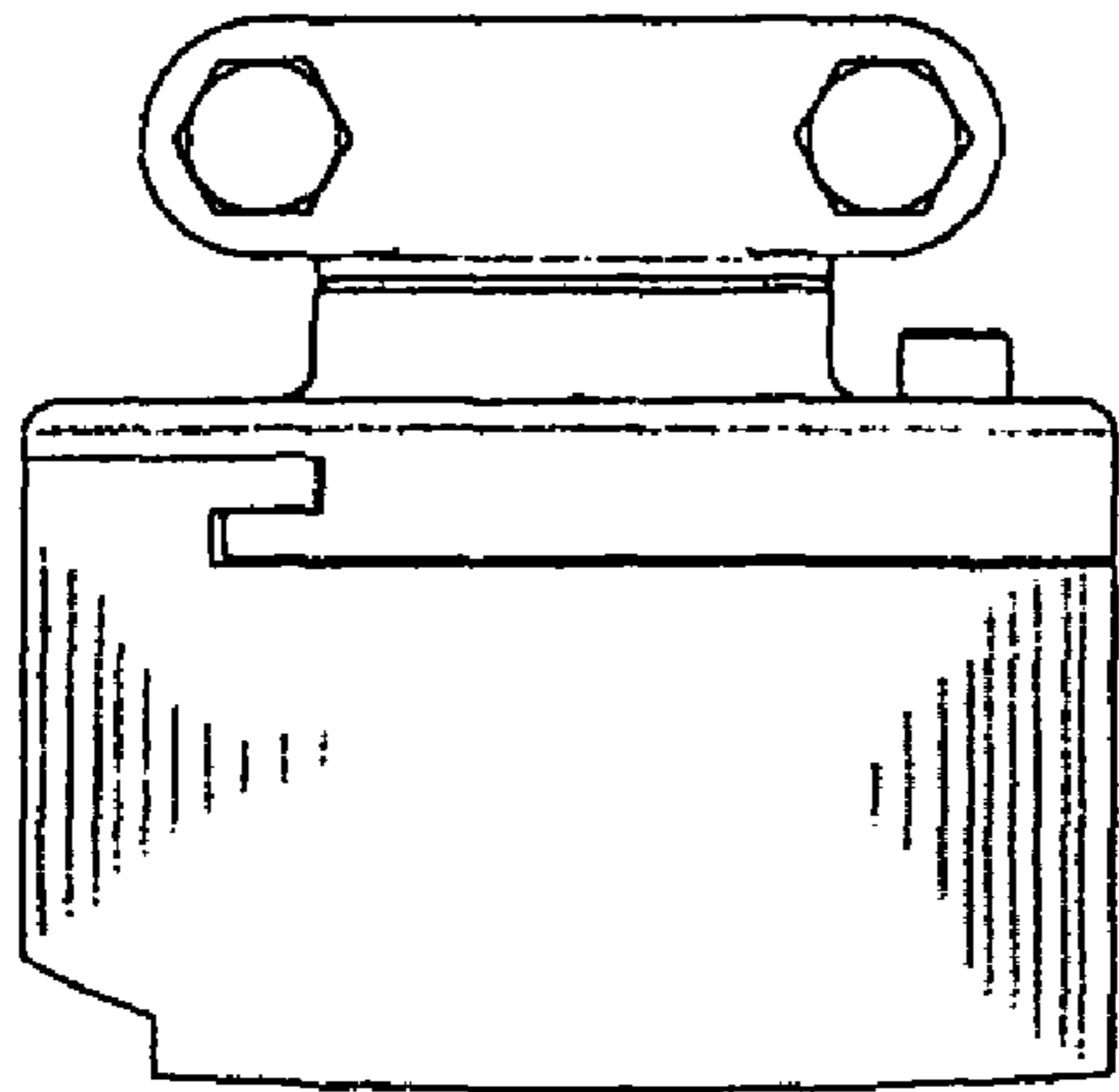


FIG. 5

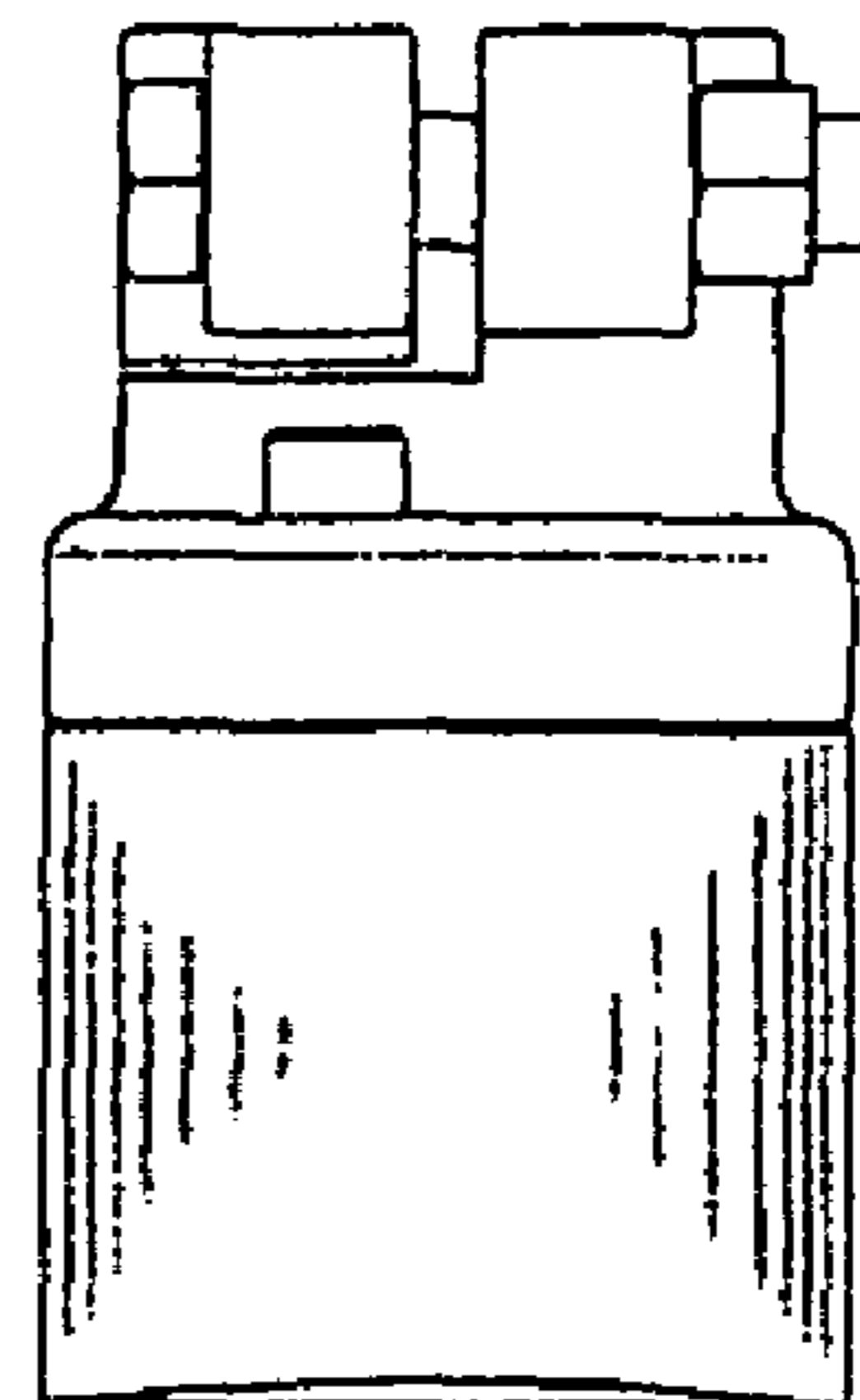


FIG. 6

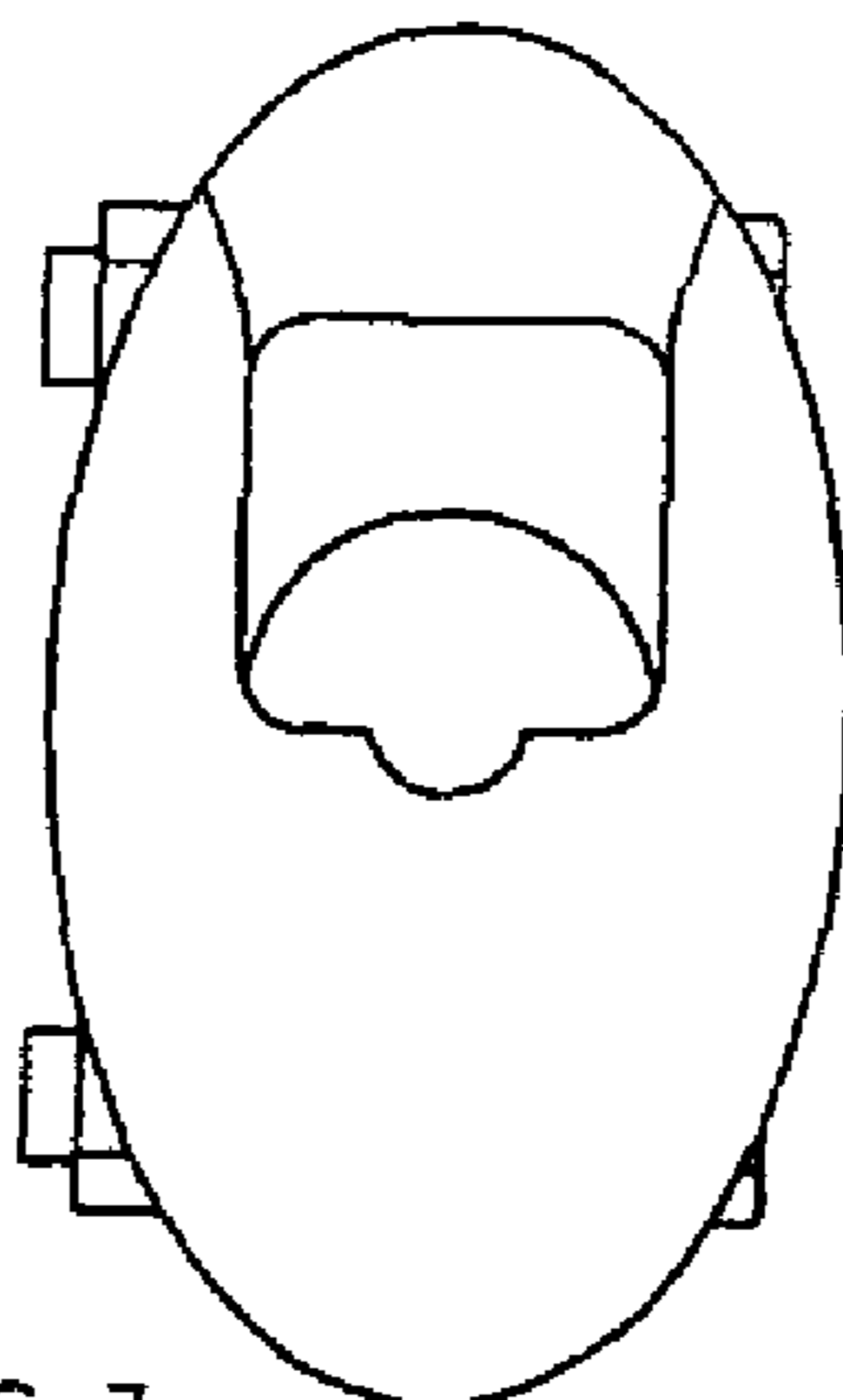


FIG. 7