



US00D671572S

(12) **United States Design Patent**
Seo et al.

(10) **Patent No.:** **US D671,572 S**
(45) **Date of Patent:** **** *Nov. 27, 2012**

(54) **REFRIGERATOR**

(75) Inventors: **Woonkyu Seo**, Seoul (KR); **Daesung Lee**, Gyeonggi-do (KR); **Youngsoo Ha**, Seoul (KR); **Sunil Cho**, Gyeonggi-do (KR)

(73) Assignee: **LG Electronics Inc.**, Seoul (KR)

(*) Notice: This patent is subject to a terminal disclaimer.

(**) Term: **14 Years**

(21) Appl. No.: **29/401,584**

(22) Filed: **Sep. 13, 2011**

(30) **Foreign Application Priority Data**

Mar. 17, 2011 (KR) 30-2011-0010791

(51) **LOC (9) Cl.** **15-07**

(52) **U.S. Cl.** **D15/86**

(58) **Field of Classification Search** D15/79-91;
62/3.6, 3.63, 3.64, 293, 331, 371, 440-445,
62/467; 312/112-119, 236, 400-408, 138.1
See application file for complete search history.

(56) **References Cited**

U.S. PATENT DOCUMENTS

D190,453 S *	5/1961	Munz et al.	D15/86
D502,711 S *	3/2005	Floeter et al.	D15/86
D522,541 S *	6/2006	Kim et al.	D15/86
D523,033 S *	6/2006	Kim et al.	D15/86
D527,398 S *	8/2006	Kim et al.	D15/86
D541,828 S *	5/2007	Nishibori et al.	D15/87
D601,596 S *	10/2009	Yoon et al.	D15/85
D615,564 S *	5/2010	Kristiansen et al.	D15/86
D615,565 S *	5/2010	Kristiansen et al.	D15/86
D629,021 S *	12/2010	Cho et al.	D15/85

D647,927 S *	11/2011	Lee et al.	D15/85
D655,321 S *	3/2012	Lee et al.	D15/86
D657,805 S *	4/2012	Cho et al.	D15/86
D658,214 S *	4/2012	Seo et al.	D15/86
D658,215 S *	4/2012	Seo et al.	D15/86

* cited by examiner

Primary Examiner — Mitchell Siegel

(74) *Attorney, Agent, or Firm* — Morgan, Lewis & Bockius LLP

(57) **CLAIM**

The ornamental design for a refrigerator, as shown and described.

DESCRIPTION

FIG. 1 is a perspective view of a refrigerator showing our new design;

FIG. 2 is a front view thereof;

FIG. 3 is a rear view thereof;

FIG. 4 is a left side view thereof;

FIG. 5 is a right side view thereof;

FIG. 6 is a top plan view thereof;

FIG. 7 is a bottom plan view thereof;

FIG. 8 is another perspective view thereof;

FIG. 9 is a perspective view thereof showing the state that all the doors of the refrigerator have been closed;

FIG. 10 is a perspective view of FIG. 9 showing the state that the outside door of the door-in-door at the upper-right side of the refrigerator has been open;

FIG. 11 is a perspective view of FIG. 8 showing the state that the drawers at the upper-left door of the refrigerator have been slid forward; and,

FIG. 12 is a perspective view of FIG. 8 showing the state that the drawers at the lower-left door of the refrigerator have been slid forward.

1 Claim, 12 Drawing Sheets

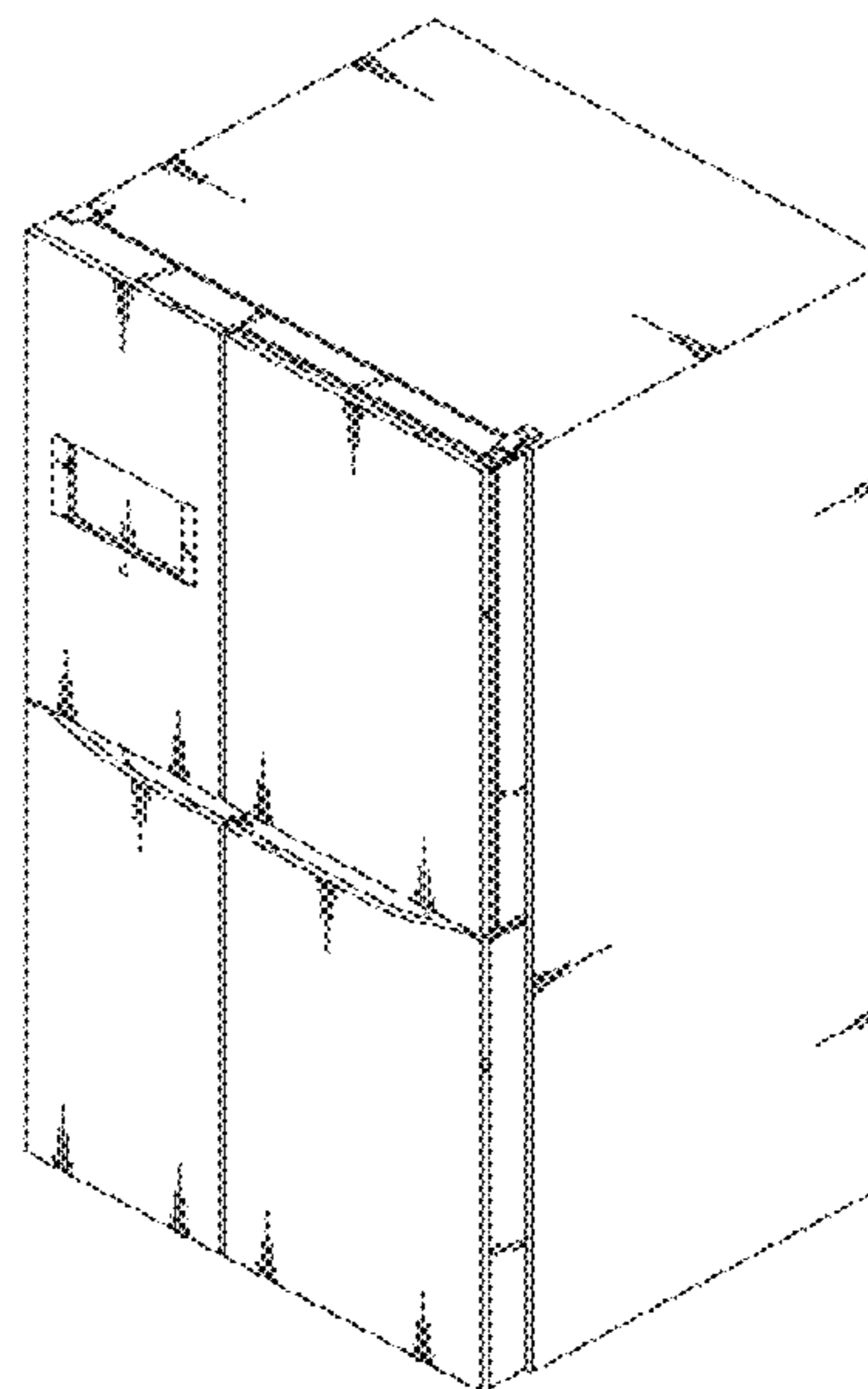
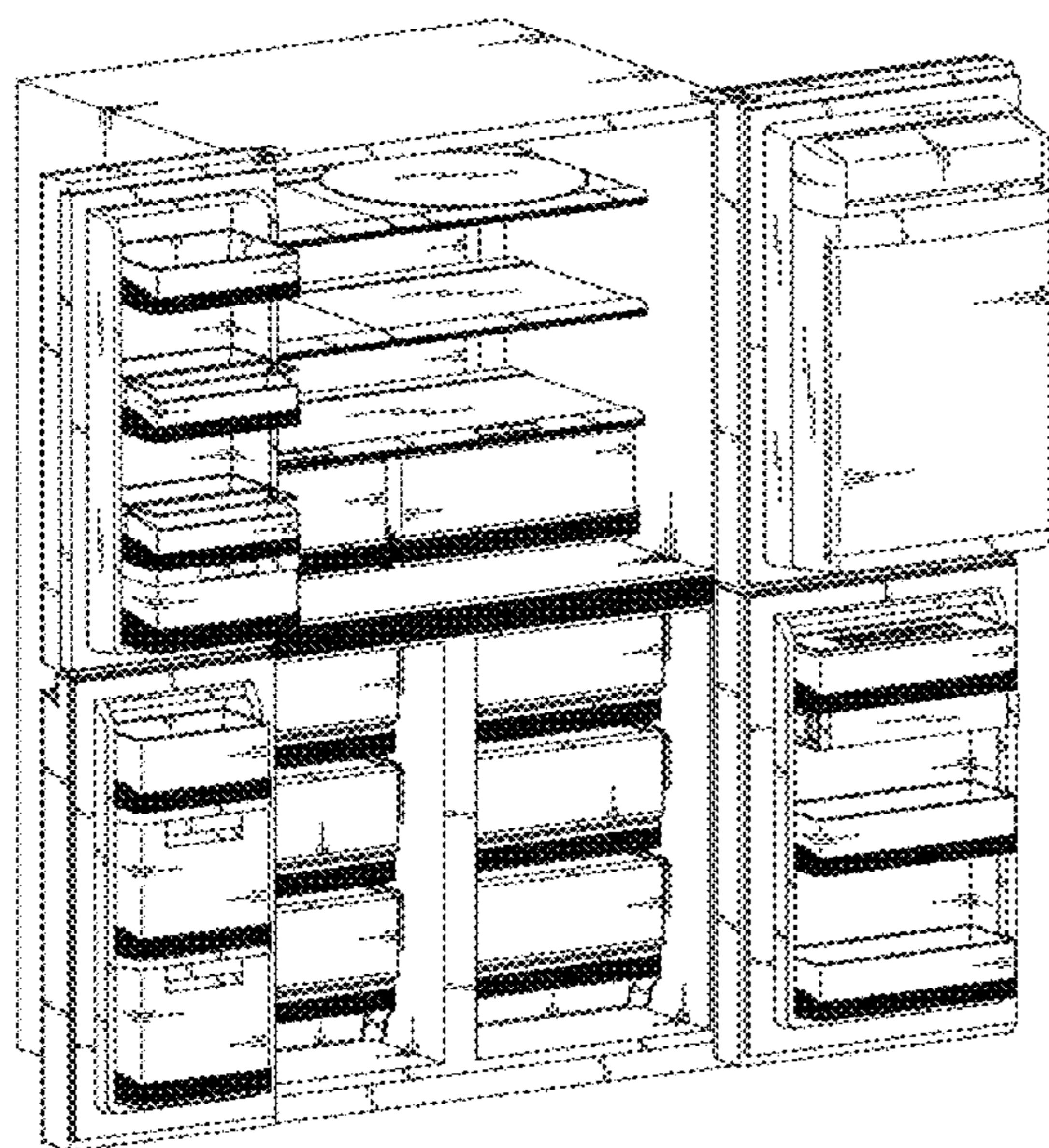


FIG. 1

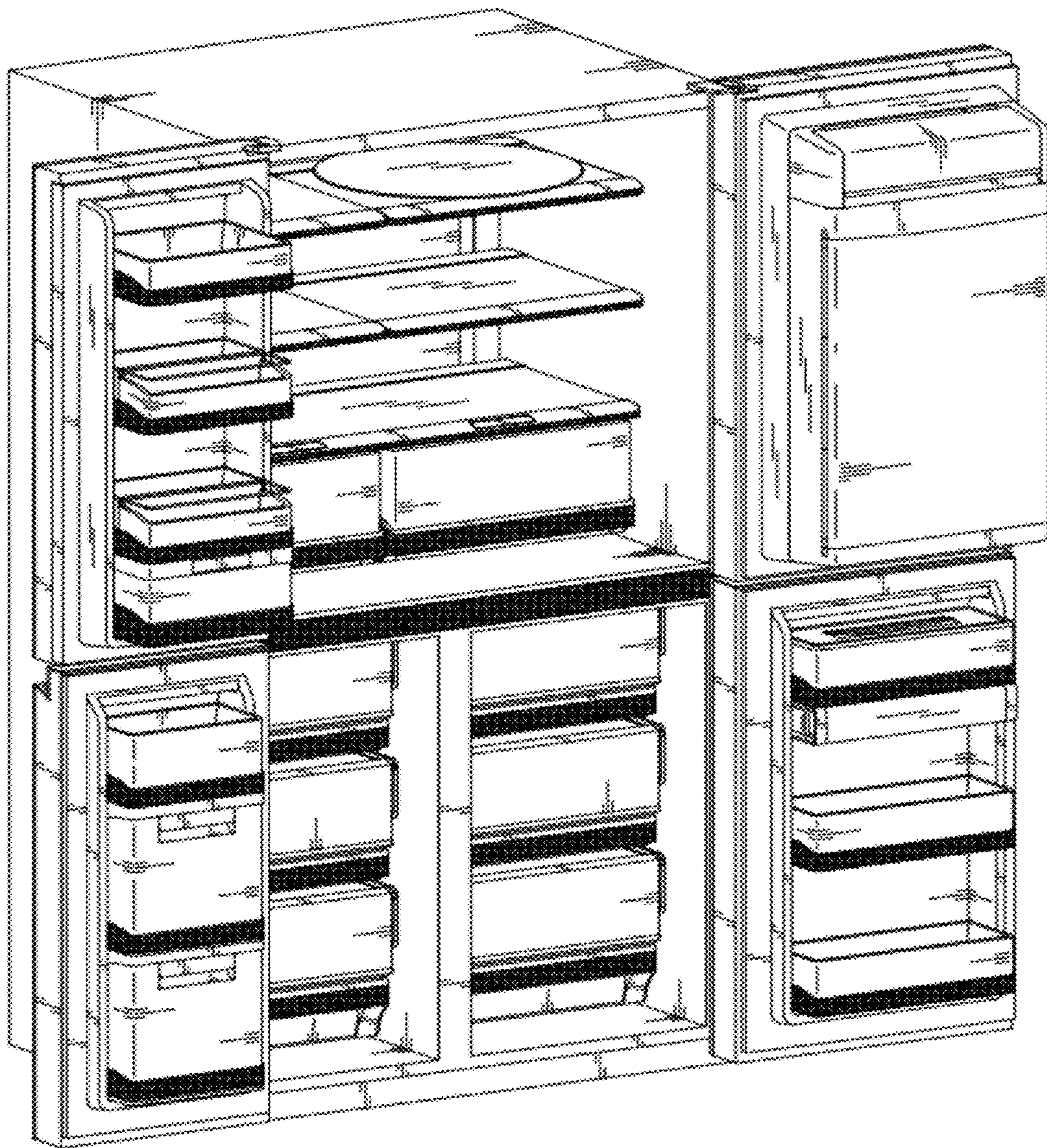


FIG. 2

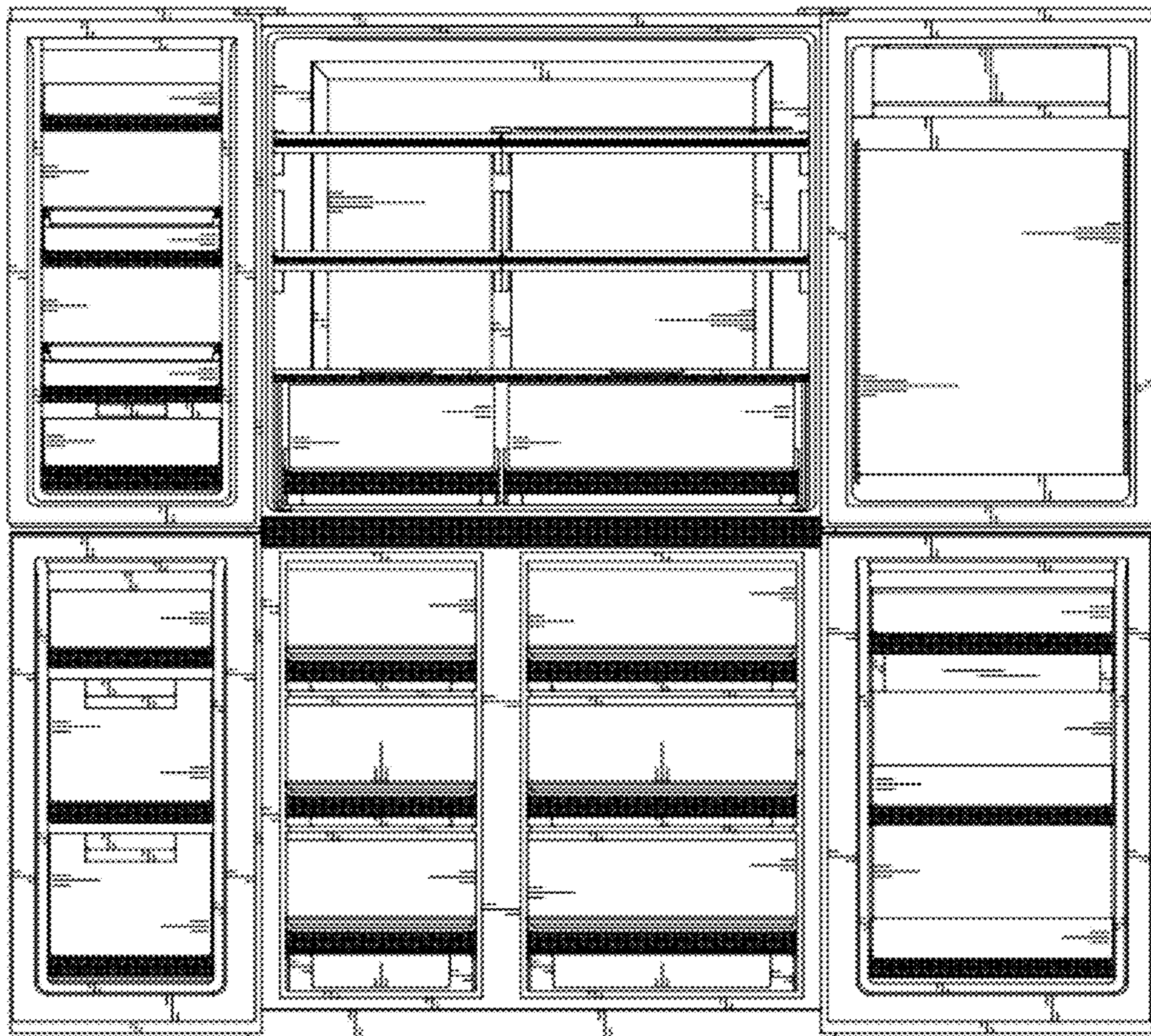


FIG. 3

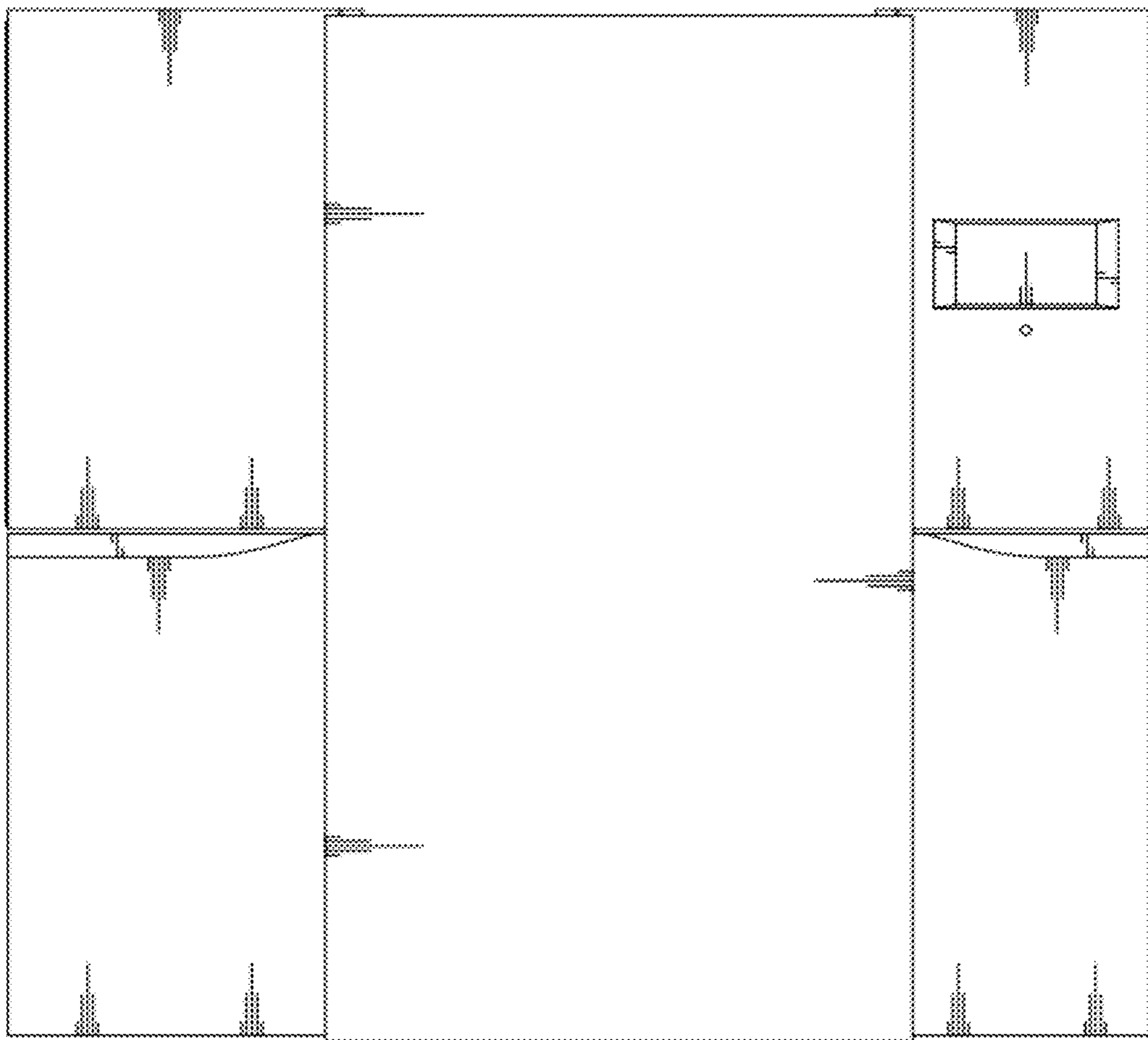


FIG. 4

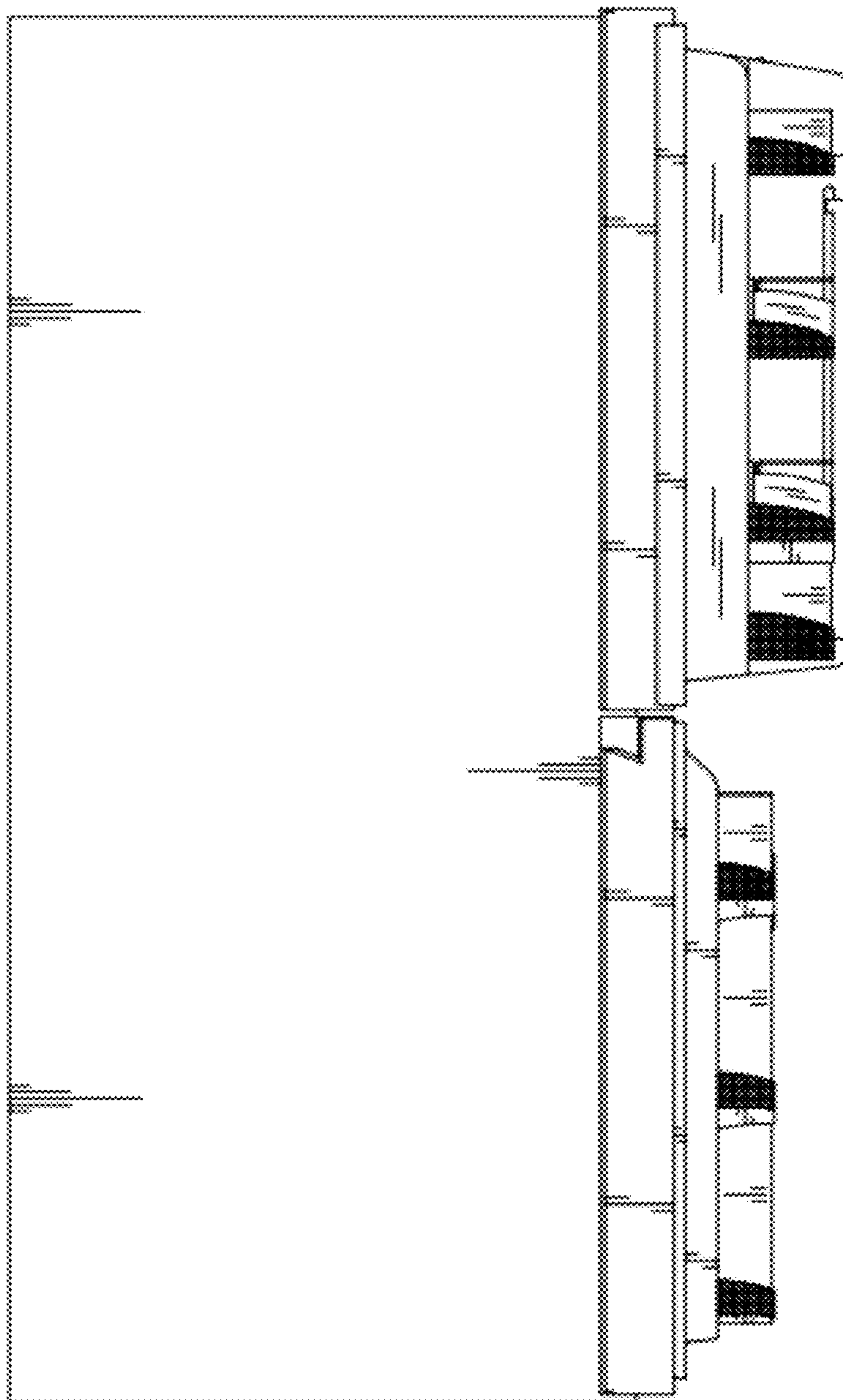


FIG. 5

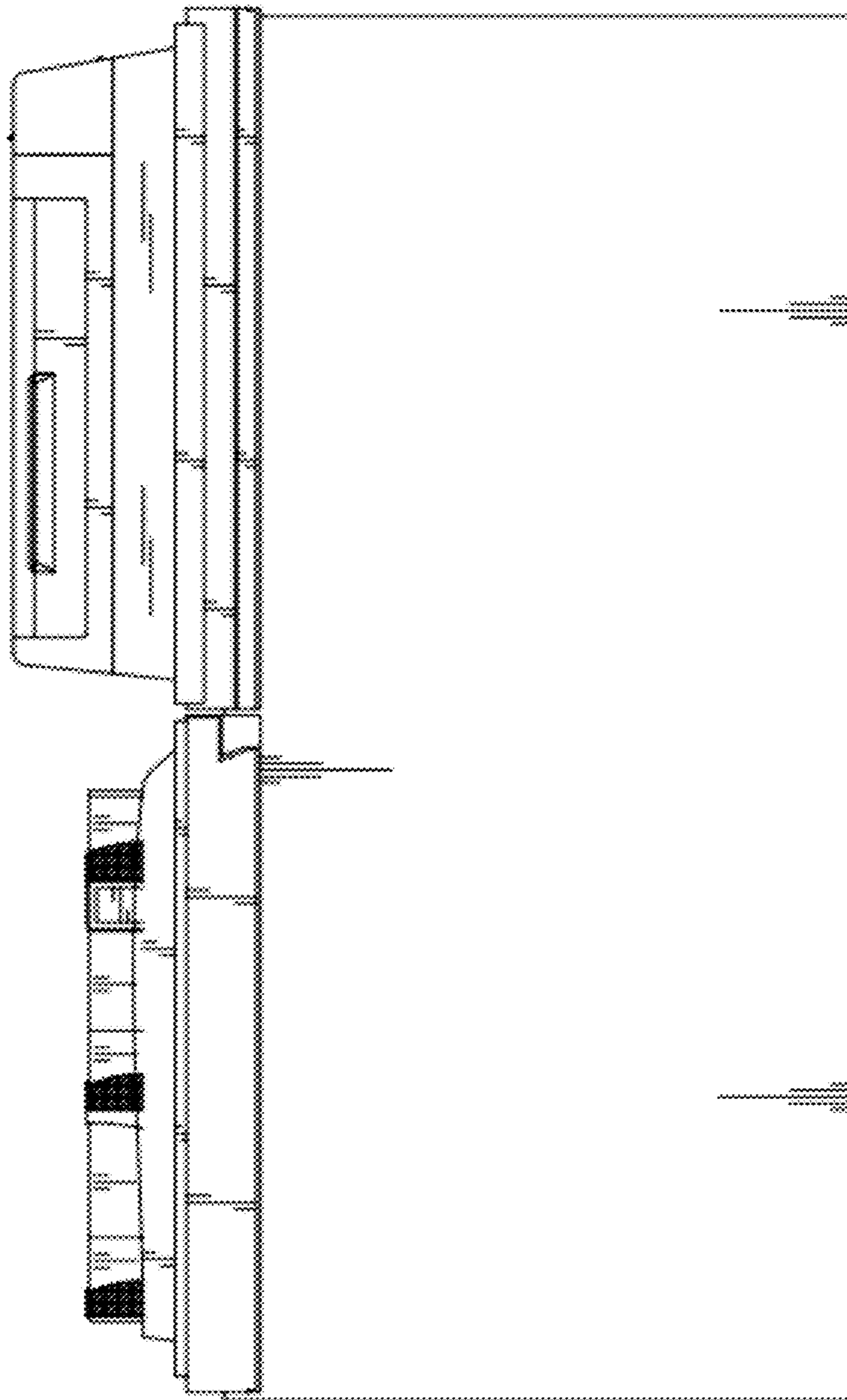


FIG. 6

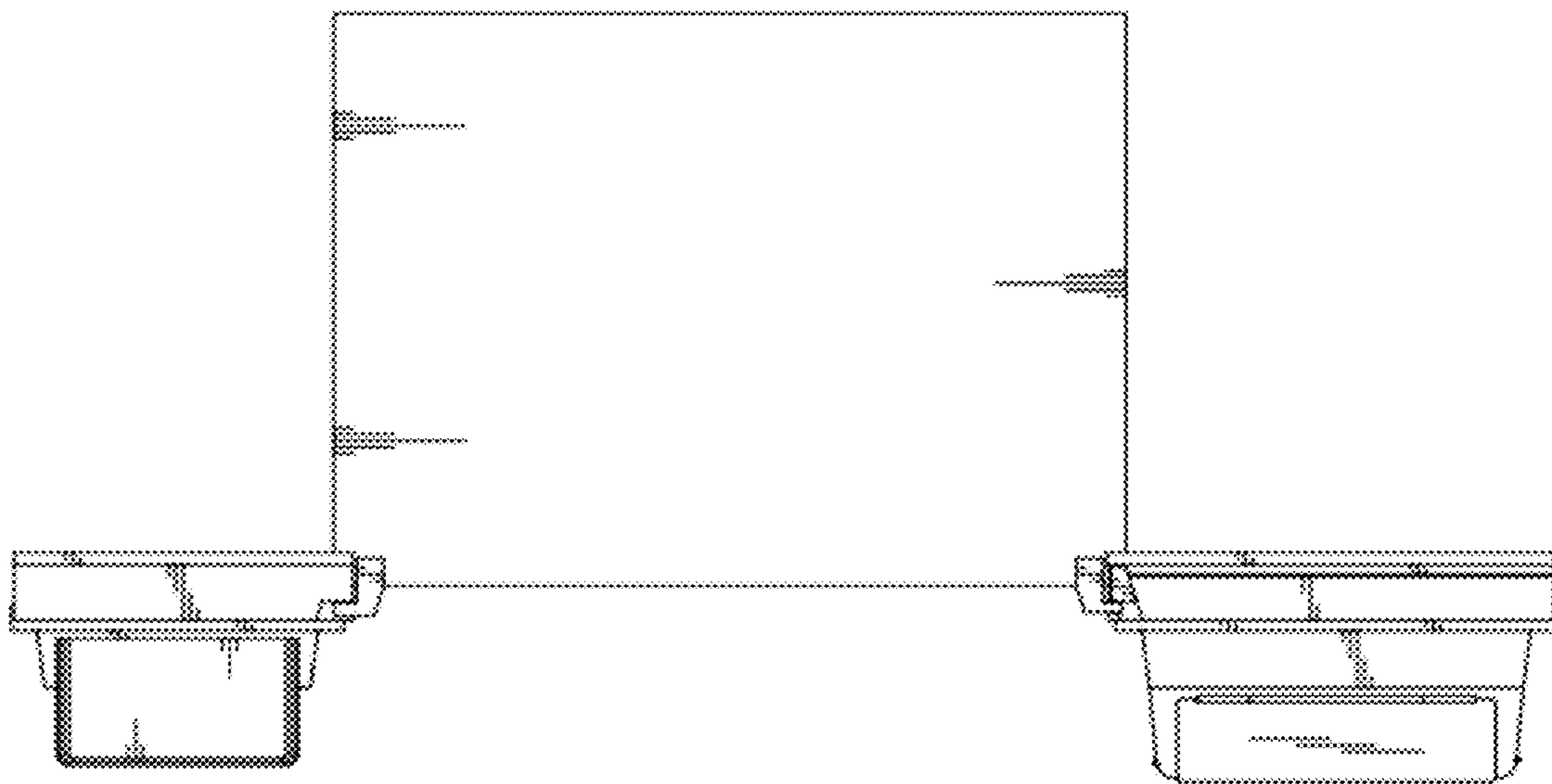


FIG. 7

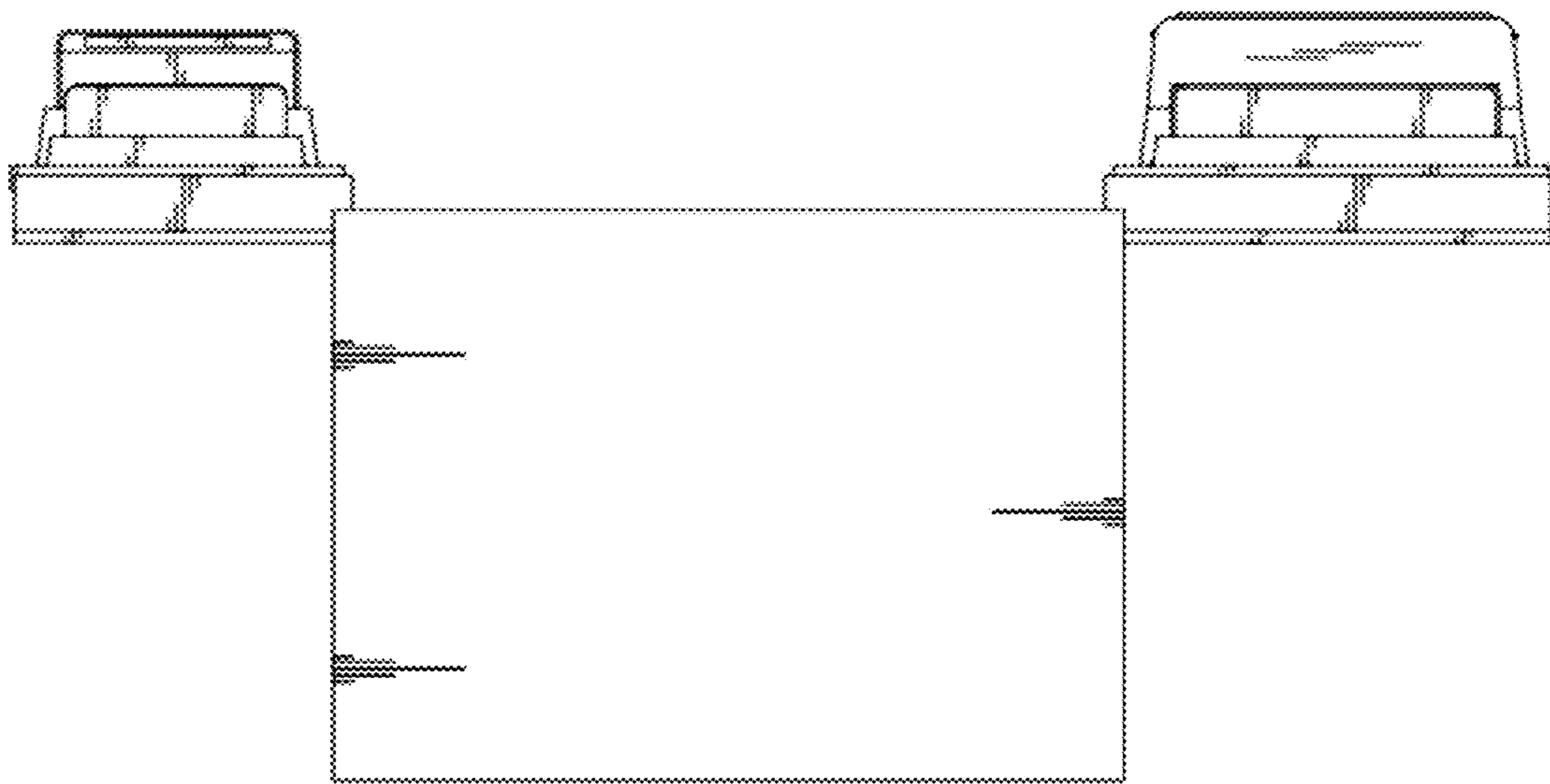


FIG. 8

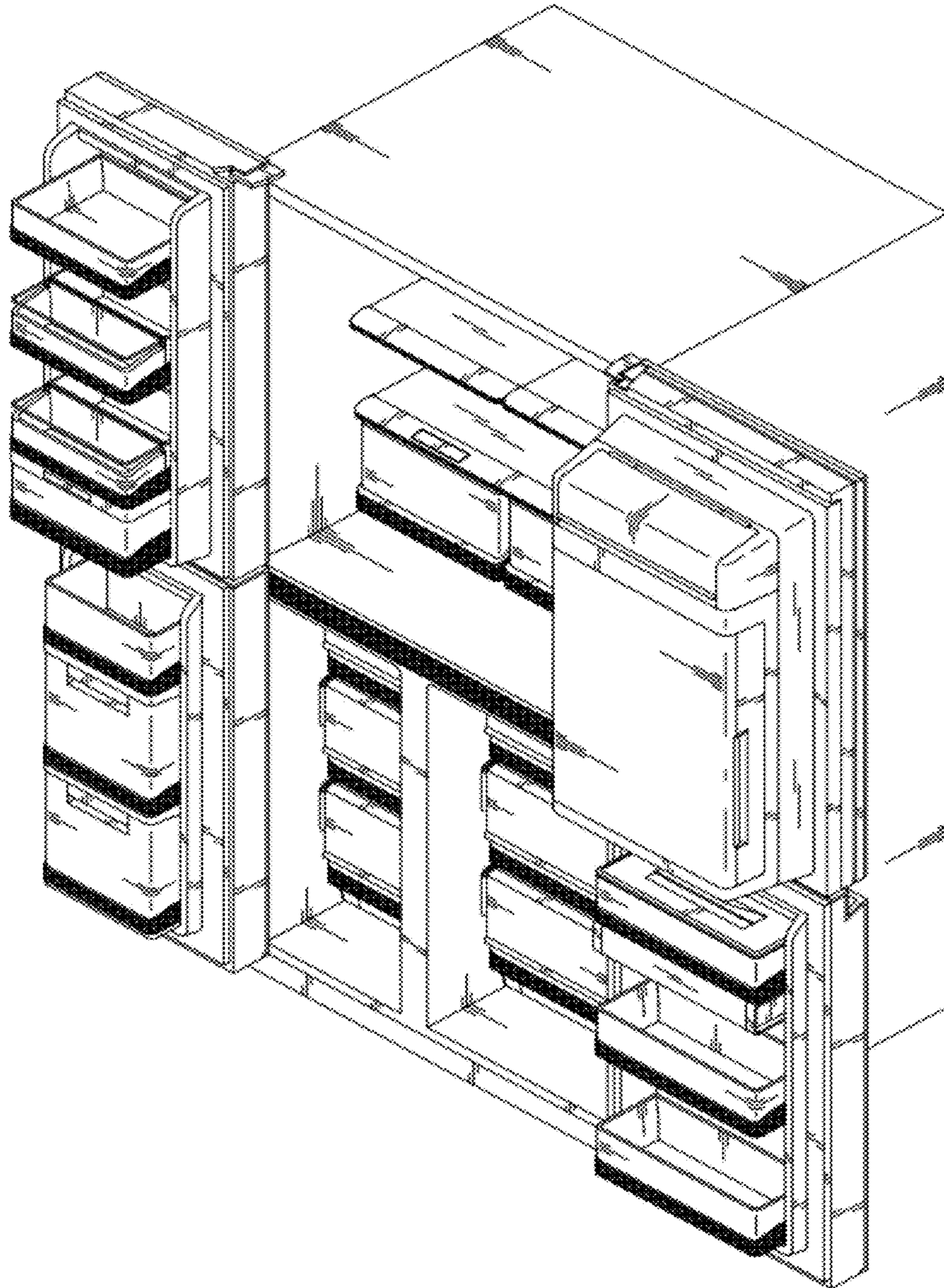


FIG. 9

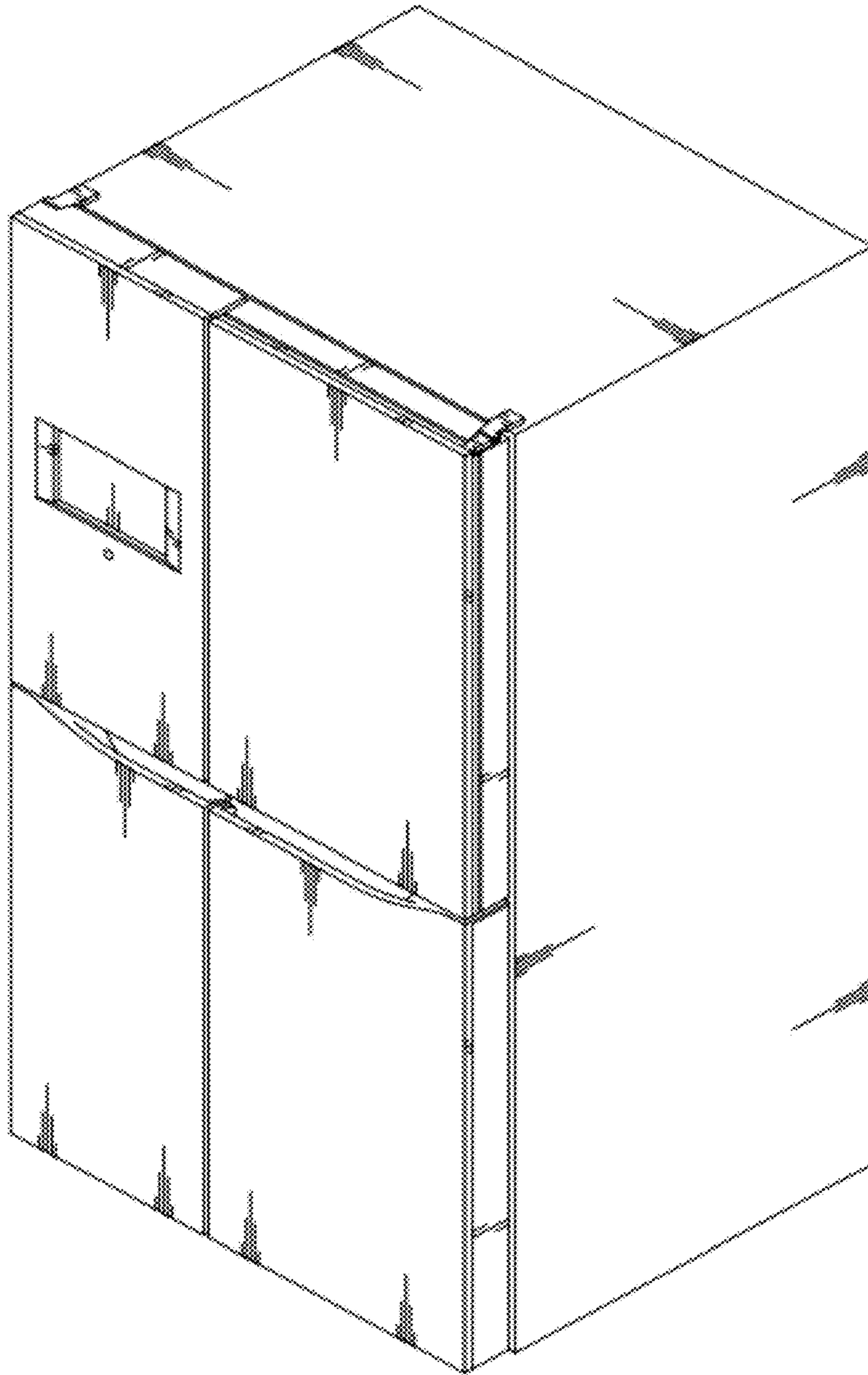


FIG. 10

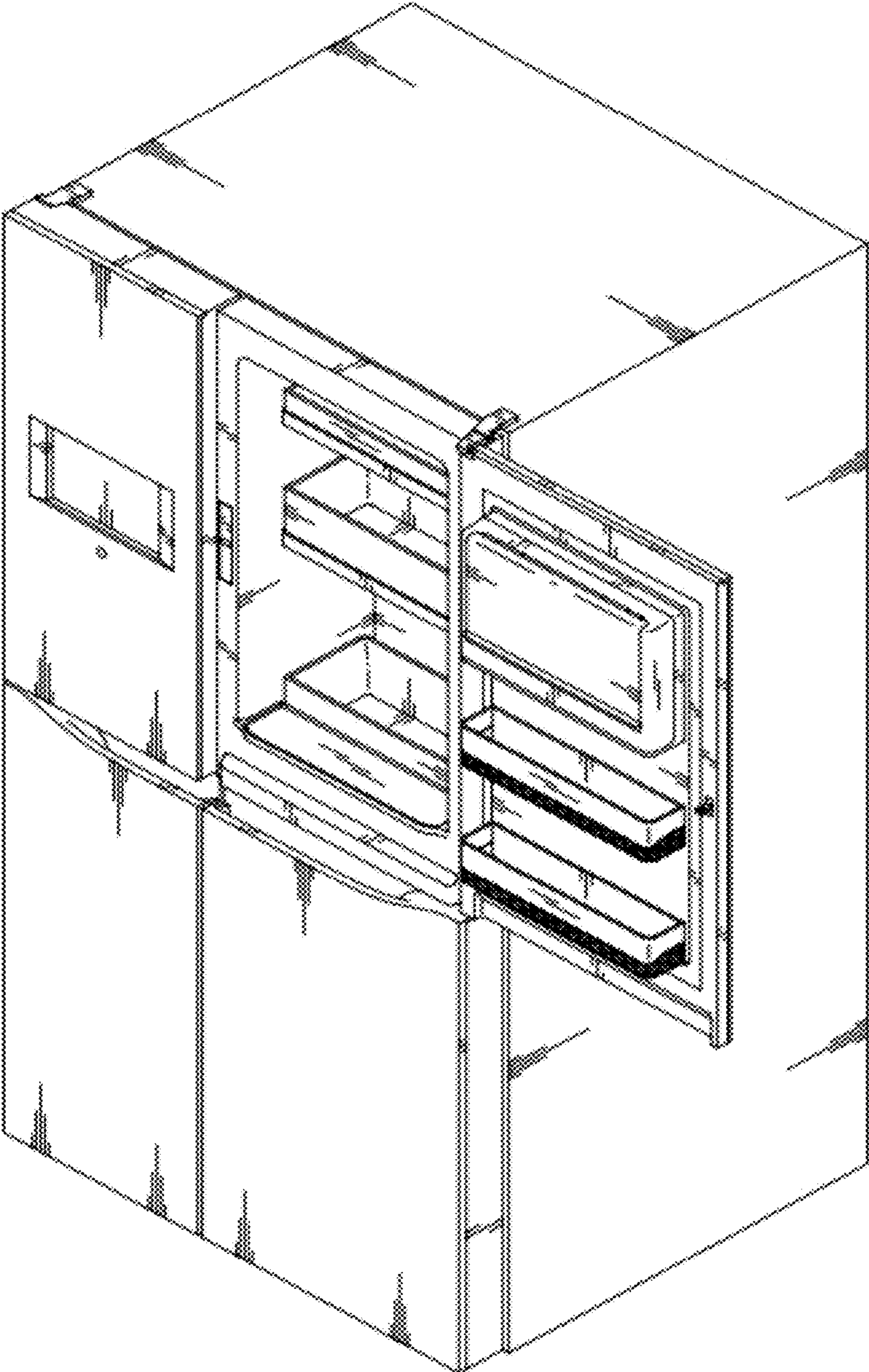


FIG. 11

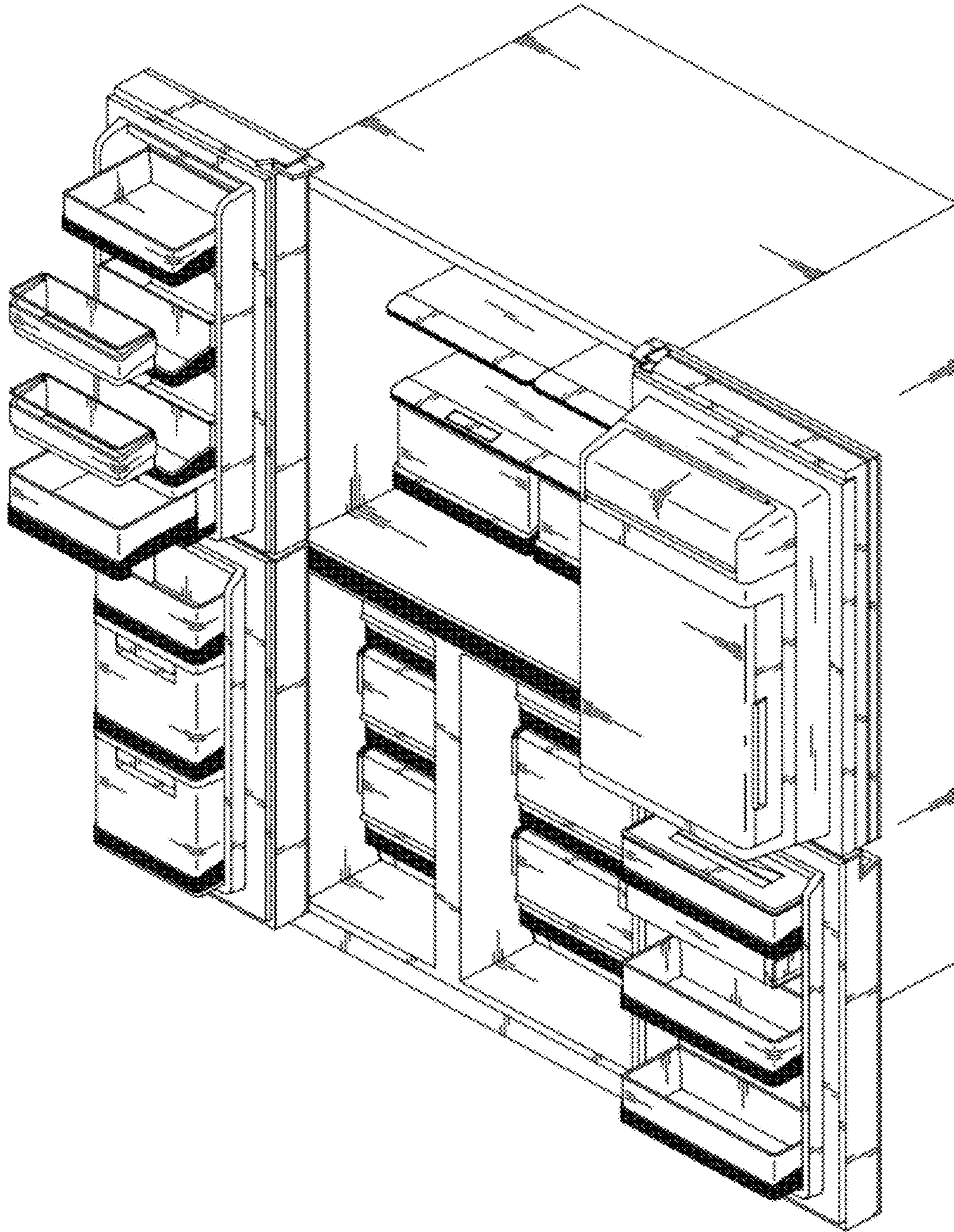


FIG. 12

