



US00D671569S

(12) **United States Design Patent**
Pauschitz

(10) **Patent No.:** **US D671,569 S**

(45) **Date of Patent:** **** *Nov. 27, 2012**

(54) **REFRIGERATING APPARATUS**

(75) **Inventor:** **Christoph Pauschitz**, Vienna (AT)

(73) **Assignee:** **AHT Cooling Systems GmbH**,
Rottenmann (AT)

(*) **Notice:** This patent is subject to a terminal disclaimer.

(**) **Term:** **14 Years**

(21) **Appl. No.:** **29/396,740**

(22) **Filed:** **Jul. 6, 2011**

(51) **LOC (9) Cl.** **15-07**

(52) **U.S. Cl.** **D15/83**

(58) **Field of Classification Search** D15/79-89;
D6/470-472, 441; 62/3.6, 125-126, 246-255,
62/275, 337, 384, 389, 440-456; 312/114-117,
312/401-408, 138.1, 236
See application file for complete search history.

(56) **References Cited**

U.S. PATENT DOCUMENTS

2,276,635	A	*	3/1942	Weber	220/349
D439,913	S	*	4/2001	Jobst	D15/84
D449,845	S	*	10/2001	Reese et al.	D15/83
D477,617	S	*	7/2003	Resch	D15/83

D483,045	S	*	12/2003	Resch	D15/83
D521,029	S	*	5/2006	Resch	D15/83
D541,313	S	*	4/2007	Resch	D15/83
D541,314	S	*	4/2007	Resch	D15/83
D541,827	S	*	5/2007	Resch	D15/83
D586,366	S	*	2/2009	Resch	D15/79
D596,208	S	*	7/2009	Cunnane	D15/83
D621,856	S	*	8/2010	Bertoli et al.	D15/83

* cited by examiner

Primary Examiner — Mitchell Siegel

(74) *Attorney, Agent, or Firm* — Hogan Lovells US LLP

(57) **CLAIM**

The ornamental design for a refrigerating apparatus, as shown and described.

DESCRIPTION

FIG. 1 is a perspective view of a refrigerating apparatus showing our new design;
FIG. 2 is a front view thereof;
FIG. 3 is a back view thereof;
FIG. 4 is a right side view thereof;
FIG. 5 is a left side view thereof;
FIG. 6 is a bottom view thereof; and,
FIG. 7 is a top view thereof.

The elements depicted in broken lines form no part of the claimed design.

1 Claim, 7 Drawing Sheets

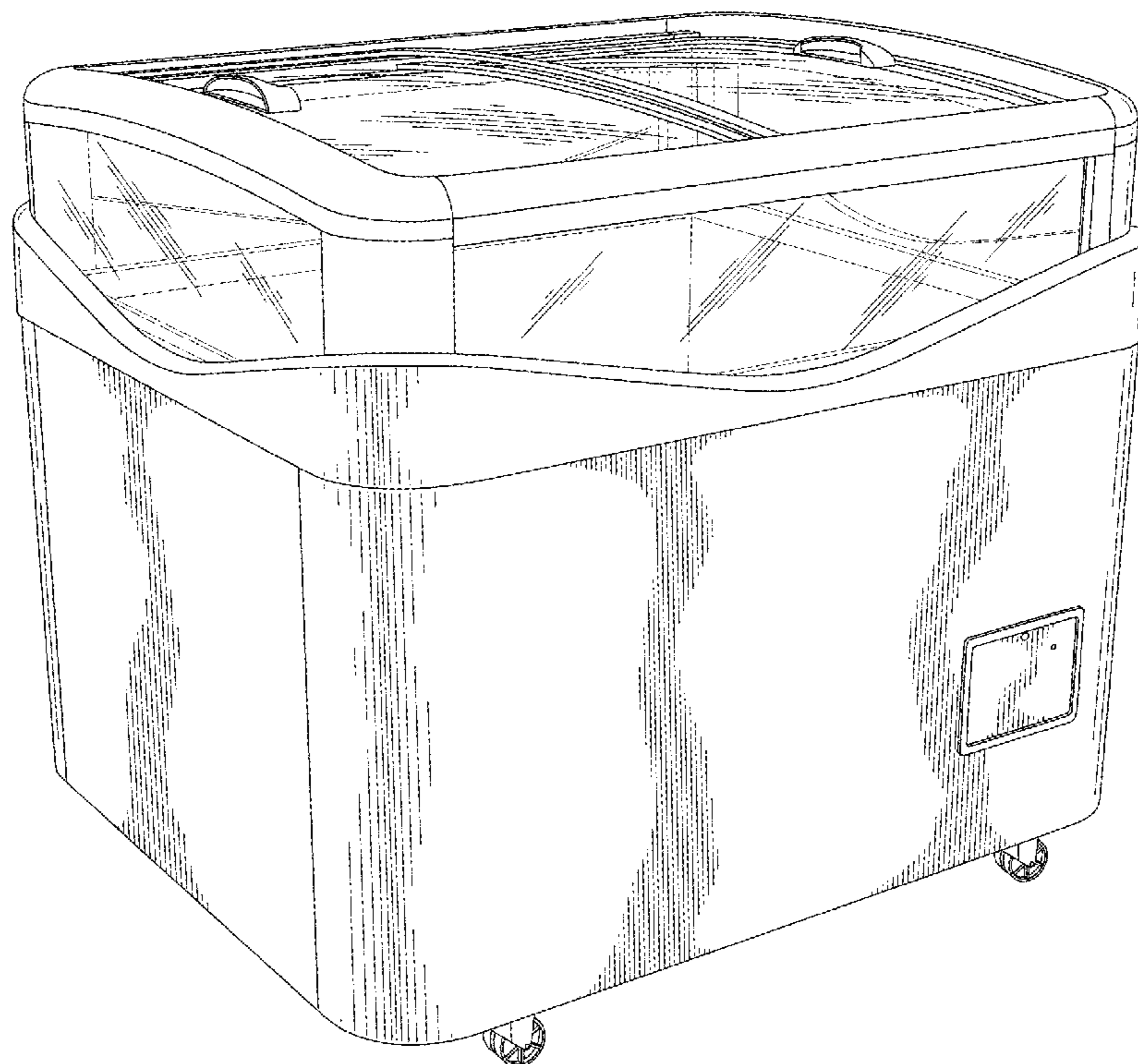


Fig. 1

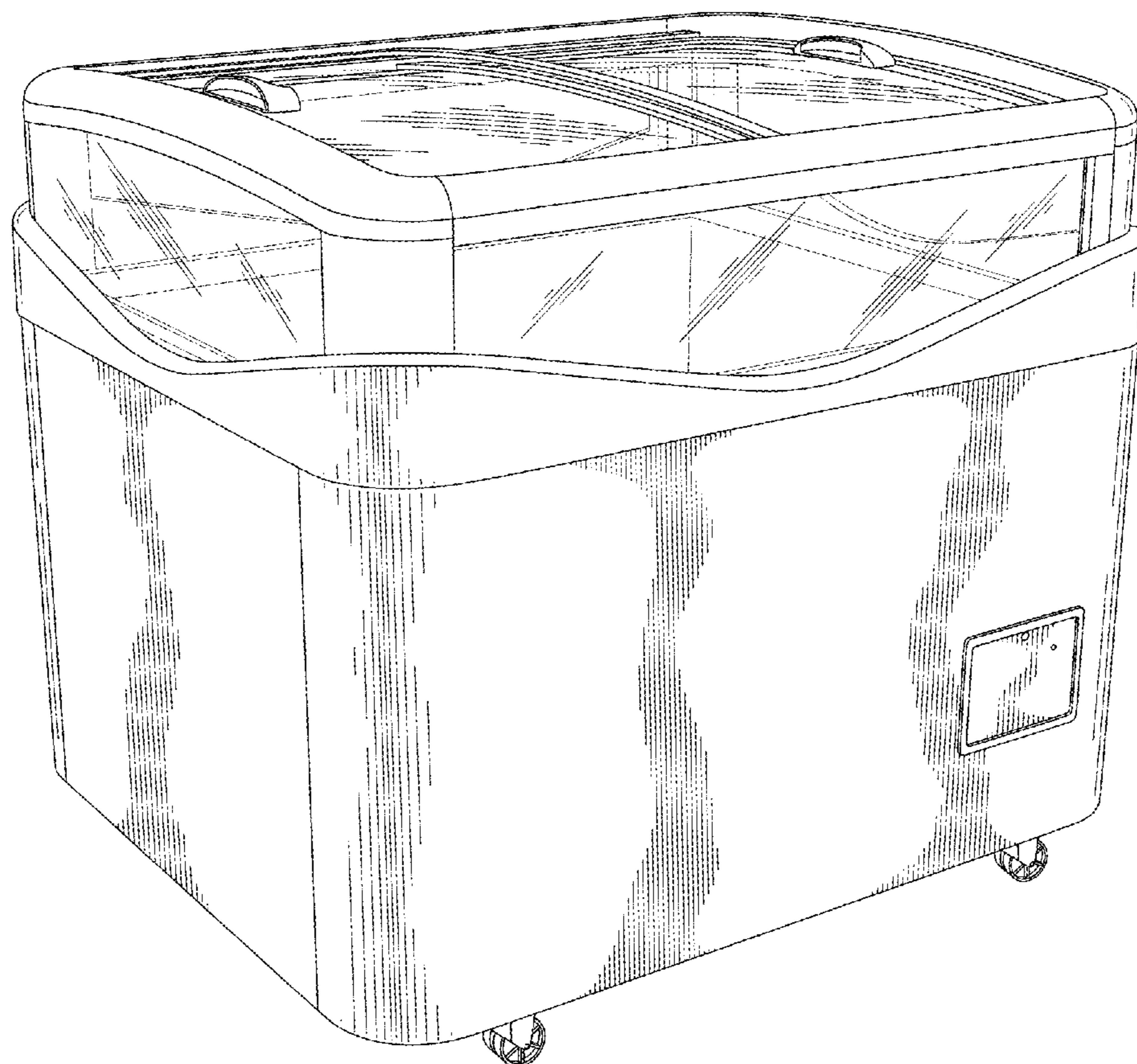


Fig. 2

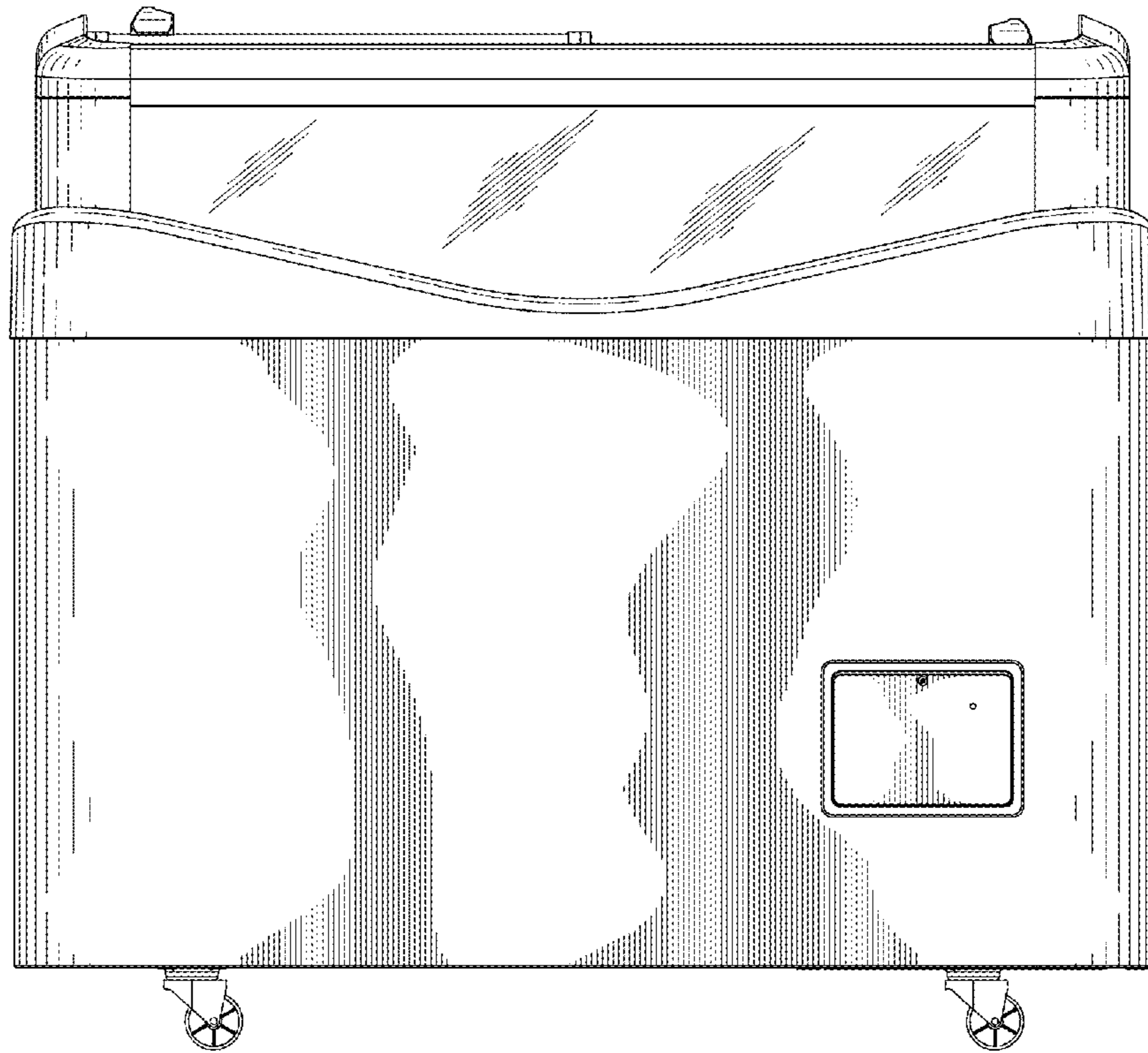


Fig. 3

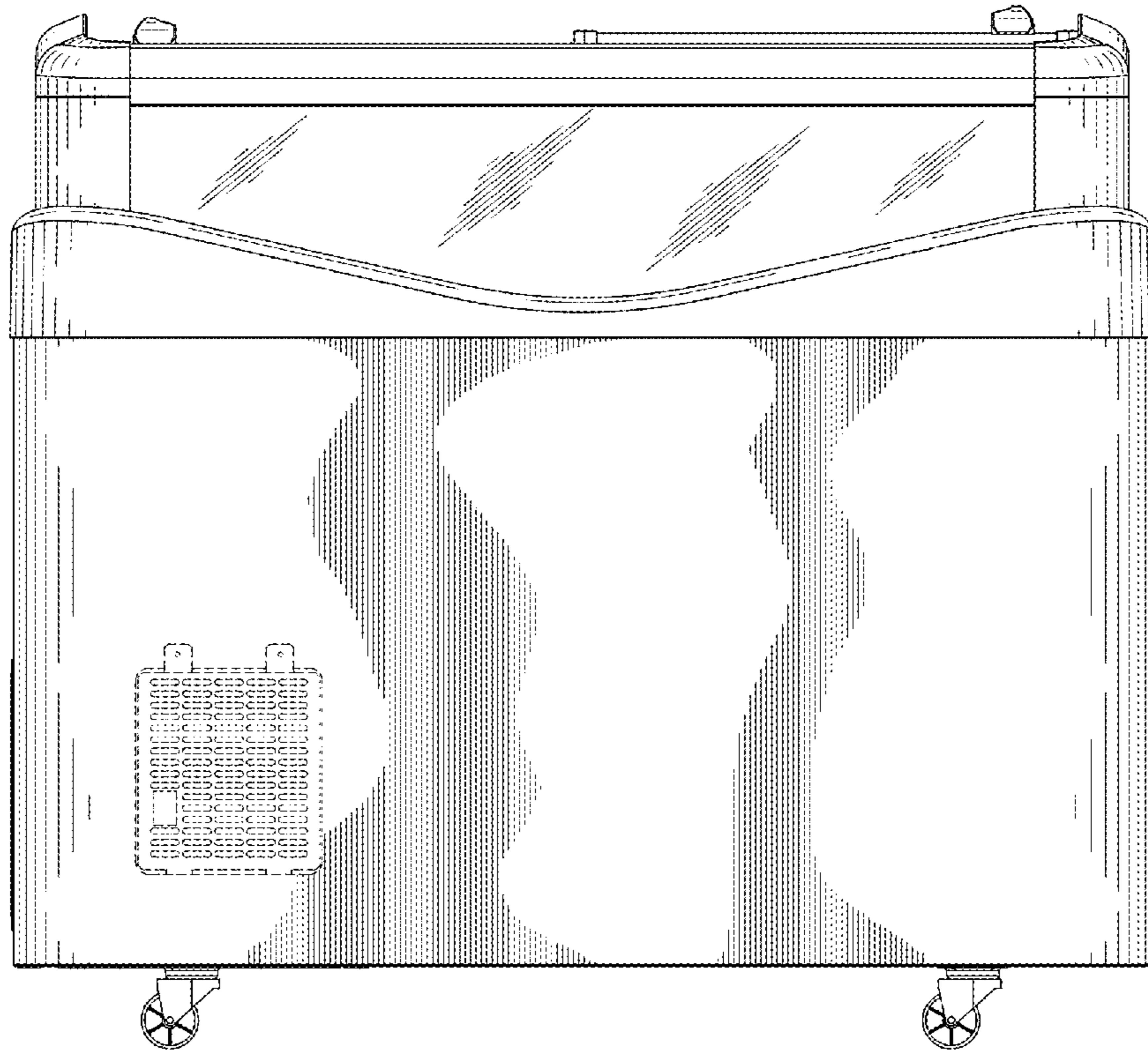


Fig. 4

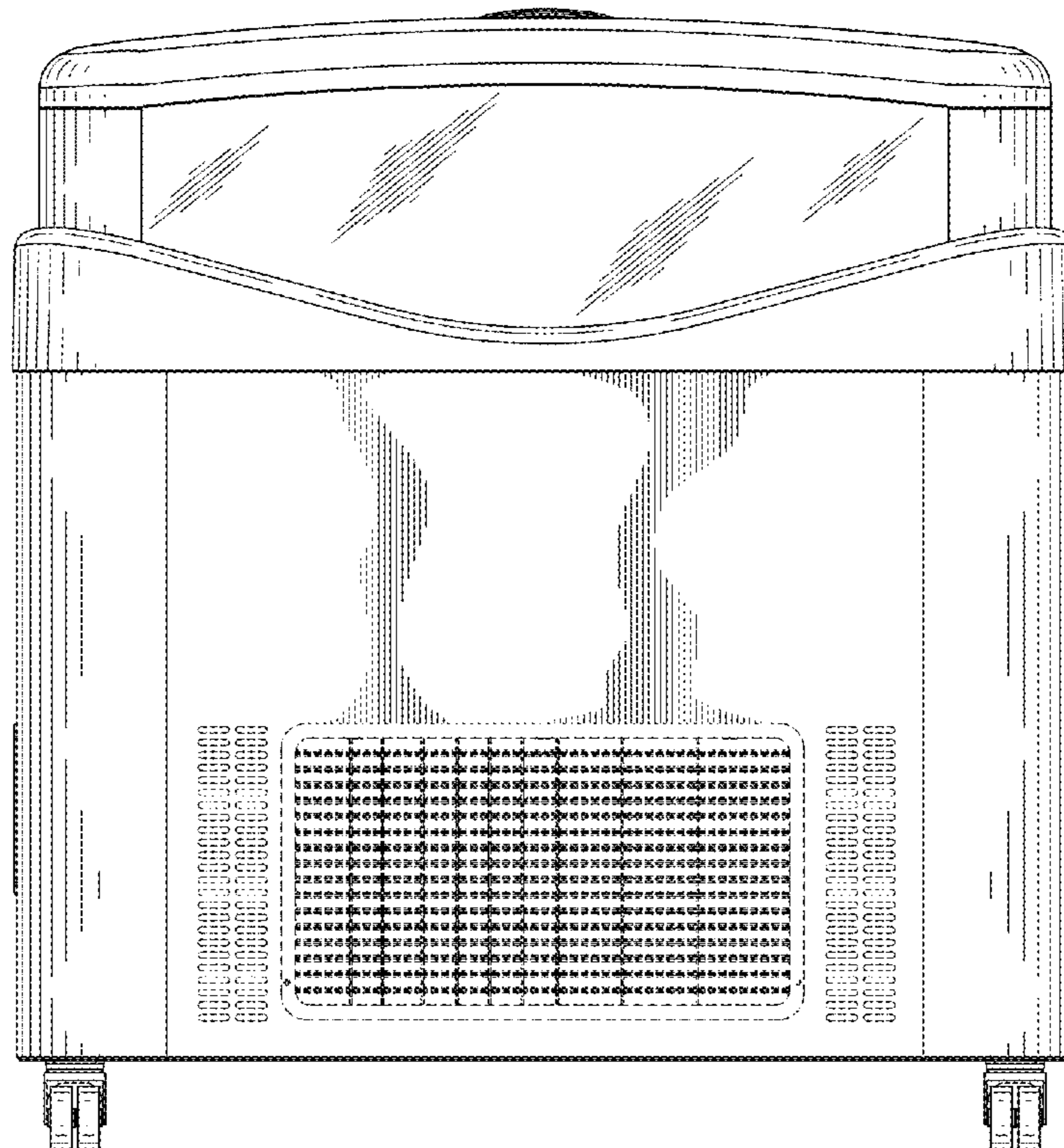


Fig. 5

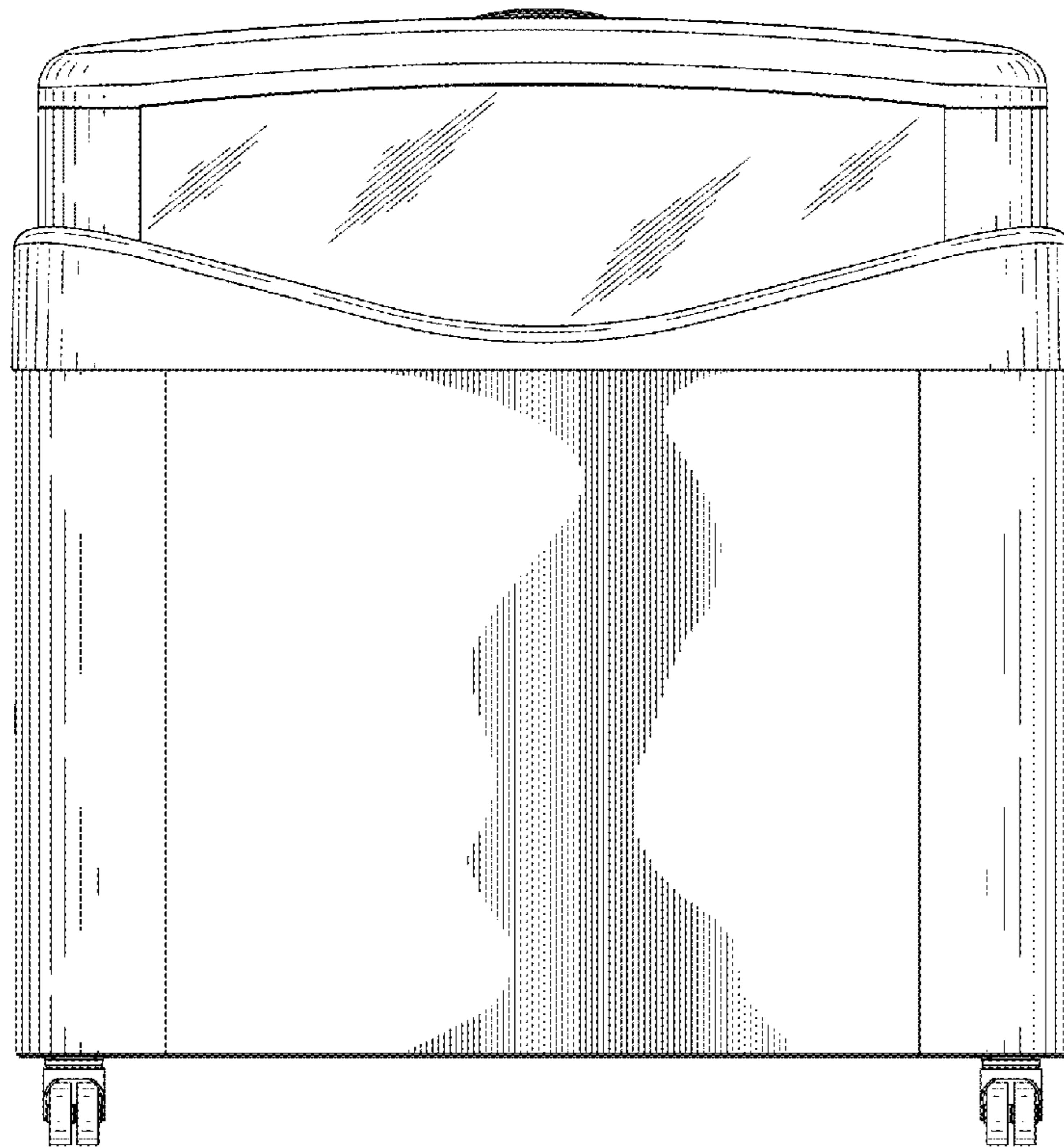


Fig. 6

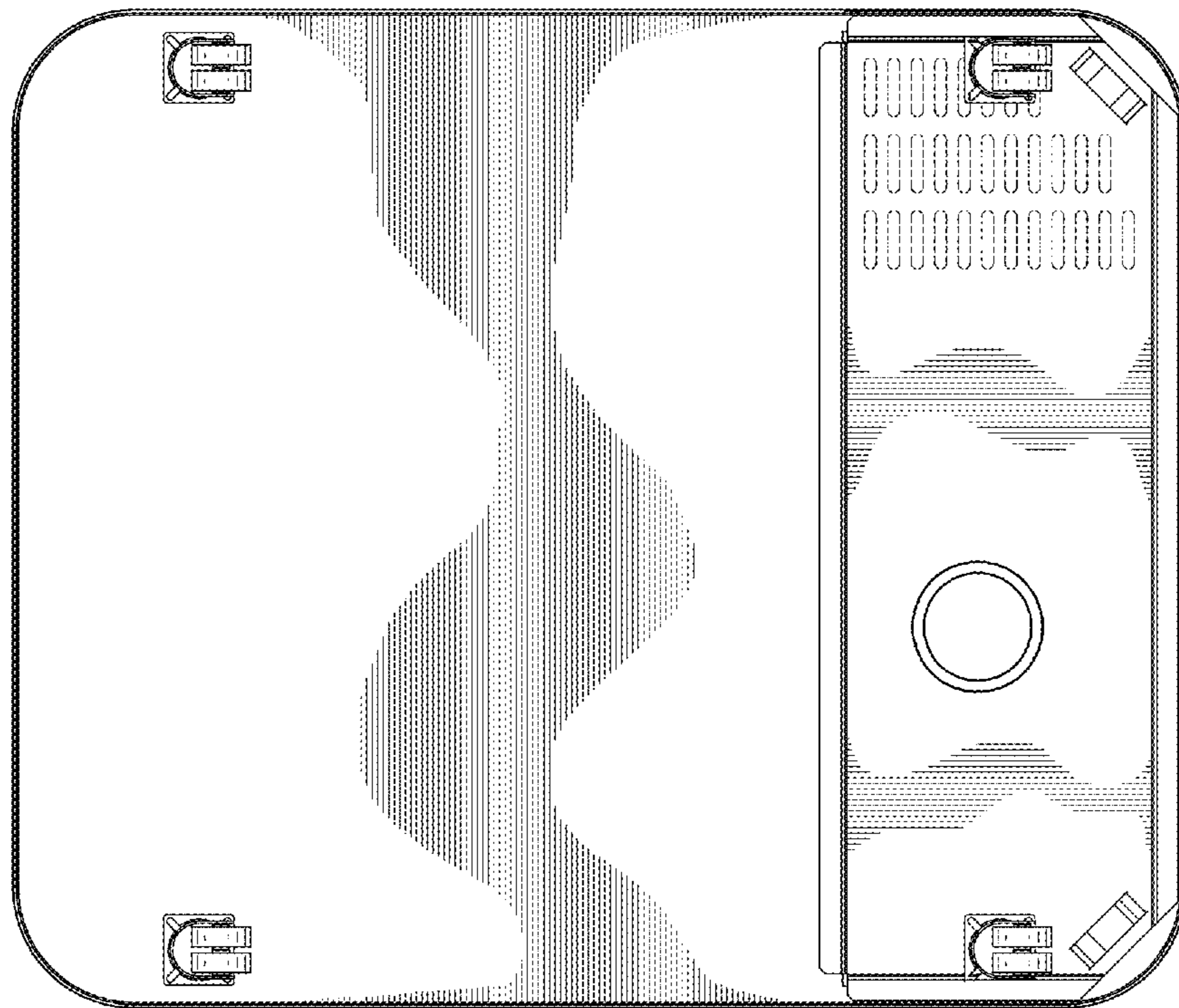


Fig. 7

