



US00D671568S

(12) **United States Design Patent**
Pelayo et al.

(10) **Patent No.:** **US D671,568 S**

(45) **Date of Patent:** **** Nov. 27, 2012**

(54) **ICE CREAM DISPENSER**

(75) Inventors: **Xorge Castro Pelayo**, Cambridge (GB);
Benjamin John Strutt, Cambridge (GB)

(73) Assignee: **Conopco, Inc.**, Englewood Cliffs, NJ
(US)

(**) Term: **14 Years**

(21) Appl. No.: **29/403,772**

(22) Filed: **Oct. 11, 2011**

(30) **Foreign Application Priority Data**

Apr. 19, 2011 (EM) 001852674-0001

(51) **LOC (9) Cl.** **15-07**

(52) **U.S. Cl.** **D15/82**

(58) **Field of Classification Search** D15/82;
D7/307-308, 369-371; 62/76, 305, 309,
62/342-345, 374, 376; 222/129.1, 311; 362/231,
362/244, 289, 144; 312/400-408
See application file for complete search history.

(56) **References Cited**

U.S. PATENT DOCUMENTS

D40,381 S *	11/1909	Bunnell	D15/82
D184,325 S *	1/1959	Wash et al.	D15/82
D217,650 S *	5/1970	Lofgren	D7/308
D285,082 S *	8/1986	Verkler	D15/82
D307,754 S *	5/1990	Osrow et al.	D15/82
D378,215 S *	2/1997	Gander	D15/82
D413,611 S *	9/1999	Wells	D15/82
D461,991 S *	8/2002	Cunha et al.	D7/307

D466,138 S *	11/2002	Baldonado et al.	D15/82
D485,566 S *	1/2004	Ledingham et al.	D15/82
D651,619 S *	1/2012	Salin	D15/82

OTHER PUBLICATIONS

Co-pending application Bouwknecht et al., U.S. Appl. No. 29/376,751, filed Oct. 12, 2010.

Co-pending application Pelayo et al., U.S. Appl. No. 29/403,776, filed Oct. 11, 2011.

Co-pending application Pelayo et al., U.S. Appl. No. 29/403,777, filed Oct. 11, 2011.

Nestle Ma Glace Dispenser (admitted prior art).

Unilever's Cornetto Soft Dispenser (admitted prior art).

* cited by examiner

Primary Examiner — Mitchell Siegel

(74) *Attorney, Agent, or Firm* — Gerard J. McGowan, Jr.

(57) **CLAIM**

The ornamental design for an ice cream dispenser, substantially as shown and described.

DESCRIPTION

FIG. 1 is a perspective view of an ice cream dispenser showing our design;

FIG. 2 is a front view thereof;

FIG. 3 is a rear view thereof;

FIG. 4 is a left side view thereof;

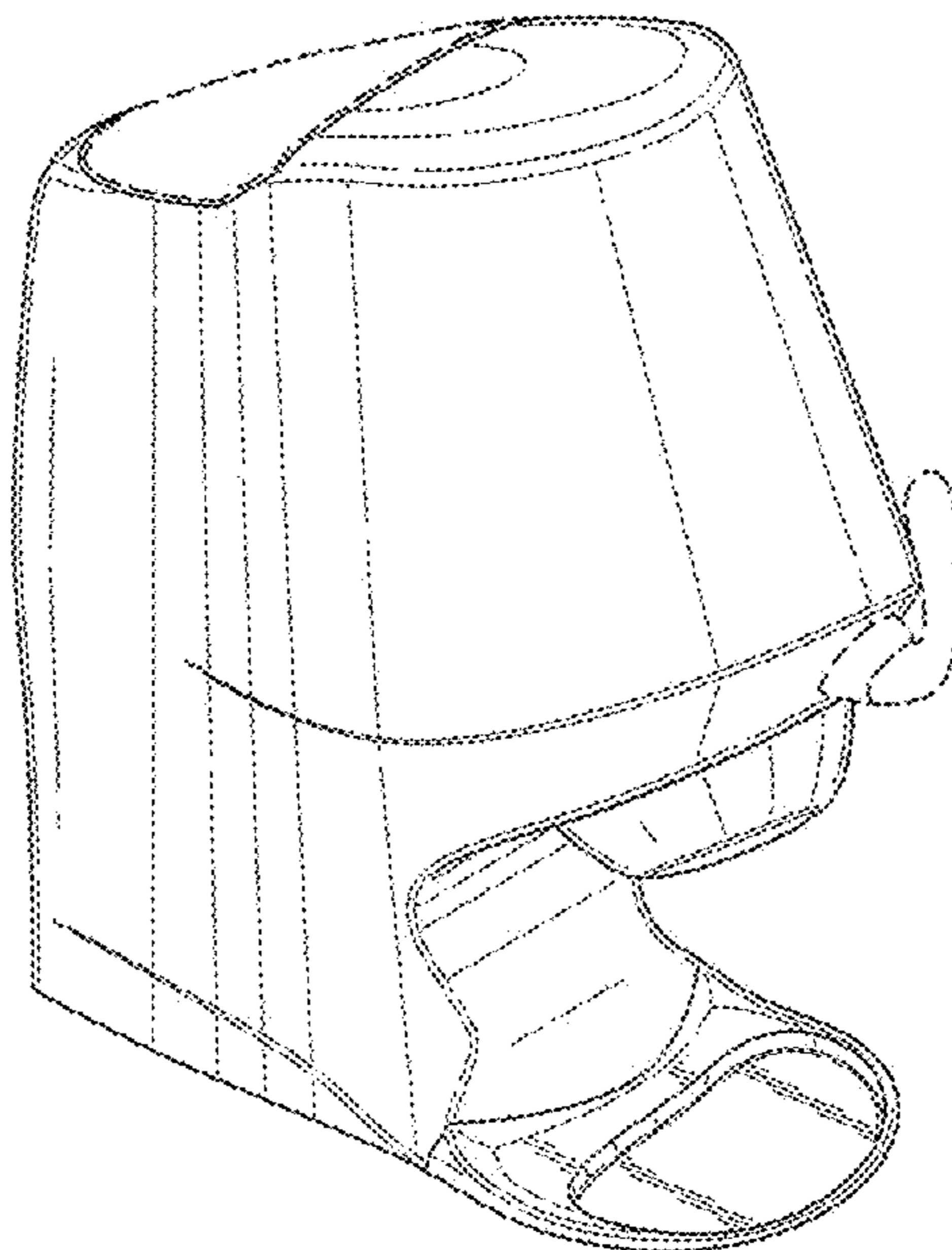
FIG. 5 is a right side view thereof;

FIG. 6 is a top plan view thereof; and,

FIG. 7 is an underneath view thereof.

The broken lines represent the bounds of the claimed design while all other broken lines are directed to environment and are for illustrative purposes only; the broken lines form no part of the claimed design.

1 Claim, 5 Drawing Sheets



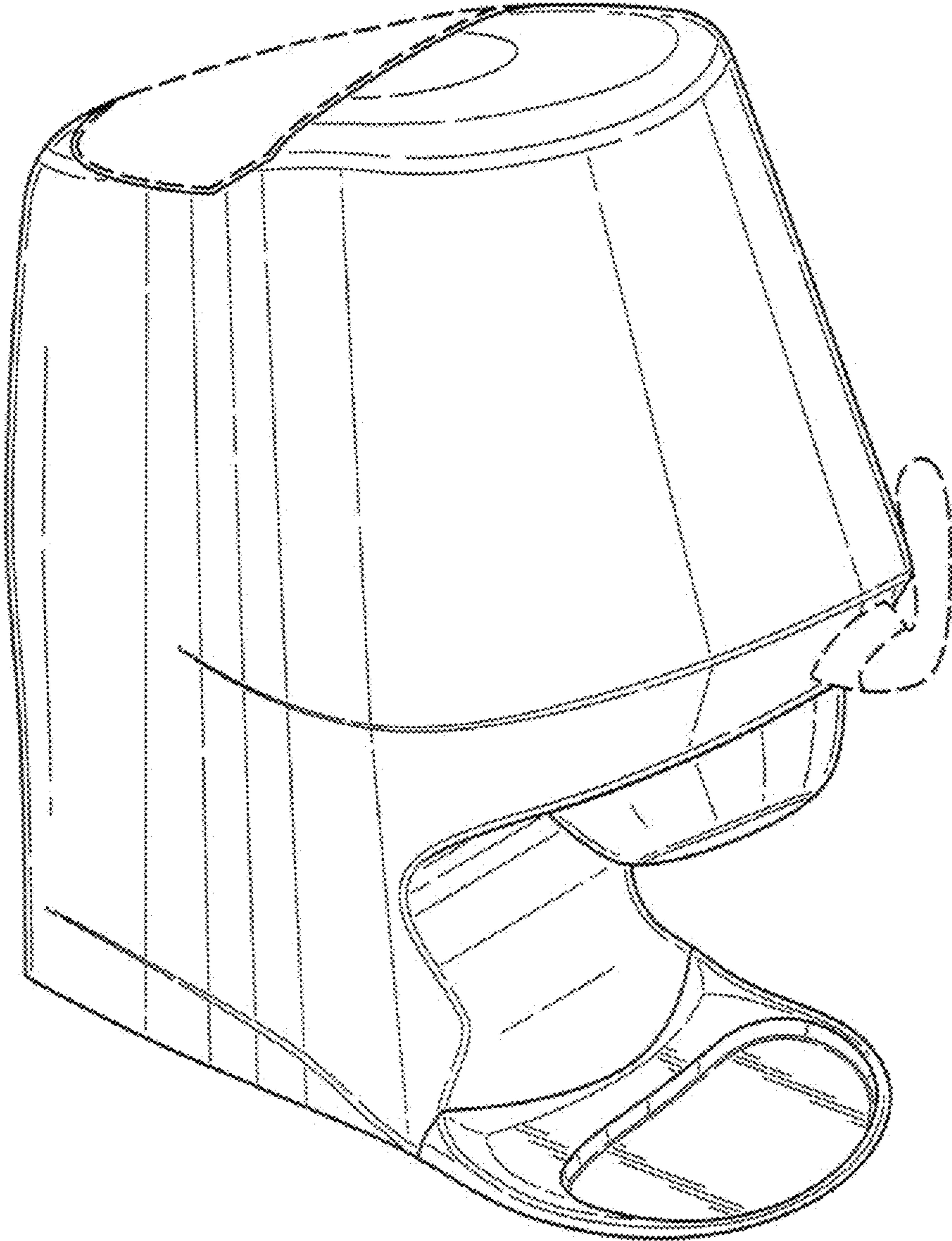


Fig. 1

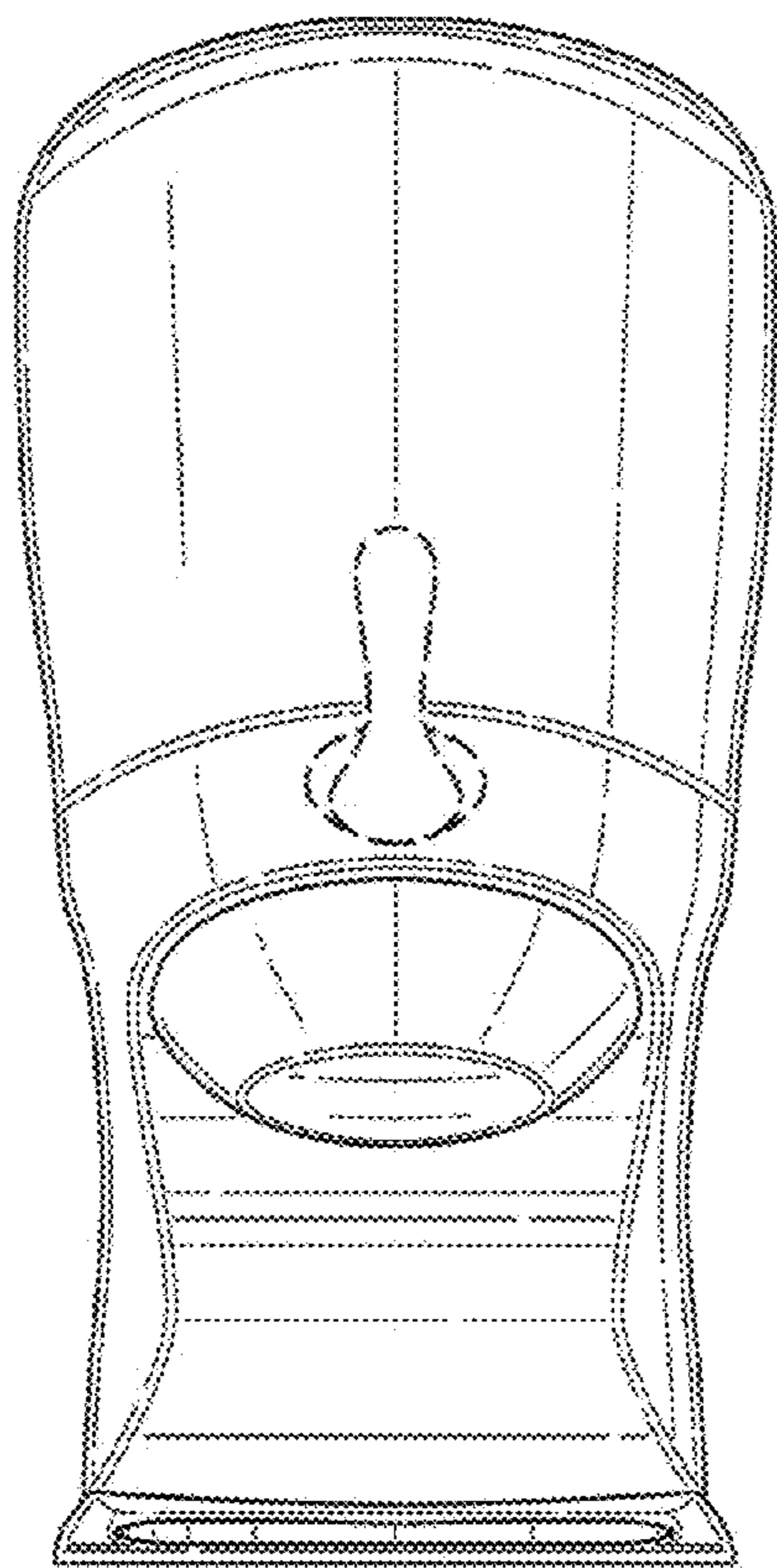


Fig. 2

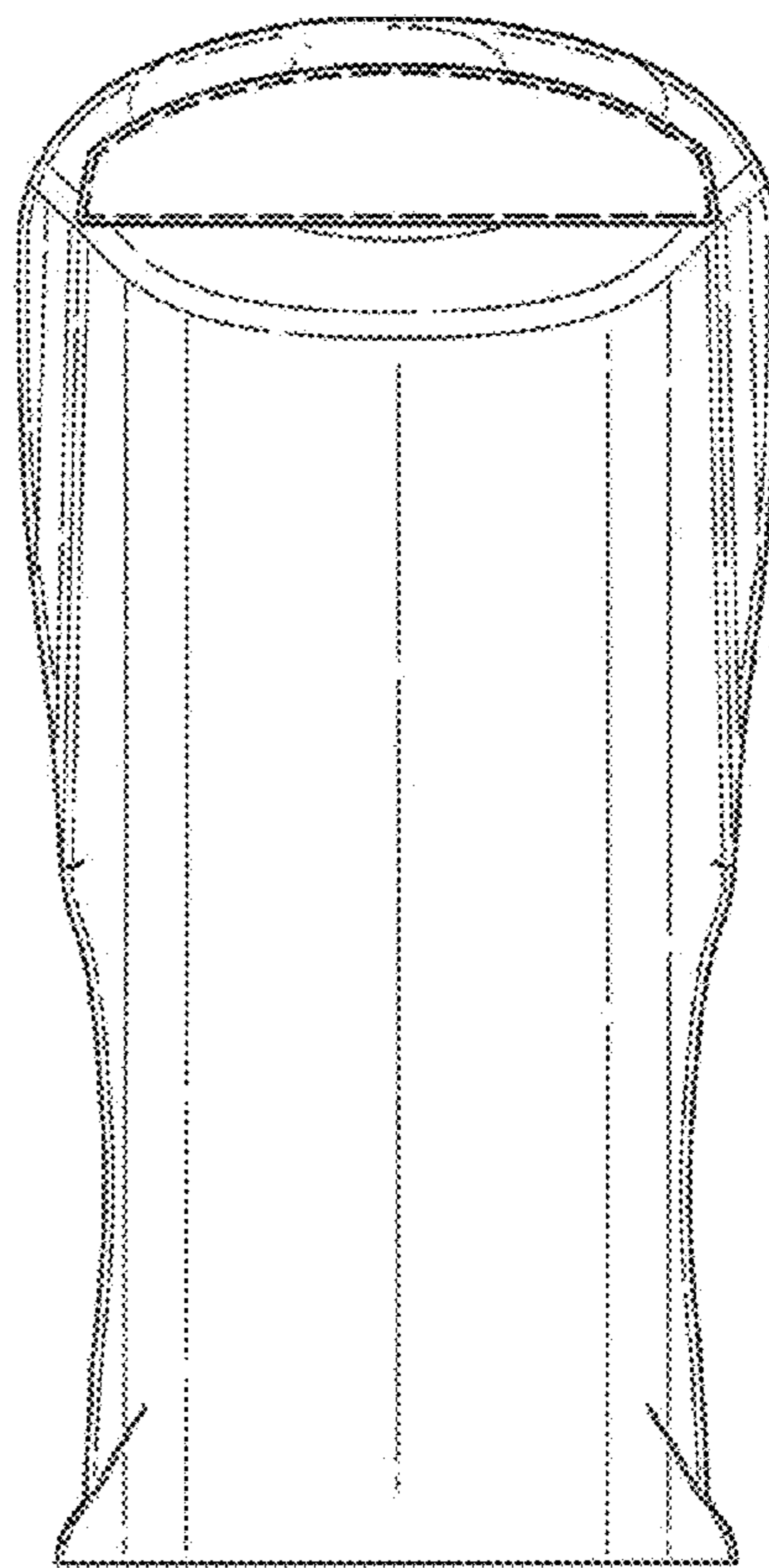


Fig. 3

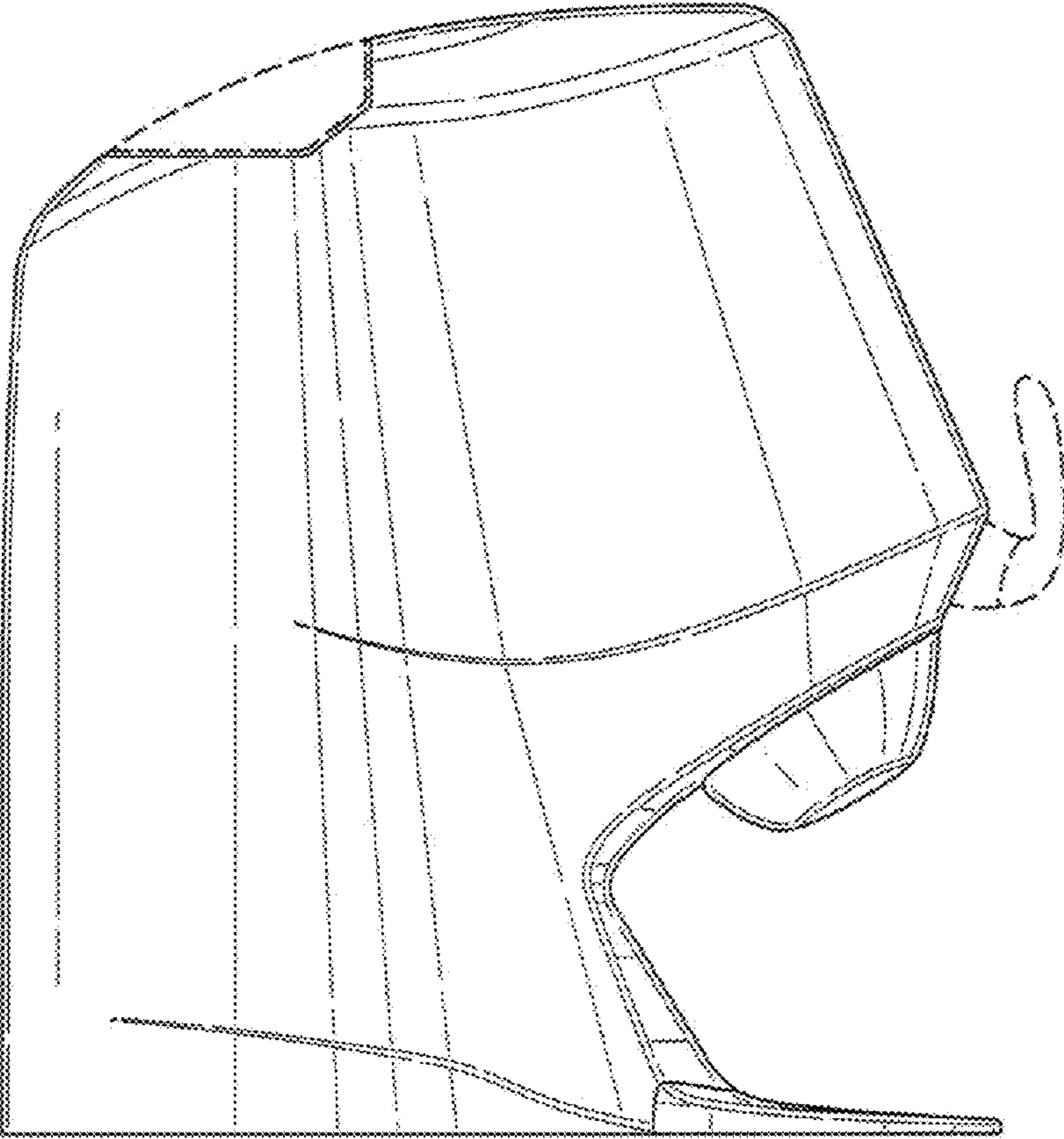


Fig. 4

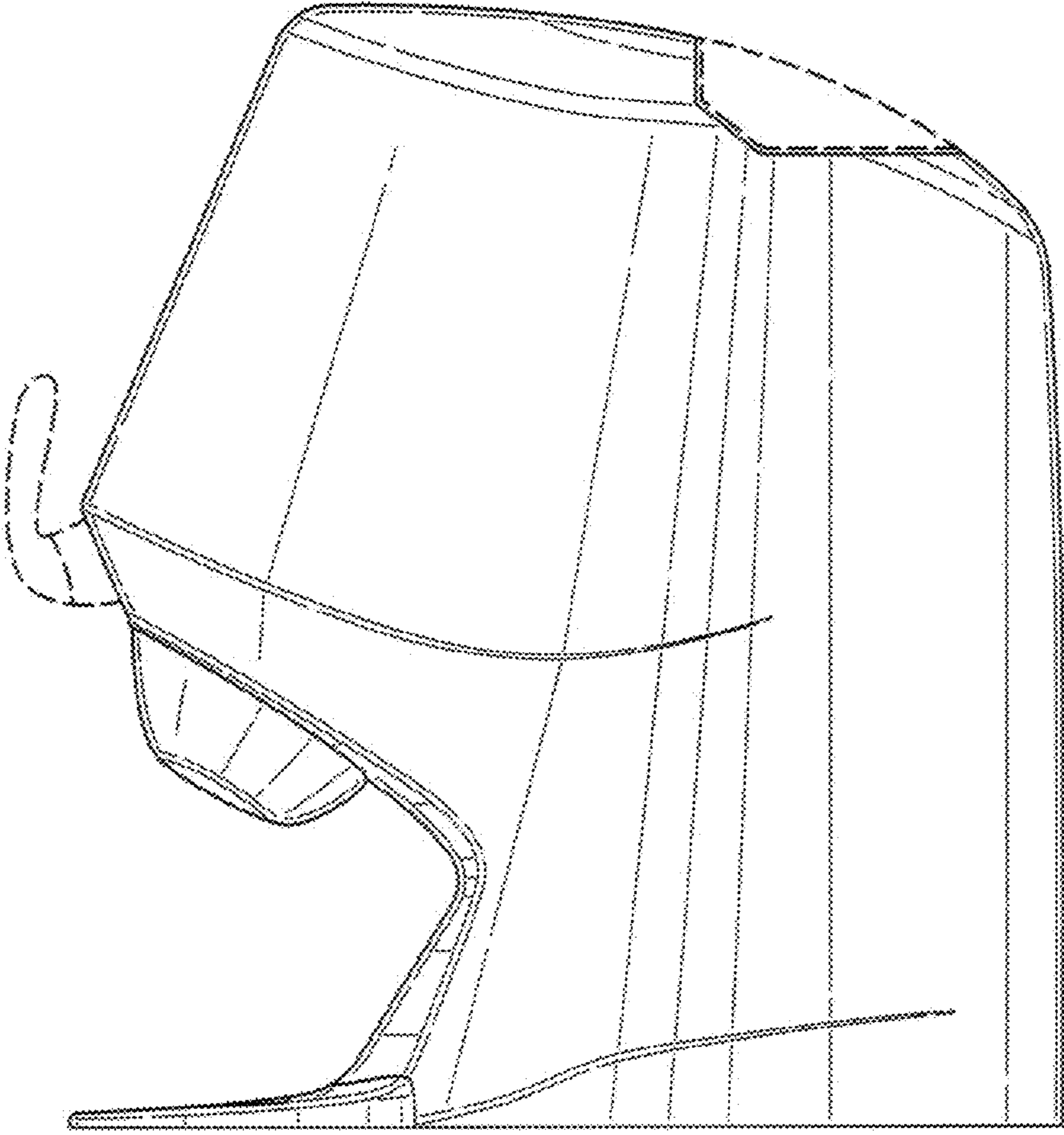


Fig. 5

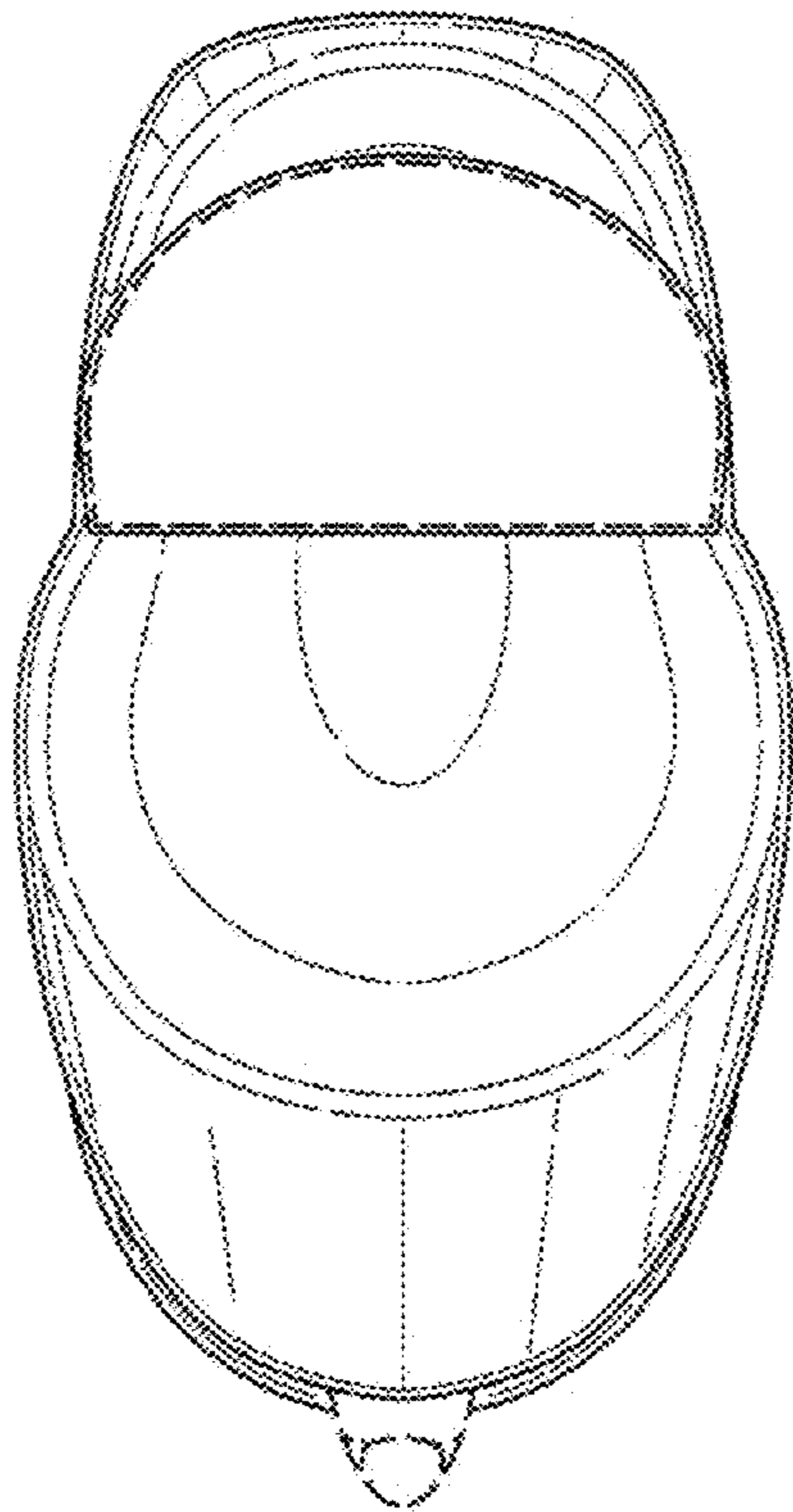


Fig. 6

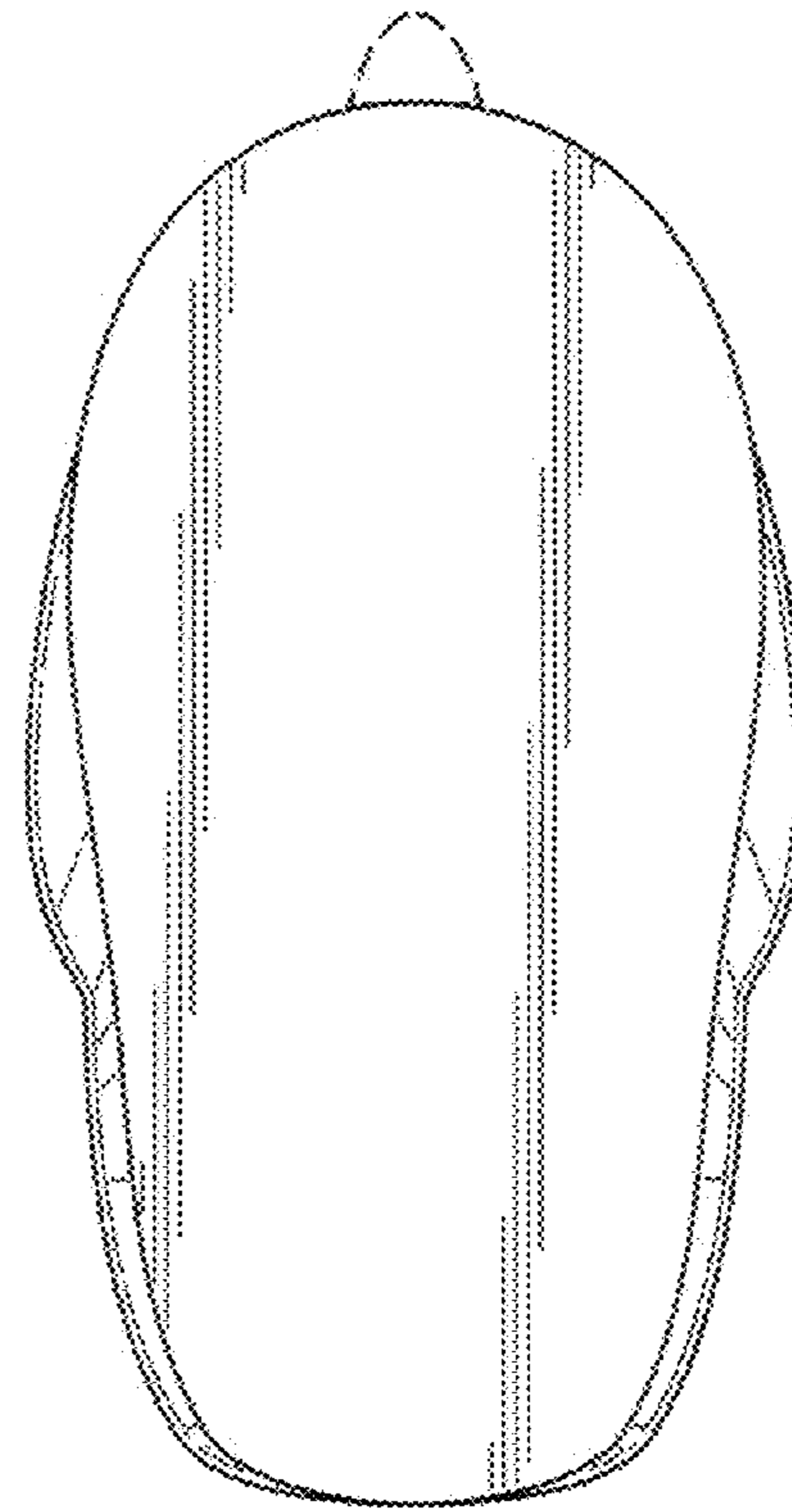


Fig. 7