

US00D671566S

(12) **United States Design Patent**
Fang et al.

(10) **Patent No.:** **US D671,566 S**

(45) **Date of Patent:** **** Nov. 27, 2012**

(54) **CAB FOR A VEHICLE**

(75) Inventors: **Liang Fang**, Wuxi (CN); **Helen Yuan**,
Wuxi (CN); **Sharon Tao**, Wuxi (CN);
Bluce Cheng, Wuxi (CN)

(73) Assignee: **Caterpillar Paving Products Inc.**,
Minneapolis, MN (US)

(**) Term: **14 Years**

(21) Appl. No.: **29/409,101**

(22) Filed: **Dec. 20, 2011**

(30) **Foreign Application Priority Data**

Jun. 22, 2011 (CN) 2011 3 0186028

(51) **LOC (9) Cl.** **15-03**

(52) **U.S. Cl.** **D15/30**

(58) **Field of Classification Search** D15/10,
D15/22-26, 28, 30, 31; 180/89.11, 89.12,
180/89.13, 89.19, 900; 296/190.01, 190.08,
296/210, 190, 202

See application file for complete search history.

(56) **References Cited**

U.S. PATENT DOCUMENTS

D249,523 S *	9/1978	Segales	D15/30
D273,494 S *	4/1984	Hurlburt et al.	D15/30
D275,199 S *	8/1984	Schmidt et al.	D15/30
D288,206 S *	2/1987	Moscovitch	D15/30
D292,632 S *	11/1987	Lich	D34/37
D323,659 S *	2/1992	Jacobsson	D15/30
D348,270 S *	6/1994	Lehmann-Brendel et al.	D15/30
D366,267 S *	1/1996	Lepoix	D15/30
D463,462 S *	9/2002	Yanagida et al.	D15/30

D479,536 S *	9/2003	Dahl et al.	D15/30
D497,920 S *	11/2004	Antonetti	D15/30
D523,029 S *	6/2006	Crawford et al.	D15/30
D528,134 S *	9/2006	Vandendriessche et al.	..	D15/30
D531,647 S *	11/2006	Stender et al.	D15/30
D541,825 S *	5/2007	Pettersson	D15/30
D541,826 S *	5/2007	Brush et al.	D15/30
D561,205 S *	2/2008	Pettersson	D15/30
D579,028 S *	10/2008	VanDeVeer et al.	D15/30
D605,207 S *	12/2009	Menges et al.	D15/30
D614,674 S *	4/2010	Hobenshield et al.	D15/30
D635,156 S *	3/2011	Berning et al.	D15/30
D636,795 S *	4/2011	Yamamoto et al.	D15/30
D637,630 S *	5/2011	Yamamoto et al.	D15/30
D642,205 S *	7/2011	Yamamoto et al.	D15/30

* cited by examiner

Primary Examiner — Mark Goodwin

(74) *Attorney, Agent, or Firm* — Finnegan, Henderson,
Farabow, Garrett & Dunner LLP

(57) **CLAIM**

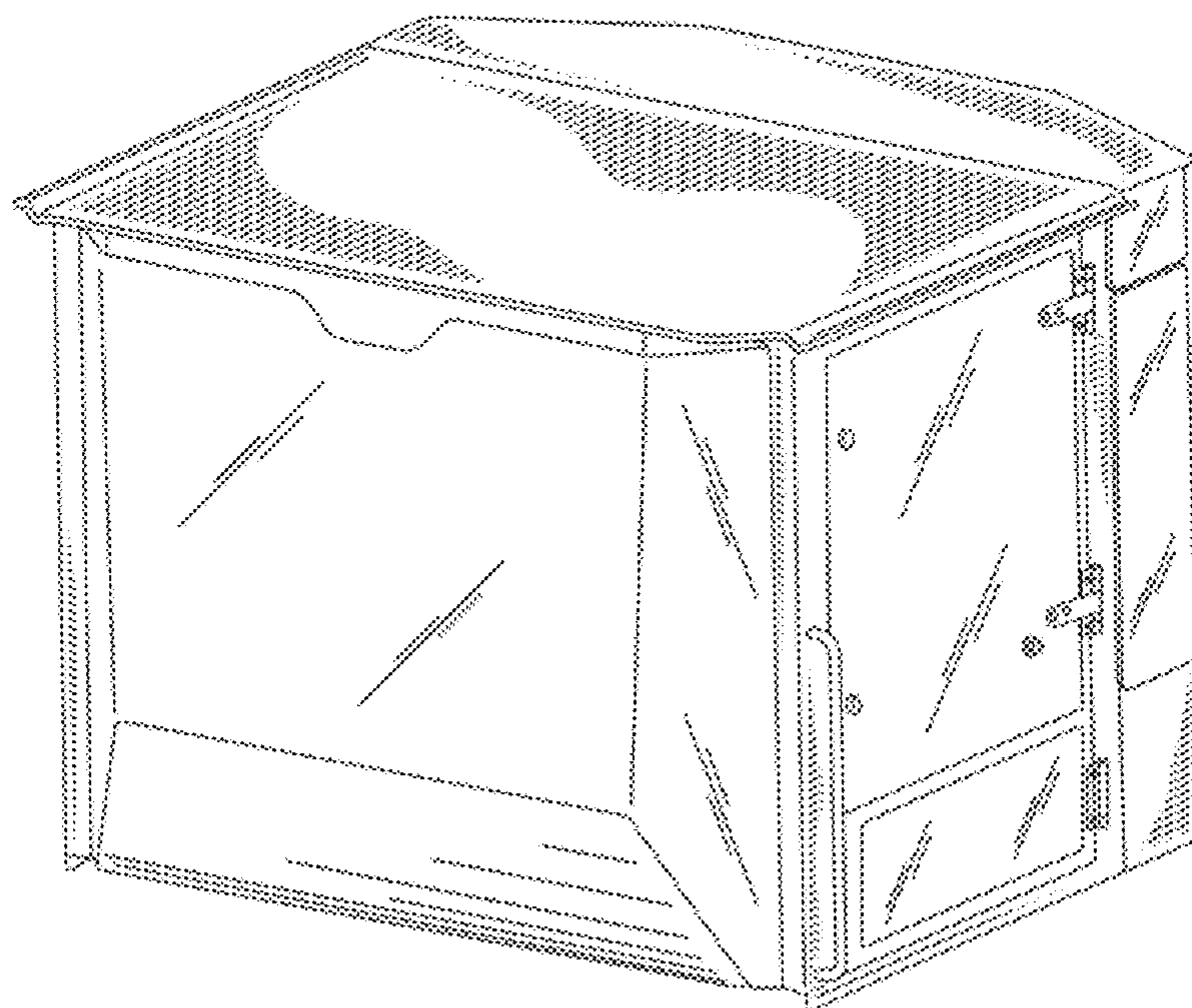
The ornamental design for a cab for a vehicle, as shown and described.

DESCRIPTION

FIG. 1 is a front perspective view of a cab for a vehicle showing my new design;
FIG. 2 is a rear perspective view thereof;
FIG. 3 is a front view thereof;
FIG. 4 is a rear view thereof;
FIG. 5 is a right side view thereof
FIG. 6 is a left side view thereof; and,
FIG. 7 is a top plan view thereof.

The bottom view of the cab for a vehicle is not visible during ordinary use and forms no part of the claimed design.

1 Claim, 7 Drawing Sheets



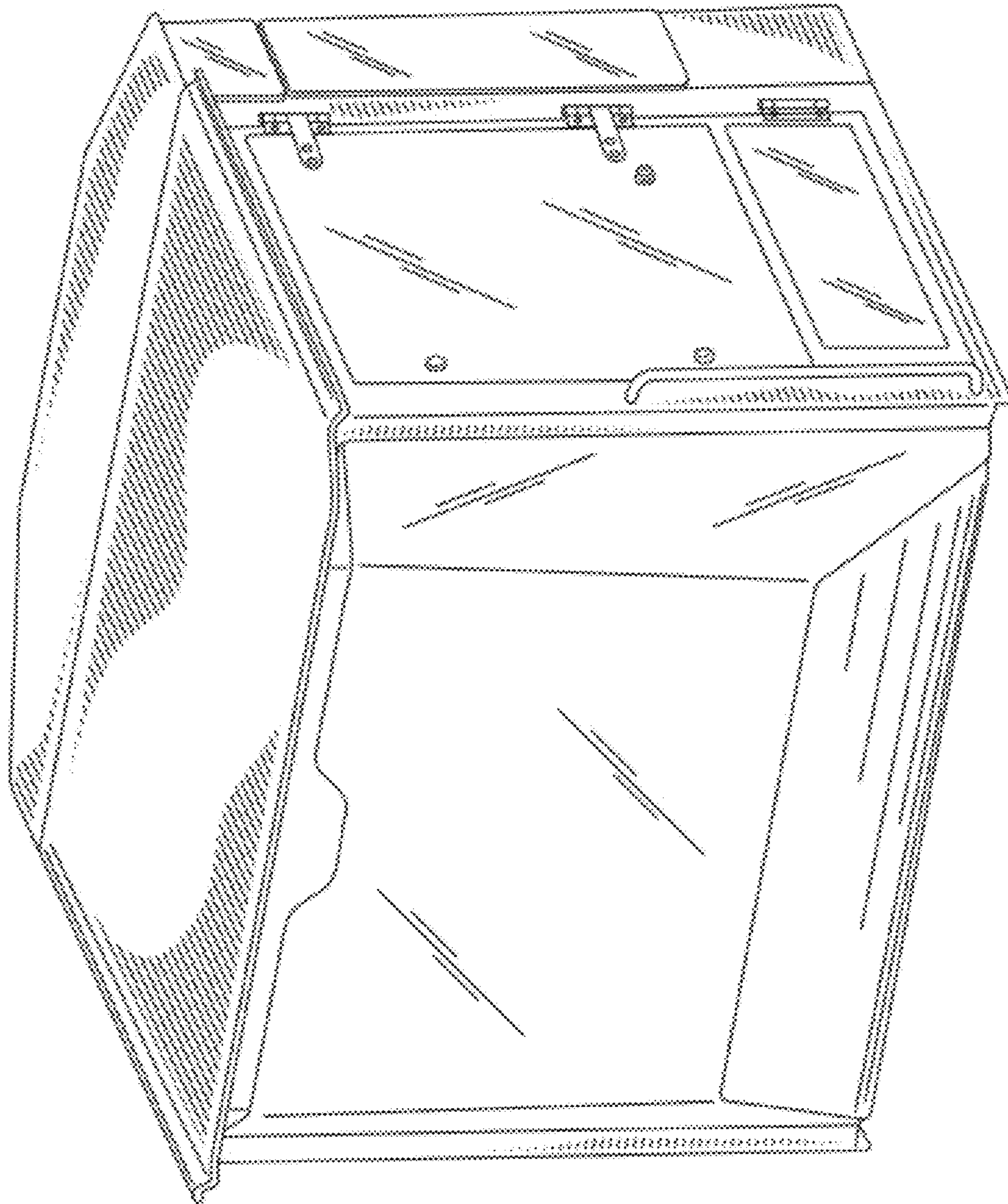


FIG. 1

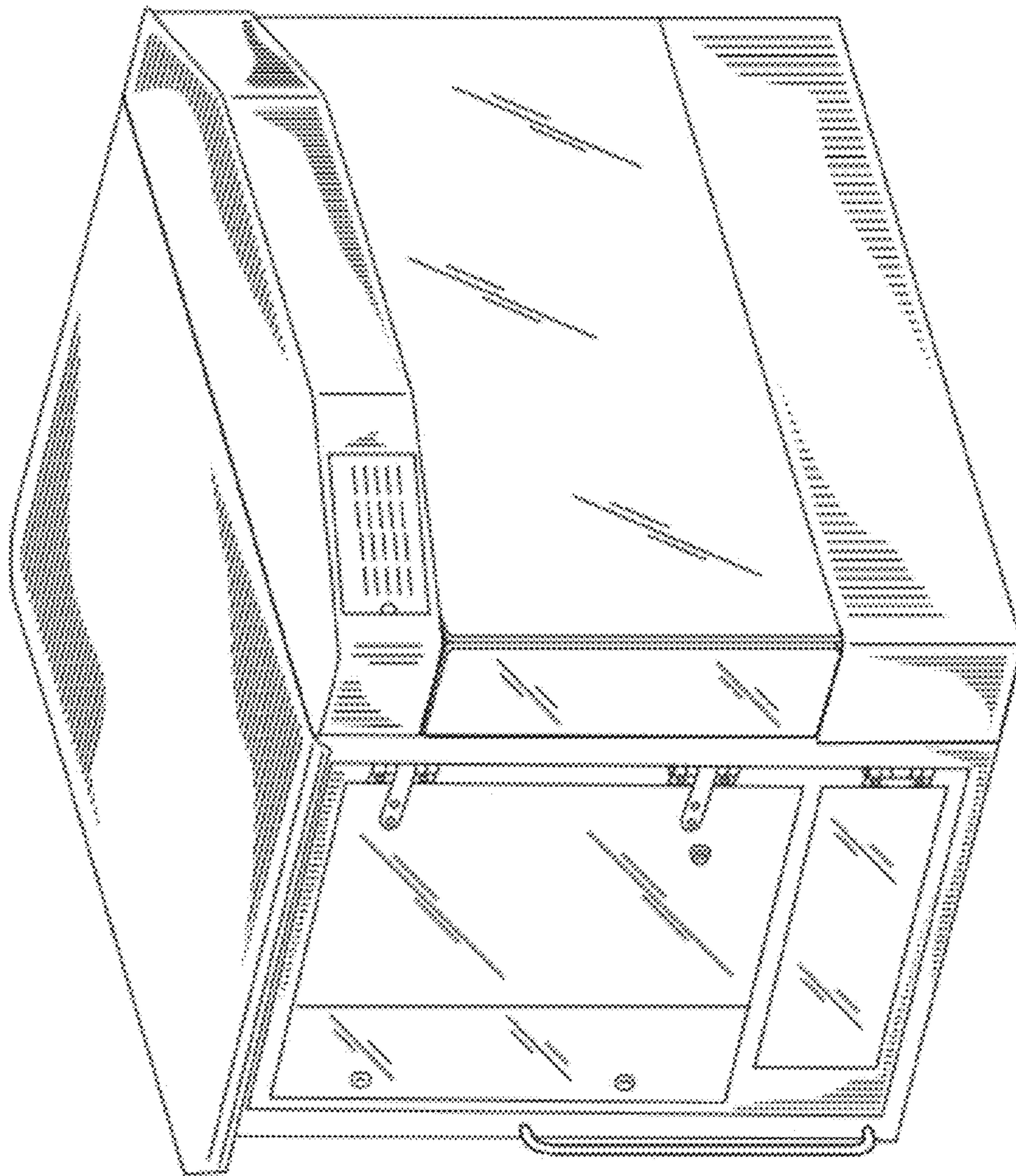


FIG. 2

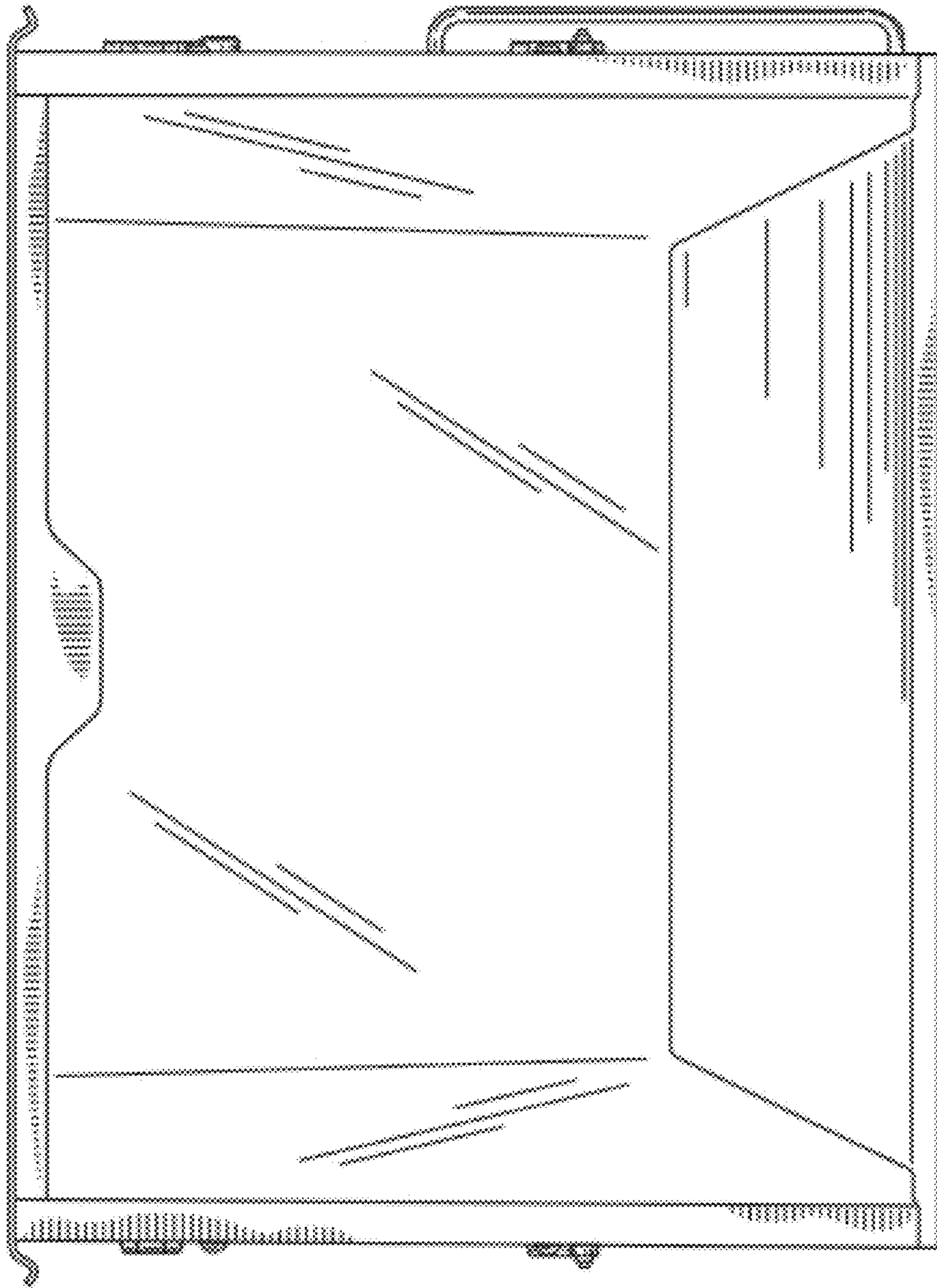


FIG. 3

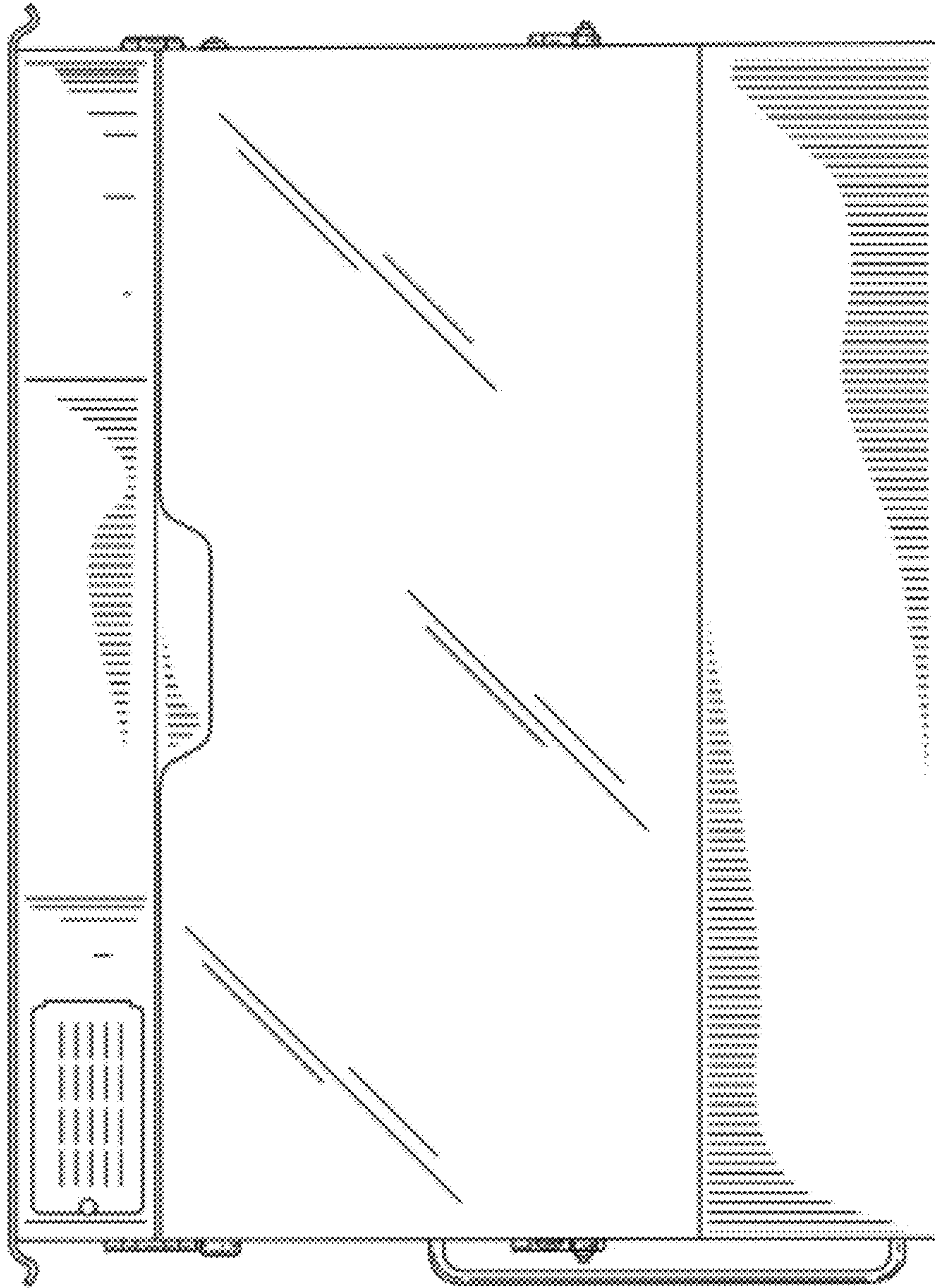


FIG. 4

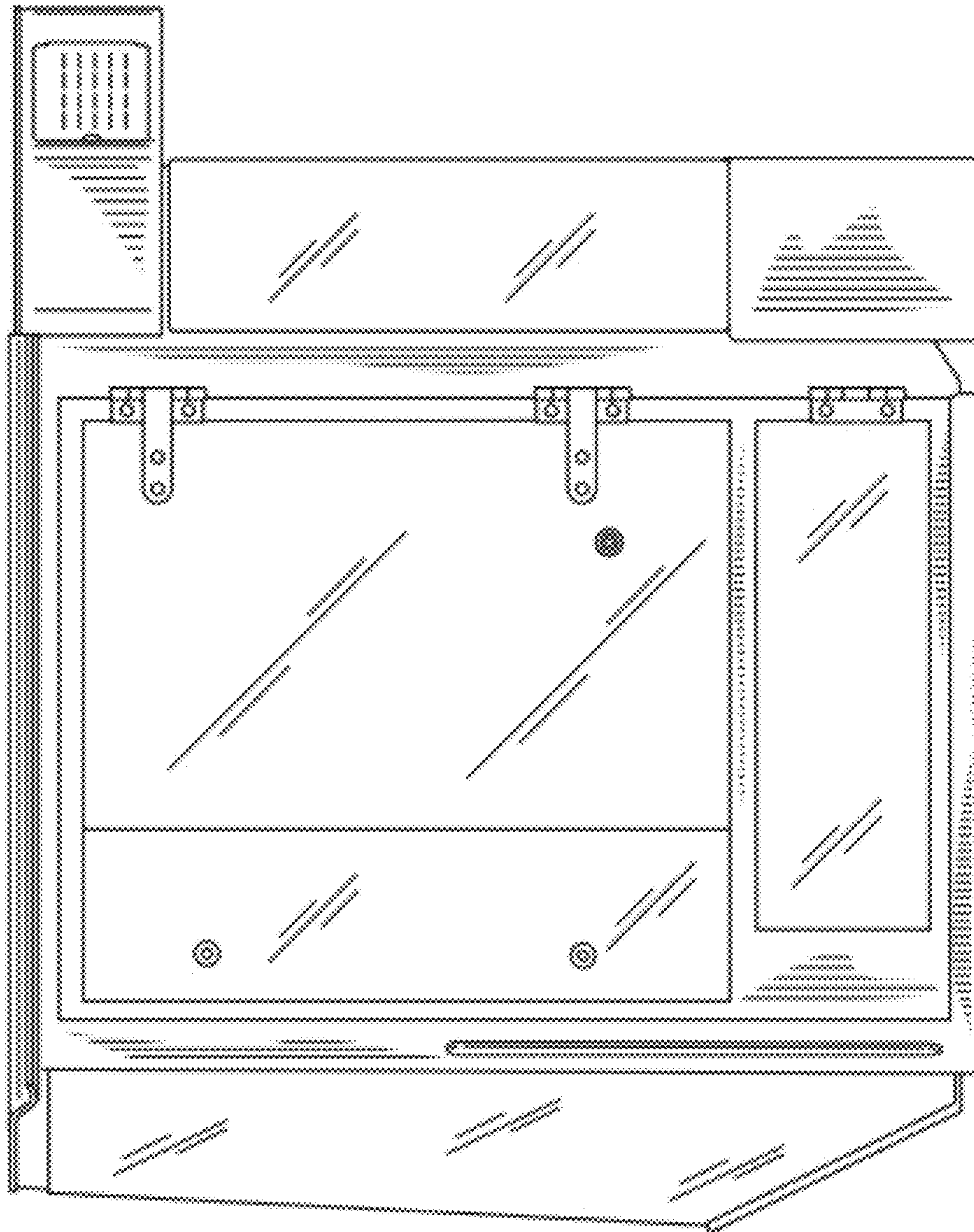


FIG. 5

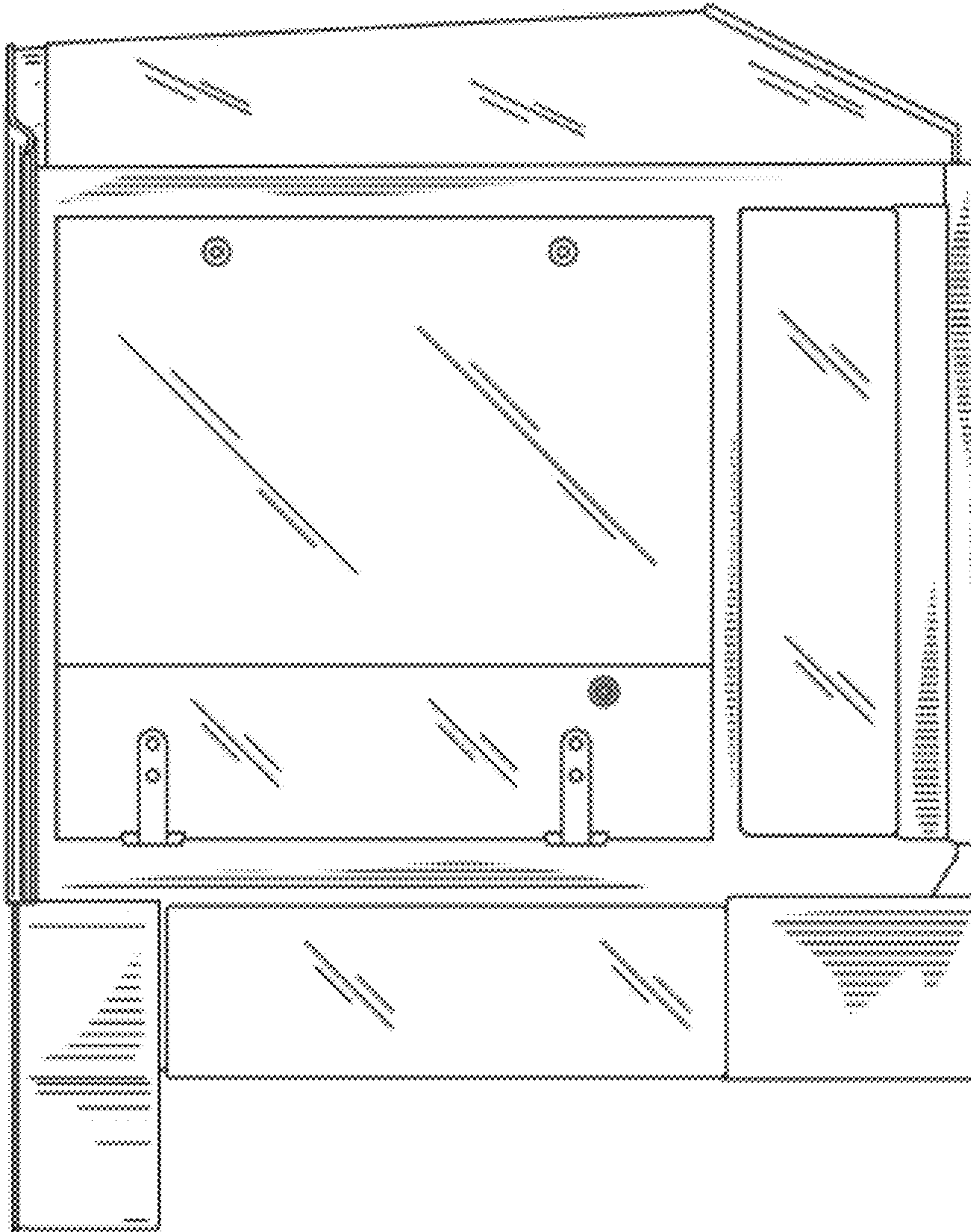


FIG. 6

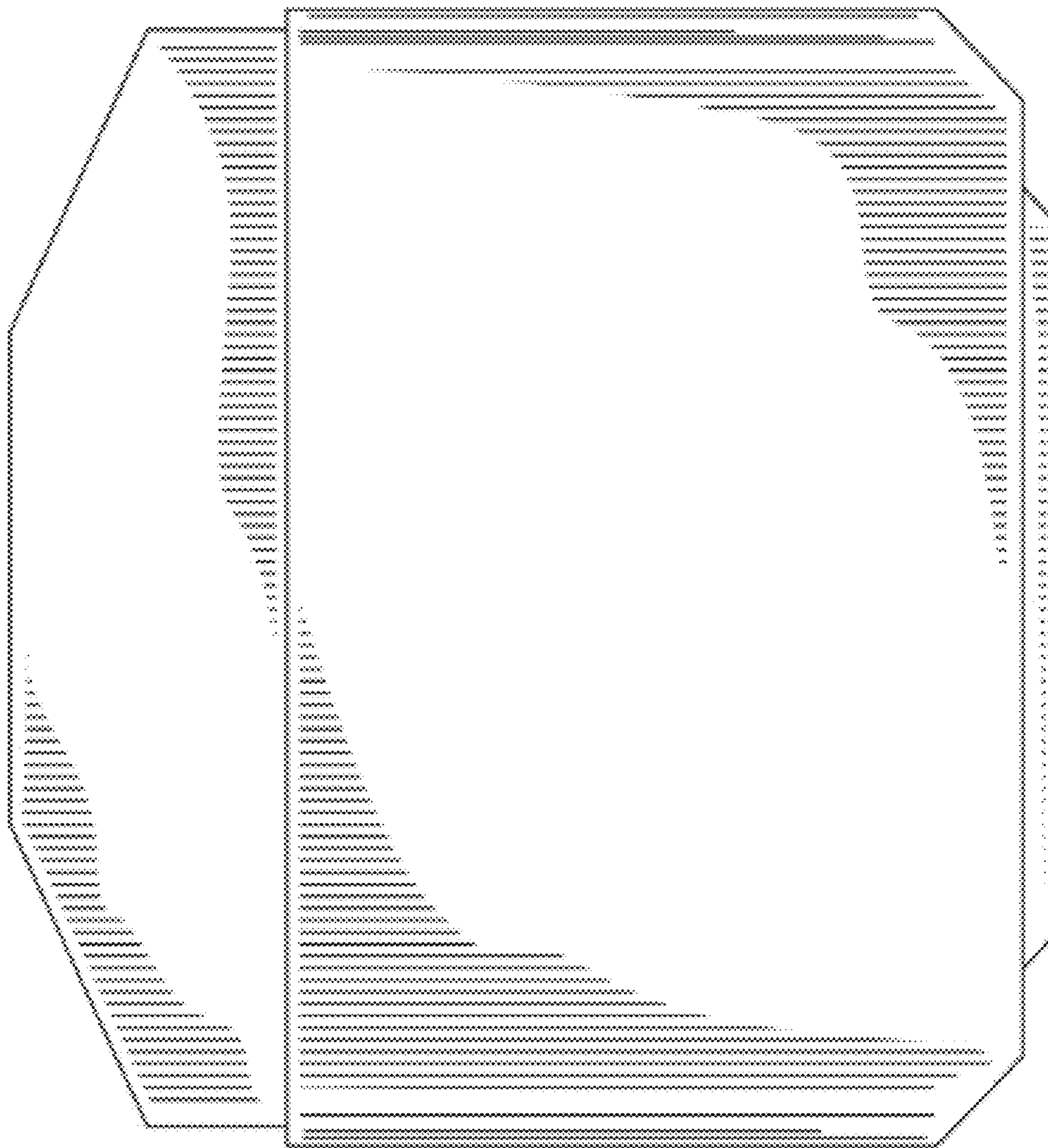


FIG. 7