

US00D671563S

(12) **United States Design Patent**
Moretto

(10) **Patent No.:** **US D671,563 S**
(45) **Date of Patent:** **** Nov. 27, 2012**

(54) **HOPPER**

(75) Inventor: **Renato Moretto**, Masanzago (IT)

(73) Assignee: **Moretto S.p.A.**, Massanzago, Padua (IT)

(**) Term: **14 Years**

(21) Appl. No.: **29/404,431**

(22) Filed: **Oct. 20, 2011**

(30) **Foreign Application Priority Data**

Apr. 20, 2011 (WO) 599372601

(51) **LOC (9) Cl.** **15-03**

(52) **U.S. Cl.** **D15/28**

(58) **Field of Classification Search** D15/21,
D15/28, 10, 19, 122, 126, 199; D30/121;
34/487, 218, 482, 165, 201, 68, 65, 493,
34/232, 659, 171, 174, 83, 78, 219, 79, 86;
222/185.1, 460, 181, 71-73, 613; 219/697
See application file for complete search history.

(56) **References Cited**

U.S. PATENT DOCUMENTS

1,547,400	A *	7/1925	Kimber	34/174
RE18,768	E *	3/1933	Edland	366/168.1
2,525,973	A *	10/1950	Sundstrom et al.	222/413
2,548,262	A *	4/1951	Hintz	34/171
3,634,949	A *	1/1972	Louks	34/174
3,849,901	A *	11/1974	Sietmann et al.	34/526
3,875,683	A *	4/1975	Waters	34/174
3,943,636	A *	3/1976	Sietmann et al.	34/526
D245,006	S *	7/1977	Mills	D15/19
4,213,571	A *	7/1980	Deardorff et al.	241/48
D260,651	S *	9/1981	Gibbons	D15/199
4,418,845	A *	12/1983	Hehl	222/162
4,545,509	A *	10/1985	Musschoot et al.	222/198
4,653,199	A *	3/1987	McLeod et al.	34/80

4,690,305	A *	9/1987	Copeland	222/52
D303,265	S *	9/1989	Miyoshi et al.	D15/122
4,956,821	A *	9/1990	Fenelon	366/8
4,999,033	A *	3/1991	Roberts et al.	96/125
D319,832	S *	9/1991	Ross	D15/19
D322,972	S *	1/1992	St. Ama	D15/19
5,181,633	A *	1/1993	Weber et al.	222/195
D335,293	S *	5/1993	Pingry et al.	D15/28
5,339,996	A *	8/1994	Dubbert et al.	222/185.1
5,505,537	A *	4/1996	Previero	366/97
5,609,417	A *	3/1997	Otte	366/137
D402,670	S *	12/1998	Becker	D15/13
D408,039	S *	4/1999	Markee	D15/28
6,289,606	B2 *	9/2001	Gillette et al.	34/472
D459,365	S *	6/2002	Myers et al.	D15/19
6,405,454	B1 *	6/2002	Kramer et al.	34/586
D512,538	S *	12/2005	Bird et al.	D30/121
D555,322	S *	11/2007	Hlady et al.	D34/28
D588,166	S *	3/2009	Lyons, III	D15/19
D597,108	S *	7/2009	Dore	D15/126
7,568,297	B2 *	8/2009	Pierson et al.	34/218

(Continued)

Primary Examiner — Mark Goodwin

(74) *Attorney, Agent, or Firm* — Shoemaker and Mattare

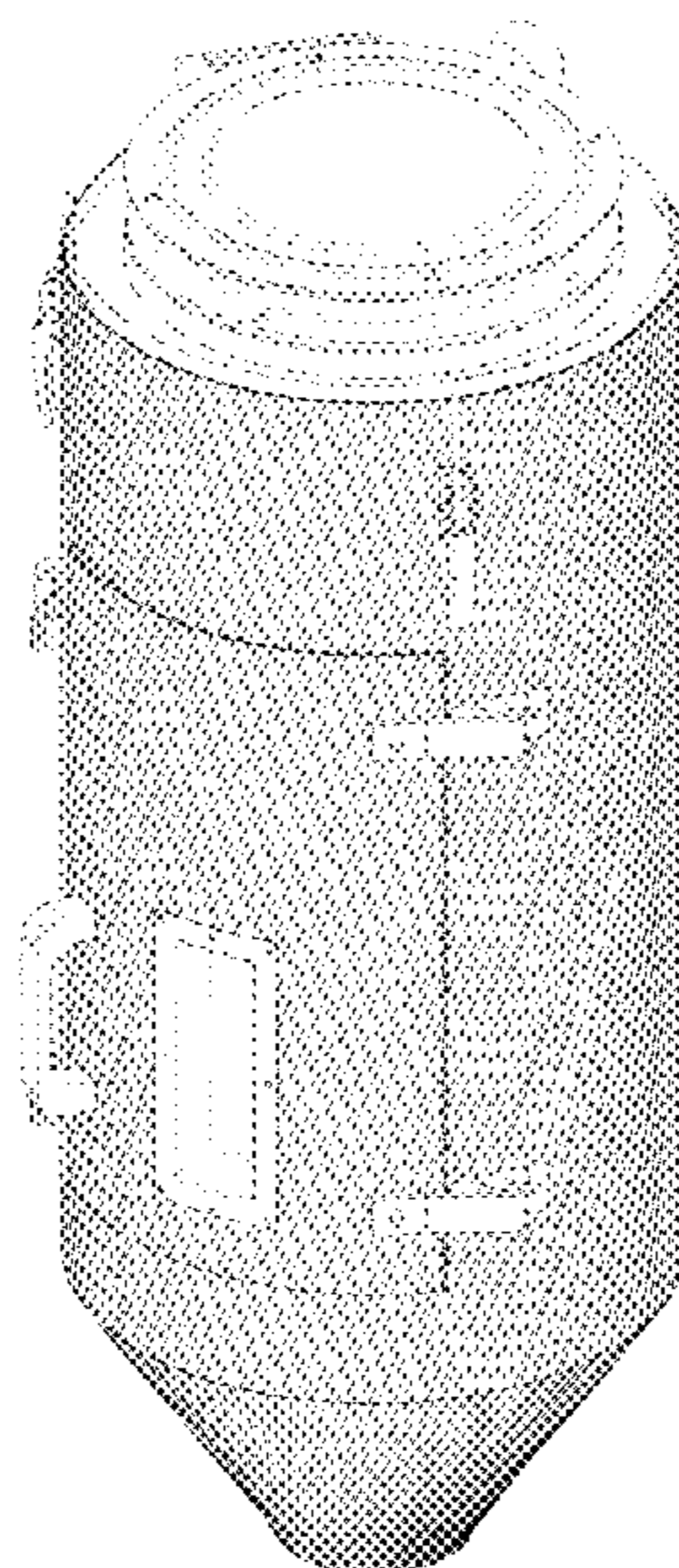
(57) **CLAIM**

The ornamental design for a hopper, as shown and described.

DESCRIPTION

FIG. 1 is a top front side perspective view of a hopper showing my new design;
FIG. 2 is a front elevational view thereof;
FIG. 3 is a sectional view taken on the plane 3-3 in FIG. 2;
FIG. 4 is a top plan view thereof;
FIG. 5 is a bottom plan view thereof;
FIG. 6 is an enlarged view of a portion of FIG. 2; and,
FIG. 7 is an enlargement of a portion of FIG. 3.
Features shown in broken lines form no part of the design.

1 Claim, 7 Drawing Sheets



US D671,563 S

Page 2

U.S. PATENT DOCUMENTS

D647,253	S *	10/2011	Meritt	D30/121	2010/0107434	A1 *	5/2010	Shimoda et al.	34/168
8,201,520	B2 *	6/2012	Meritt	119/53	2010/0168409	A1 *	7/2010	Fujita	536/58
2008/0279641	A1 *	11/2008	Critelli	406/137	2010/0217445	A1 *	8/2010	Moretto	700/282
2009/0090019	A1 *	4/2009	Moretto	34/78	2011/0163133	A1 *	7/2011	Moretto	222/460
2009/0205219	A1 *	8/2009	Moretto	34/482	2012/0030964	A1 *	2/2012	Moretto	34/487

* cited by examiner

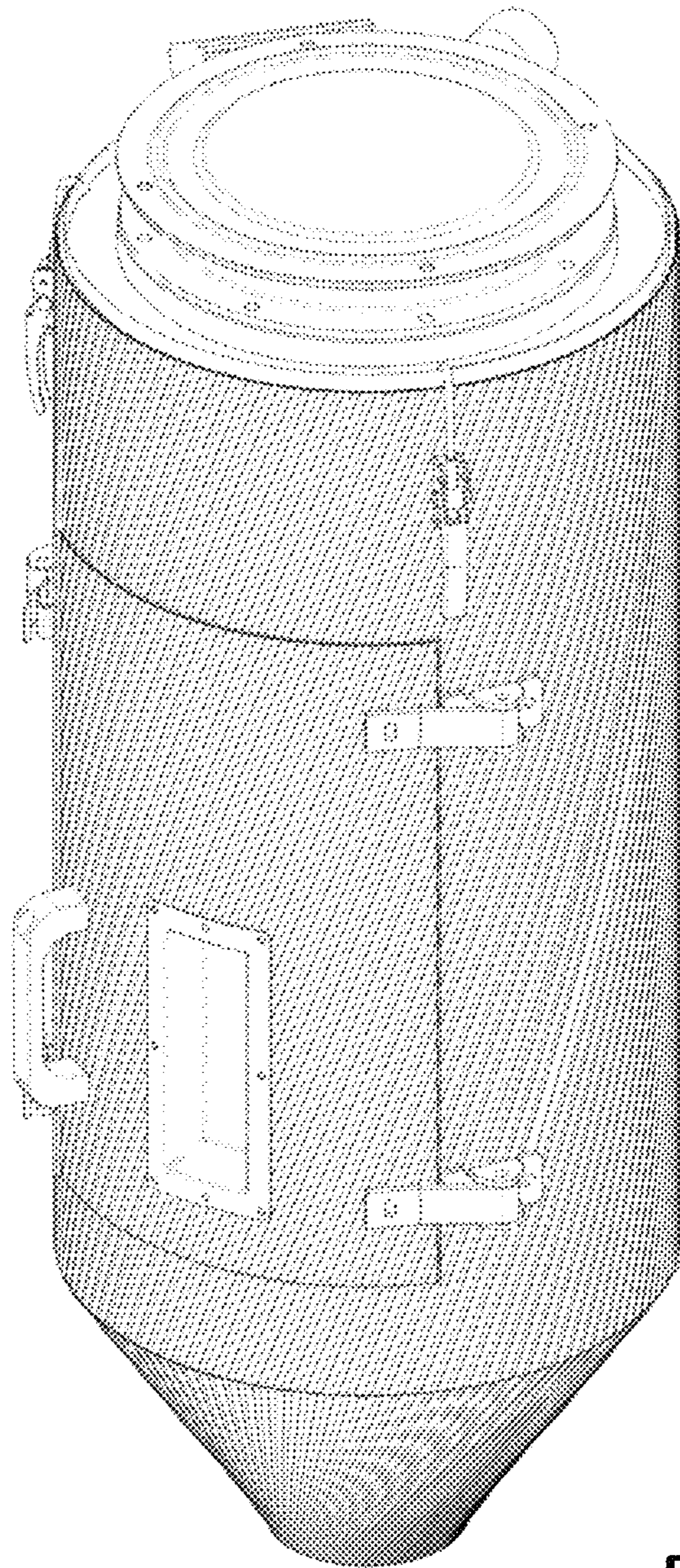


Fig. 1

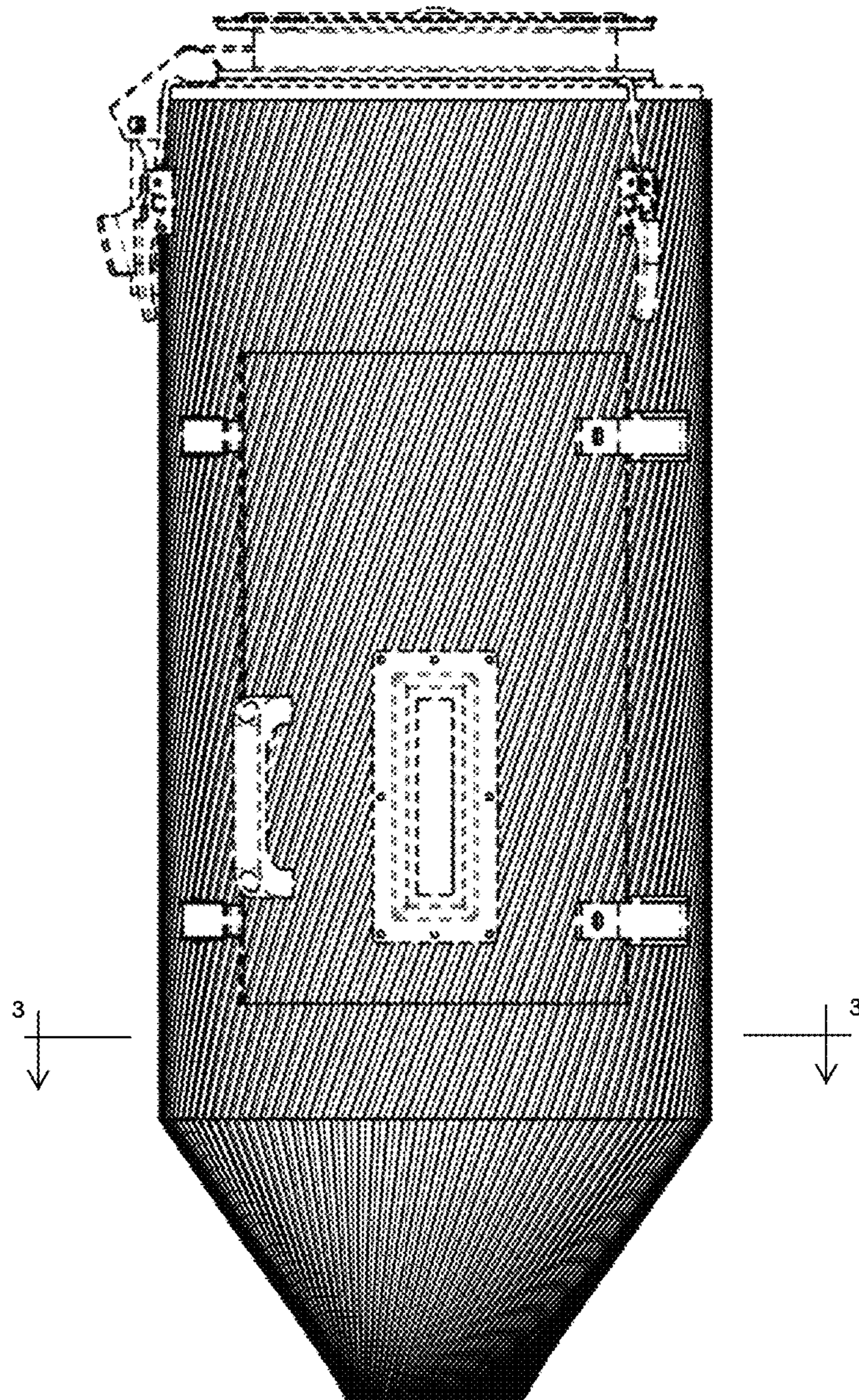


Fig. 2

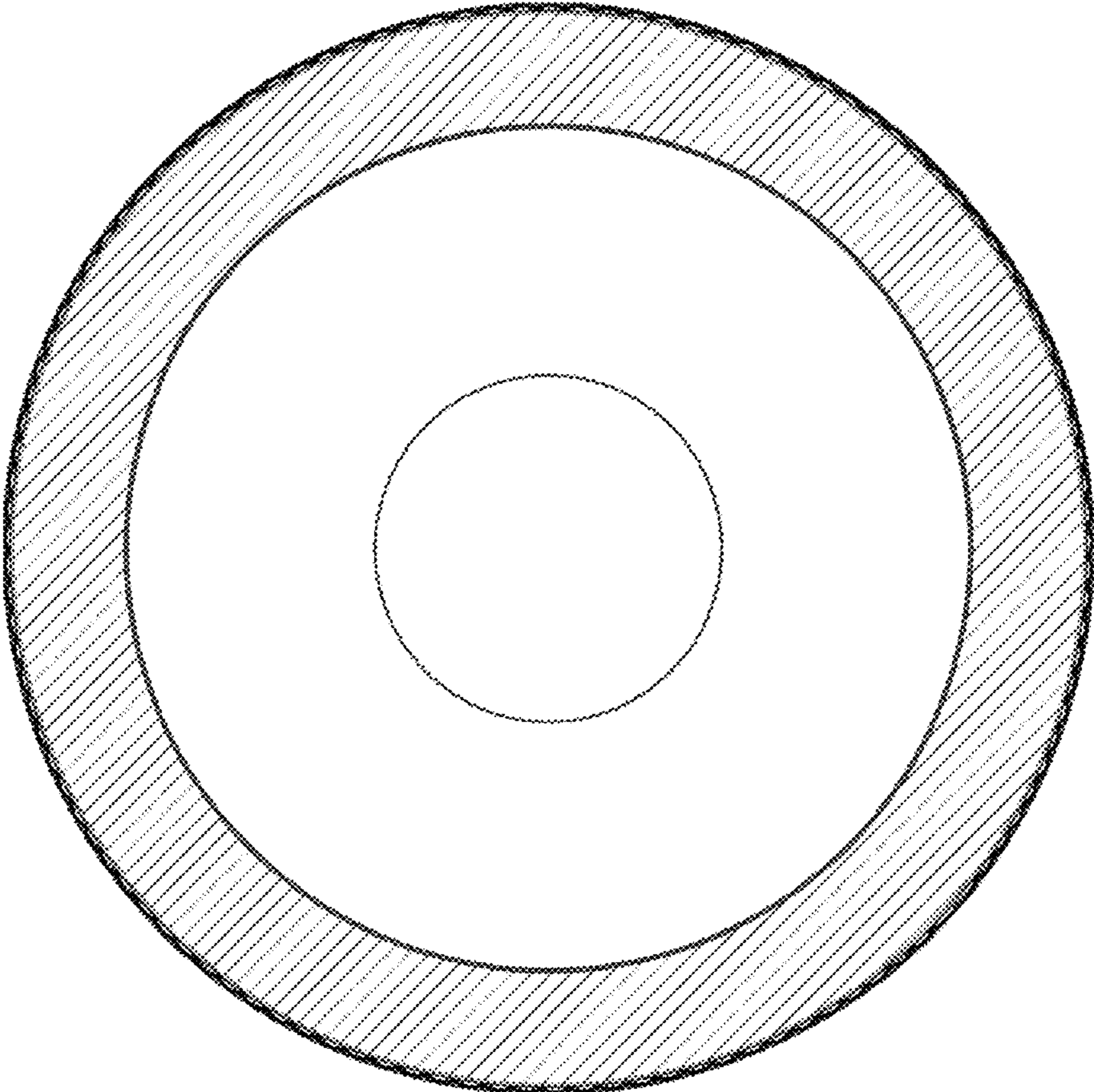


Fig. 3

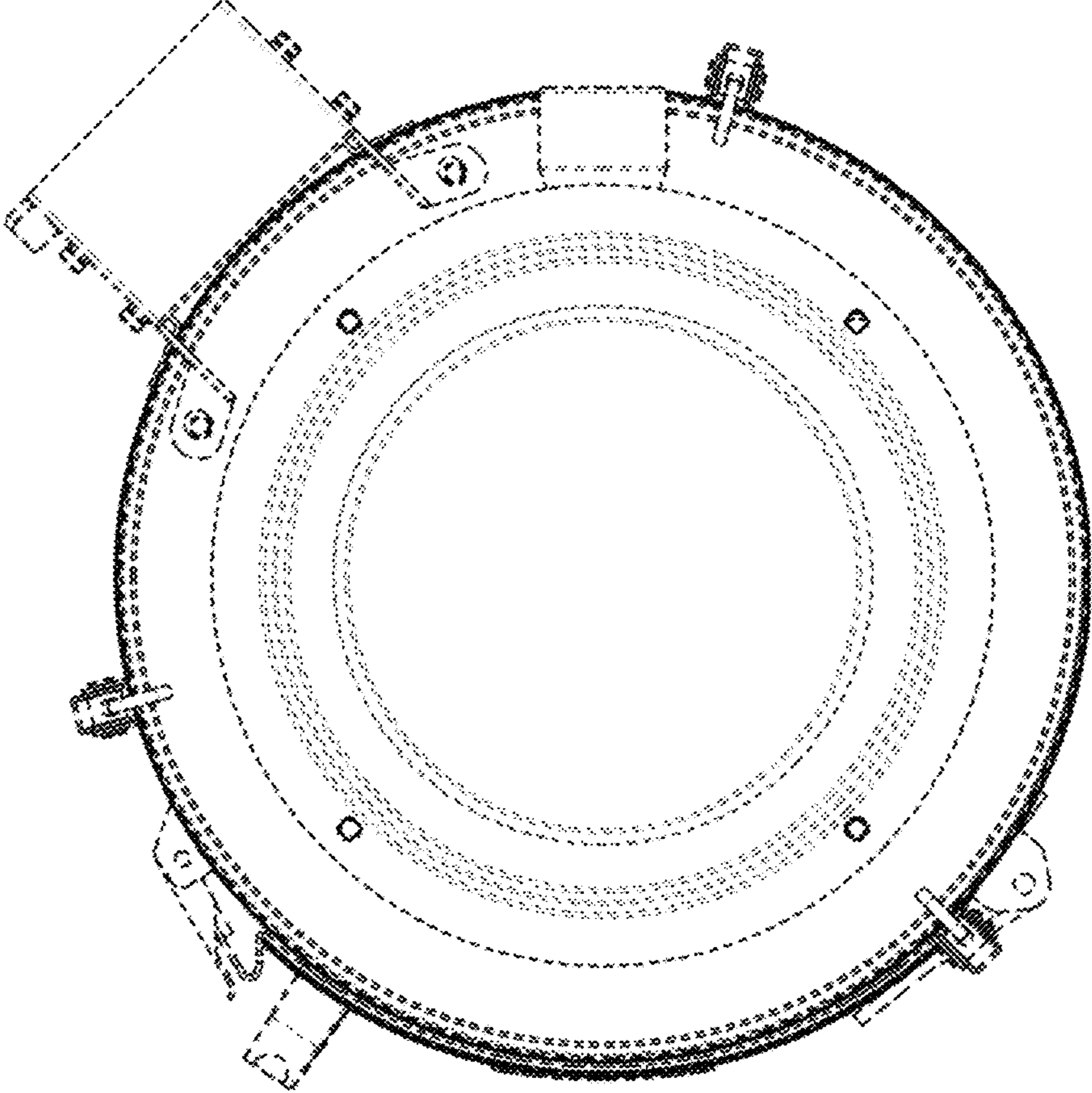


Fig. 4

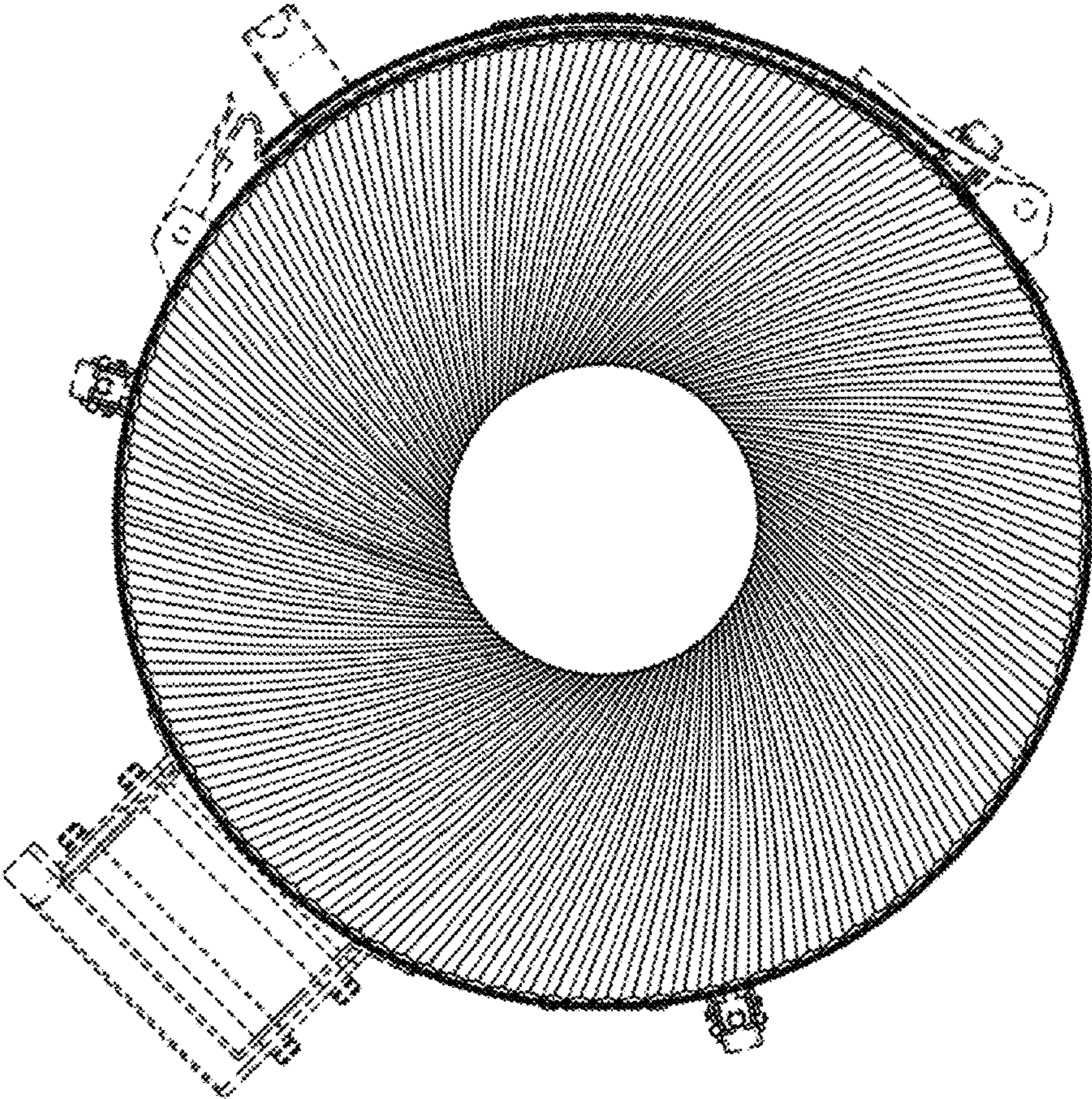


Fig. 5

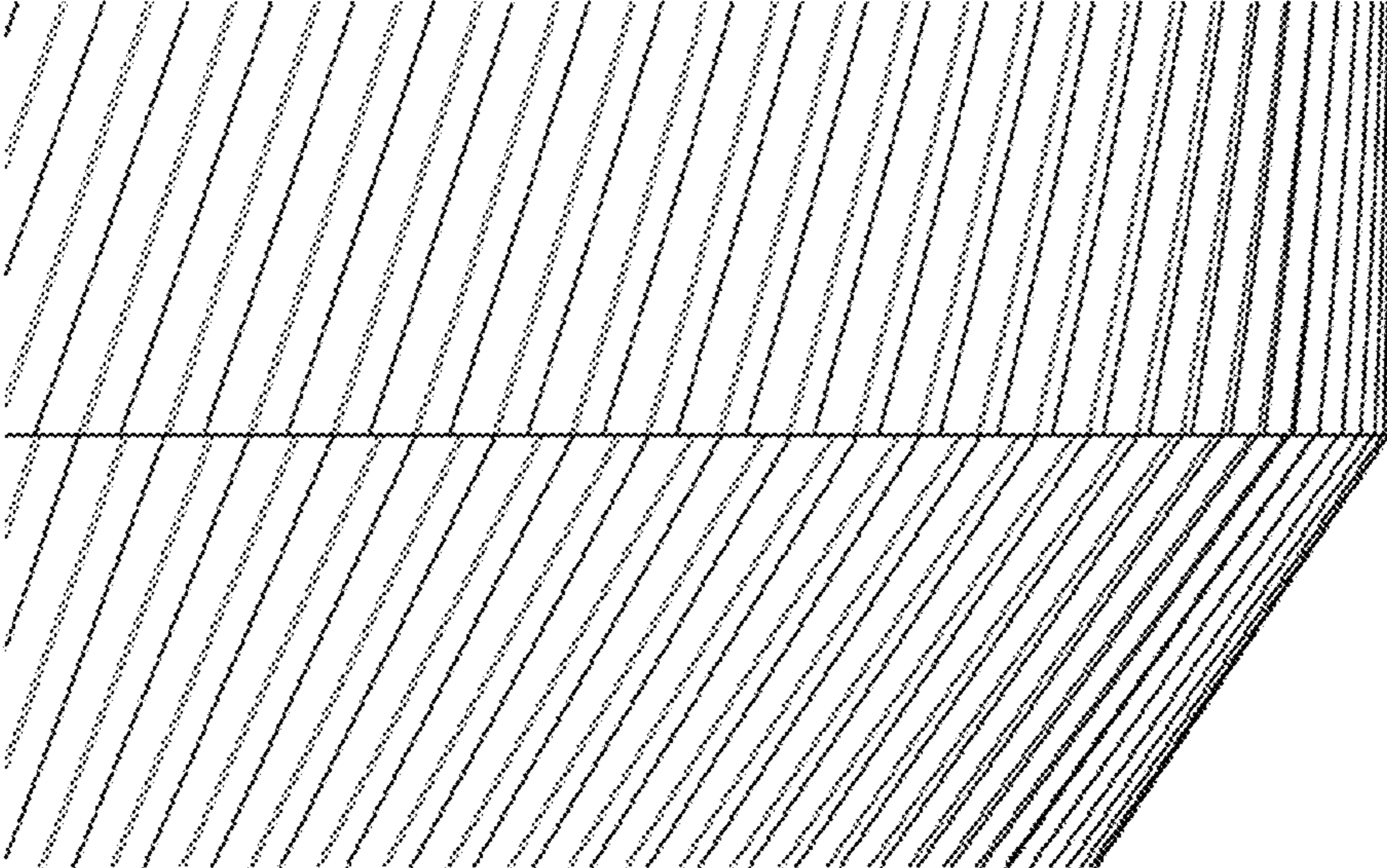


Fig. 6



Fig. 7