



US00D671562S

(12) **United States Design Patent**
Adamson et al.

(10) **Patent No.:** **US D671,562 S**
(45) **Date of Patent:** **** Nov. 27, 2012**

(54) **TRACTOR**

(75) Inventors: **William Adamson**, Naperville, IL (US);
Thomas Chlystek, Darien, IL (US);
Carl J. Hagele, The Villages, FL (US);
Richard J. Hagele, legal representative,
The Villages, FL (US); **Jay Larson**,
Fargo, ND (US); **Aaron Richard**,
Berwyn, IL (US); **Russell Stoltman**,
Argusville, ND (US)

(73) Assignee: **CNH America LLC**, New Holland, PA
(US)

(**) Term: **14 Years**

(21) Appl. No.: **29/409,360**

(22) Filed: **Dec. 22, 2011**

(51) **LOC (9) Cl.** **12-09**

(52) **U.S. Cl.** **D15/23; D15/26**

(58) **Field of Classification Search** D15/10,
D15/14-17, 22-26; 56/13.4, 13.3, 15.8,
56/15.9, 16.1, 16.7, 175, 202; 180/89.1,
180/89.12, 900

See application file for complete search history.

(56) **References Cited**

U.S. PATENT DOCUMENTS

D247,624 S * 3/1978 Emundts et al. D15/23
D256,017 S * 7/1980 Emundts et al. D15/23

D274,524 S * 7/1984 Koval et al. D15/23
D329,435 S * 9/1992 Katoh et al. D15/23
D387,068 S * 12/1997 Kato et al. D15/23
D391,581 S * 3/1998 Kato et al. D15/23
D440,234 S * 4/2001 Katoh et al. D15/23
D498,245 S * 11/2004 Kuwae et al. D15/23
D519,130 S * 4/2006 Higashikawa et al. D15/23
D519,131 S * 4/2006 Kuwae et al. D15/23
D527,026 S * 8/2006 Kuwae et al. D15/23
D555,674 S * 11/2007 Kuwae et al. D15/23
D564,544 S * 3/2008 Higashikawa et al. D15/23
D602,047 S * 10/2009 Kushita et al. D15/23
D604,749 S * 11/2009 Kushita et al. D15/23

* cited by examiner

Primary Examiner — Mark Goodwin

(74) *Attorney, Agent, or Firm* — Sue C. Watson

(57) **CLAIM**

The ornamental design for a tractor, as shown and described.

DESCRIPTION

FIG. 1 is a perspective view of a tractor showing our new design;

FIG. 2 is a left side elevational view thereof;

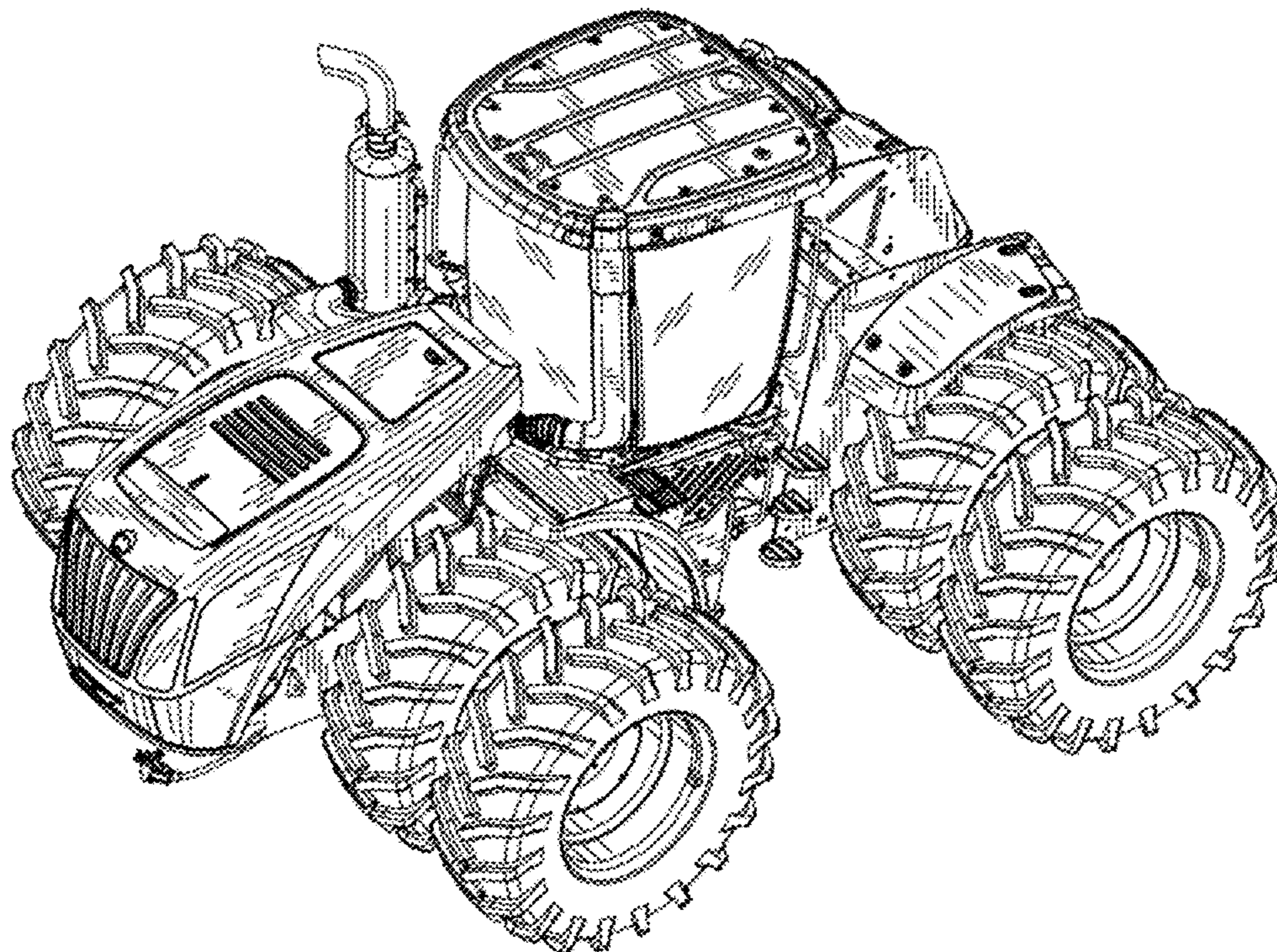
FIG. 3 is a front elevational view thereof;

FIG. 4 is a right side elevational view thereof;

FIG. 5 is a back elevational view thereof; and,

FIG. 6 is a top plan view thereof.

1 Claim, 6 Drawing Sheets



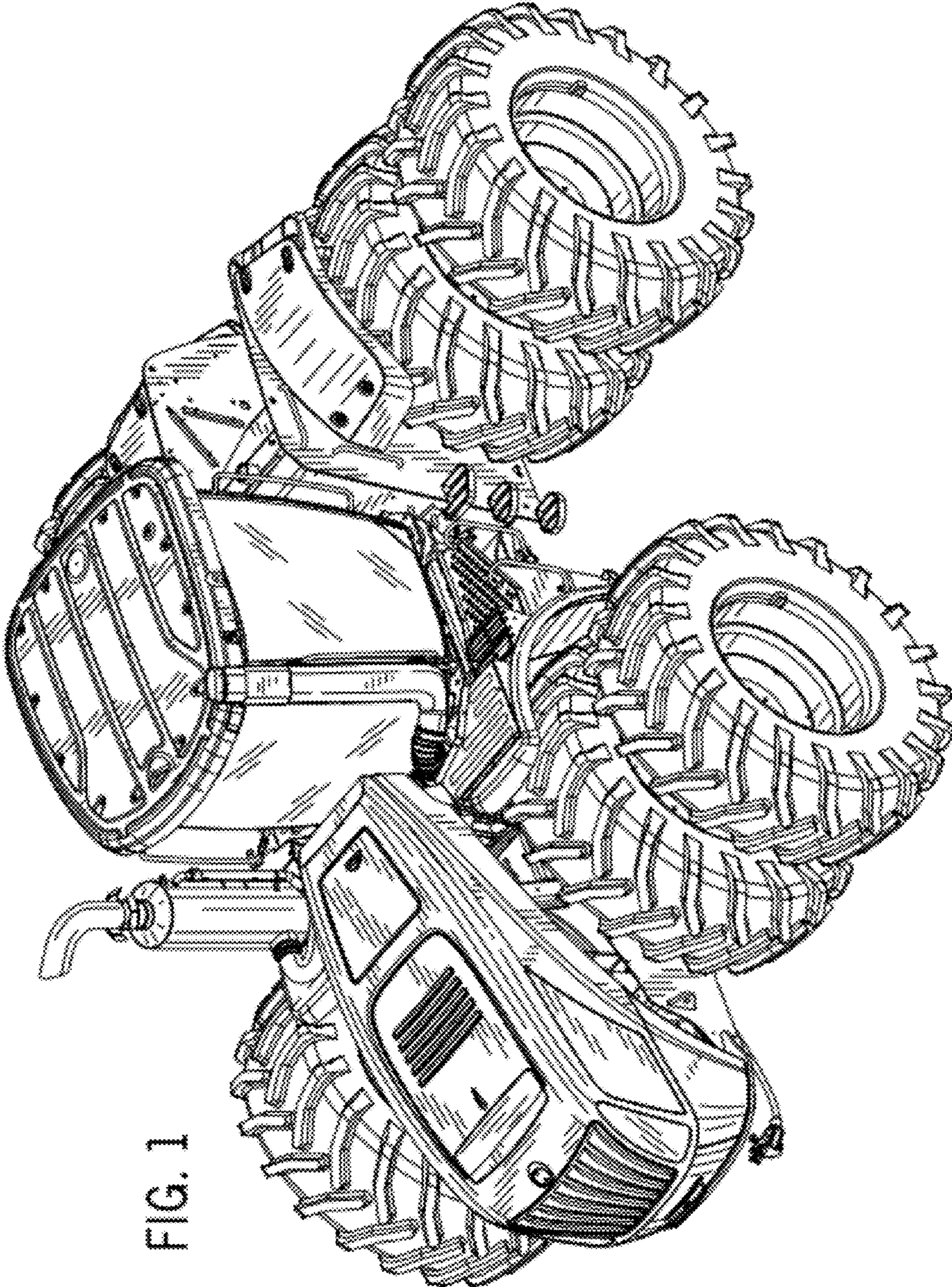


FIG. 1

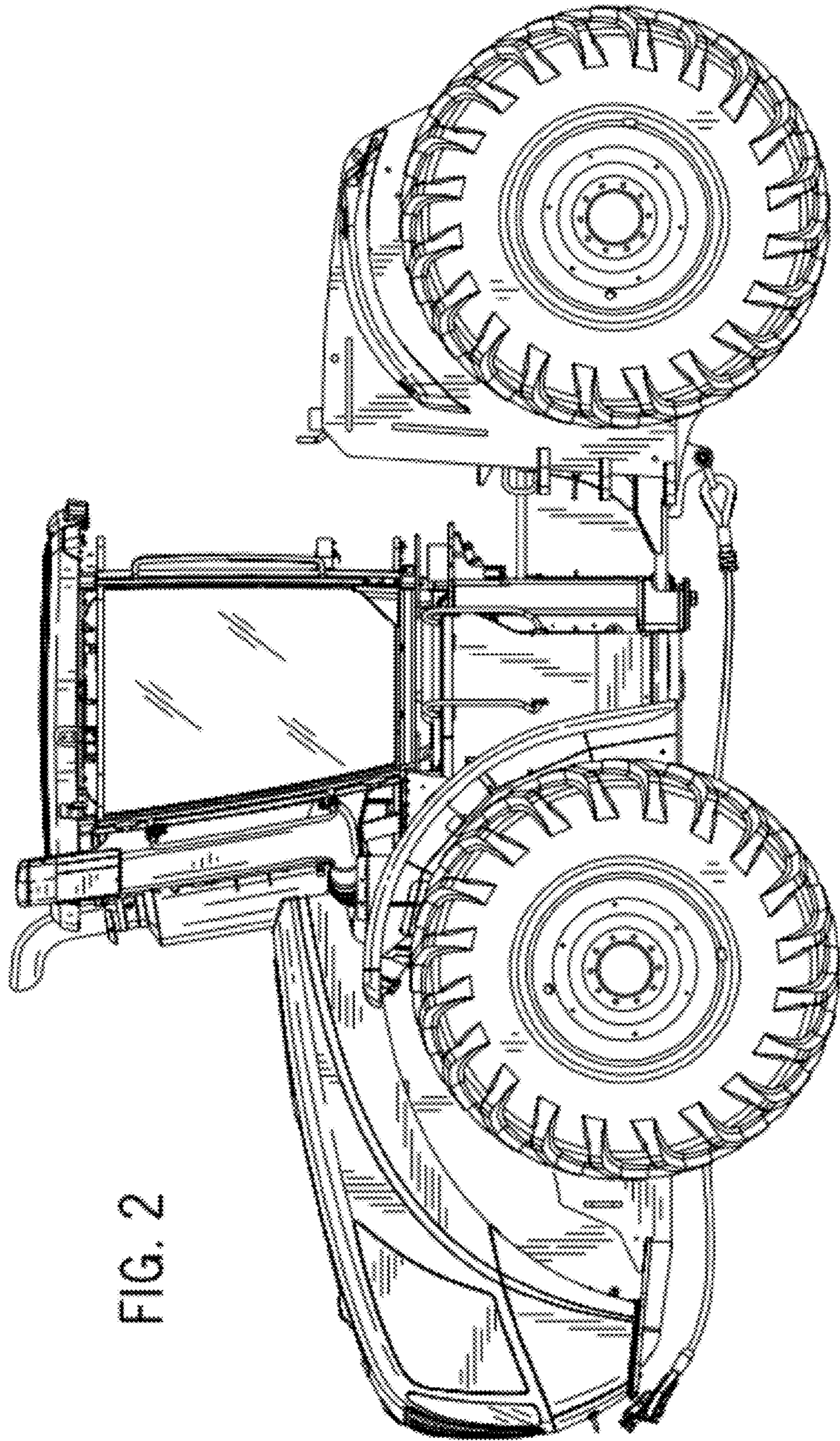


FIG. 2

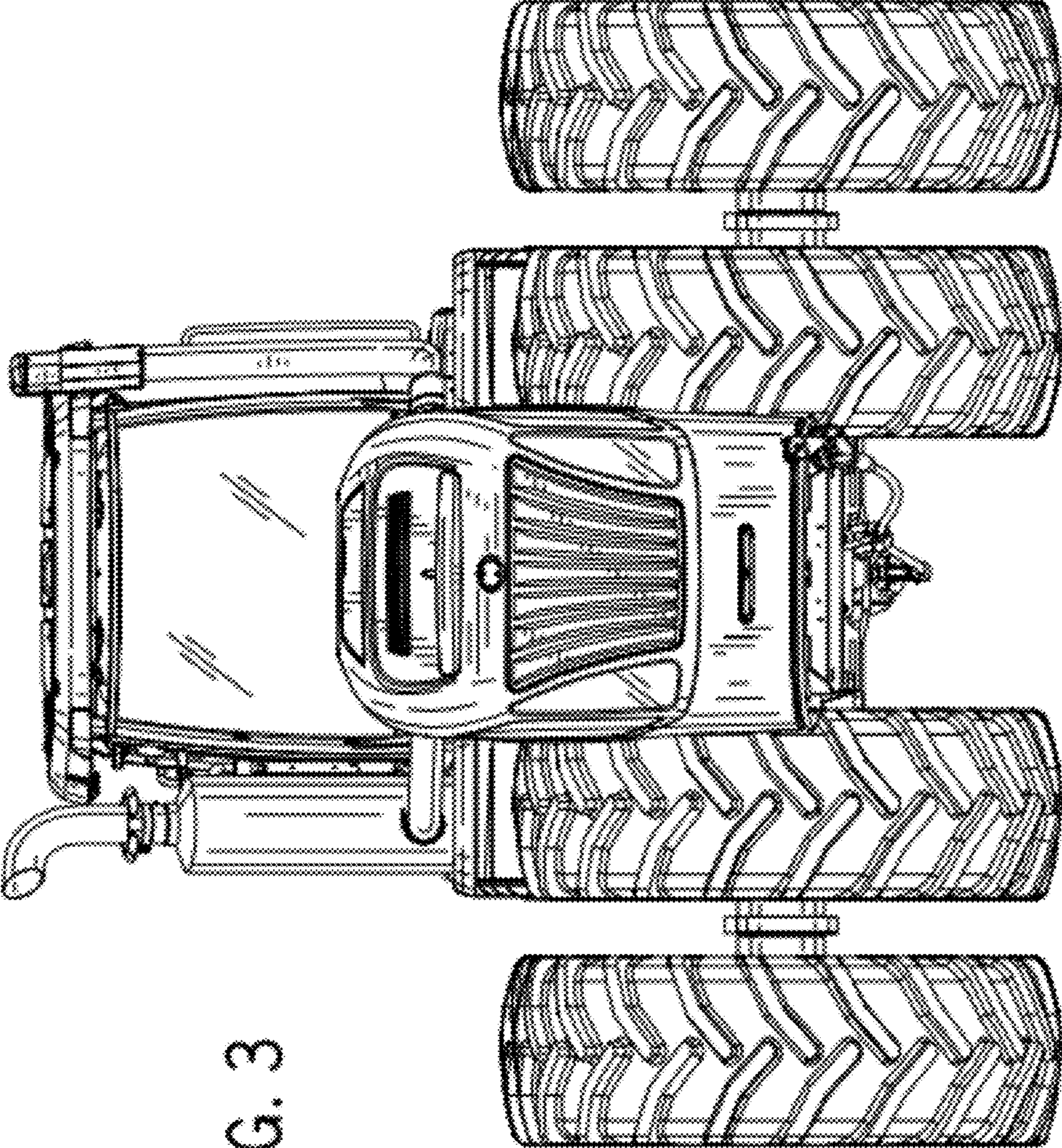


FIG. 3

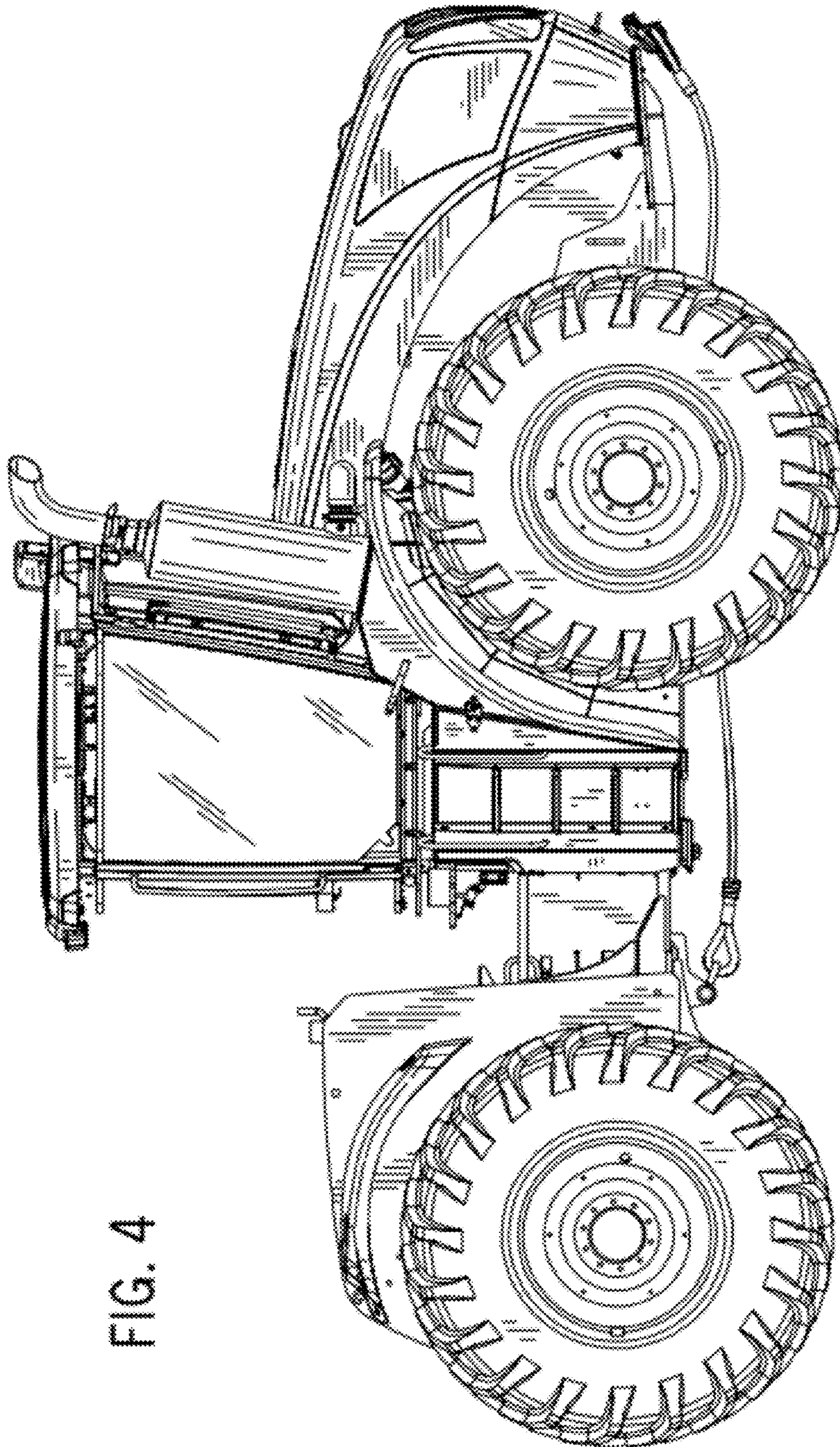


FIG. 4

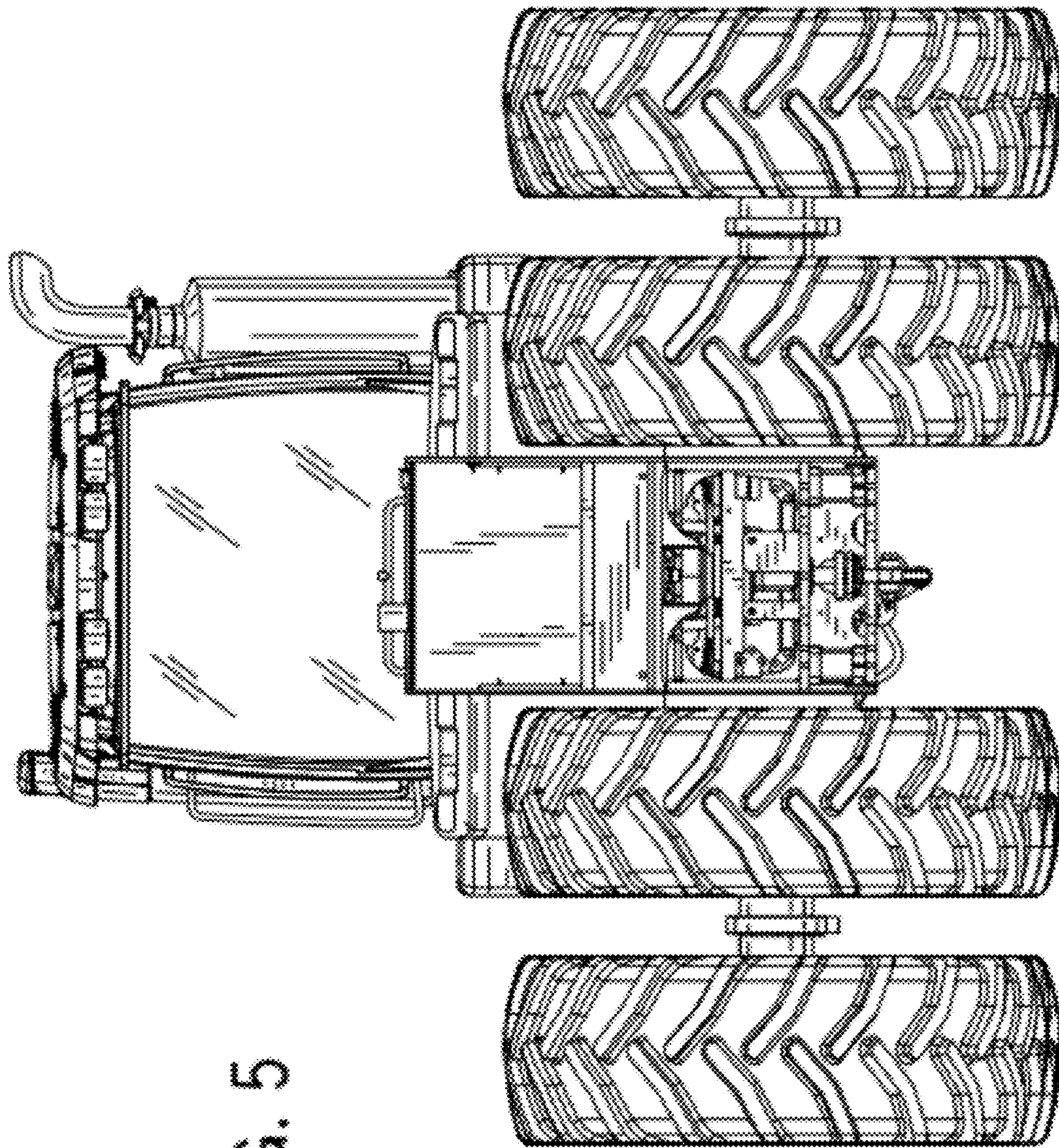


FIG. 5

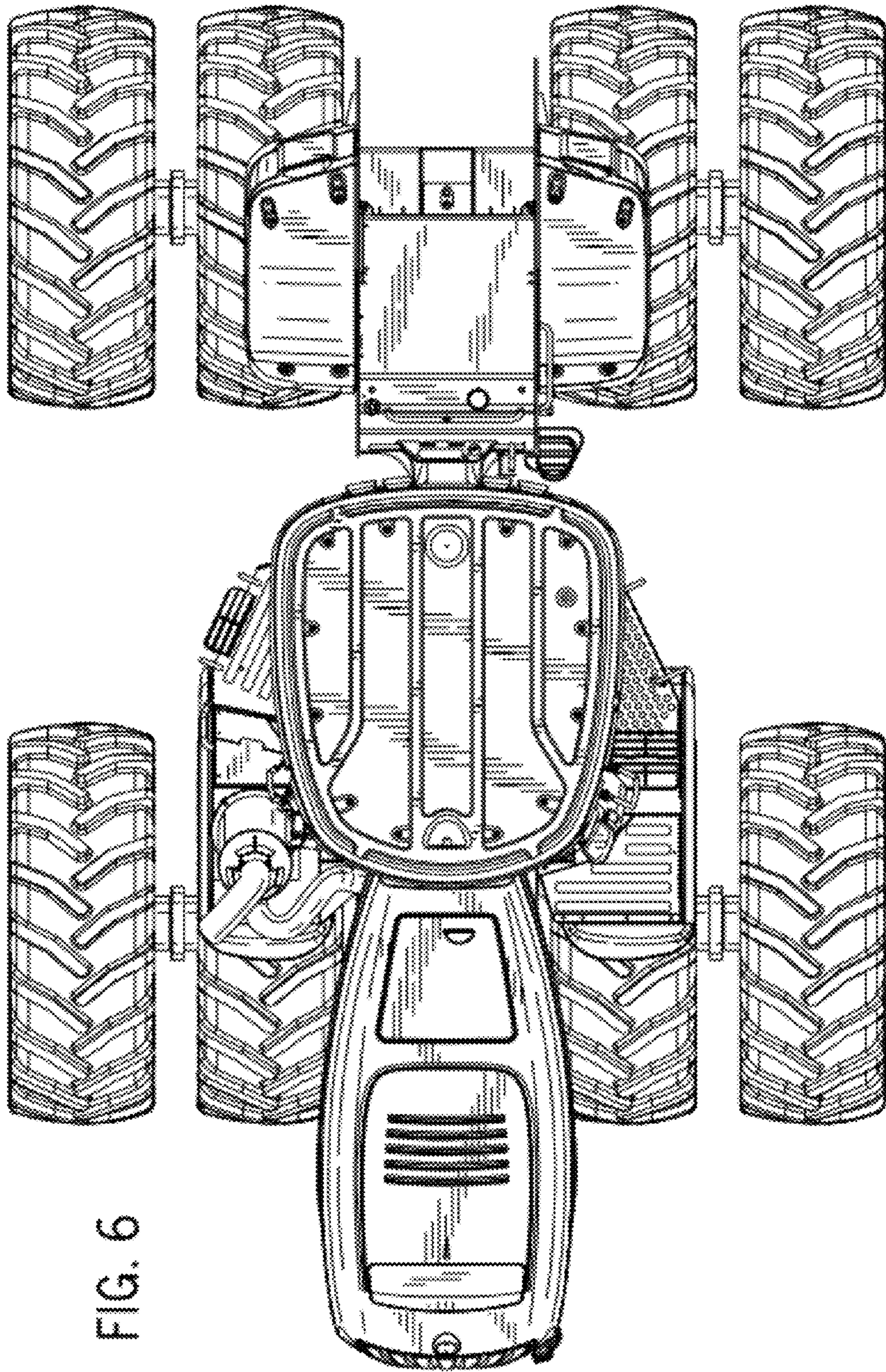


FIG. 6