



US00D671559S

(12) **United States Design Patent**
Martinek et al.

(10) **Patent No.:** **US D671,559 S**
(45) **Date of Patent:** **** Nov. 27, 2012**

(54) **ENGINE**

(75) Inventors: **Matthew A. Martinek**, Cedarburg, WI (US); **William M. Kindness**, Franklin, WI (US); **Brian R. Paul**, Wauwatosa, WI (US); **Jully H. Sieglaff**, Brookfield, WI (US)

(73) Assignee: **Briggs & Stratton Corporation**, Wauwatosa, WI (US)

(**) Term: **14 Years**

(21) Appl. No.: **29/404,014**

(22) Filed: **Oct. 13, 2011**

(51) **LOC (9) Cl.** **15-01**

(52) **U.S. Cl.** **D15/1**

(58) **Field of Classification Search** D15/1,
D15/2, 3, 5, 6, 14, 17, 149; 123/22, 41.34,
123/51 A, 606 R, 52.1, 50 A, 50 B, 54.1,
123/54.2, 54.4, 54.5, 65 R, 195 R, 195 HC,
123/657, 311

See application file for complete search history.

(56) **References Cited**

U.S. PATENT DOCUMENTS

6,520,141	B2 *	2/2003	Ryczek et al.	123/198 E
D529,046	S *	9/2006	Maeda et al.	D15/1
D552,128	S *	10/2007	Li	D15/1
D570,877	S *	6/2008	Glass et al.	D15/1
D583,829	S *	12/2008	Fan	D15/1
D584,745	S *	1/2009	Wei et al.	D15/1
D595,737	S *	7/2009	Neeley et al.	D15/1
D605,661	S *	12/2009	Koehl	D15/1
D610,163	S *	2/2010	Wood	D15/1

D612,402	S *	3/2010	Dai et al.	D15/1
D628,597	S *	12/2010	Dai et al.	D15/1
D629,014	S *	12/2010	Osumi	D15/1
D634,333	S *	3/2011	Johnson et al.	D15/1
D635,585	S *	4/2011	Harmelink	D15/1
2006/0021592	A1 *	2/2006	Ryczek et al.	123/184.21

OTHER PUBLICATIONS

Engines, Snow Series, Briggs & Stratton, printed from <http://www.briggsandstratton.com/engines/snow-blower/detail/?series=Snow+Series&id=%7bA02E350A-4217-4271-A196-2EA06B9D3C42%7d> on Oct. 10, 2011, 3 pages.

* cited by examiner

Primary Examiner — T. Chase Nelson

Assistant Examiner — Ania Aman

(74) *Attorney, Agent, or Firm* — Foley & Lardner LLP

(57) **CLAIM**

We claim the ornamental design for an engine, as shown and described.

DESCRIPTION

FIG. 1 is a front perspective view from above of the claimed design;

FIG. 2 is a bottom view of the claimed design;

FIG. 3 is a top view of the claimed design;

FIG. 4 is a right side view of the claimed design;

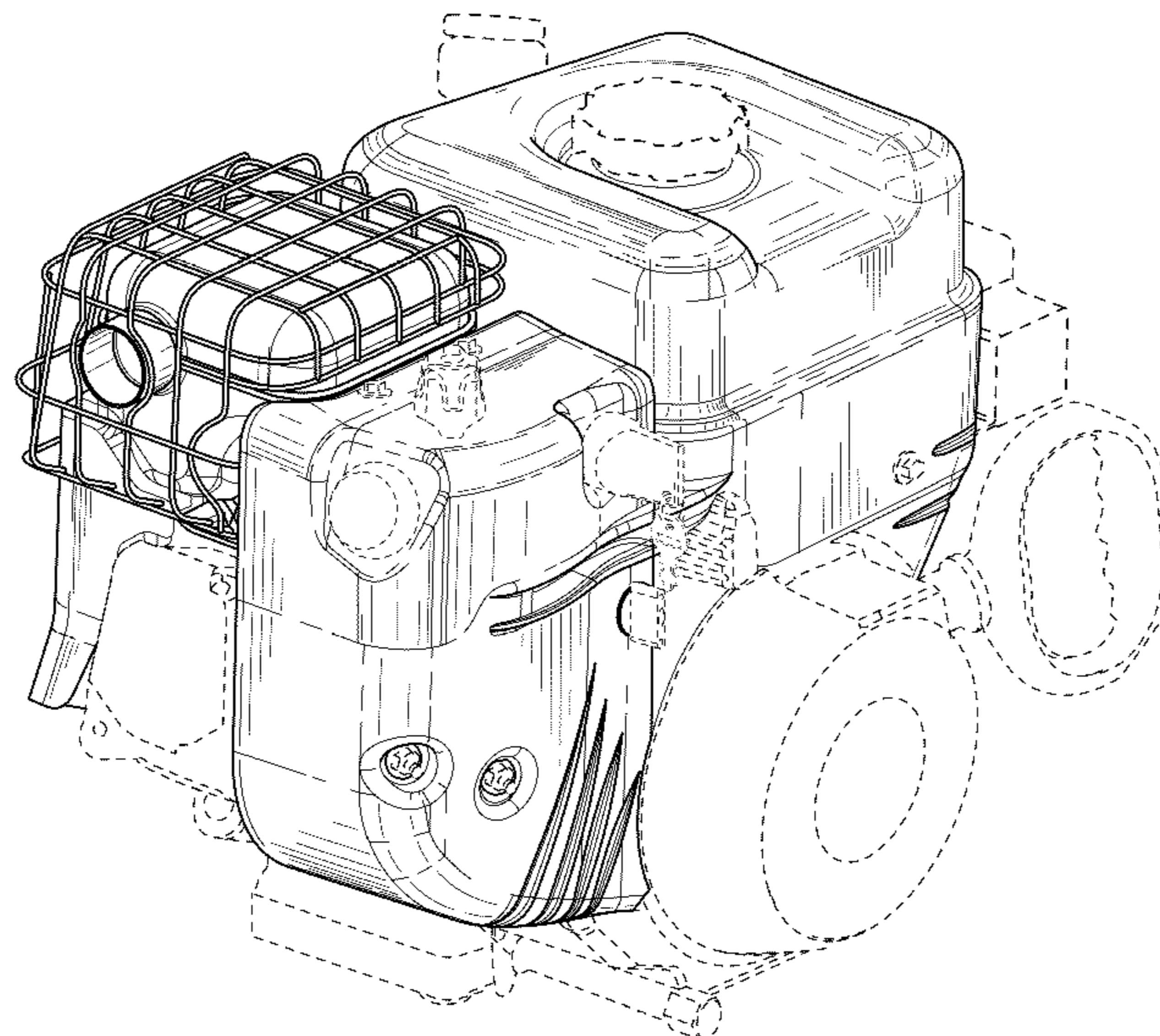
FIG. 5 is a left side view of the claimed design;

FIG. 6 is a rear view of the claimed design; and,

FIG. 7 is a front view of the claimed design.

The broken lines depict portions of the engine that form no part of the claimed design.

1 Claim, 7 Drawing Sheets



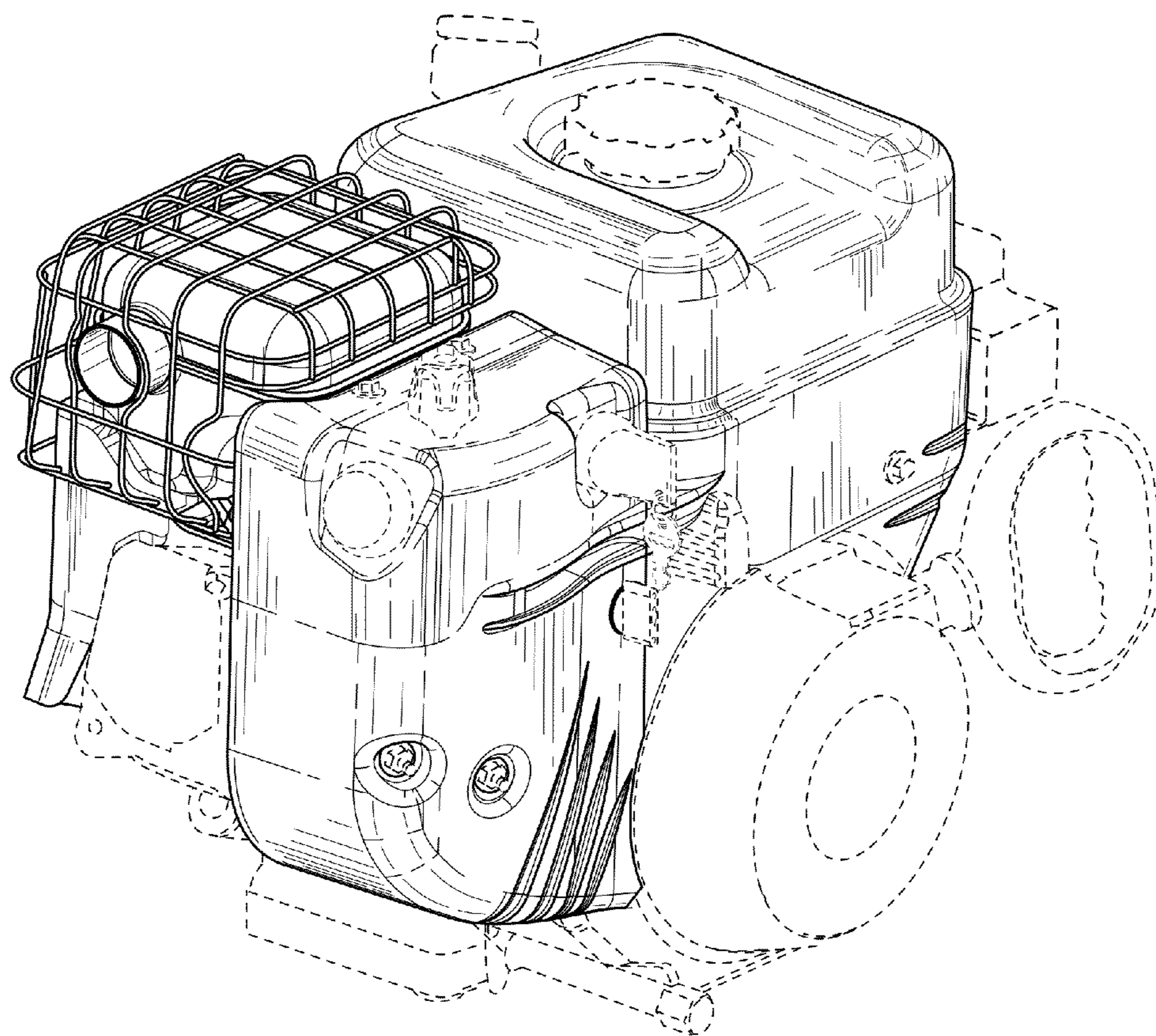


FIG. 1

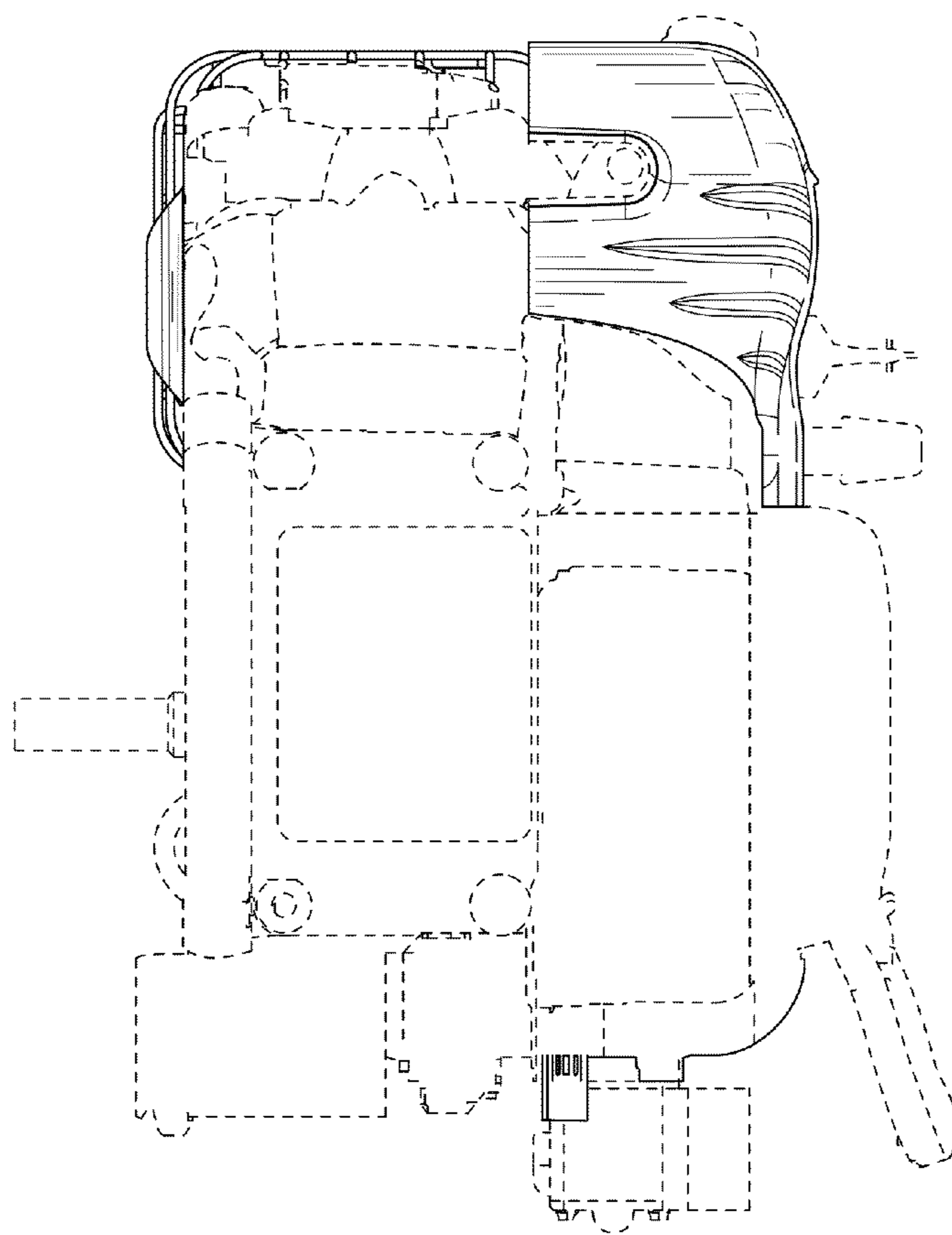


FIG. 2

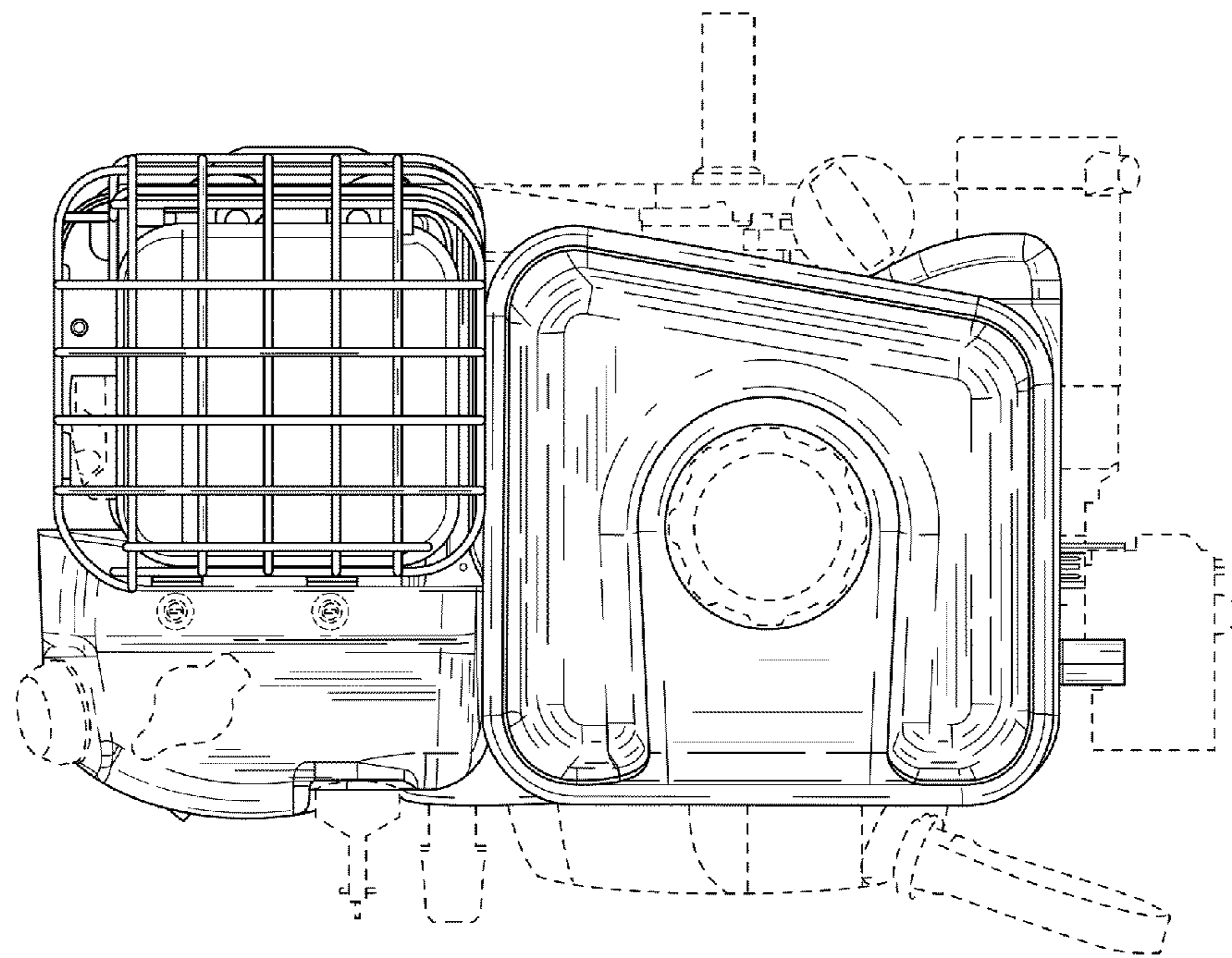


FIG. 3

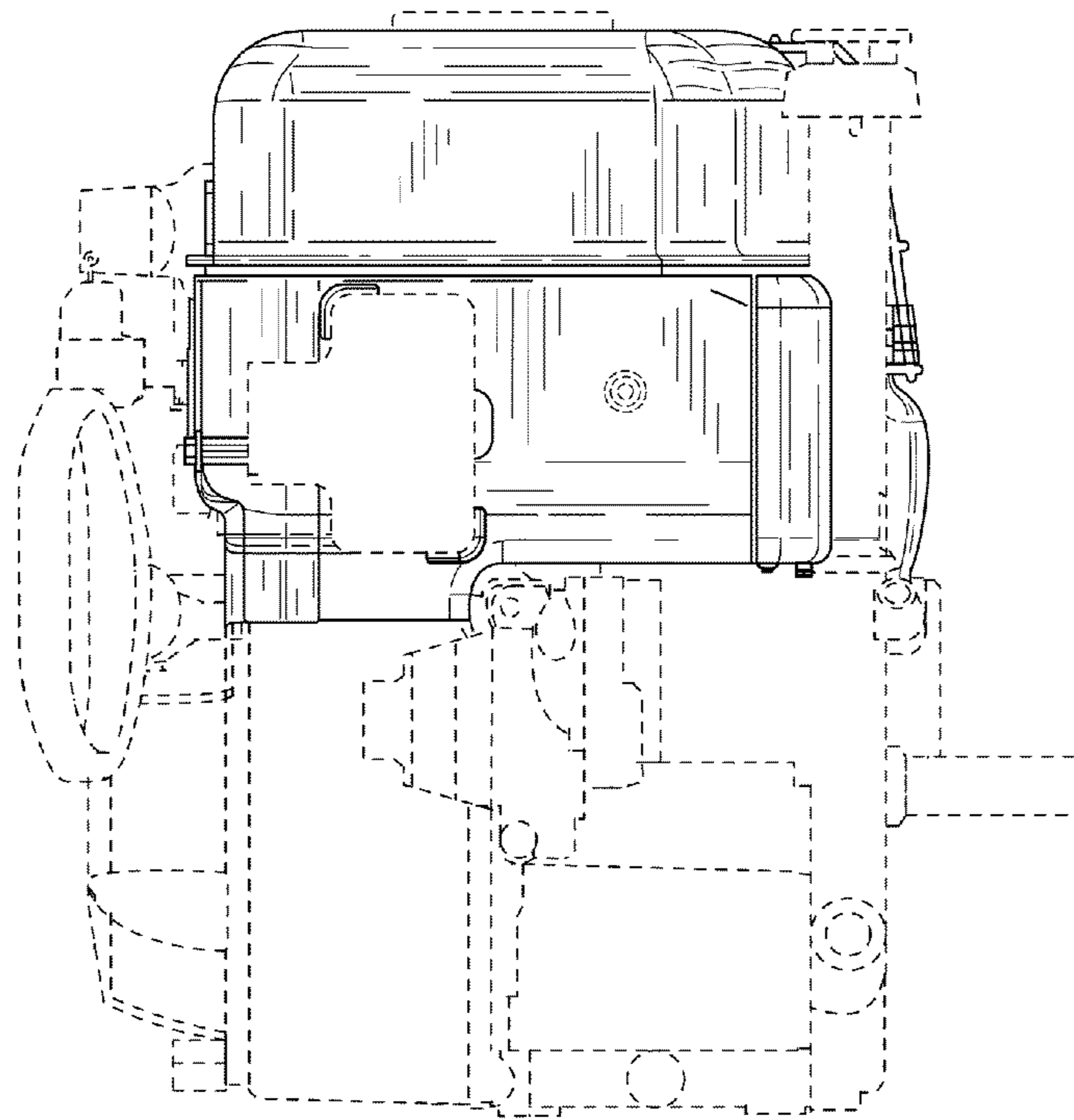


FIG. 4

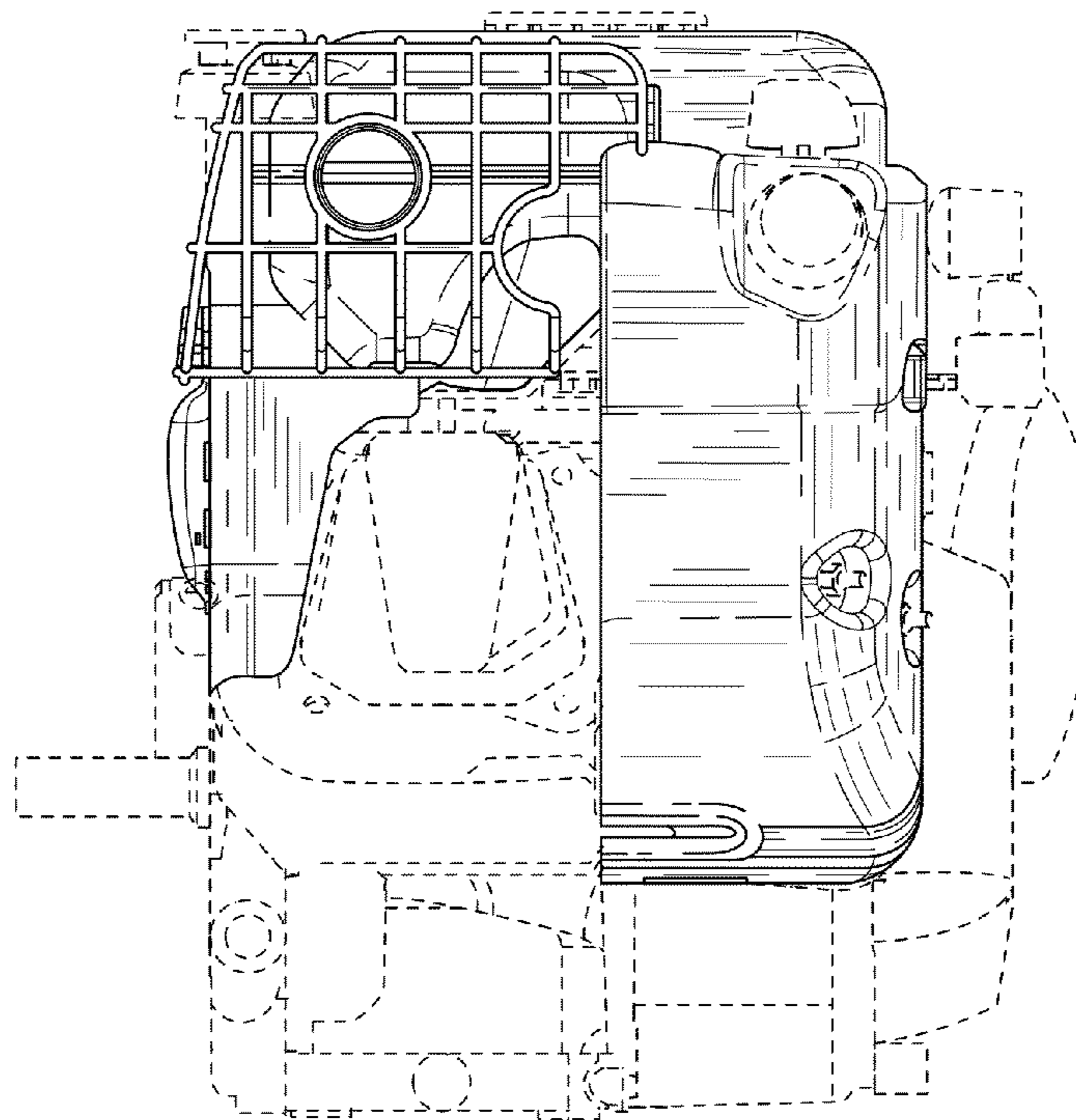


FIG. 5

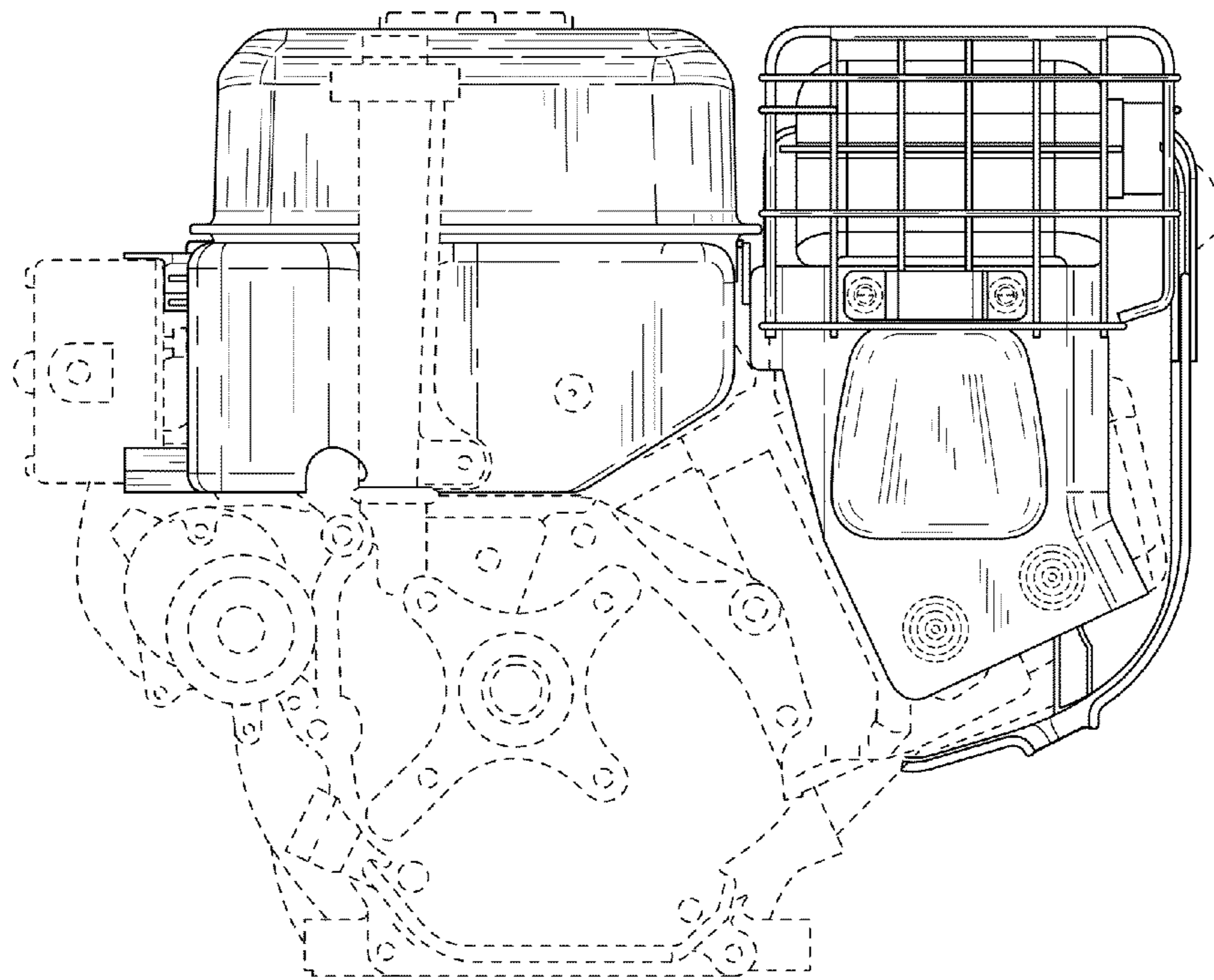


FIG. 6

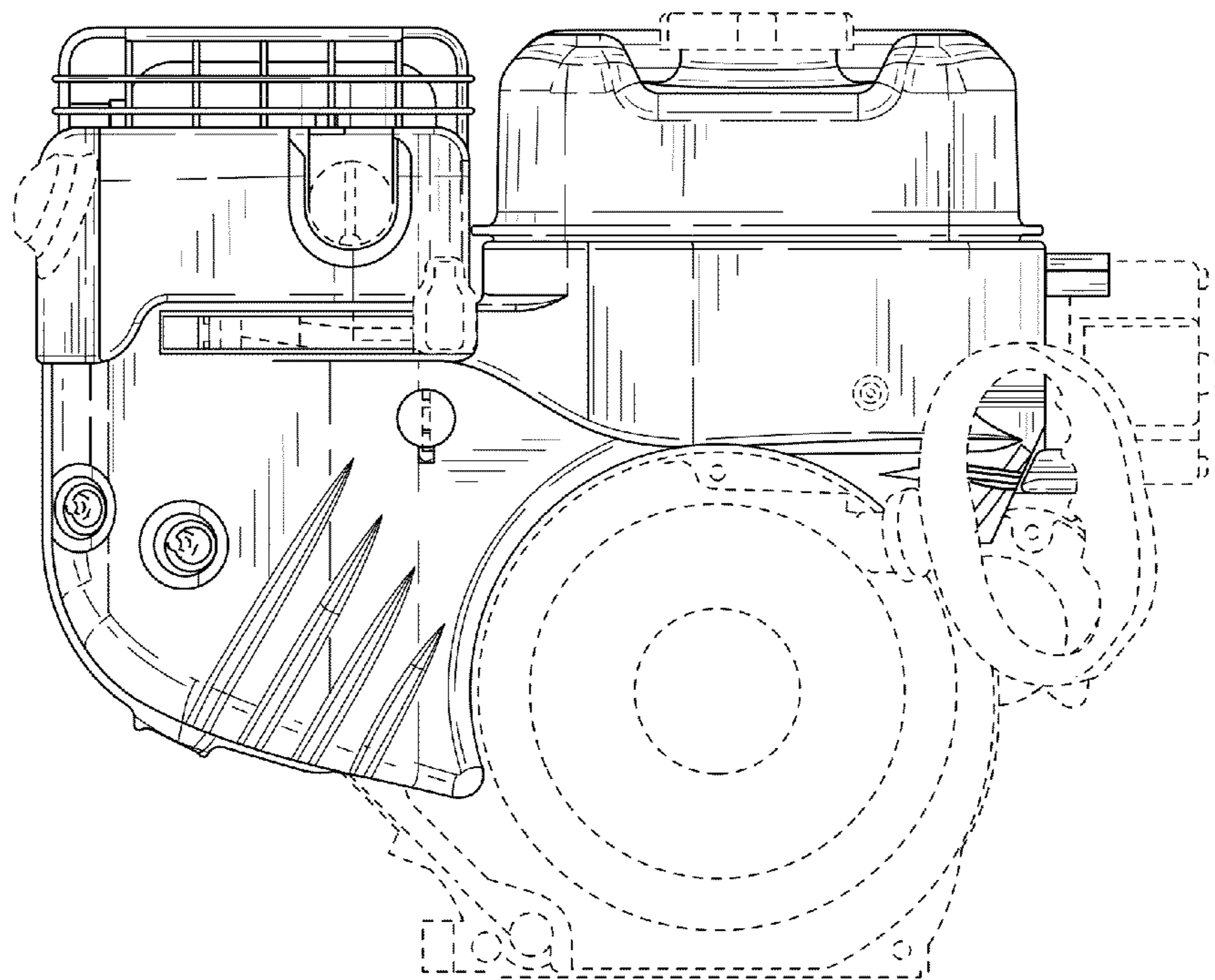


FIG. 7