



US00D671545S

(12) **United States Design Patent**  
**Guran**

(10) **Patent No.:** **US D671,545 S**

(45) **Date of Patent:** **\*\* Nov. 27, 2012**

(54) **STAND FOR TABLET COMPUTER OR THE LIKE**

(75) Inventor: **Iles Z. Guran**, Elmira (CA)

(73) Assignee: **Bonzai Design Group Inc.**, Elmira (CA)

(\*\*) Term: **14 Years**

(21) Appl. No.: **29/412,459**

(22) Filed: **Feb. 3, 2012**

(30) **Foreign Application Priority Data**

Aug. 18, 2011 (CA) ..... 141.837

(51) **LOC (9) Cl.** ..... **08-07**

(52) **U.S. Cl.** ..... **D14/447**

(58) **Field of Classification Search** ..... D14/447,

D14/432, 433, 434, 439, 440, 451, 452, 457,

D14/239, 251, 253, 217, 374, 375, 376, 377,

D14/902, 216, 209.1, 204, 448, 449, 302,

D14/307, 126; D12/415, 416; D3/218, 274,

D3/318, 321, 328; D6/406.3, 406.4; 190/117;

361/679.03, 679.09, 679.05, 679.26, 679.3,

361/679.55, 679.56, 679.27; 248/176.1,

248/917, 918, 919, 920, 921, 922, 923, 924,

248/682, 689, 690, 691, 692, 441.1, 444,

248/447, 451, 460, 463, 118, 118.5, 149,

248/150, 166, 434, 177.1; D10/113.4; D16/242,

D16/244, 245; 108/42, 152

See application file for complete search history.

(56) **References Cited**

U.S. PATENT DOCUMENTS

D346,286 S \* 4/1994 Caponigro et al. .... D6/419

(Continued)

*Primary Examiner* — Angela J Lee

(74) *Attorney, Agent, or Firm* — R. Craig Armstrong

(57) **CLAIM**

I claim the ornamental design for the stand for tablet computer or the like, as shown.

**DESCRIPTION**

FIG. 1 is a perspective view of a first embodiment of the stand;

FIG. 2 is a front view of the first embodiment of the stand;

FIG. 3 is a back view of the first embodiment of the stand;

FIG. 4 is a right side view of the first embodiment of the stand;

FIG. 5 is a left side view of the first embodiment of the stand;

FIG. 6 is a top view of the first embodiment of the stand;

FIG. 7 is a bottom view of the first embodiment of the stand;

FIG. 8 is a perspective view of a second embodiment of the design;

FIG. 9 is a front view of the second embodiment;

FIG. 10 is a back view of the second embodiment;

FIG. 11 is a right side view of the second embodiment;

FIG. 12 is a left side view of the second embodiment;

FIG. 13 is a top view of the second embodiment;

FIG. 14 is a bottom view of the second embodiment;

FIG. 15 is a perspective view of a third embodiment of the design;

FIG. 16 is a front view of the third embodiment;

FIG. 17 is a back view of the third embodiment;

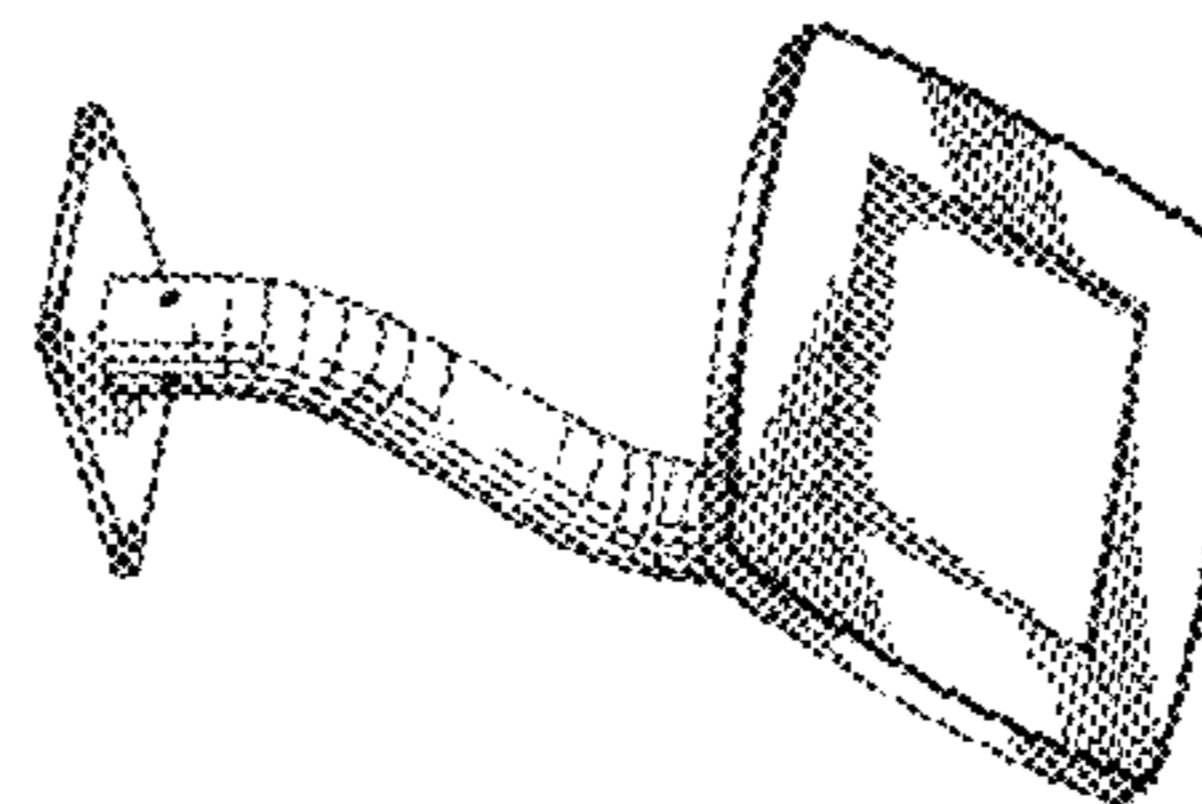
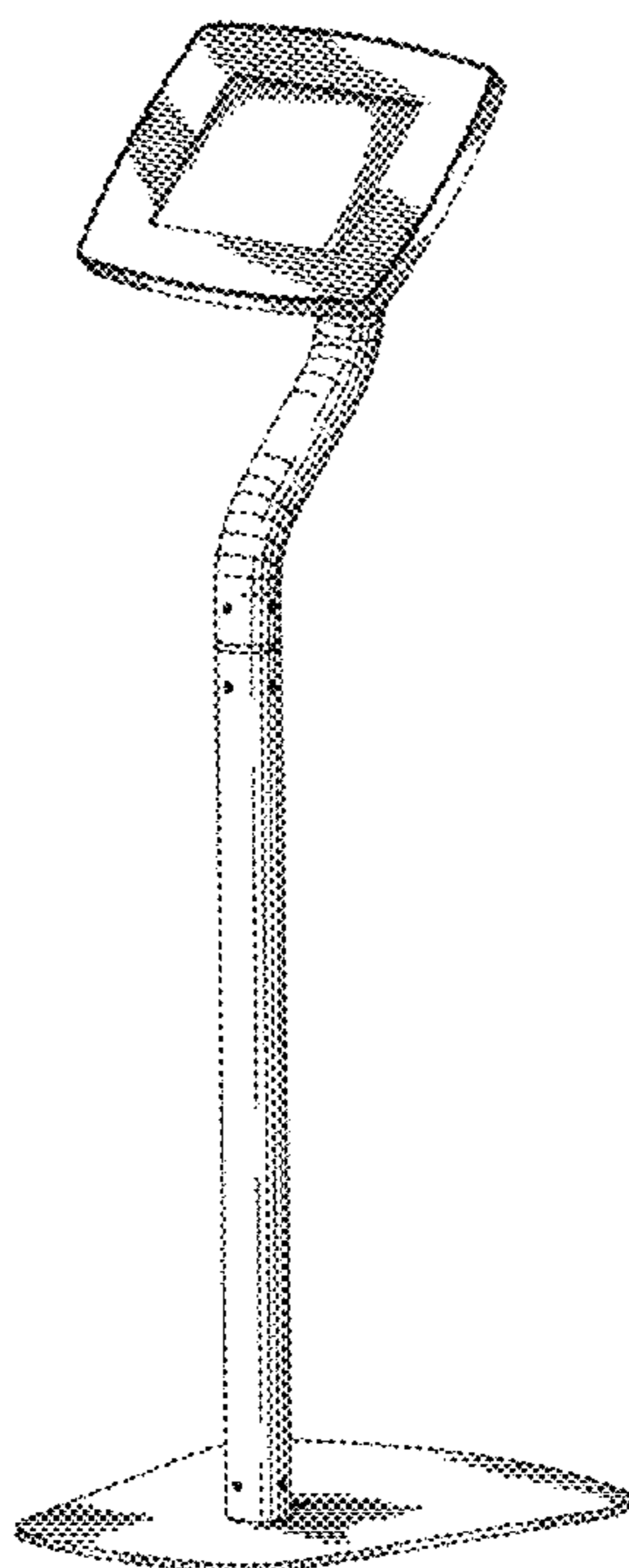
FIG. 18 is a right side view of the third embodiment;

FIG. 19 is a left side view of the third embodiment;

FIG. 20 is a top view of the third embodiment; and,

FIG. 21 is a bottom view of the third embodiment.

**1 Claim, 8 Drawing Sheets**



# US D671,545 S

Page 2

---

## U.S. PATENT DOCUMENTS

D393,853 S *	4/1998	Maas .....	D14/126	D587,256 S *	2/2009	Morello .....	D14/239
D455,131 S *	4/2002	Reynaga et al. ....	D14/126	D597,764 S *	8/2009	Topcuoglu .....	D6/449
D460,055 S *	7/2002	Rosen .....	D14/126	D597,975 S *	8/2009	Ohno .....	D14/126
D480,731 S *	10/2003	Becker et al. ....	D14/302	D652,045 S *	1/2012	Hong .....	D14/447
D488,139 S *	4/2004	Takami et al. ....	D14/126	D661,291 S *	6/2012	Renukanand et al. ....	D14/307
D535,109 S *	1/2007	Palmer .....	D6/312	2007/0138356 A1 *	6/2007	Johansson et al. ....	248/125.1

\* cited by examiner

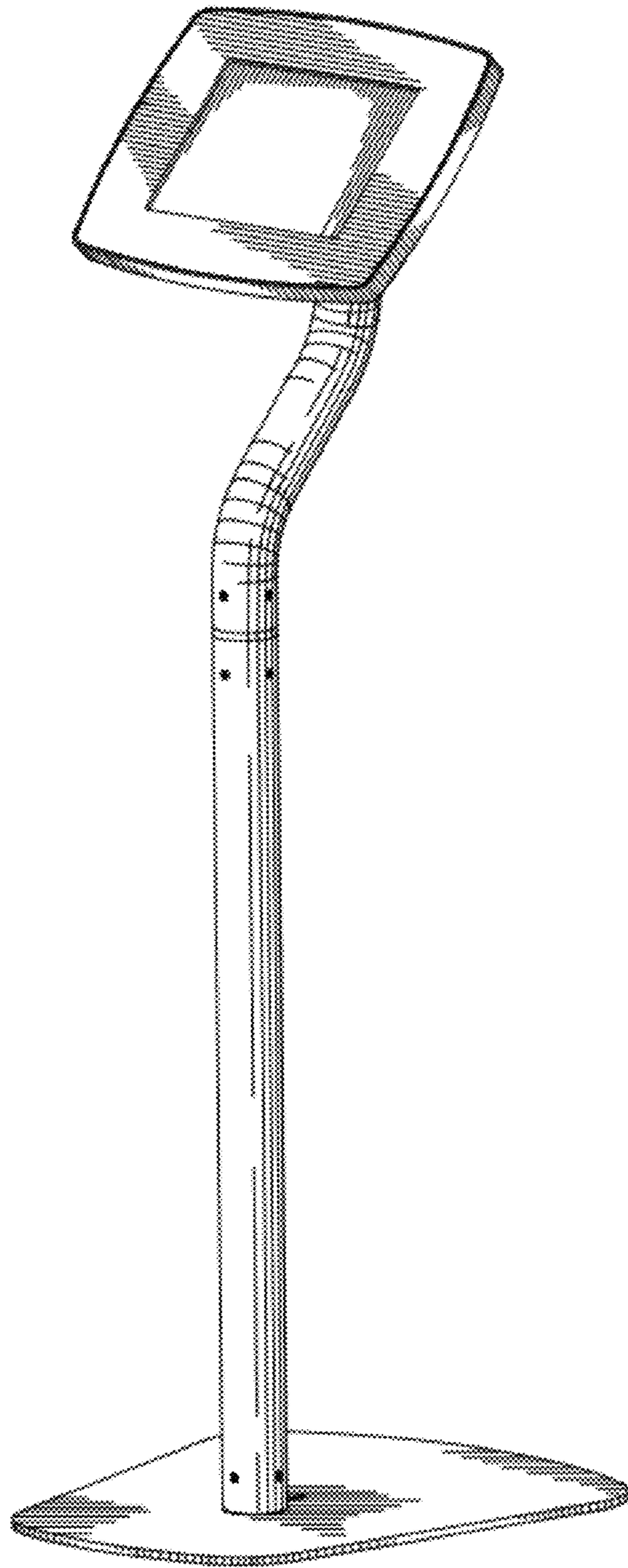


FIG. 1



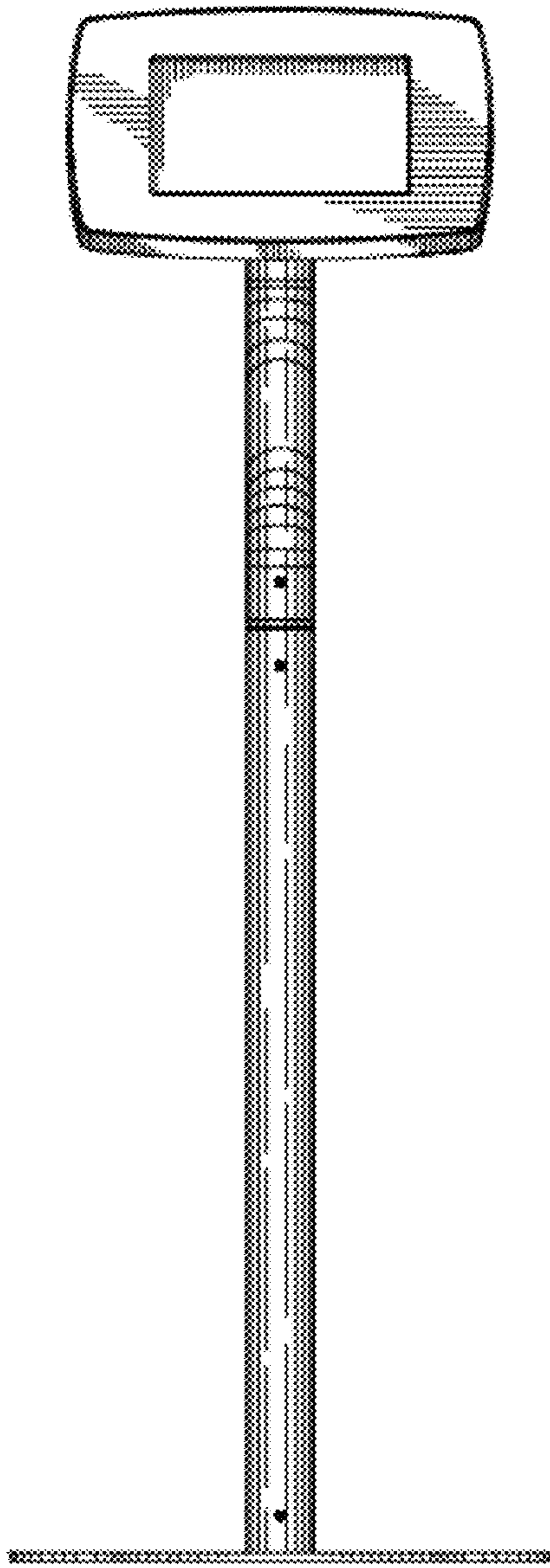


FIG. 2

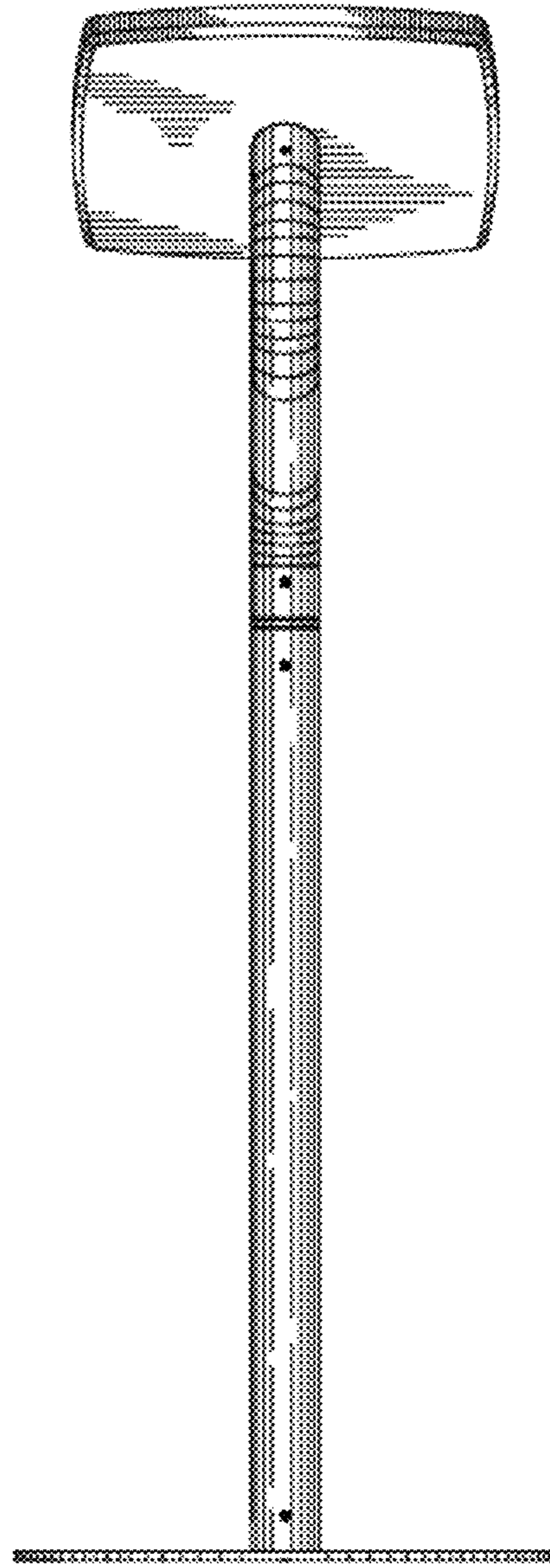


FIG. 3

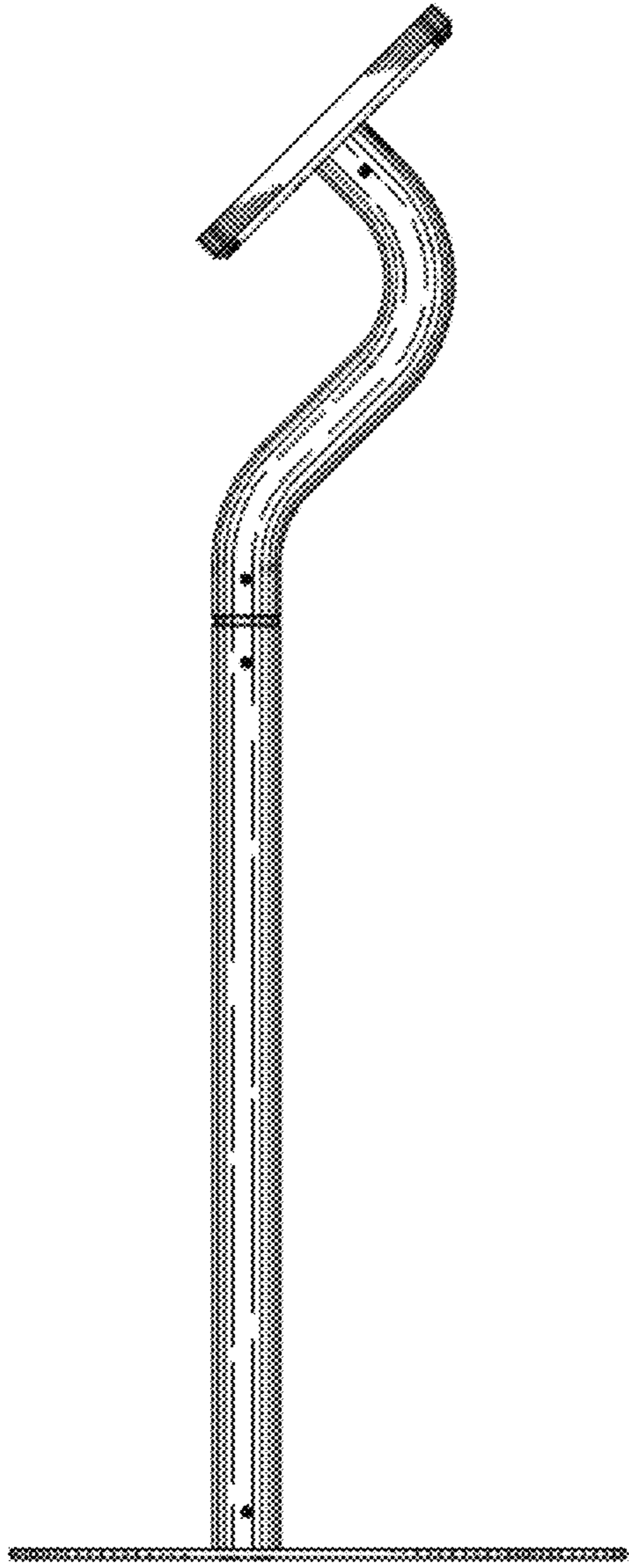


FIG. 4

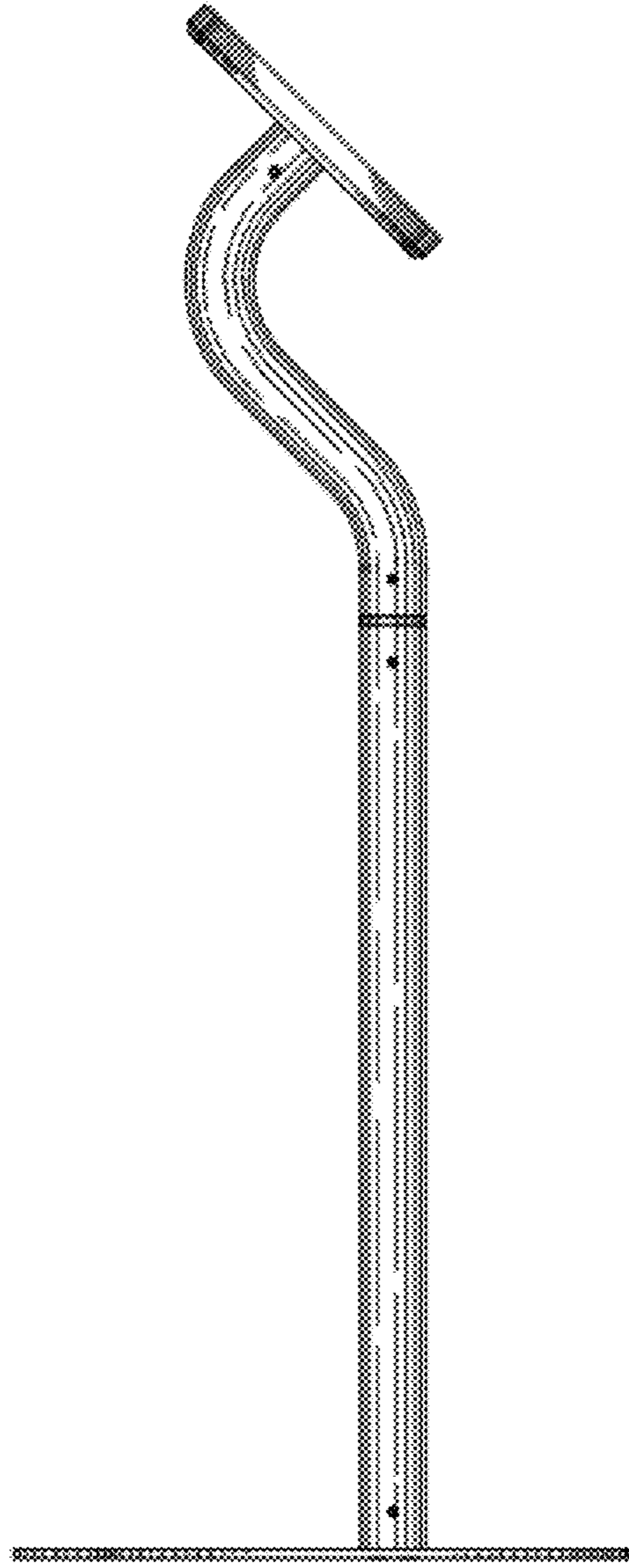


FIG. 5

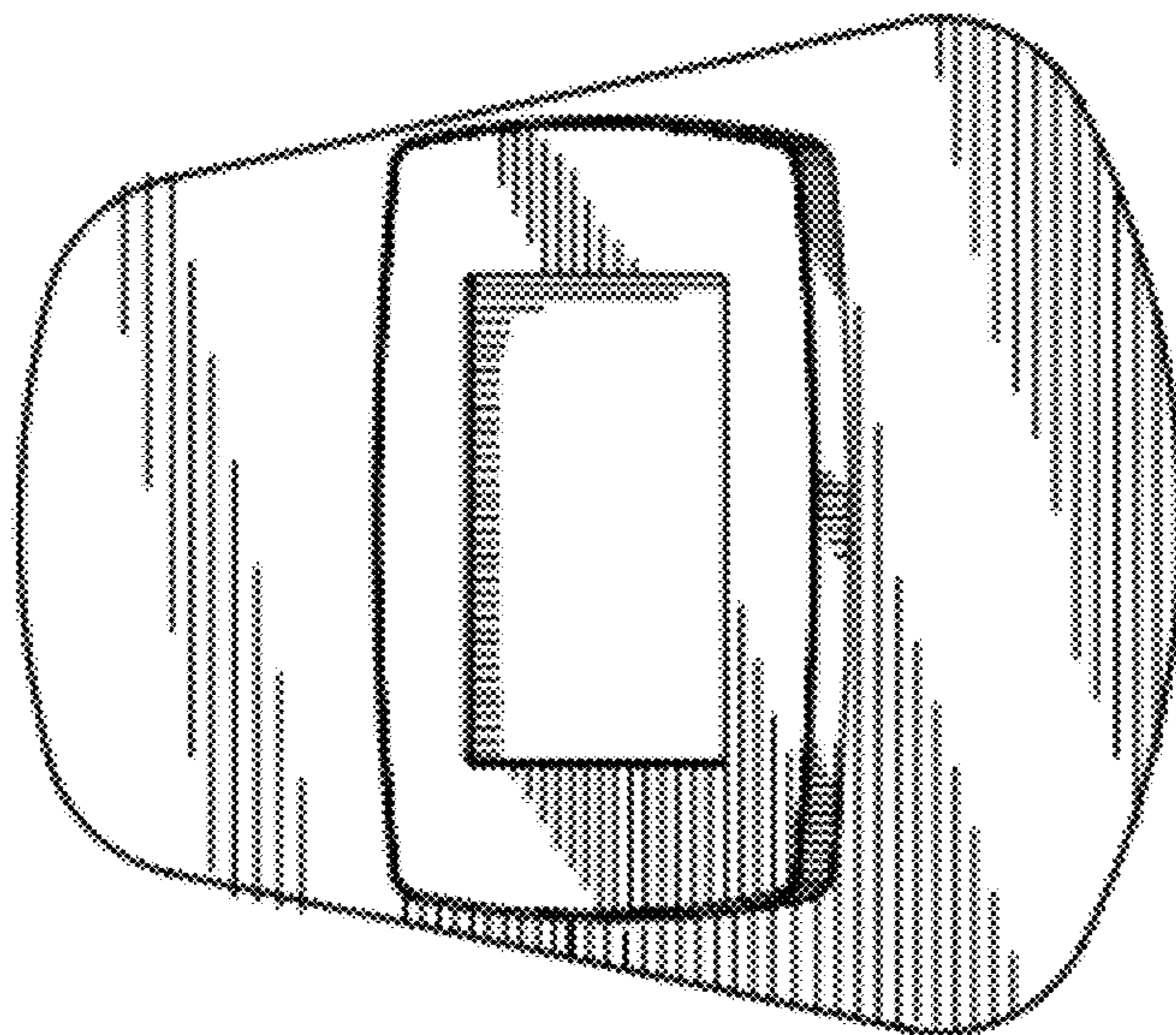


FIG. 6

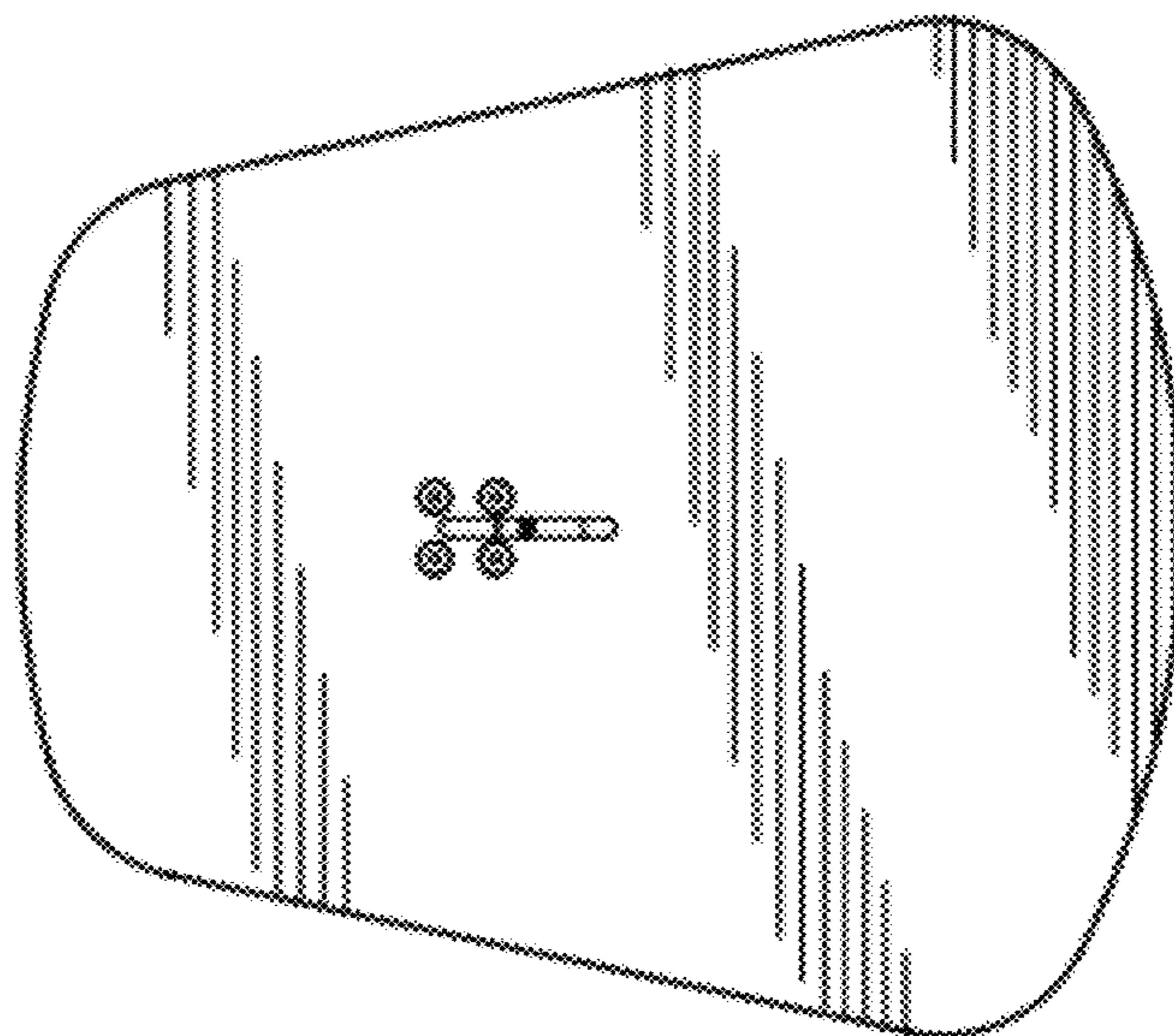


FIG. 7



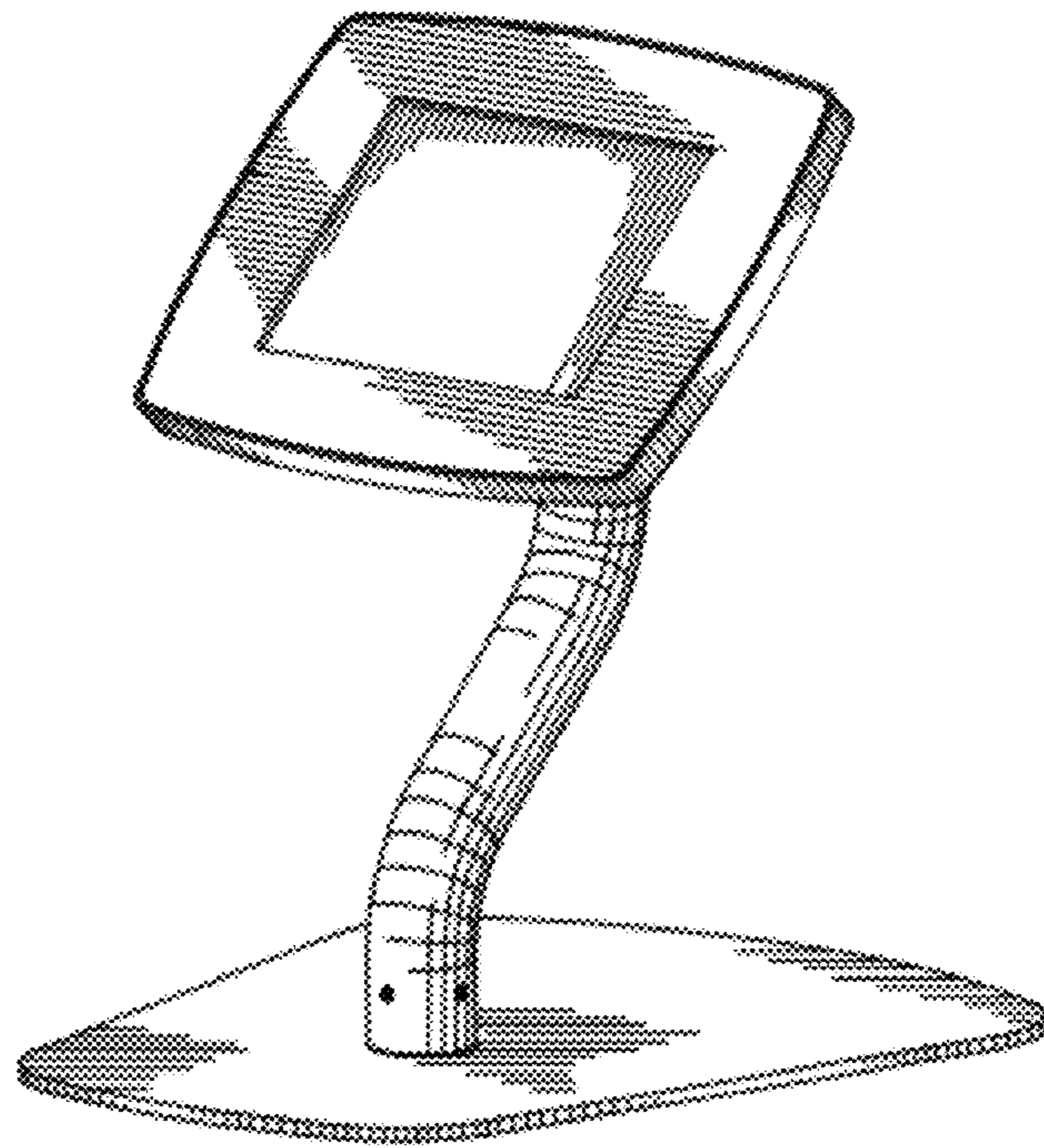


FIG. 8

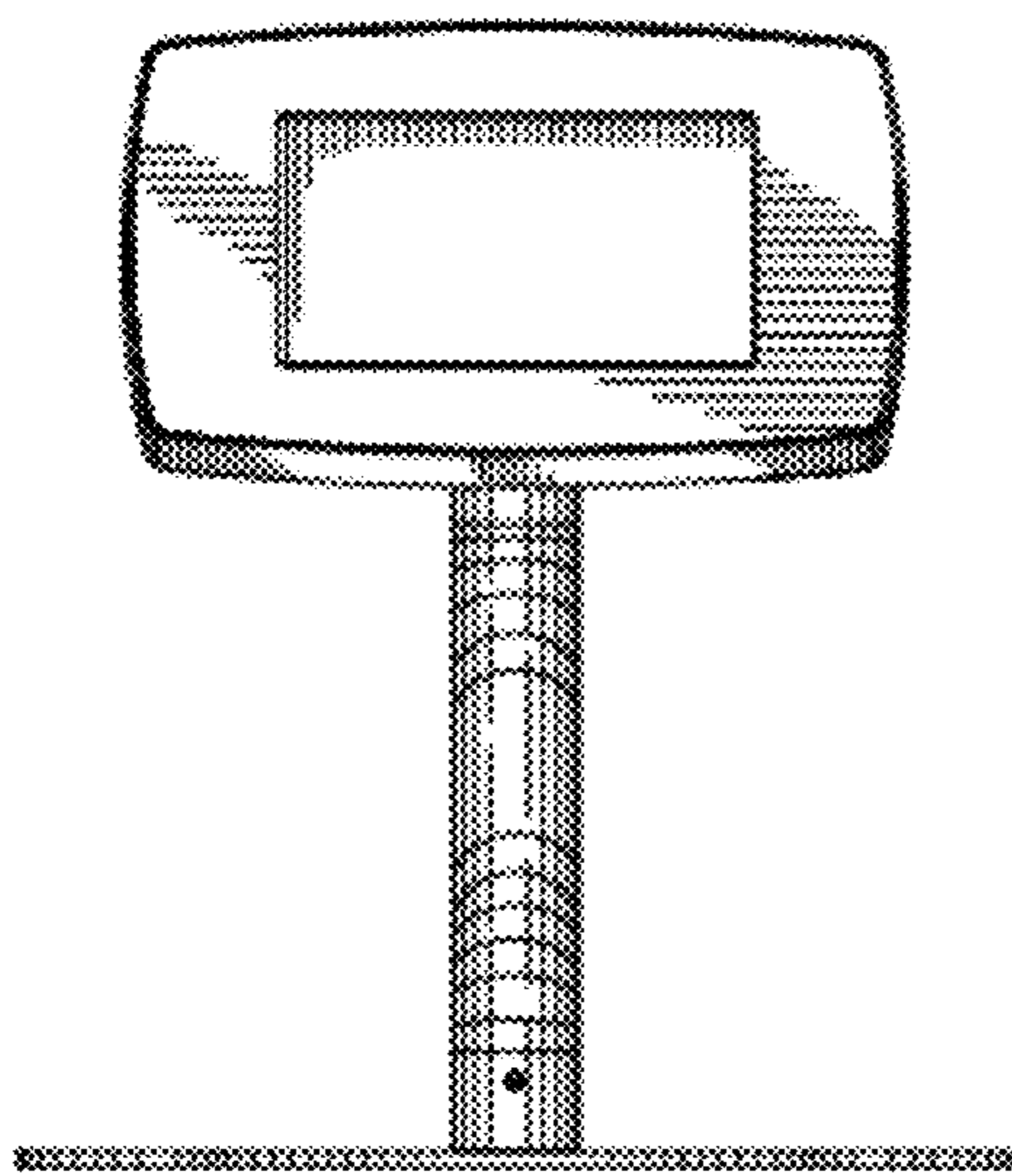


FIG. 9

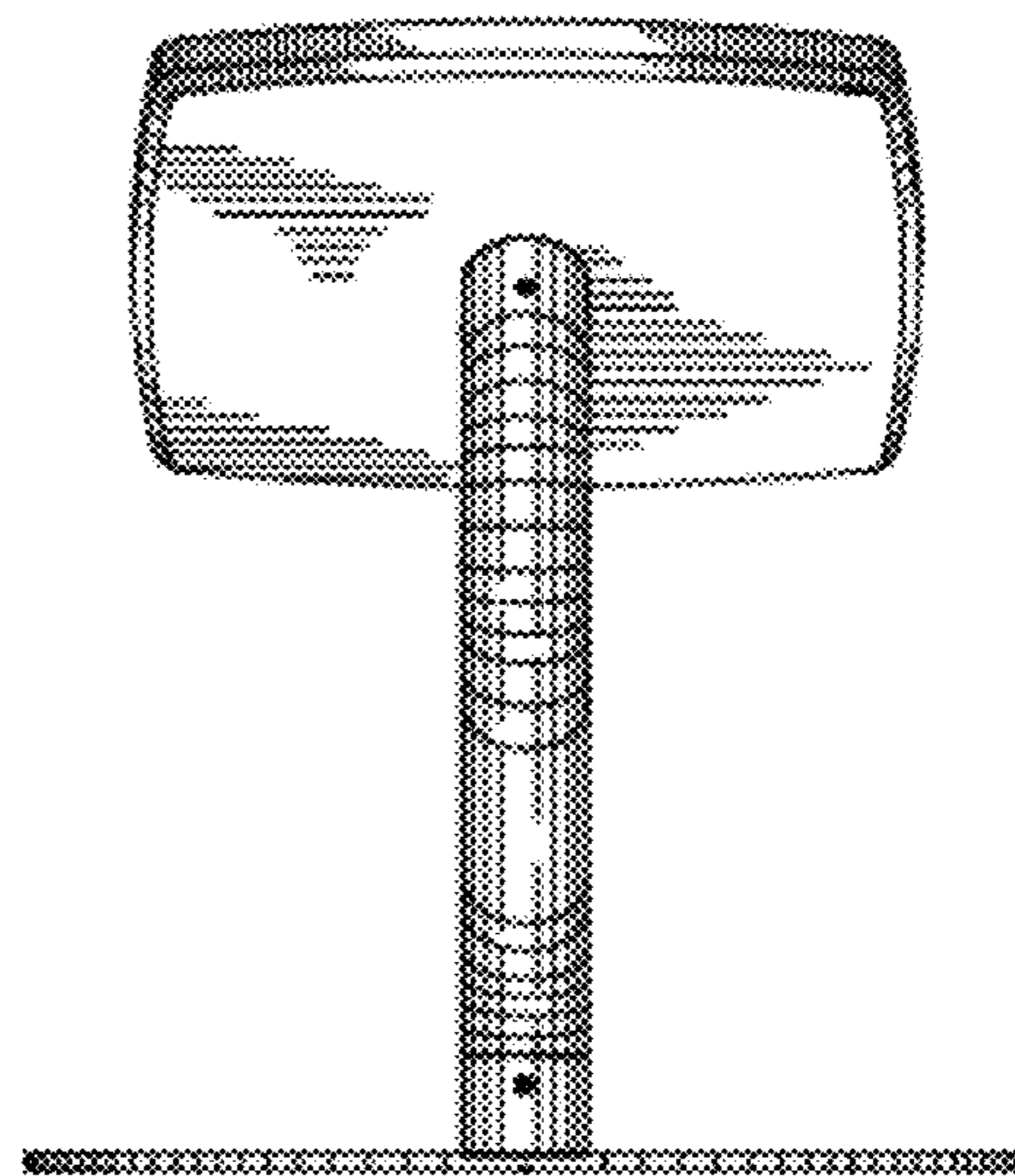


FIG. 10

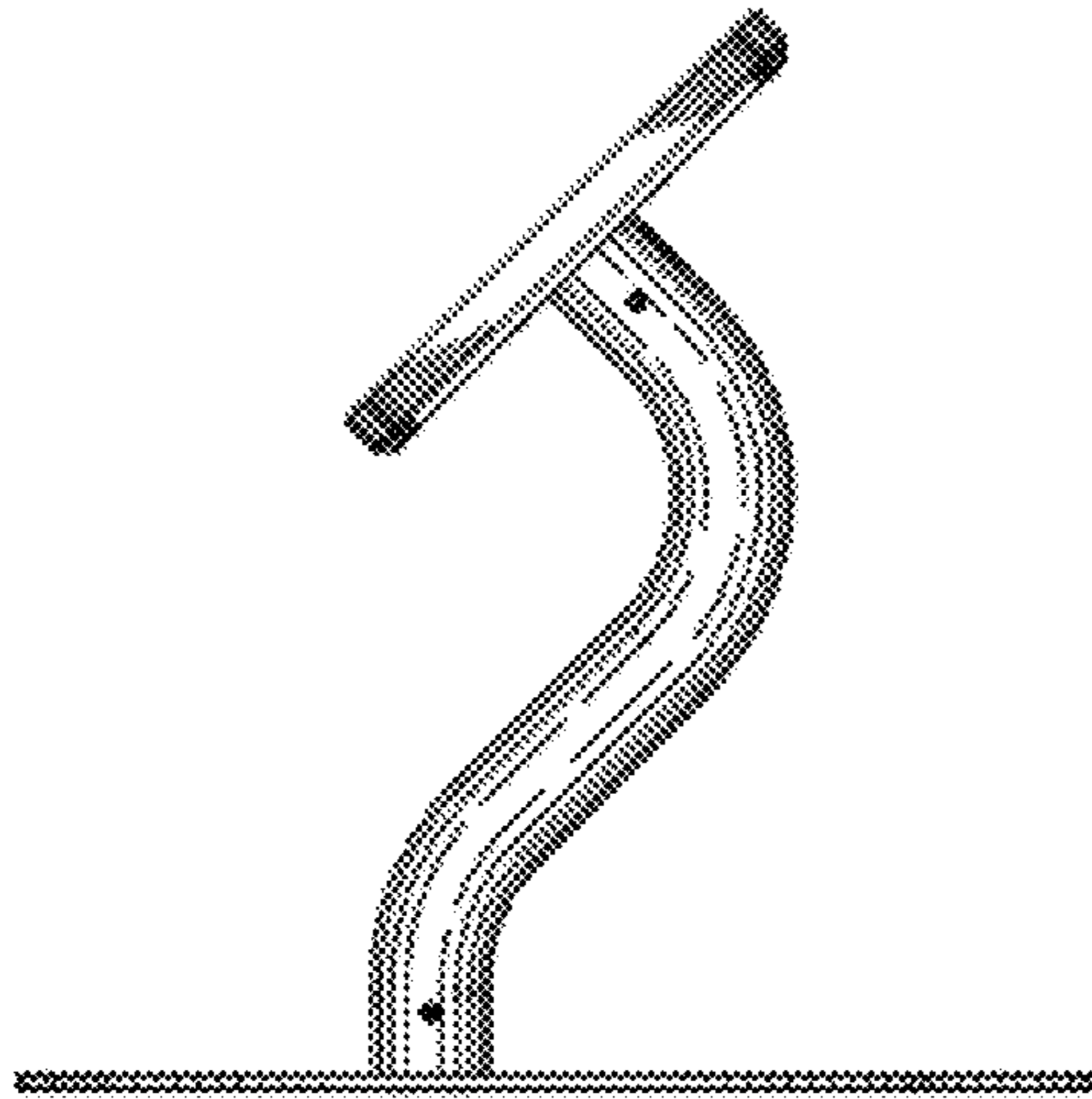


FIG. 11

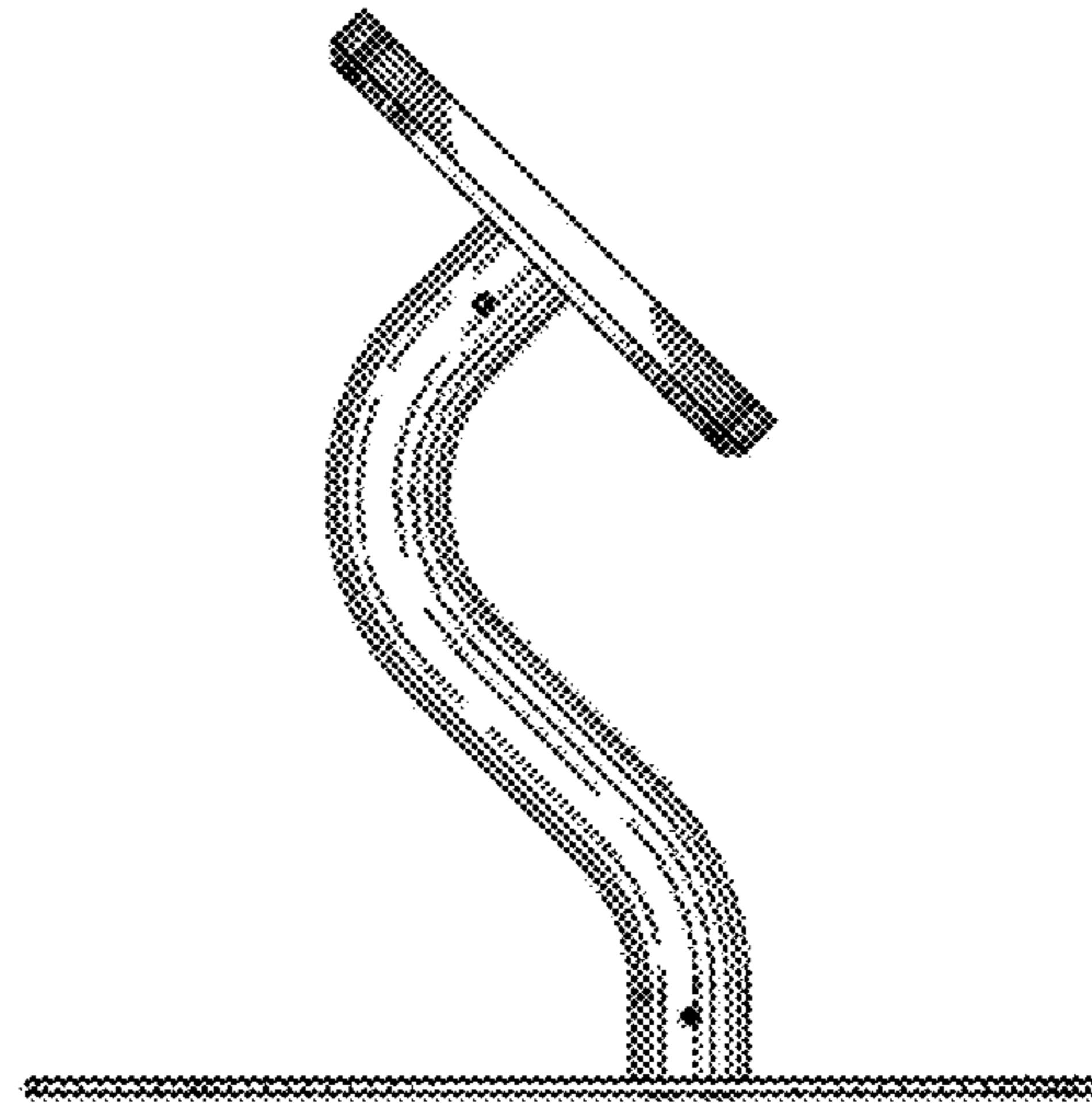


FIG. 12

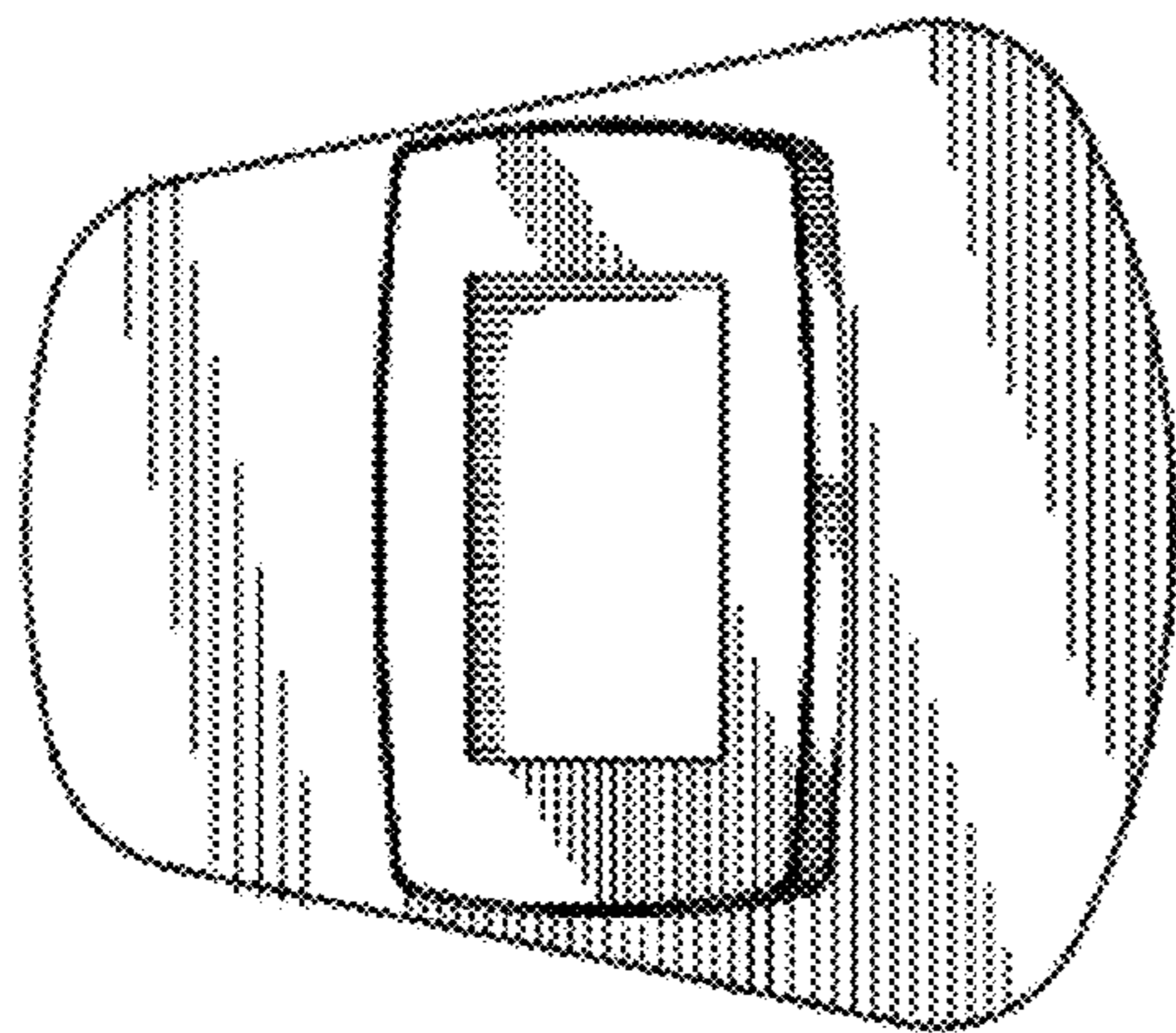


FIG. 13

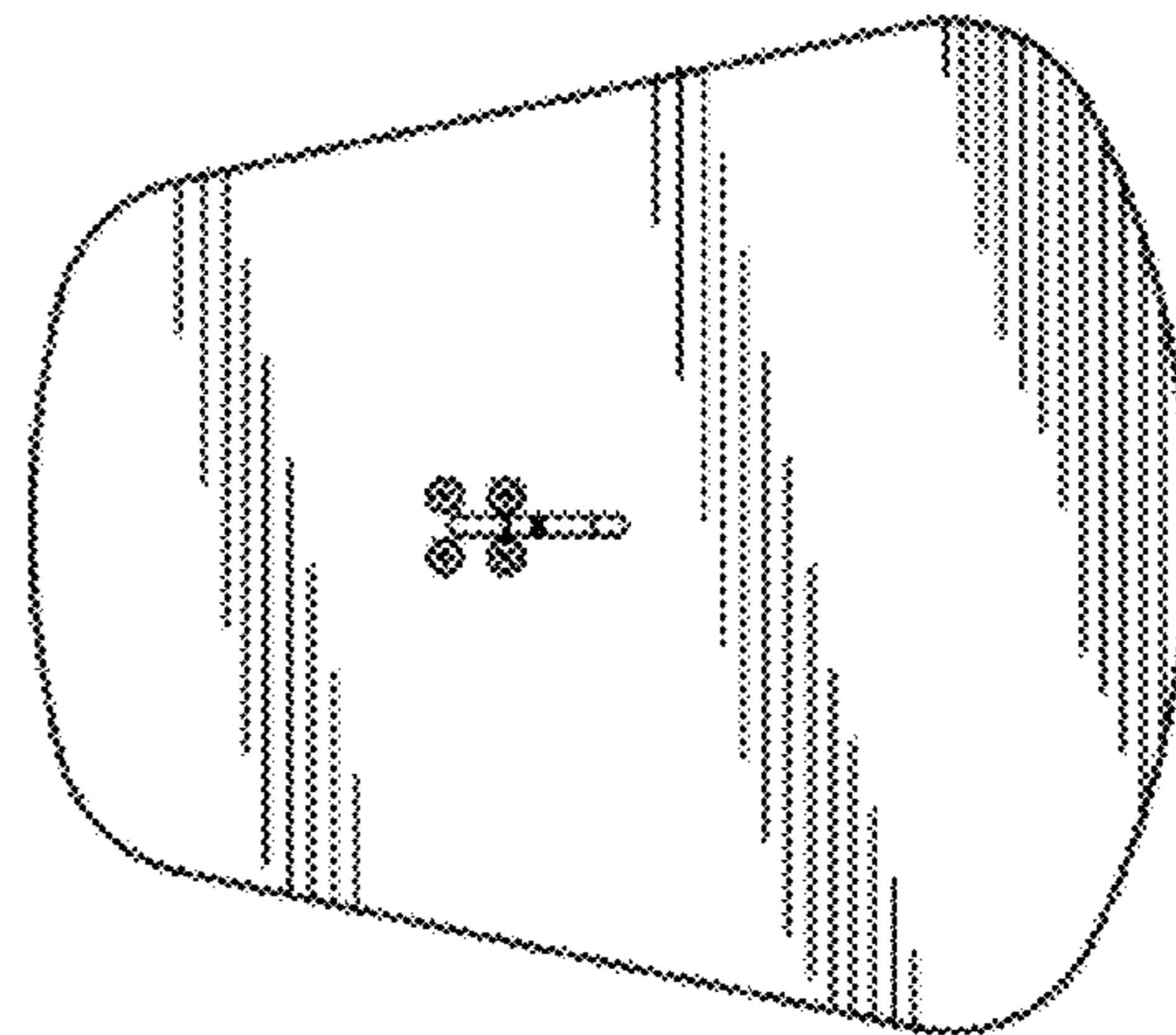


FIG. 14



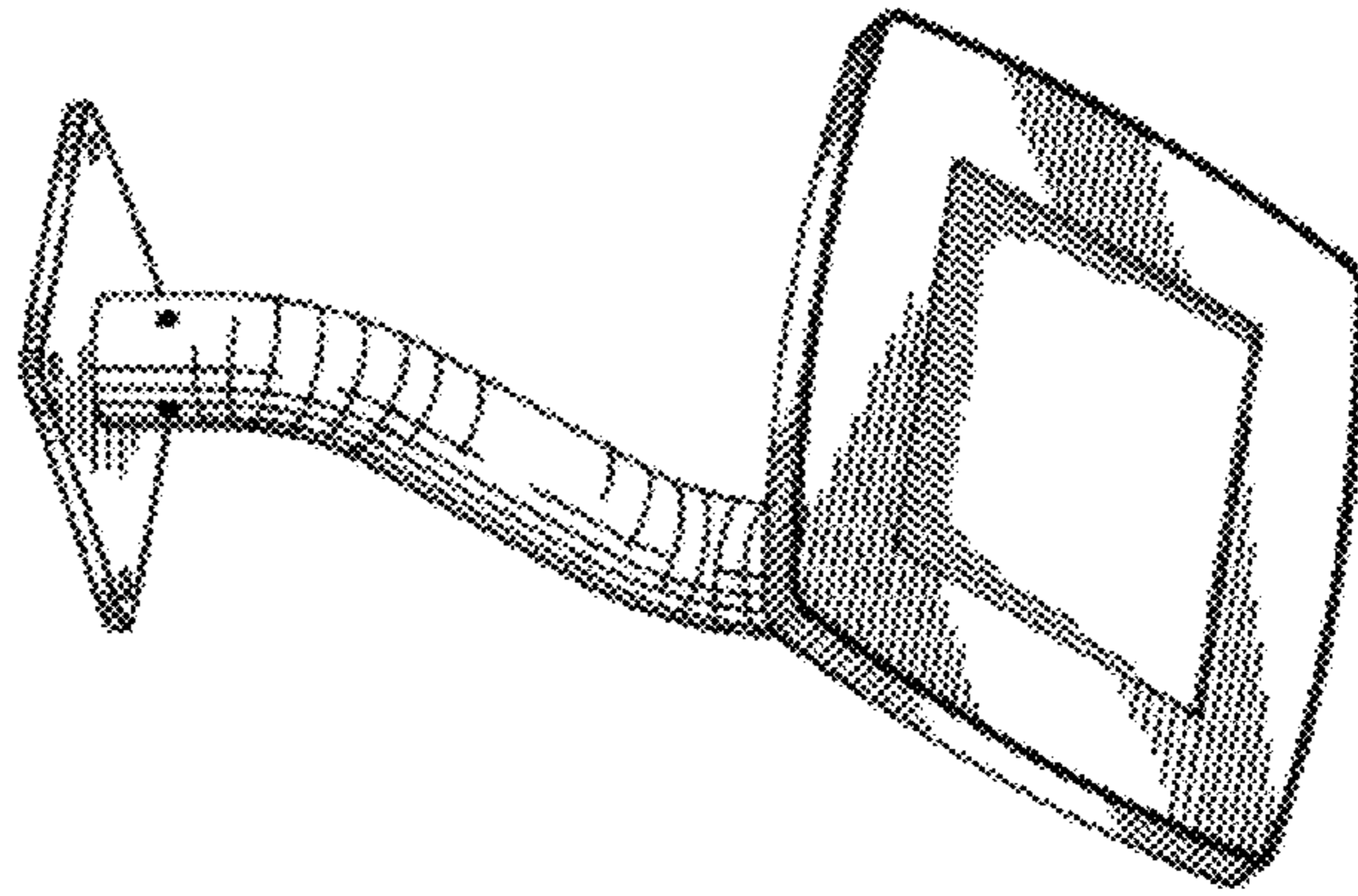


FIG. 15

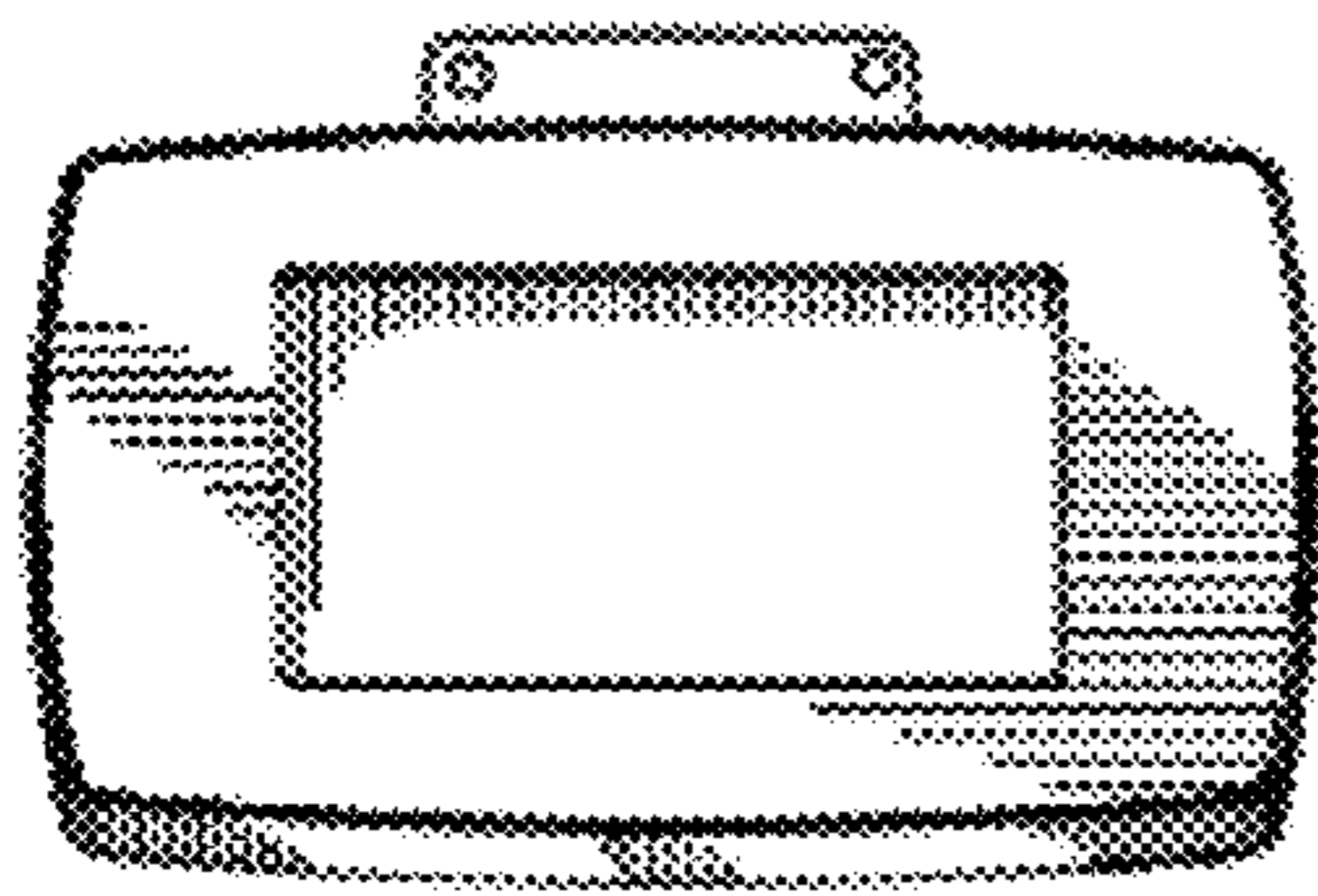


FIG. 16

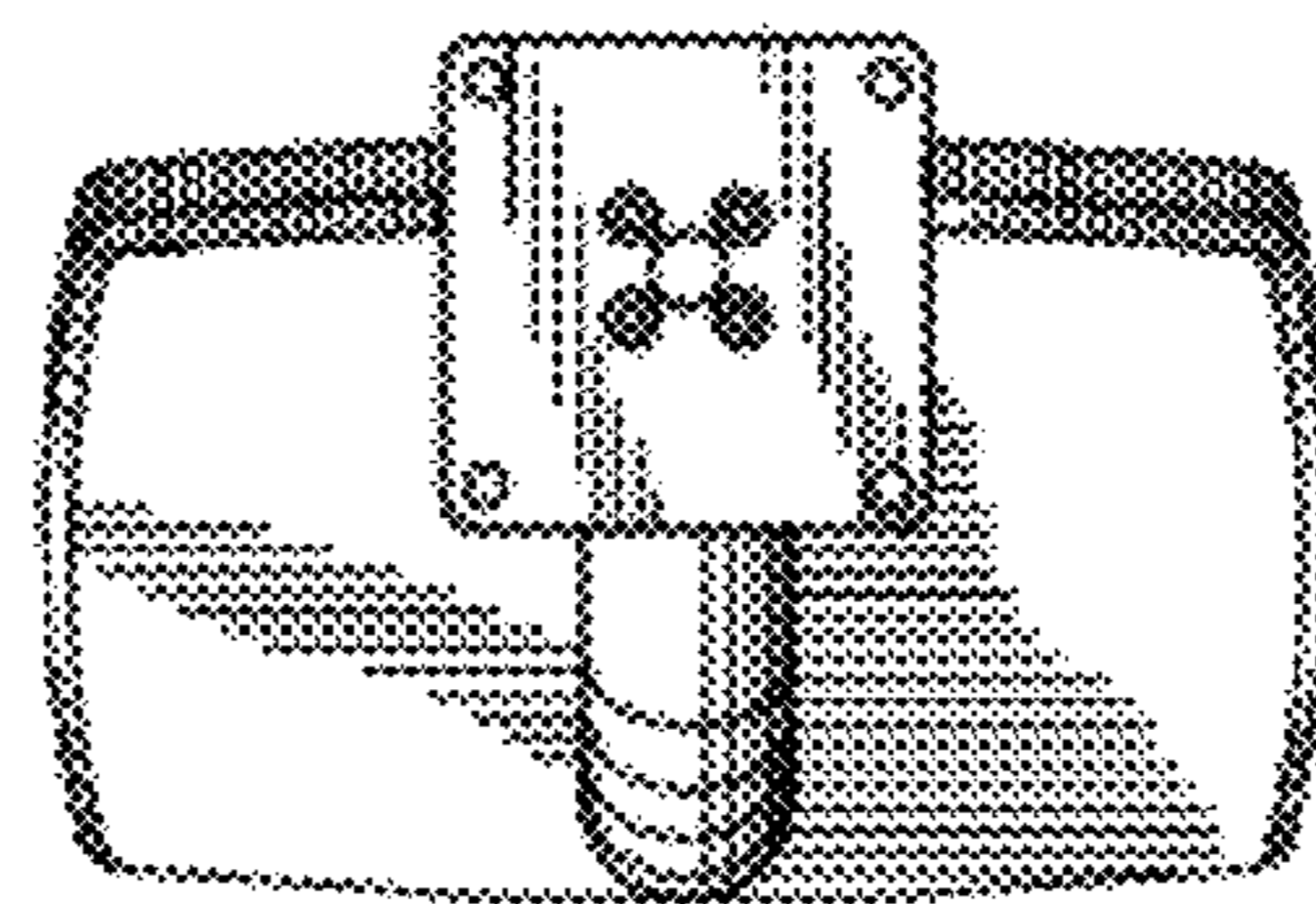


FIG. 17

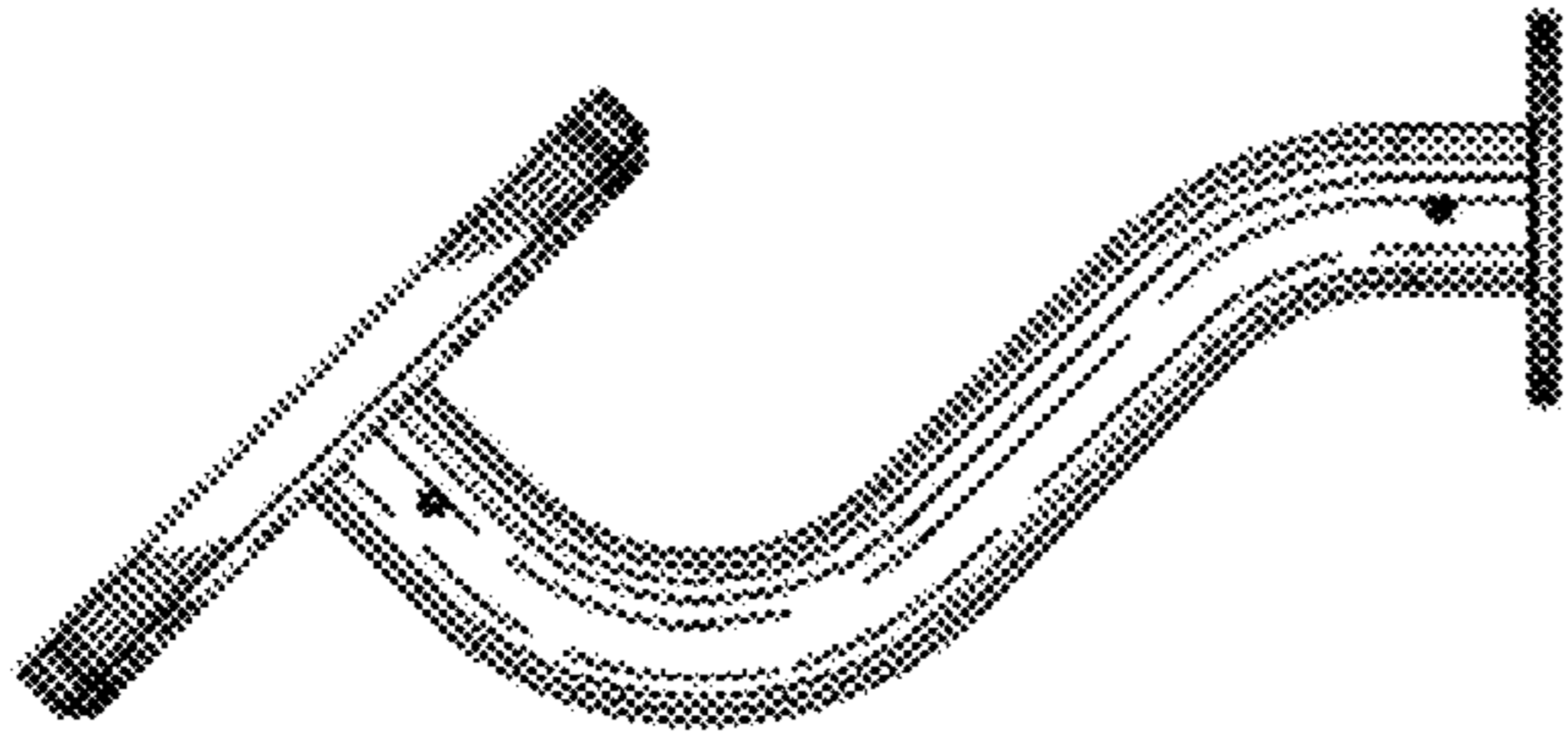


FIG. 18

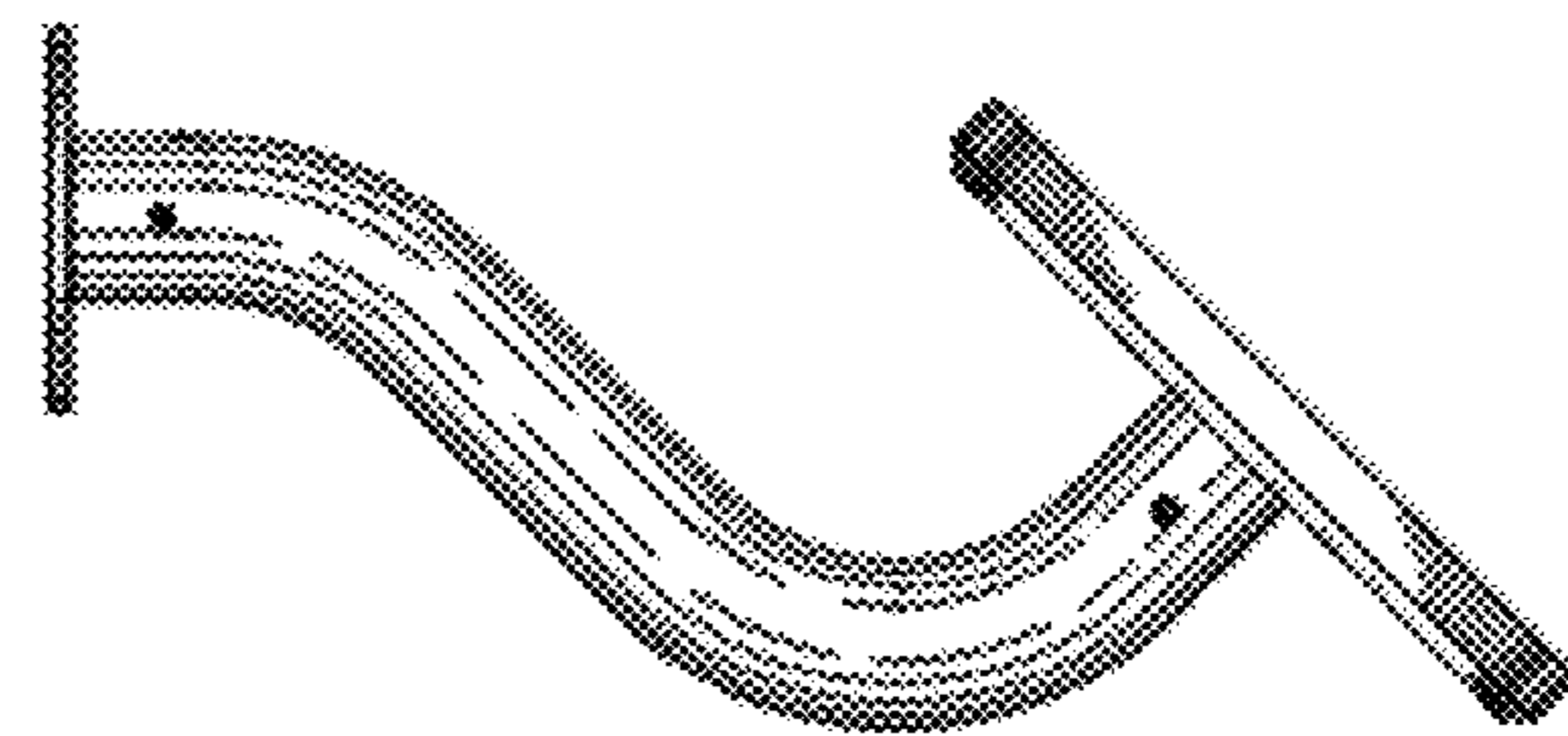


FIG. 19

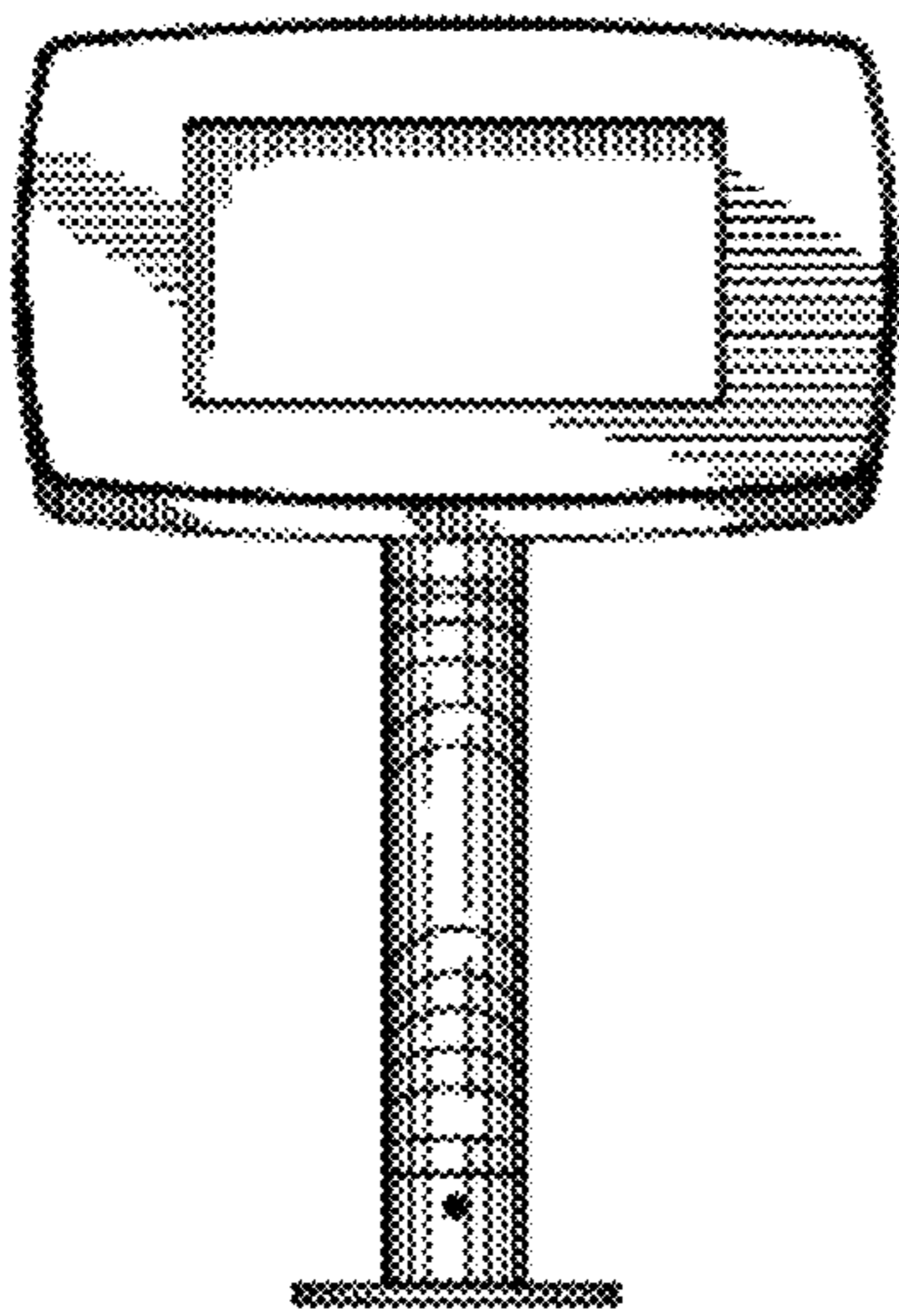


FIG. 20

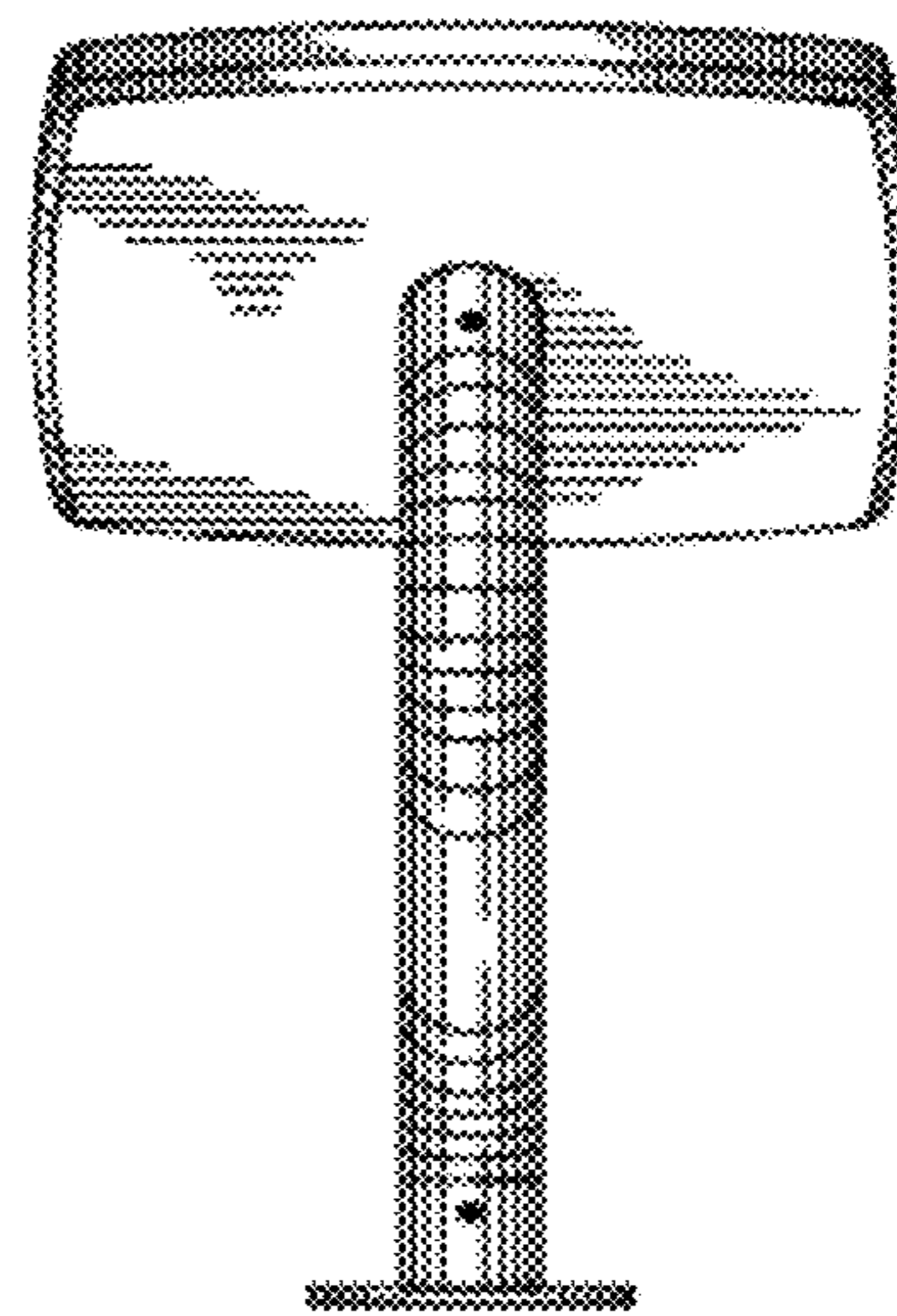


FIG. 21